

US00D795782S

(12) **United States Design Patent** (10) **Patent No.:** **US D795,782 S**  
**Conrad** (45) **Date of Patent:** **\*\* Aug. 29, 2017**

(54) **MIDDLE RAIL FOR A WATERCRAFT**  
(71) Applicant: **Premier Marine, Inc.**, Wyoming, MN (US)  
(72) Inventor: **Kristie Conrad**, Cambridge, MN (US)  
(73) Assignee: **Premier Marine, Inc.**, Wyoming, MN (US)  
(\*\*) Term: **15 Years**

D499,494 S 12/2004 Tjakra et al.  
6,895,887 B2 \* 5/2005 Raiter ..... B63B 17/00  
114/367  
D509,906 S 9/2005 Enersen  
D535,404 S \* 1/2007 Bordewyk ..... D25/38.1  
D536,098 S 1/2007 Walker  
D560,823 S 1/2008 Holland  
D610,715 S 2/2010 Koehn  
D661,813 S 6/2012 Walker  
D679,383 S \* 4/2013 Morton ..... D24/124  
D691,403 S \* 10/2013 Hankamp ..... D6/682.3  
D732,205 S 6/2015 Campbell et al.  
9,334,023 B2 \* 5/2016 Admire ..... B63B 29/00  
2007/0022938 A1 2/2007 Fishburn

(21) Appl. No.: **29/526,837**

\* cited by examiner

(22) Filed: **May 13, 2015**

*Primary Examiner* — Cynthia M Chin

(51) **LOC (10) Cl.** ..... **12-06**

(74) *Attorney, Agent, or Firm* — Winthrop & Weinstine, P.A.

(52) **U.S. Cl.**

USPC ..... **D12/317; D25/38.1**

(58) **Field of Classification Search**

USPC ..... D12/300–318; D25/38.1, 41.1, 124;  
114/61.1, 61.14, 61.2, 61.22, 61.24, 343,  
114/352, 355, 356, 357, 361, 364

CPC ..... B63B 1/12; B63B 1/121; B63B 1/125;  
B63B 17/02; B63B 17/026; B63B 17/04

See application file for complete search history.

(57) **CLAIM**

The ornamental design for a middle rail for a watercraft, as shown and described.

**DESCRIPTION**

FIG. 1 is a perspective view of a middle rail for a watercraft; FIG. 2 is a cross-sectional/end view of FIG. 1; FIG. 3 is a front view of FIG. 1; FIG. 4 is a rear view of FIG. 1; FIG. 5 is a top view of FIG. 1; FIG. 6 is a cross-sectional/end view of FIG. 1 as viewed from opposite the view of FIG. 2; and, FIG. 7 is a bottom view of FIG. 1.

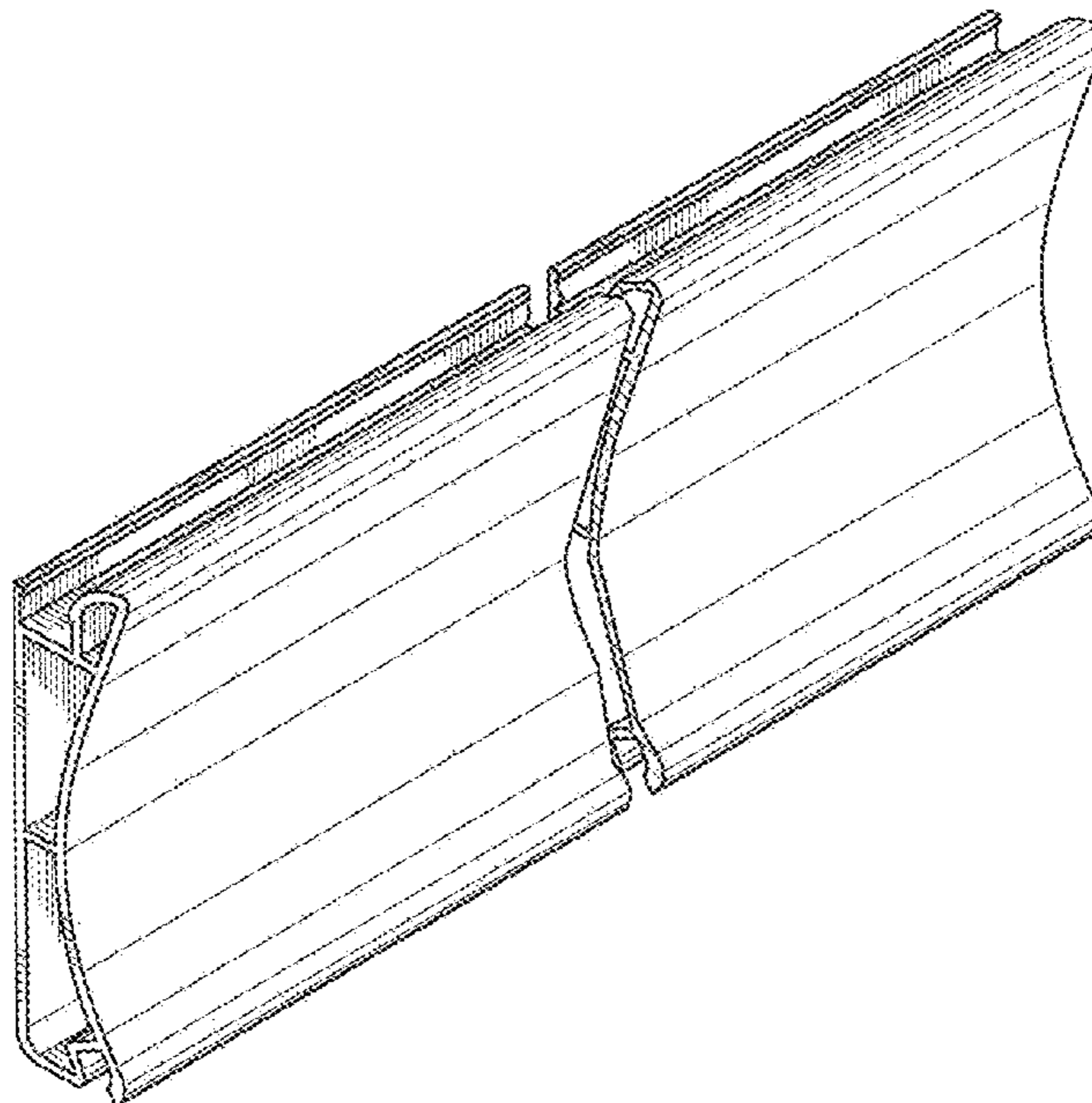
The broken away symbols in the drawings indicate the appearance of any portion of the article between the break lines forms no part of the claimed design.

**1 Claim, 3 Drawing Sheets**

(56) **References Cited**

U.S. PATENT DOCUMENTS

D258,279 S 2/1981 Moore  
4,738,215 A \* 4/1988 McMahon ..... B63B 59/02  
114/219  
D335,353 S 5/1993 Baker  
5,706,753 A 1/1998 Menne et al.  
5,706,754 A 1/1998 Menne, Jr.  
D415,075 S 10/1999 Lan  
6,234,098 B1 5/2001 Biedenweg et al.  
D455,634 S 4/2002 Hummel et al.



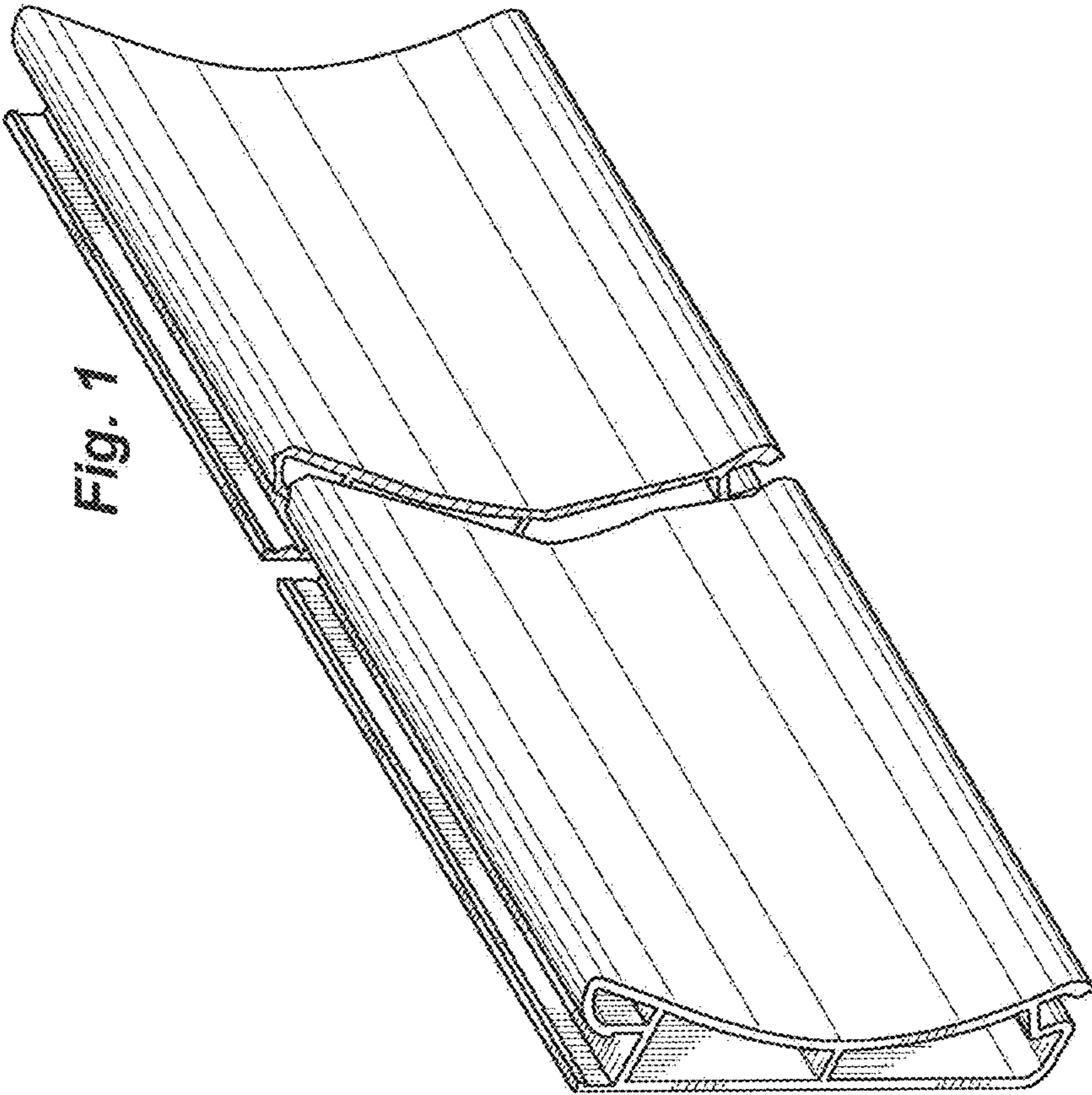


Fig. 1

