



US00D795781S

(12) **United States Design Patent**  
**Itou et al.**

(10) **Patent No.:** **US D795,781 S**  
(45) **Date of Patent:** **\*\* Aug. 29, 2017**

(54) **CABLE RETAINING DEVICE FOR VEHICLE ANTENNA**

D531,489 S \* 11/2006 Concari ..... D8/373  
D578,521 S \* 10/2008 Sergi ..... D14/238  
7,636,066 B2 \* 12/2009 Fujimoto ..... H01Q 1/12  
343/713  
8,242,968 B2 \* 8/2012 Conrad ..... H01Q 1/42  
343/713

(71) Applicants: **DAIWA KASEI KOGYO KABUSHIKI KAISHA**, Okazaki-shi, Aichi-ken (JP); **TOYOTA JIDOSHA KABUSHIKI KAISHA**, Aichi-ken (JP)

(Continued)

(72) Inventors: **Norihito Itou**, Okazaki (JP); **Kenji Ohashi**, Okazaki (JP); **Koumei Kobayashi**, Okazaki (JP); **Yuki Tomida**, Toyokawa (JP)

*Primary Examiner* — Sandra Snapp  
*Assistant Examiner* — Ieisha Price  
(74) *Attorney, Agent, or Firm* — Ladas & Parry LLP

(73) Assignees: **DAIWA KASEI KOGYO KABUSHIKI KAISHA**, Okazaki-Shi, Aichi-Ken (JP); **TOYOTA JIDOSHA KABUSHIKI KAISHA**, Toyota-Shi, Aichi-Ken (JP)

(57) **CLAIM**

The ornamental design for a cable retaining device for vehicle antenna, as shown and described.

(\*\*) Term: **14 Years**

**DESCRIPTION**

(21) Appl. No.: **29/515,018**

(22) Filed: **Jan. 20, 2015**

(30) **Foreign Application Priority Data**

Jul. 24, 2014 (JP) ..... 2014-016057

(51) **LOC (10) Cl.** ..... **12-06**

(52) **U.S. Cl.**  
USPC ..... **D12/223**

(58) **Field of Classification Search**  
USPC ..... D12/400, 415, 223; D8/347, 354, 355,  
D8/356, 373, 394, 395, 398, 499  
CPC ..... H01Q 1/12; H01Q 1/42; H01Q 1/3291;  
H01Q 1/325; H01Q 1/088  
See application file for complete search history.

FIG. 1 is a perspective view of a cable retaining device for vehicle antenna showing our new design;  
FIG. 2 is a perspective view thereof;  
FIG. 3 is a perspective view thereof;  
FIG. 4 is a front elevation view thereof;  
FIG. 5 is a rear elevation view thereof;  
FIG. 6 is a right side elevation view thereof;  
FIG. 7 is a left side elevation view thereof;  
FIG. 8 is a top plan view thereof;  
FIG. 9 is a bottom plan view thereof;  
FIG. 10 shows the claimed design in the environment in which it is used;  
FIG. 11 shows the claimed design in the environment in which it is used;  
FIG. 12 shows the claimed design in the environment in which it is used; and,  
FIG. 13 shows the claimed design in the environment in which it is used.

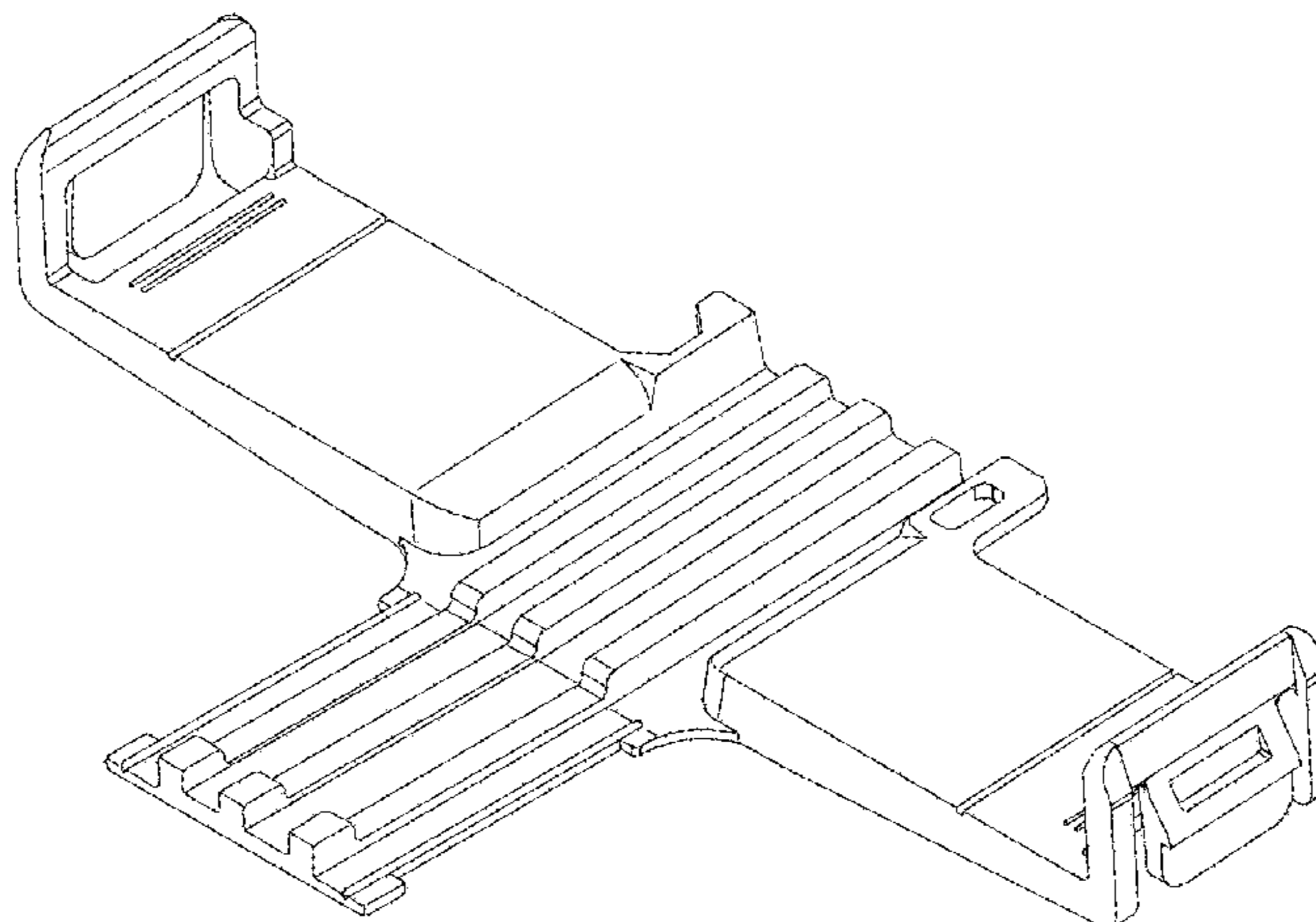
(56) **References Cited**

**U.S. PATENT DOCUMENTS**

5,445,355 A \* 8/1995 Chen ..... H01Q 1/088  
24/540  
D488,370 S \* 4/2004 Sivertsen ..... D8/354

The broken lines rendered in FIGS. 10-13 illustrates the environment of the claimed design and forms no part thereof.

**1 Claim, 6 Drawing Sheets**



(56)

**References Cited**

U.S. PATENT DOCUMENTS

D670,703 S *	11/2012	Hasbrook .....	D14/447
D726,175 S *	4/2015	Tsai .....	D12/415
2006/0038727 A1 *	2/2006	Ikeda .....	H01Q 1/32 343/713
2006/0262025 A1 *	11/2006	Sergi .....	H01Q 1/12 343/793

\* cited by examiner

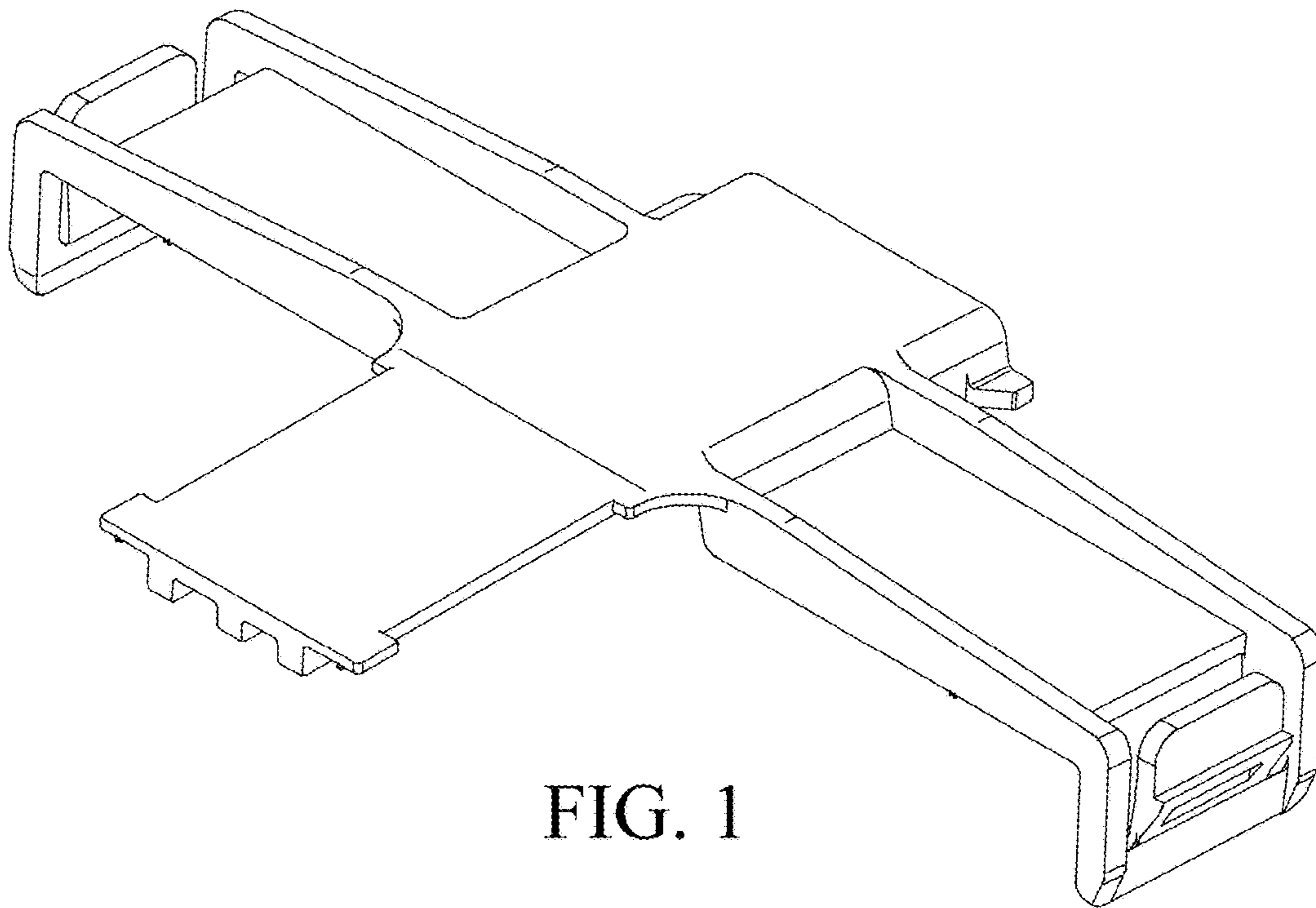


FIG. 1

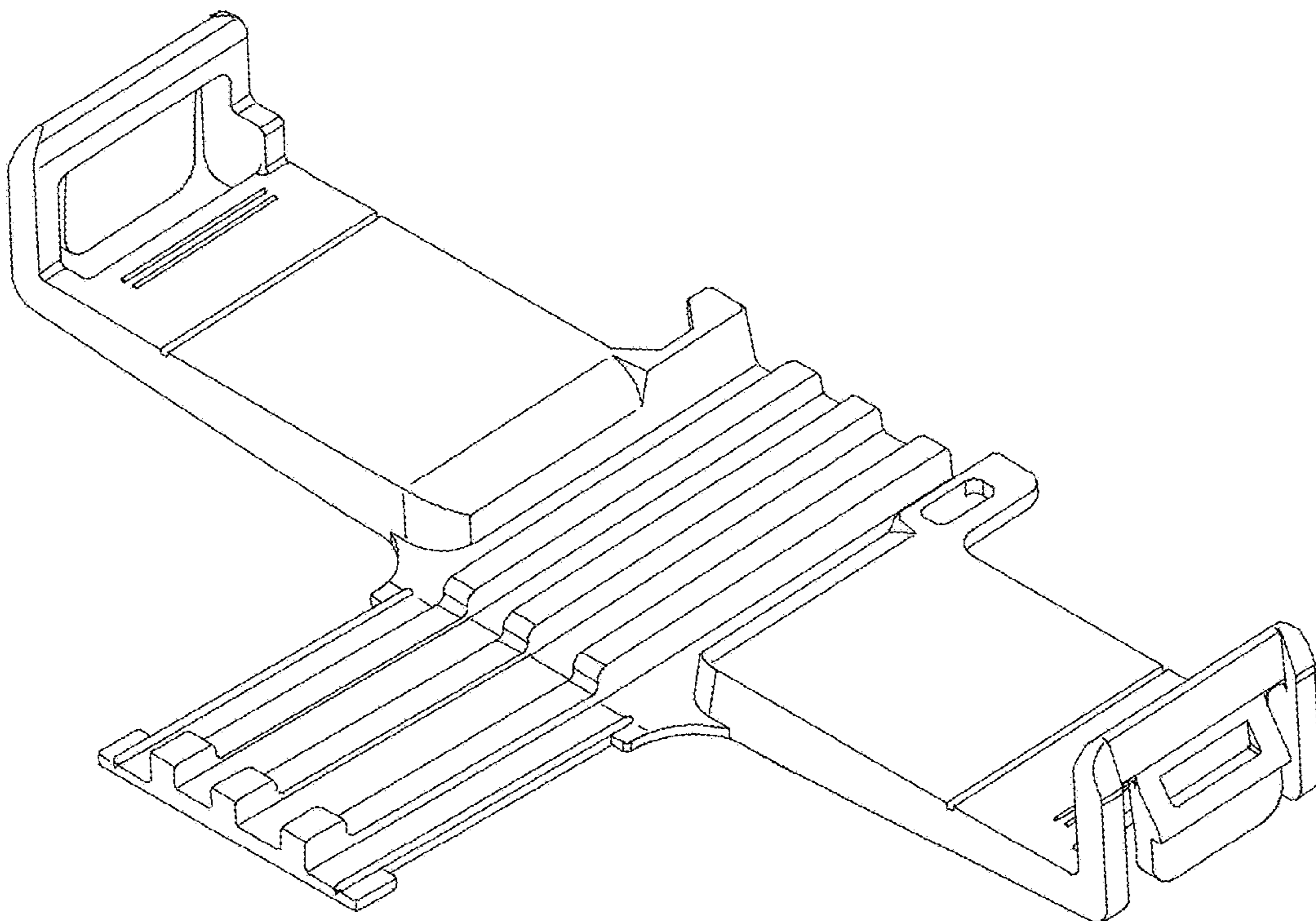


FIG. 2

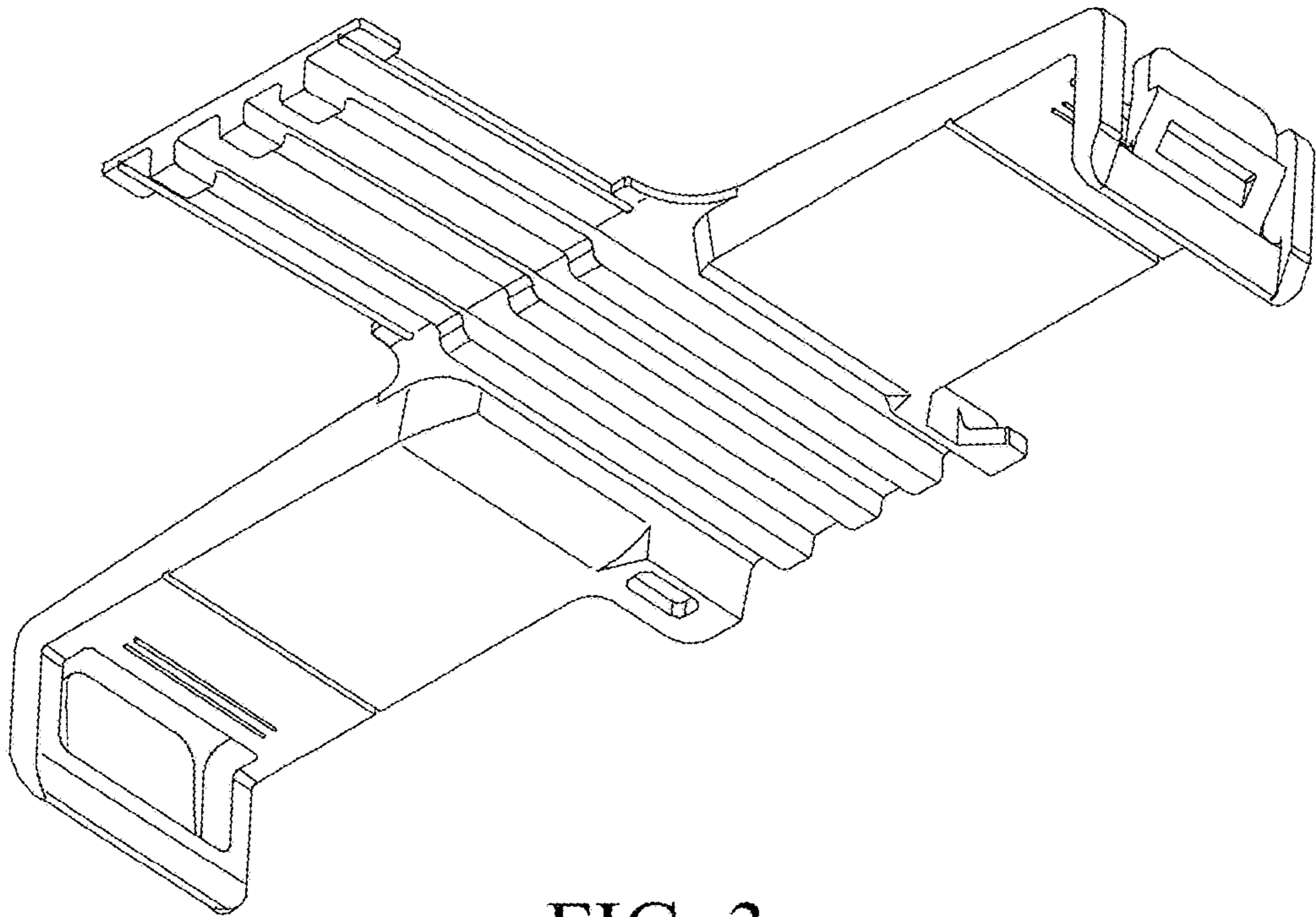


FIG. 3

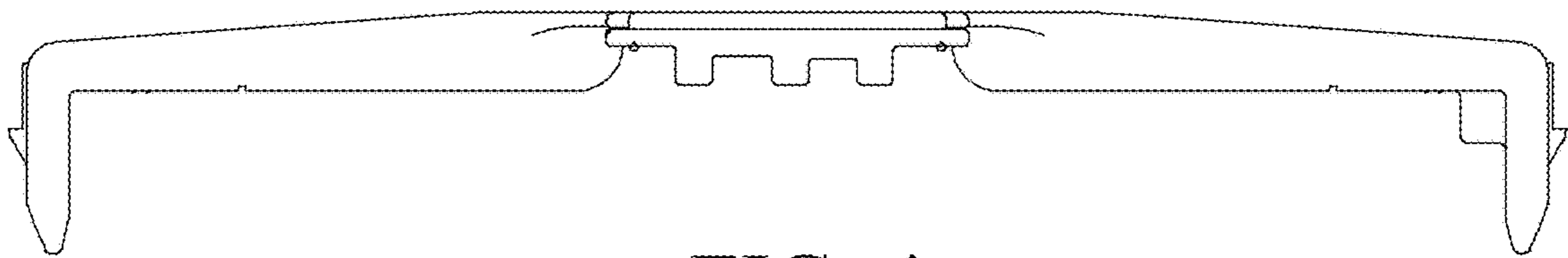


FIG. 4



FIG. 5



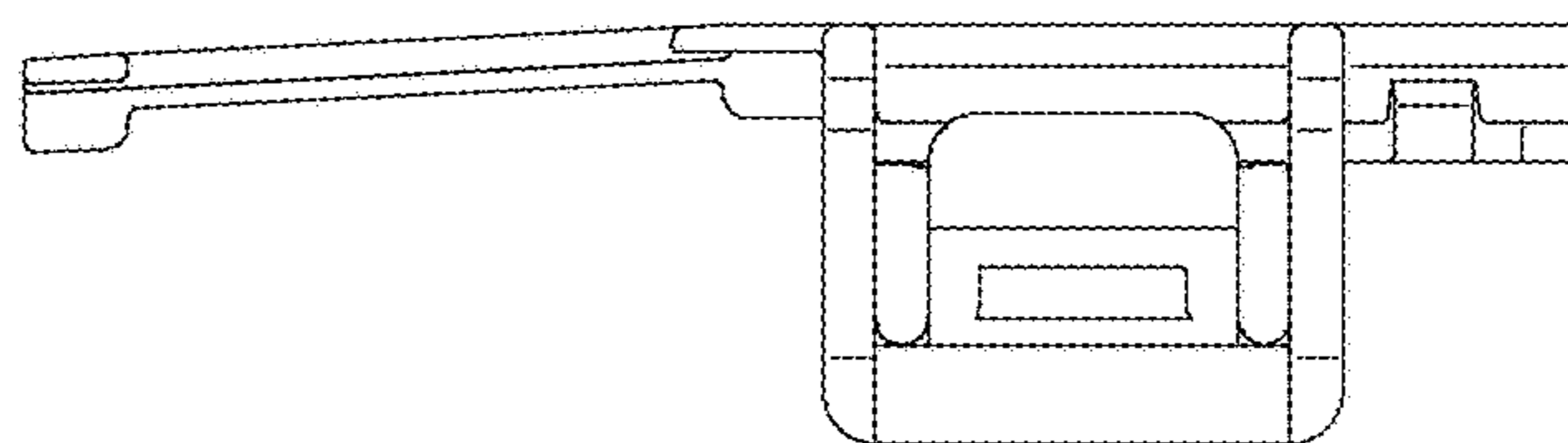


FIG. 6

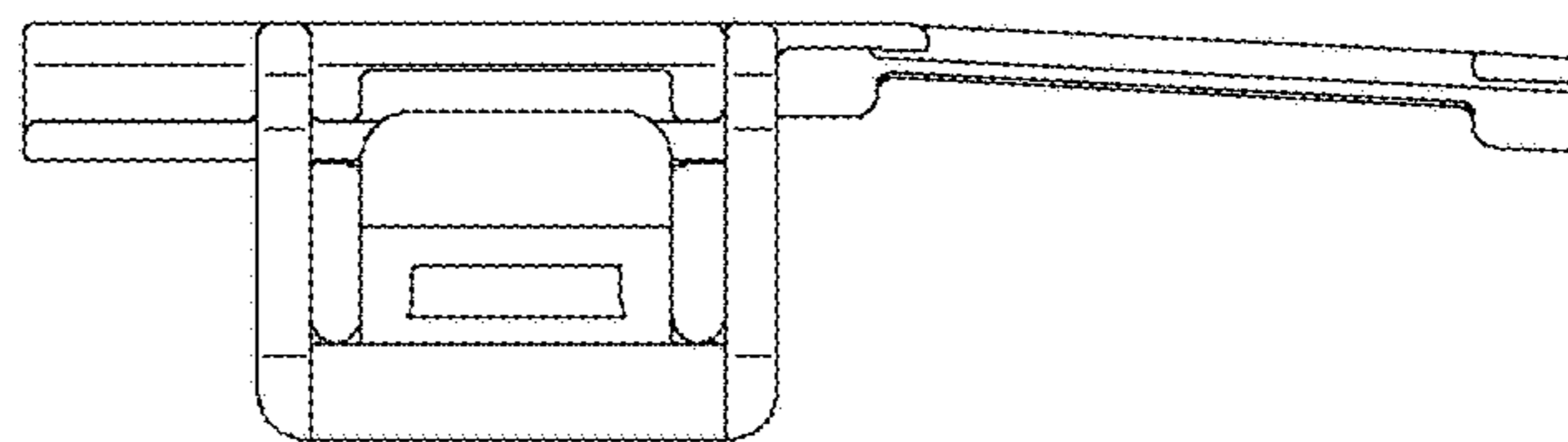


FIG. 7

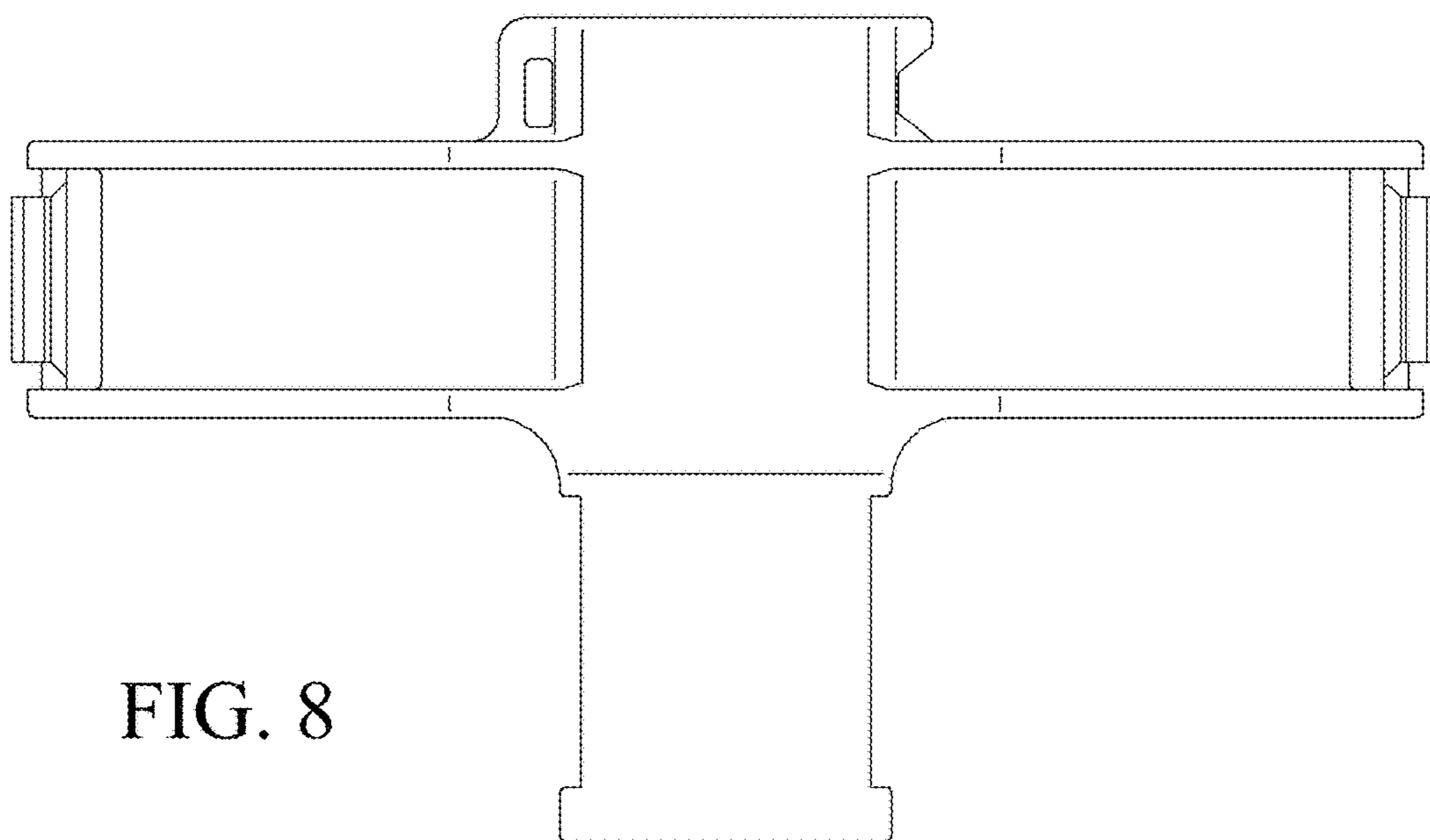


FIG. 8

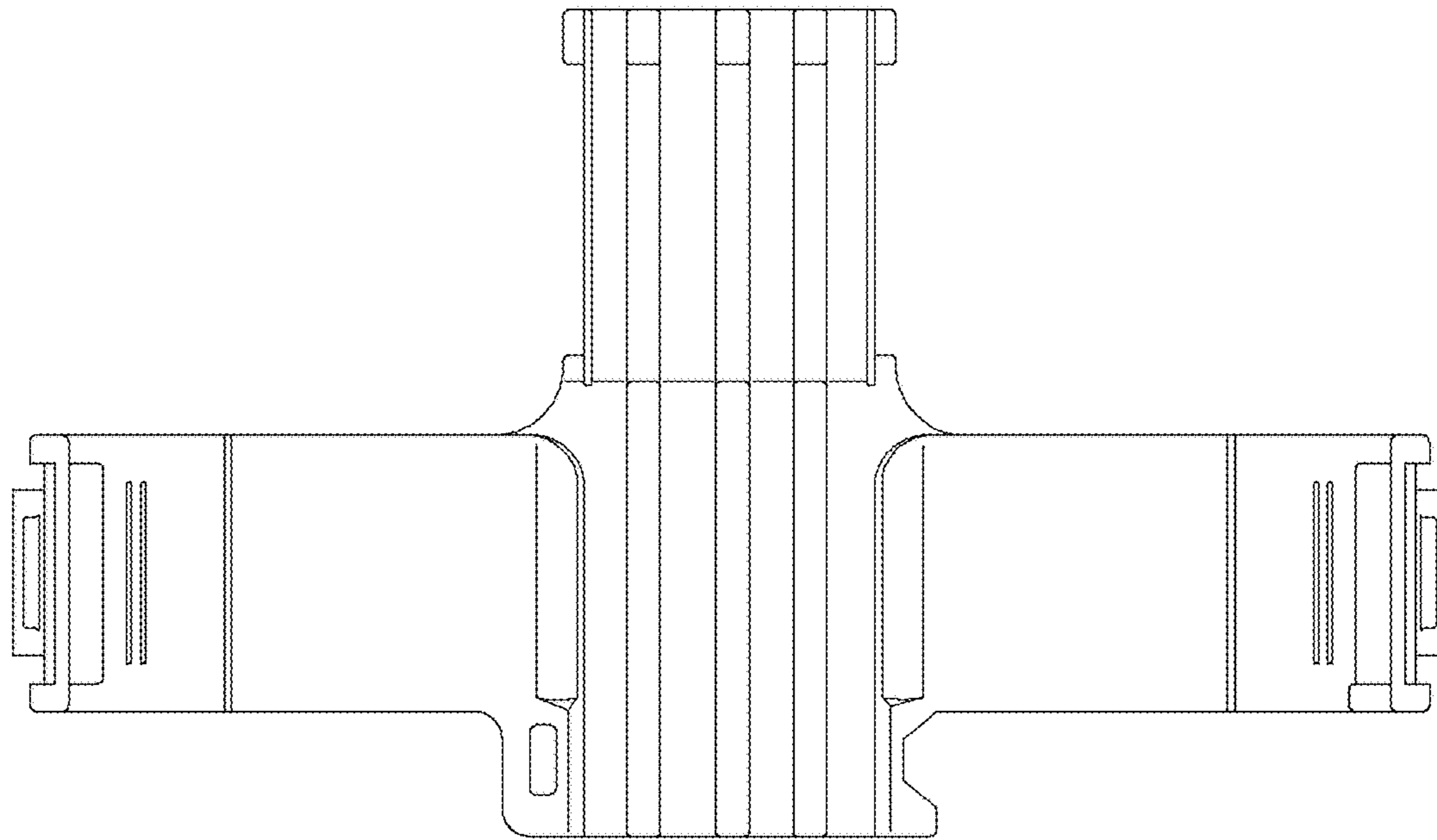


FIG. 9

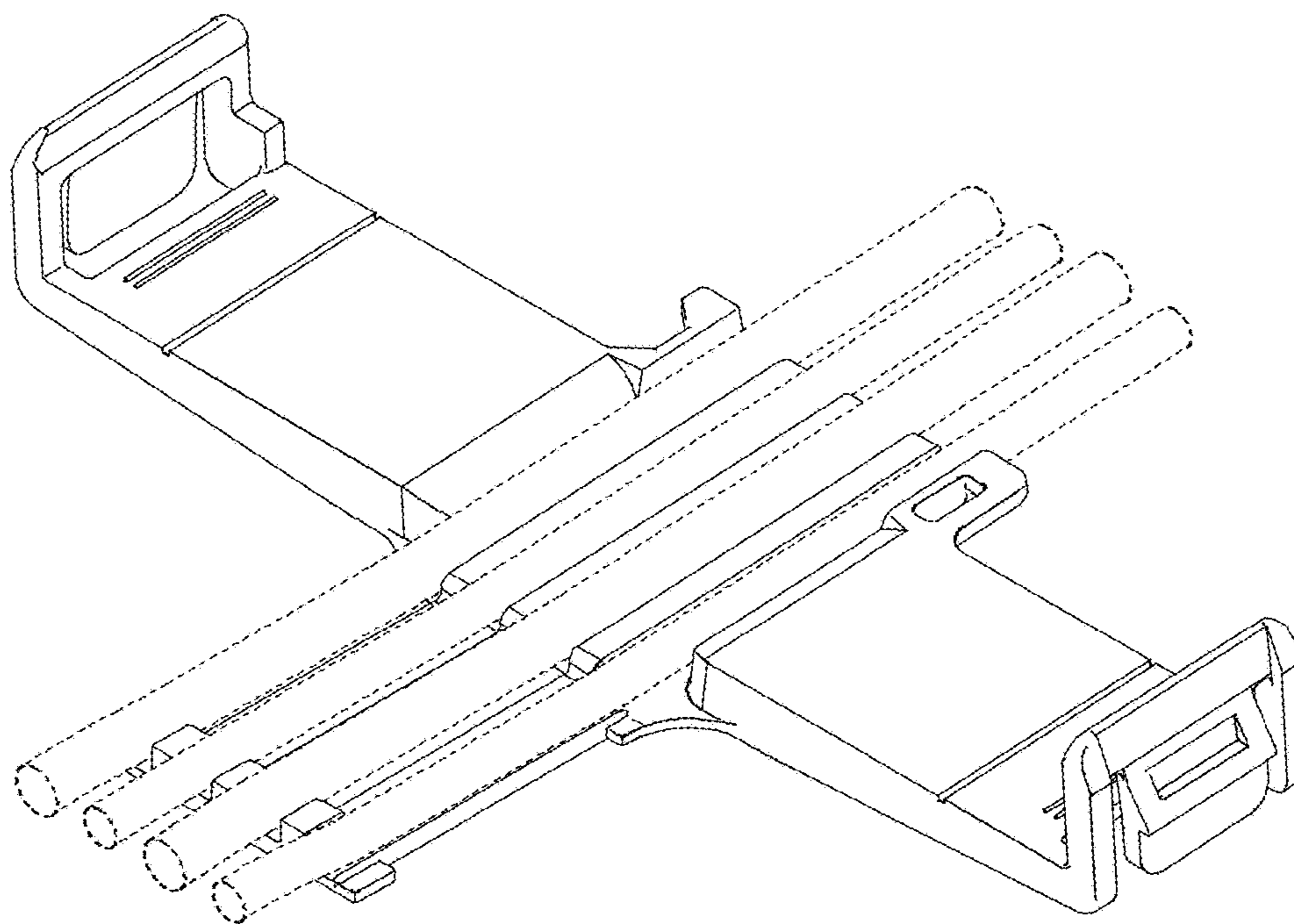


FIG. 10

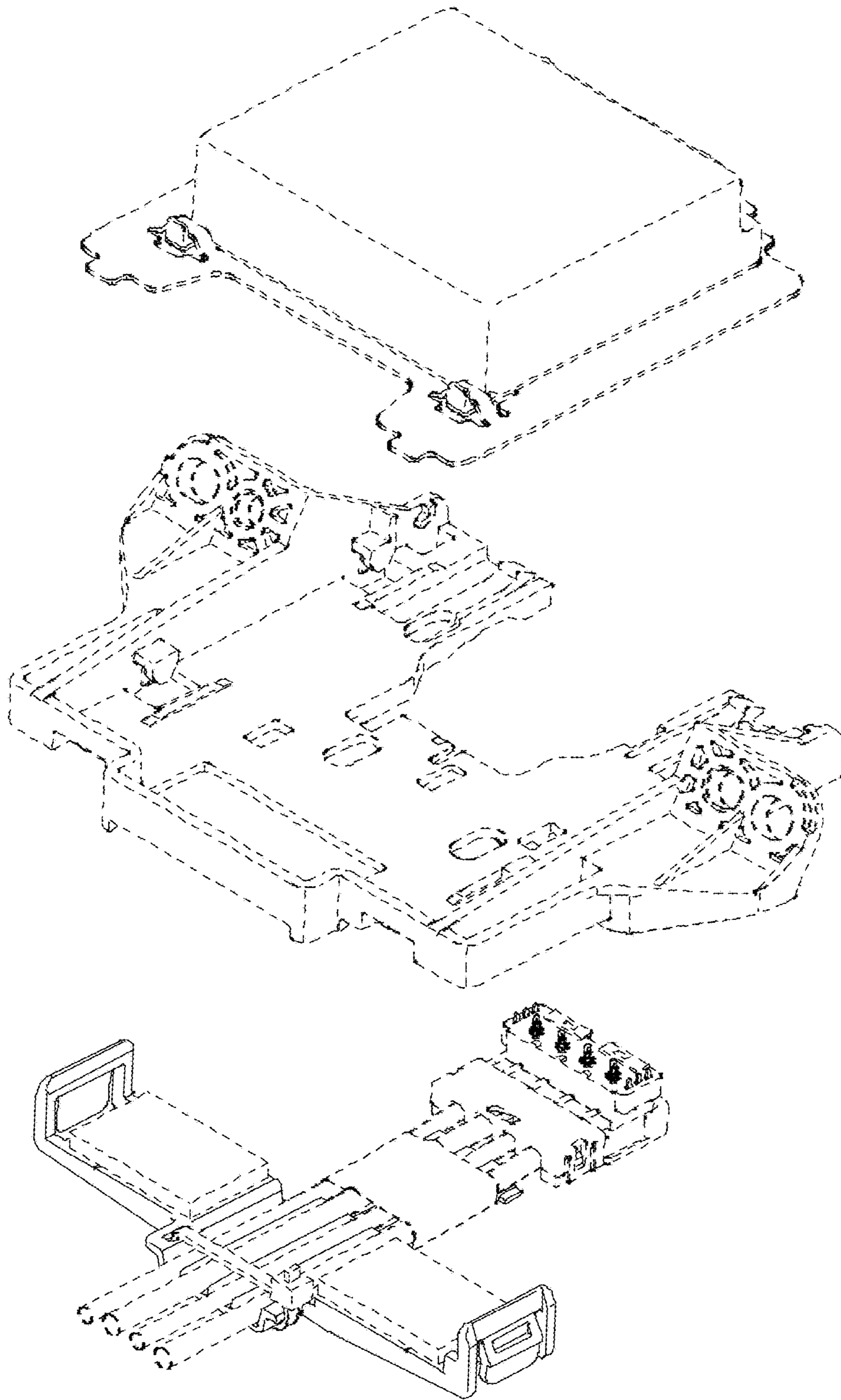


FIG. 11

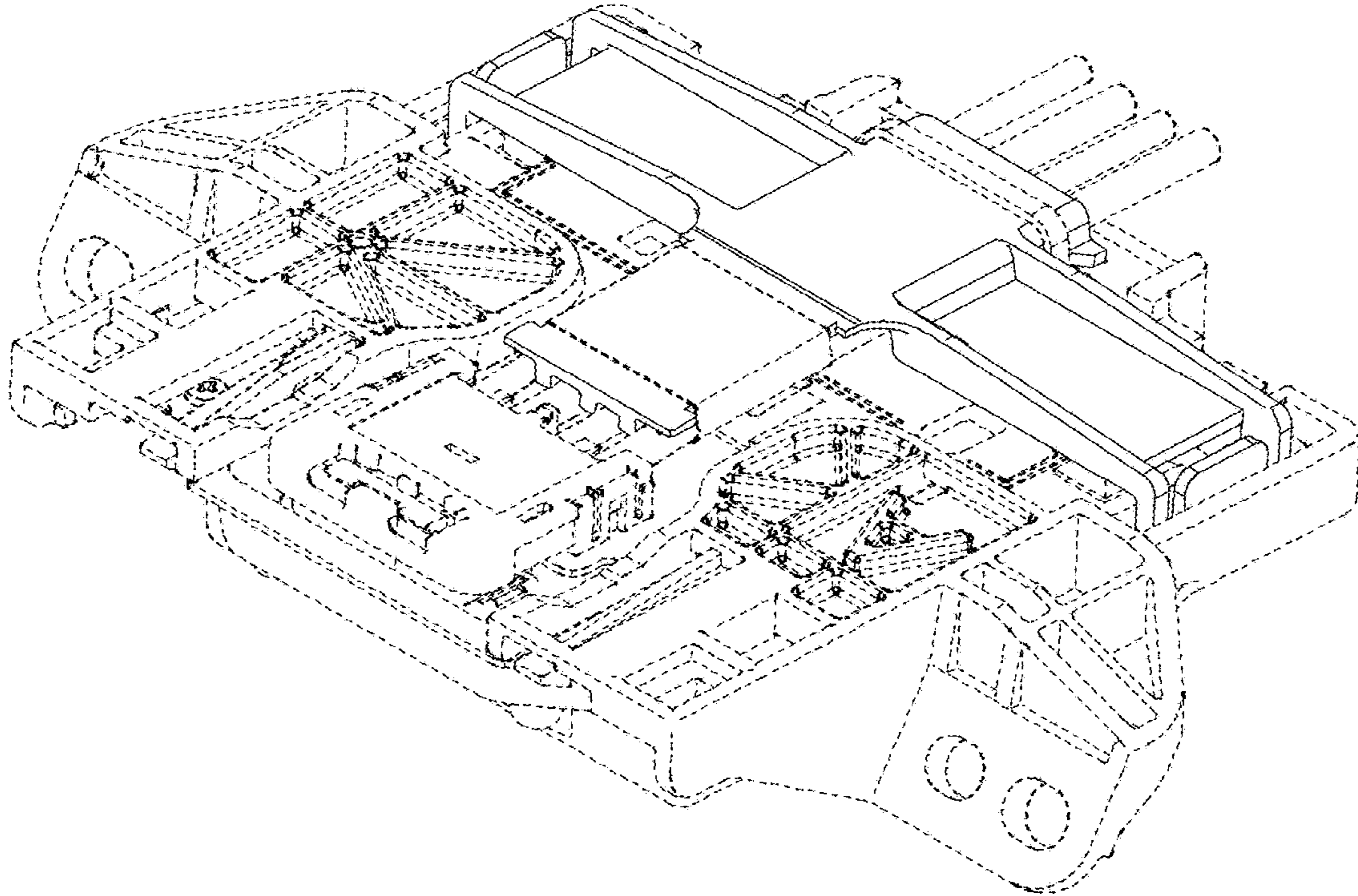


FIG. 12

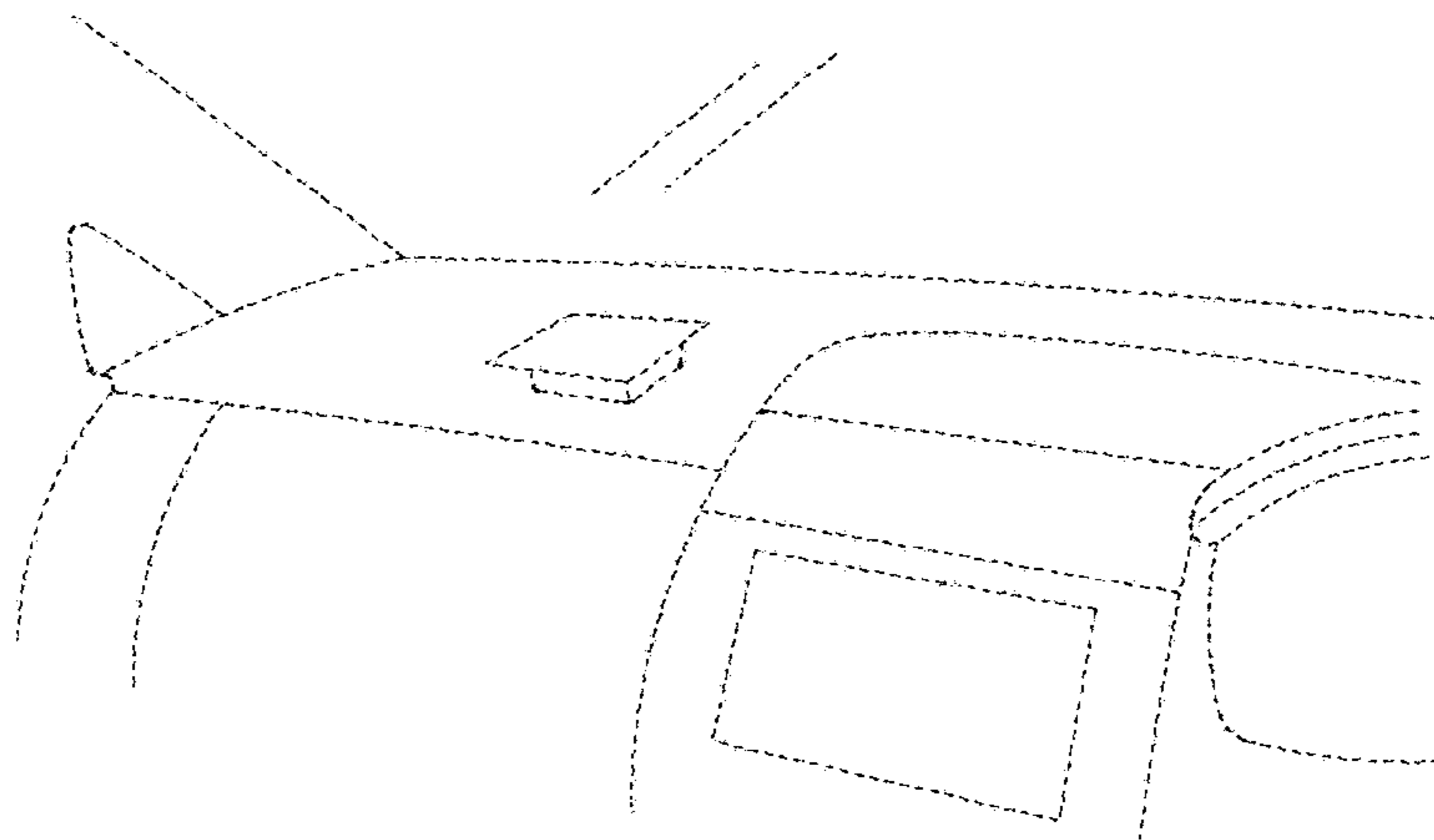


FIG. 13