



US00D795776S

(12) **United States Design Patent**
Taylor

(10) **Patent No.:** **US D795,776 S**

(45) **Date of Patent:** **** Aug. 29, 2017**

(54) **WHEEL**

(71) Applicant: **Fredrick Taylor**, Rome, GA (US)

(72) Inventor: **Fredrick Taylor**, Rome, GA (US)

(**) Term: **15 Years**

(21) Appl. No.: **29/558,375**

(22) Filed: **Mar. 17, 2016**

(51) **LOC (10) Cl.** **12-16**

(52) **U.S. Cl.**
USPC **D12/211**

(58) **Field of Classification Search**
USPC D12/204–213
CPC B60B 7/00; B60B 7/02; B60B 7/04; B60B 7/01; B60B 7/06; B60B 3/02; B60B 3/04; B60B 3/06; B60B 3/10; B60B 1/00; B60B 1/08; B60B 1/10; B60B 1/12
See application file for complete search history.

(56) **References Cited**

U.S. PATENT DOCUMENTS

D93,769 S * 11/1934 Horn D12/211
D230,726 S * 3/1974 Cravits D12/211

D256,456 S * 8/1980 Blanchard D12/211
D267,563 S * 1/1983 Hayashi D12/211
D286,869 S * 11/1986 Hedlund D12/211
D432,482 S * 10/2000 Hodges D12/211
D444,117 S * 6/2001 Manton D12/211
D465,759 S * 11/2002 Leutz D12/211
D476,939 S * 7/2003 Francis D12/209
D536,293 S * 2/2007 Brouillette D12/209
D546,261 S * 7/2007 Brouillette D12/209
D748,028 S * 1/2016 Kermelk D12/209
D756,884 S * 5/2016 Denike D12/211

* cited by examiner

Primary Examiner — Stacia Cadmus

(74) *Attorney, Agent, or Firm* — Thomas | Horstemeyer, LLP

(57) **CLAIM**

The ornamental design for a wheel, as shown and described.

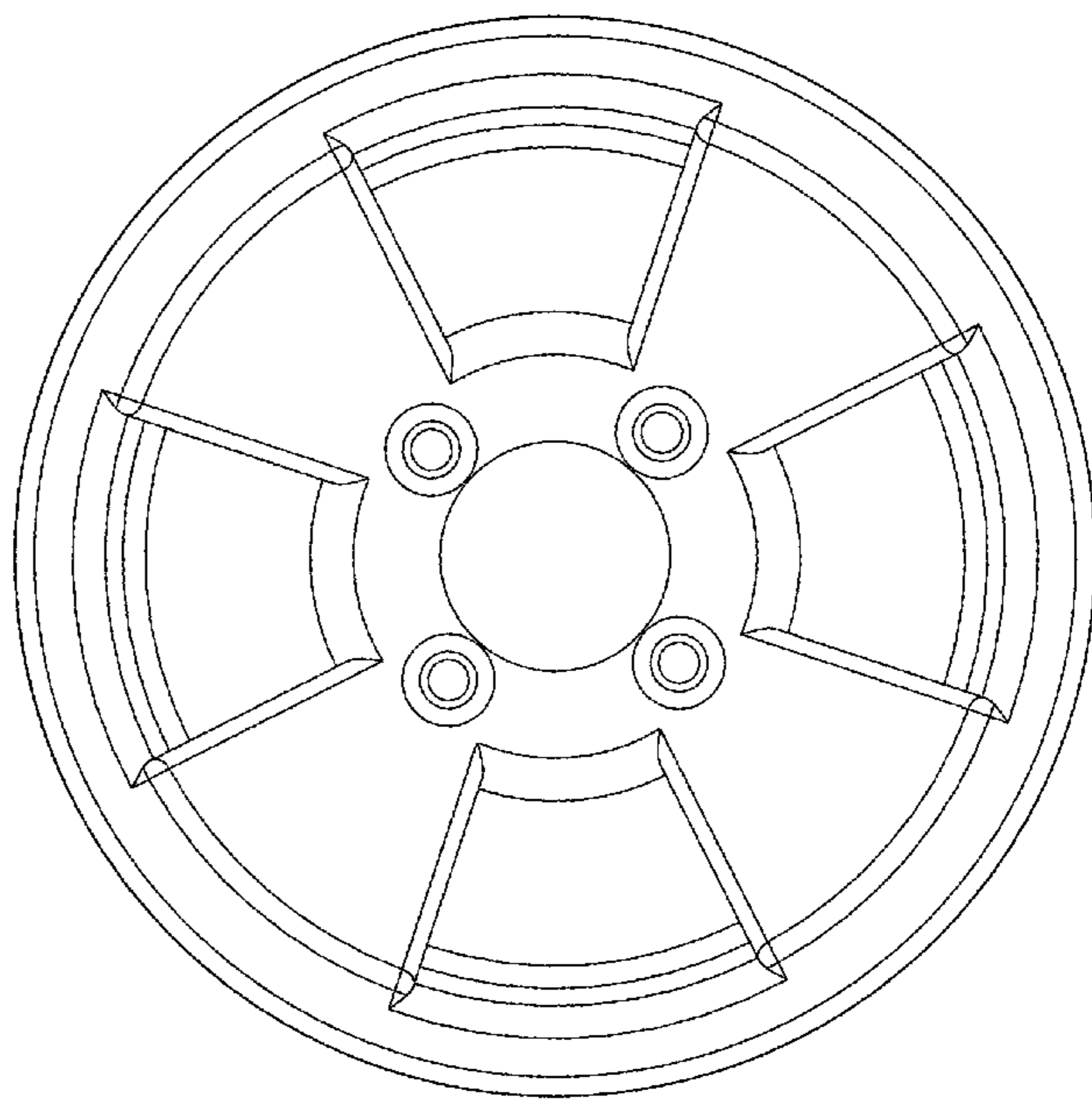
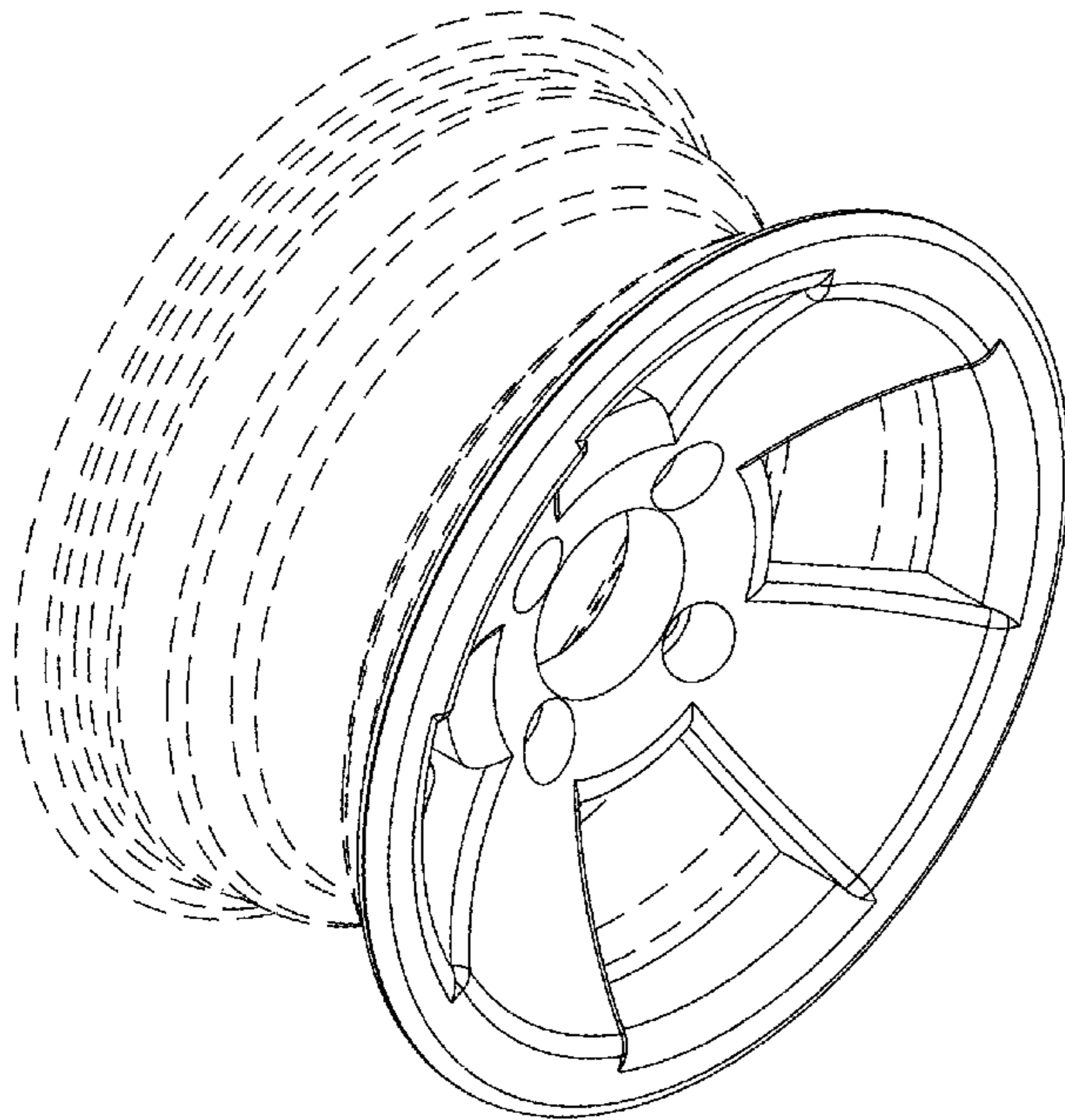
DESCRIPTION

FIG. 1 is a perspective view of a wheel, showing my new design; and,

FIG. 2 is a front view thereof.

The broken line showing of the rear portion of the wheel is included for the purpose of illustrating environment and forms no part of the claimed design.

1 Claim, 2 Drawing Sheets



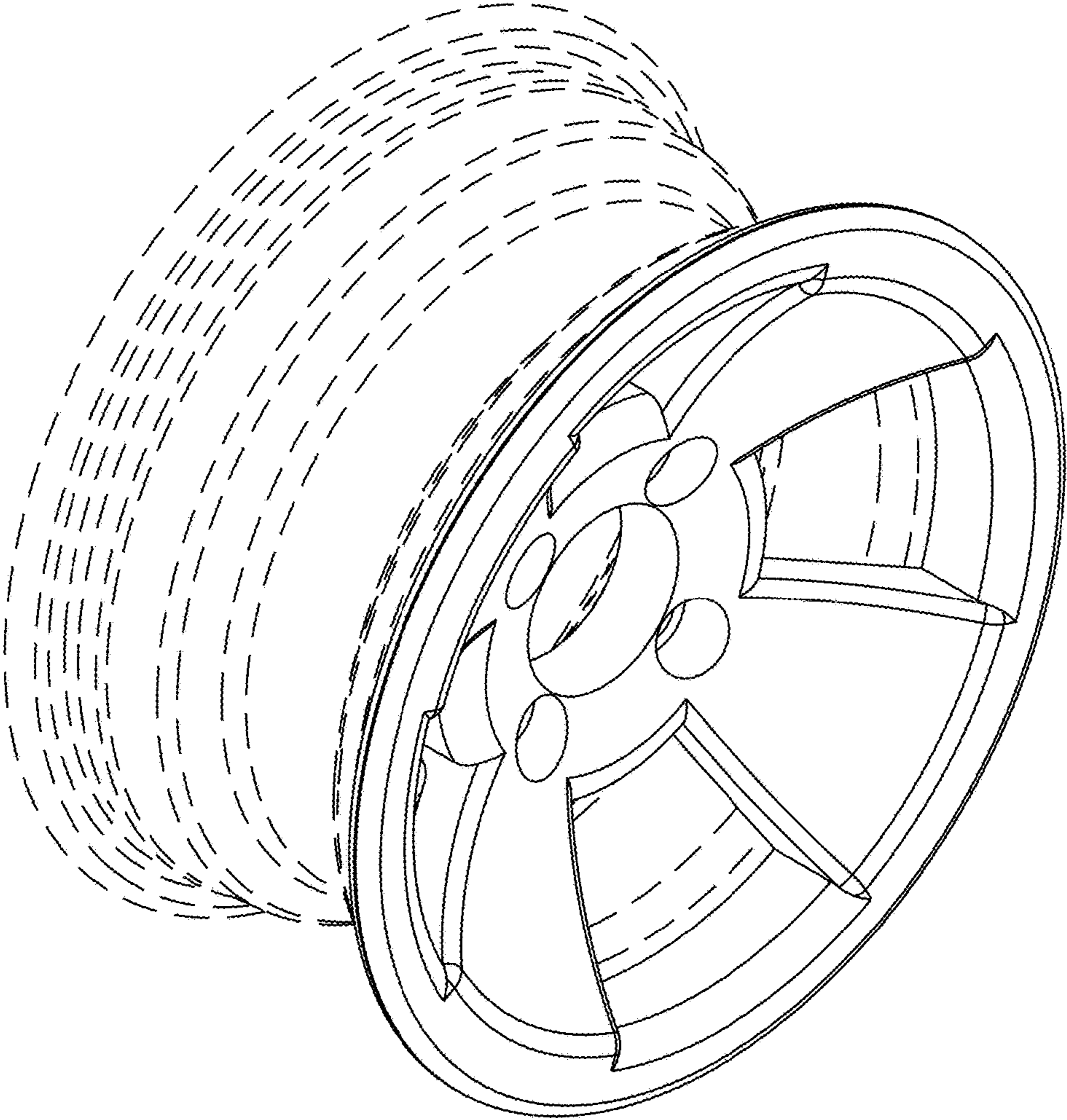


FIG. 1

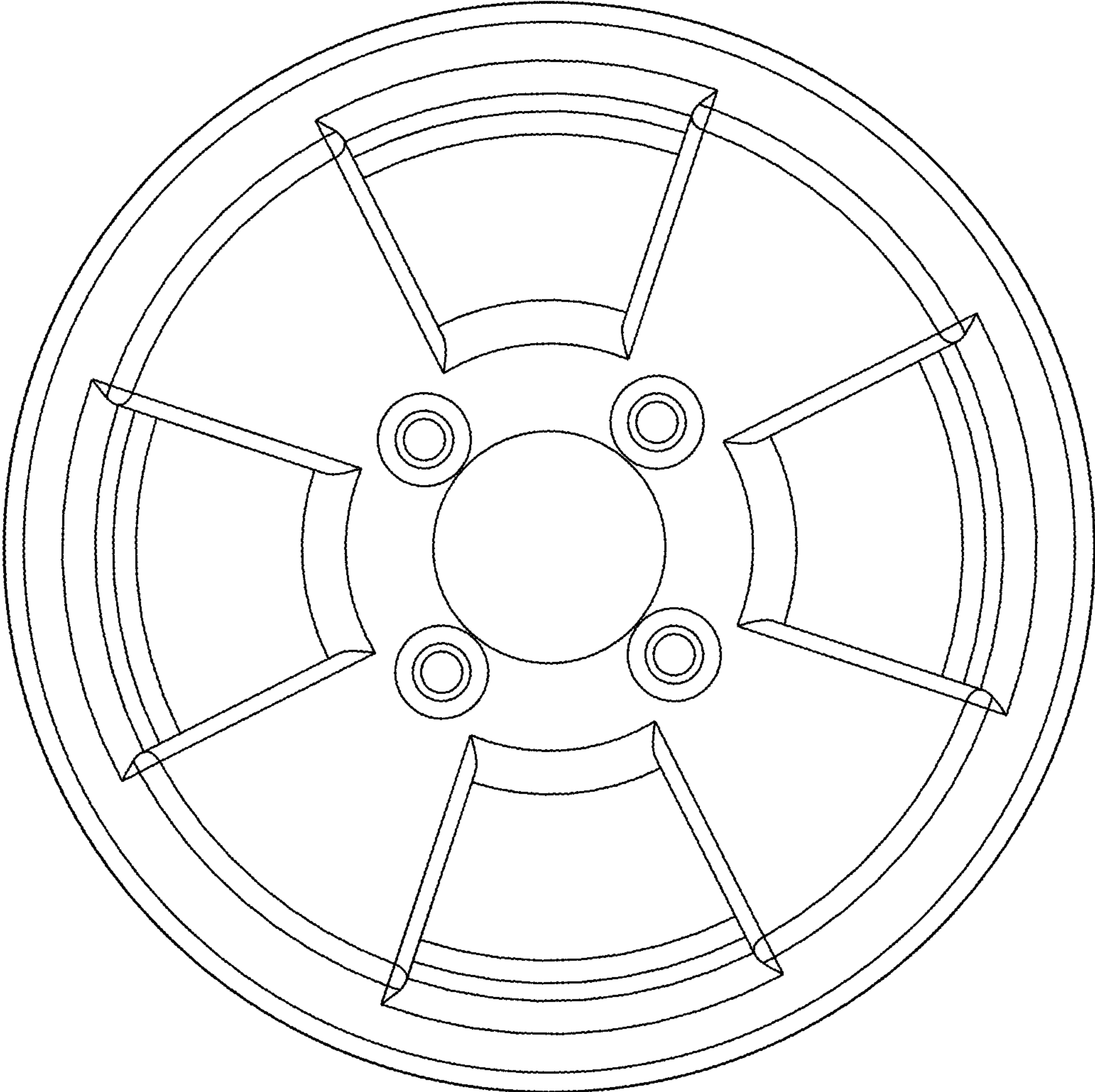


FIG. 2