



US00D795775S

(12) **United States Design Patent**
Simpson

(10) **Patent No.:** **US D795,775 S**

(45) **Date of Patent:** **** Aug. 29, 2017**

(54) **WHEEL FOR MOTOR VEHICLE**

(71) Applicant: **Lipham Trading Company, LLC**,
Lynchburg, TN (US)

(72) Inventor: **David Simpson**, Marietta, GA (US)

(73) Assignee: **LIPHAM TRADING COMPANY, LLC**, Lynchburg, TN (US)

(**) Term: **14 Years**

(21) Appl. No.: **29/499,590**

(22) Filed: **Aug. 15, 2014**

(51) **LOC (10) Cl.** **12-16**

(52) **U.S. Cl.**

USPC **D12/211**

(58) **Field of Classification Search**

USPC D12/204–213

CPC B60B 7/00; B60B 7/02; B60B 7/04; B60B
7/01; B60B 7/06; B60B 3/02; B60B 3/04;
B60B 3/06; B60B 3/10; B60B 1/00;
B60B 1/08; B60B 1/10; B60B 1/12

See application file for complete search history.

(56) **References Cited**

U.S. PATENT DOCUMENTS

D348,243 S *	6/1994	Echazabal	D12/211
D395,270 S	6/1998	Baumgartner et al.		
D398,898 S *	9/1998	Baumgartner	D12/211
D405,409 S *	2/1999	Baumgartner	D12/211
D406,092 S	2/1999	Baumgartner		
D430,526 S *	9/2000	Fitzgerald	D12/211
D455,993 S	4/2002	Ayoub et al.		
D541,202 S	4/2007	Baumgartner		

D553,069 S *	10/2007	Ettensberger	D12/211
D595,632 S	7/2009	Hernandez		
D606,922 S *	12/2009	Thorsten	D12/211
D622,196 S *	8/2010	Gallert	D12/209
D622,199 S	8/2010	Gallert		
D638,340 S *	5/2011	Park	D12/209
D695,666 S	12/2013	Chung		
D727,827 S *	4/2015	Chung	D12/211
D735,630 S *	8/2015	Swaneger	D12/209
D753,042 S *	4/2016	Wheel	D12/209
D757,627 S *	5/2016	Chung	D12/211
D758,274 S *	6/2016	Breyton	D12/209
D760,142 S *	6/2016	Chu	D12/211

* cited by examiner

Primary Examiner — Stacia Cadmus

(74) *Attorney, Agent, or Firm* — Mannava & Kang, P.C.;
Arash Behravesh

(57) **CLAIM**

What is claimed is the ornamental design for a wheel for a motor vehicle, as shown and described.

DESCRIPTION

FIG. 1 is a perspective view of a wheel for a motor vehicle, showing my new design;

FIG. 2 is a top view thereof;

FIG. 3 is a back view thereof;

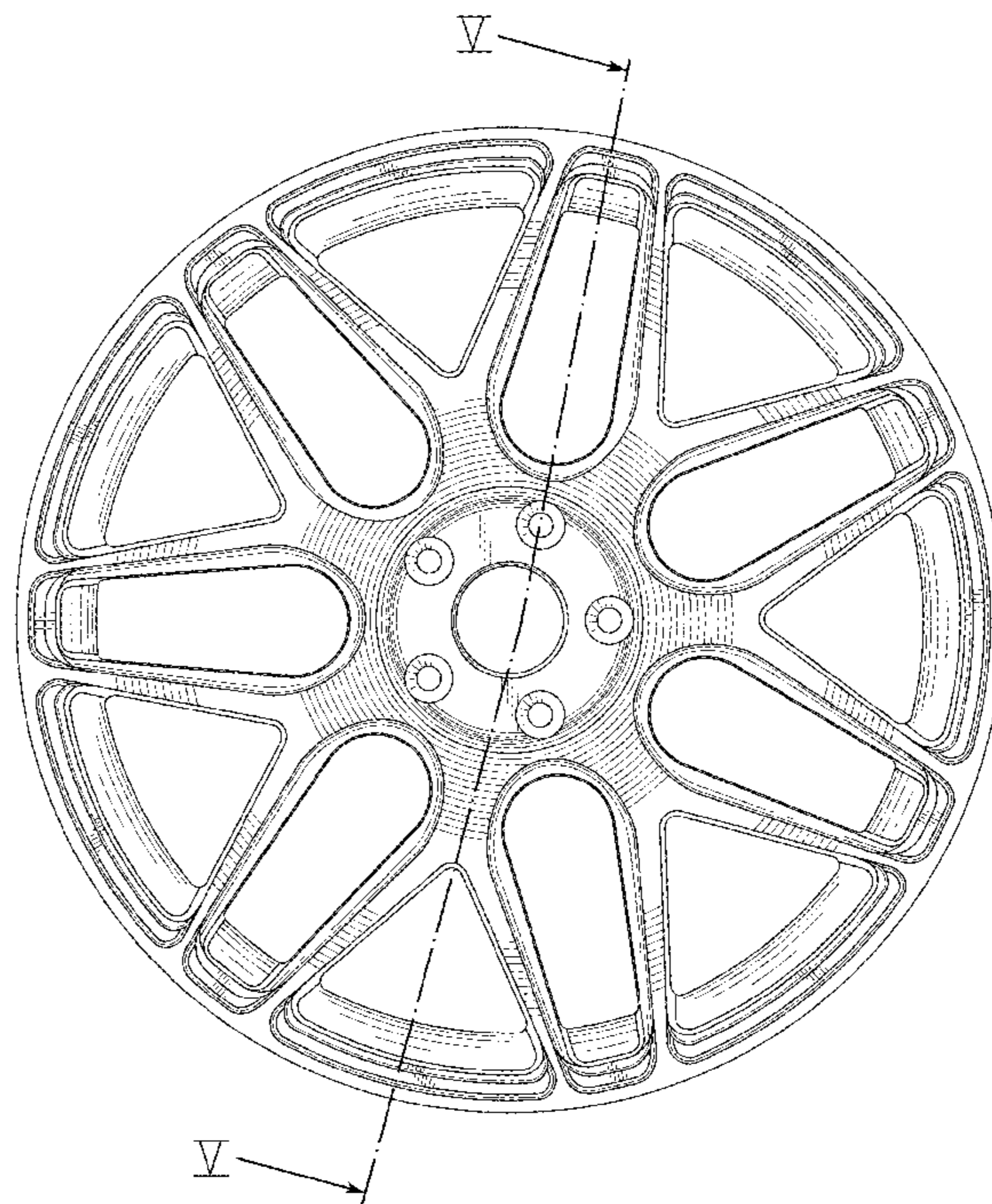
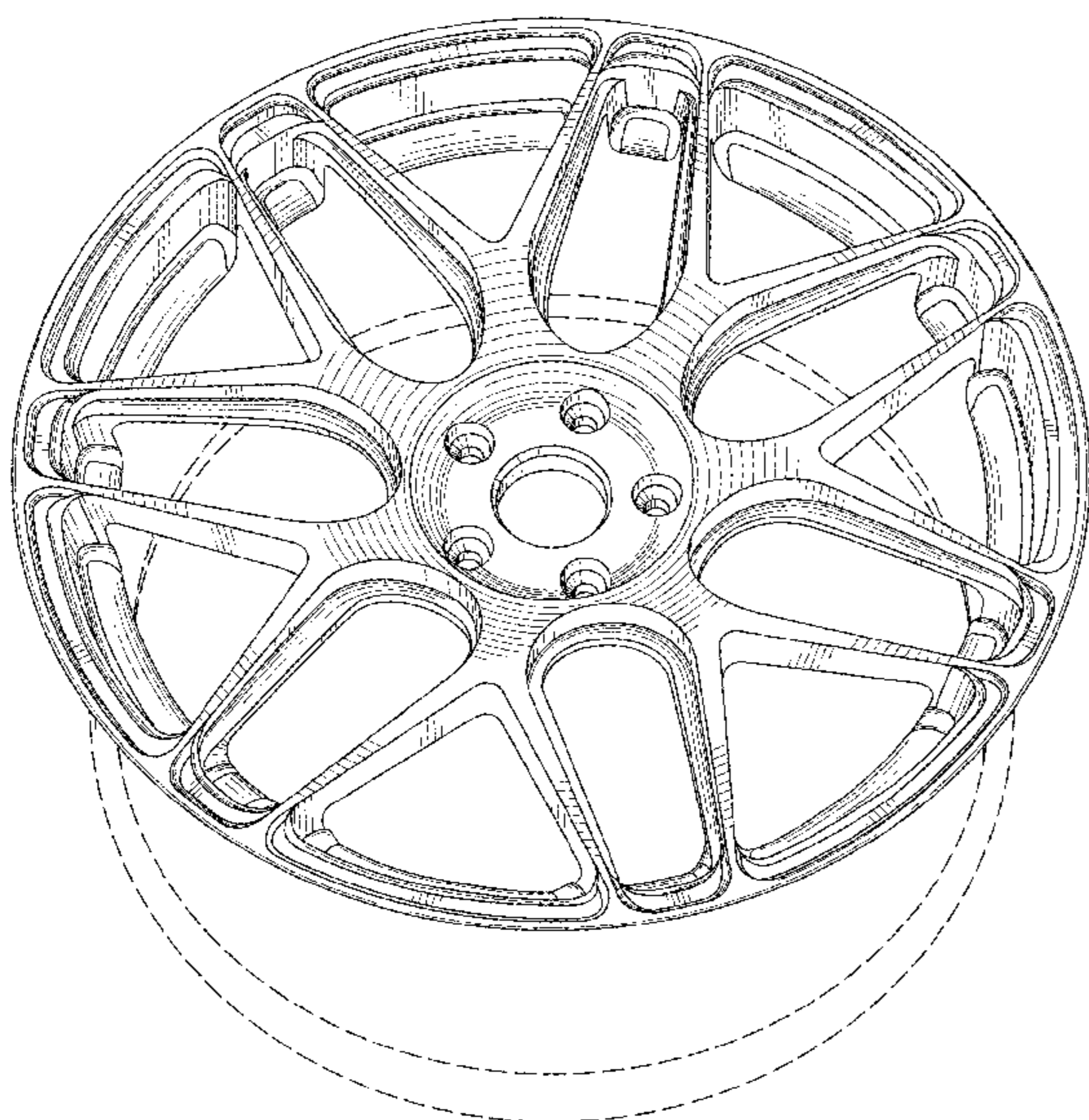
FIG. 4 is a side view thereof;

FIG. 5 is a cross-sectional view thereof, taken along line V-V in FIG. 2;

FIG. 6 is a perspective view of a second embodiment of a wheel for a motor vehicle showing my new design; and,

FIG. 7 is a cross-sectional view of the wheel for a motor vehicle in FIG. 6, taken along line VII-VII in FIG. 6.

1 Claim, 7 Drawing Sheets



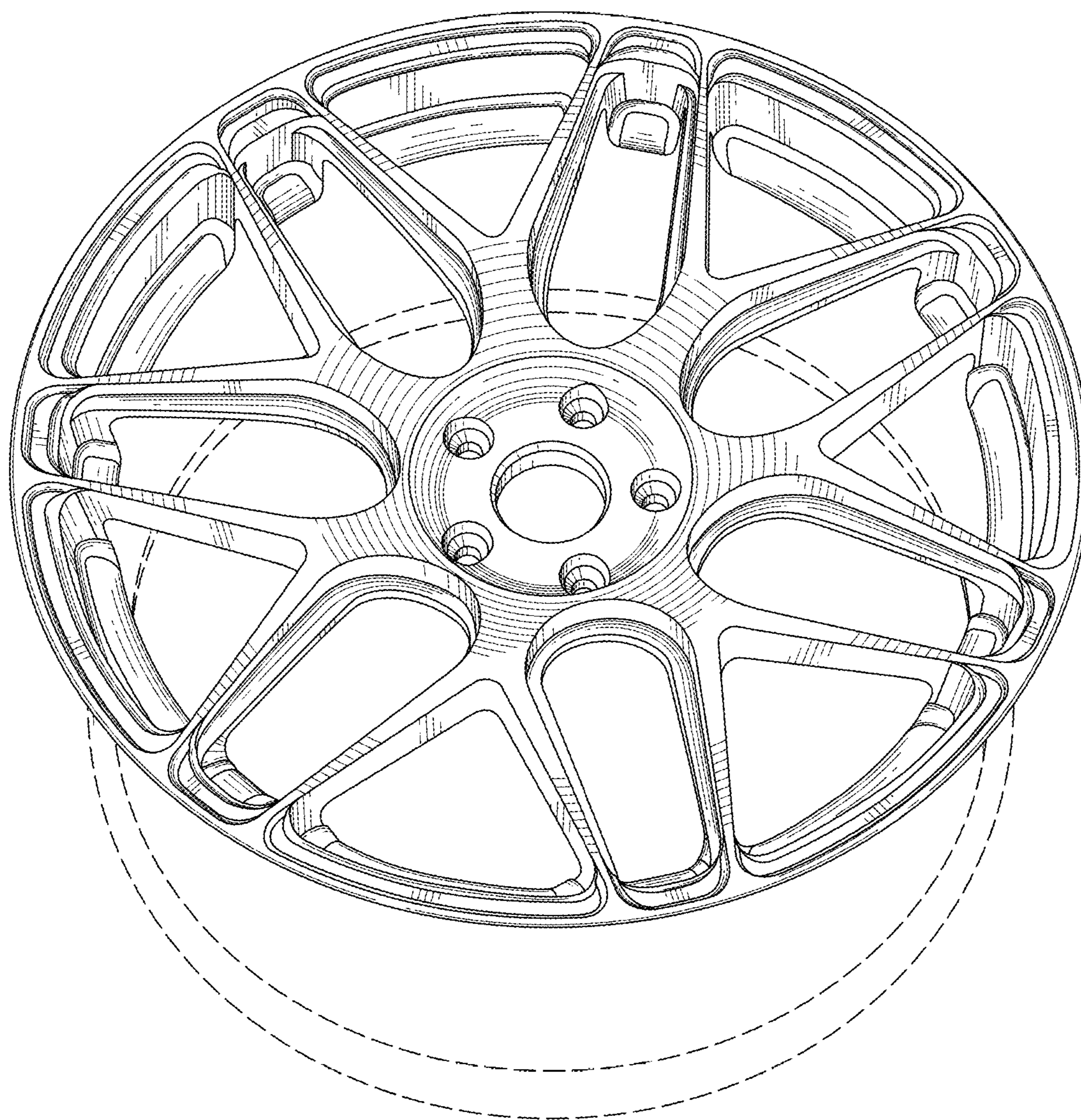


Fig. 1

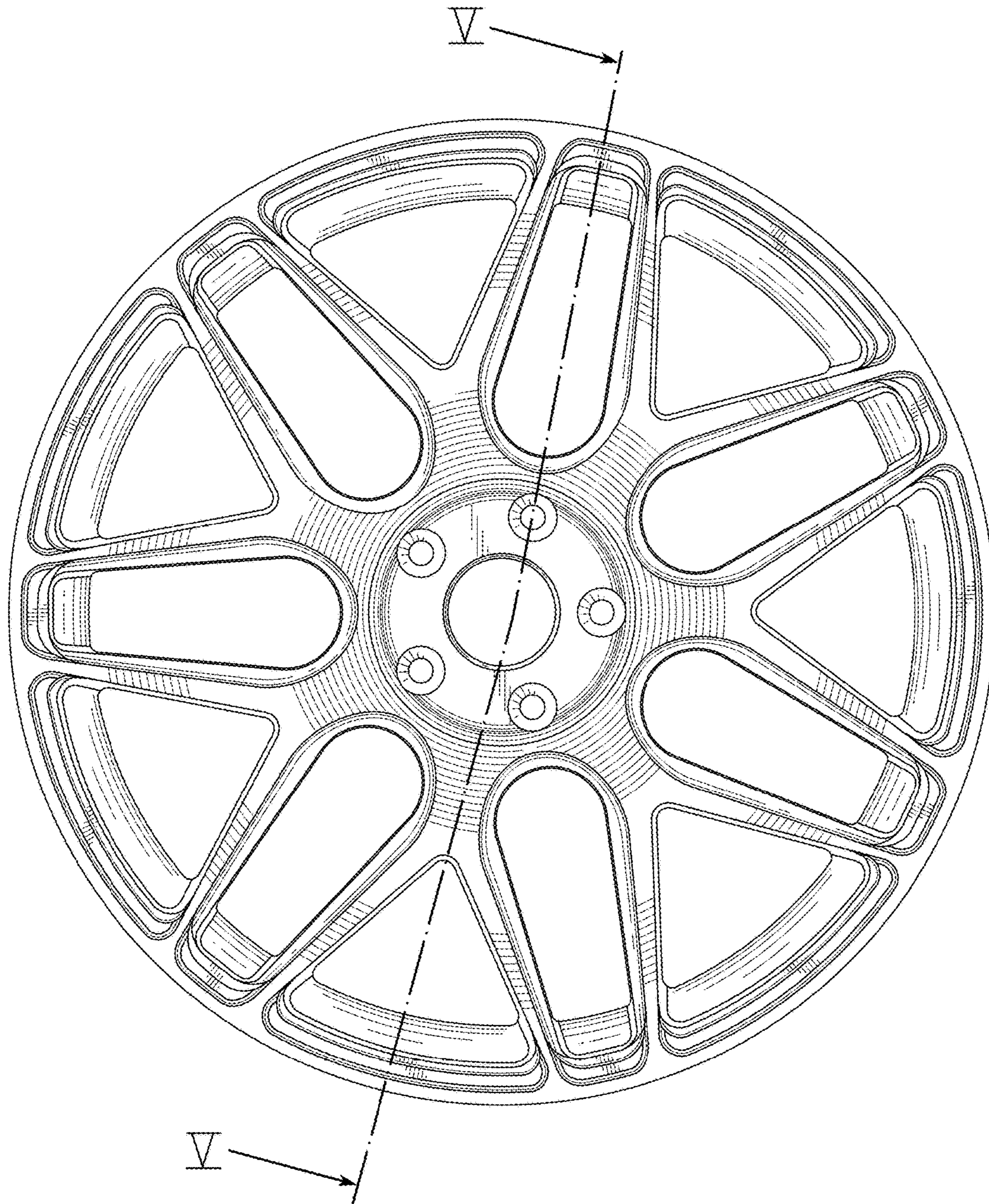


Fig. 2

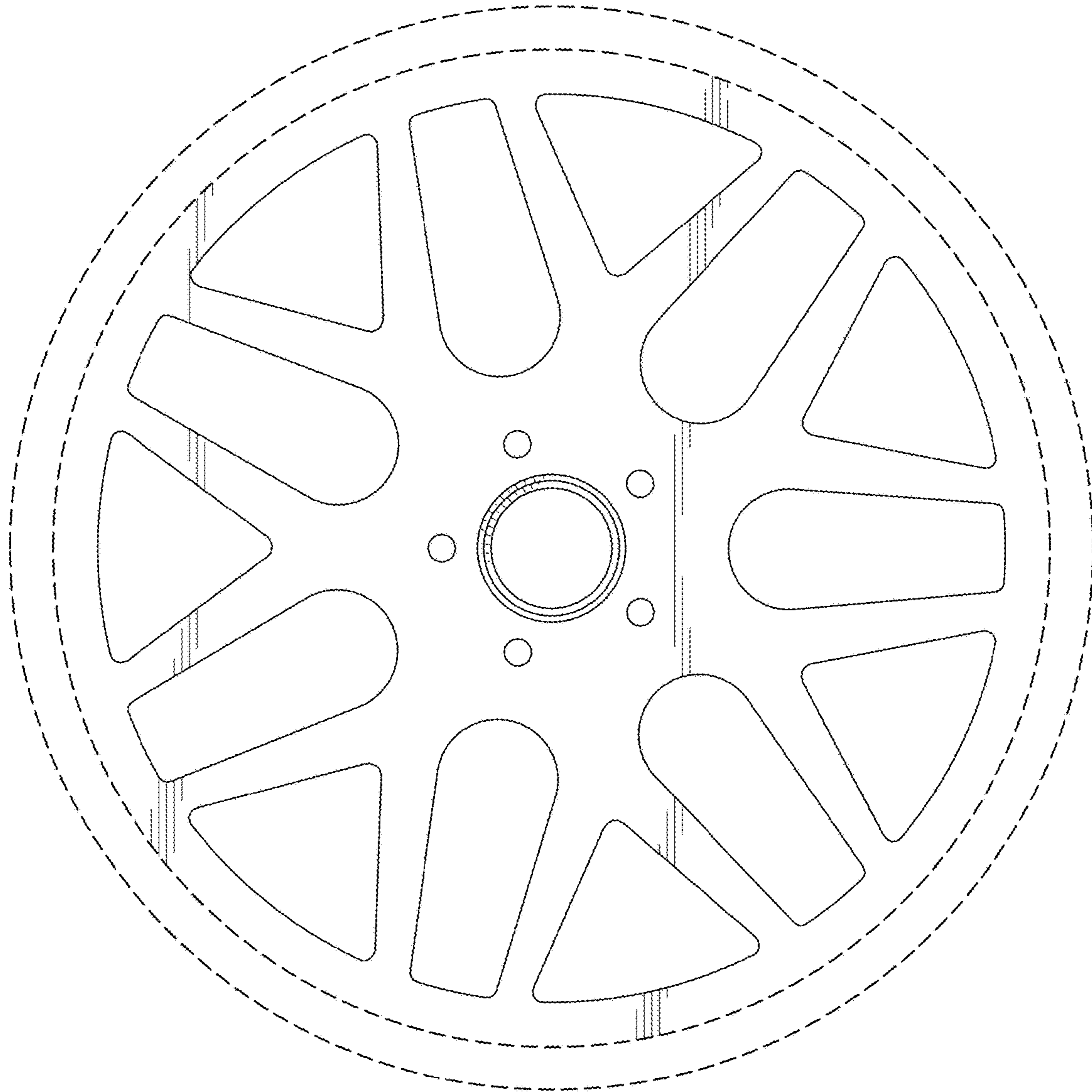


Fig. 3

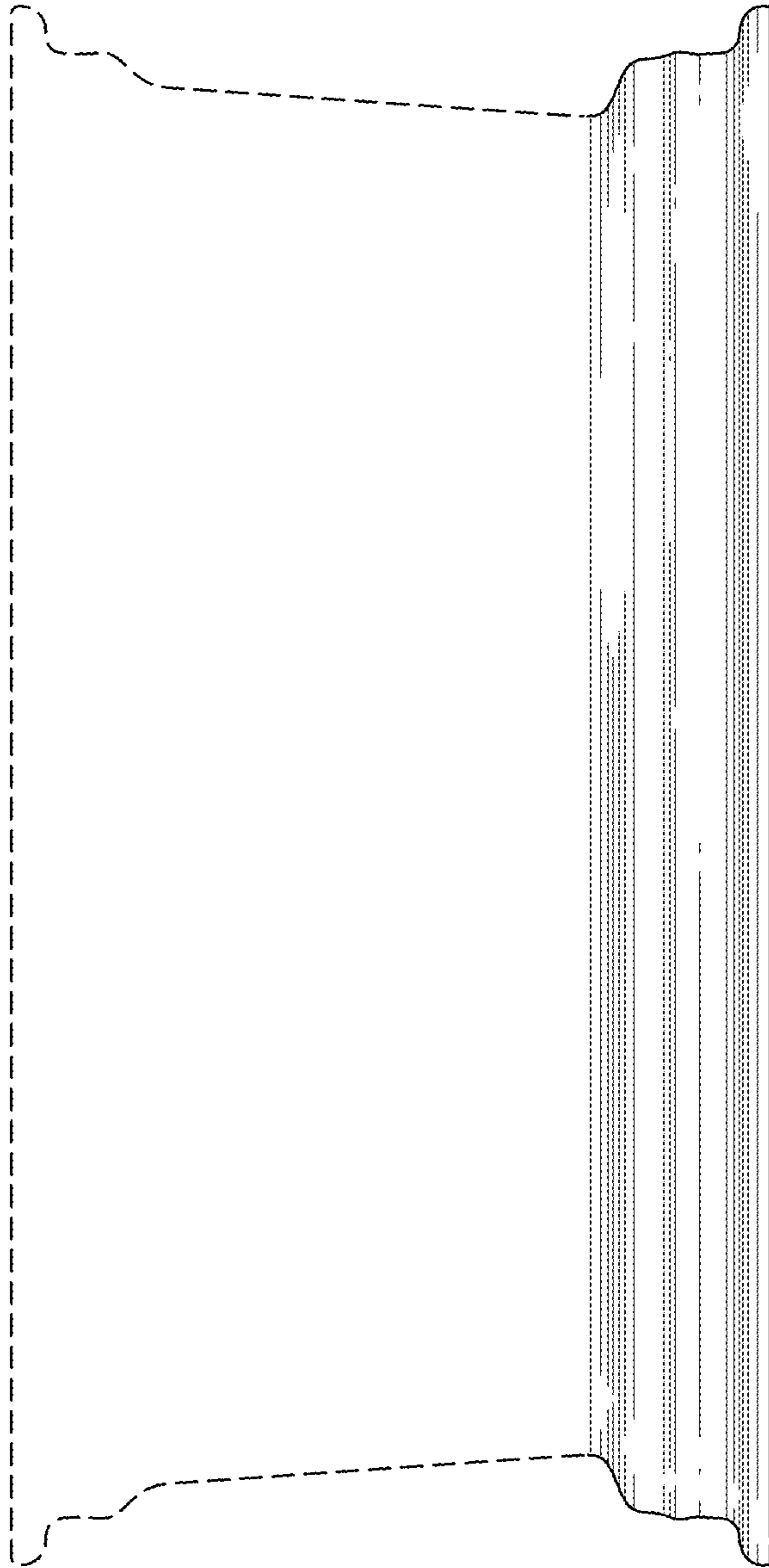


Fig. 4

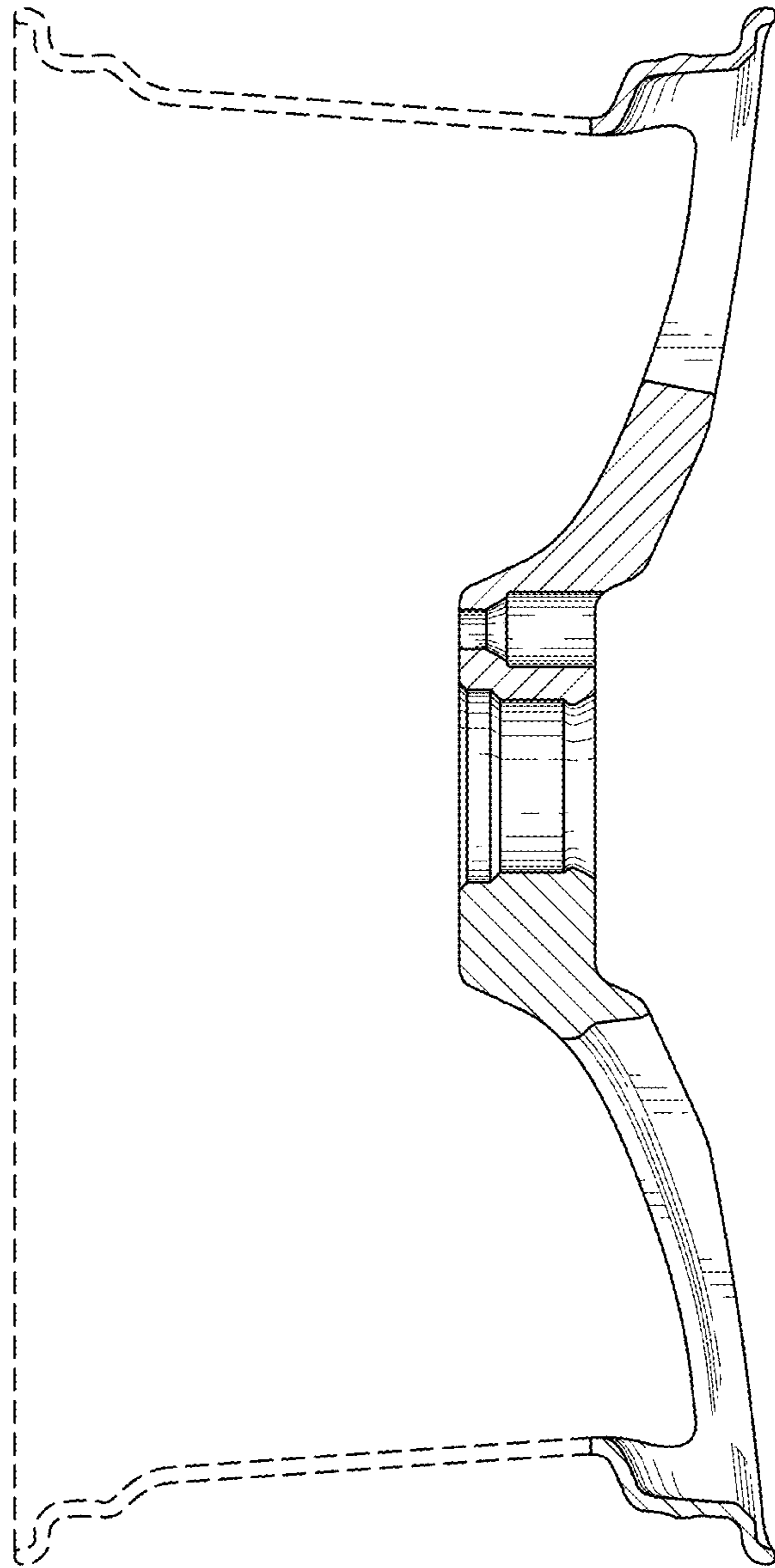


Fig. 5

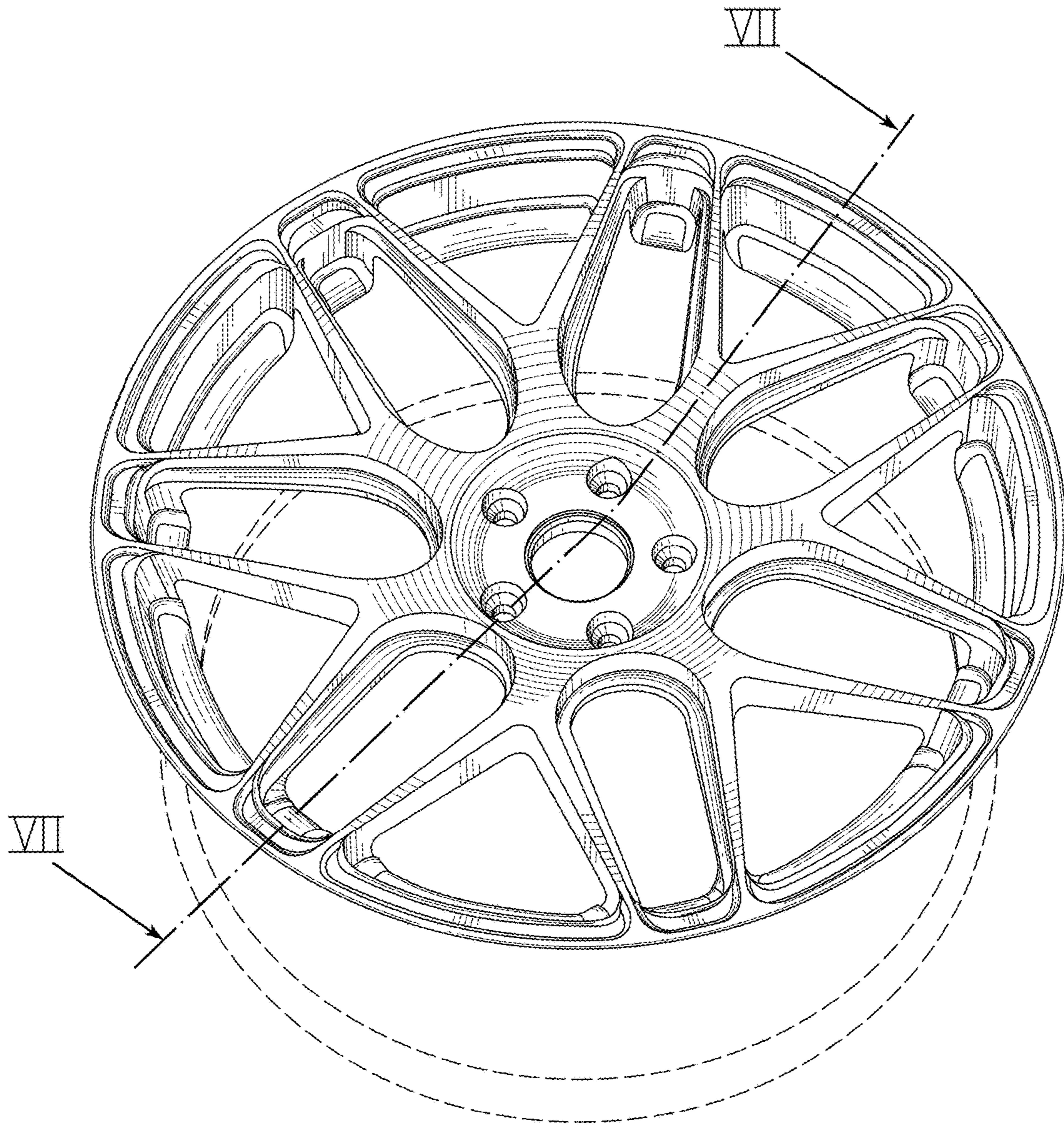


Fig. 6

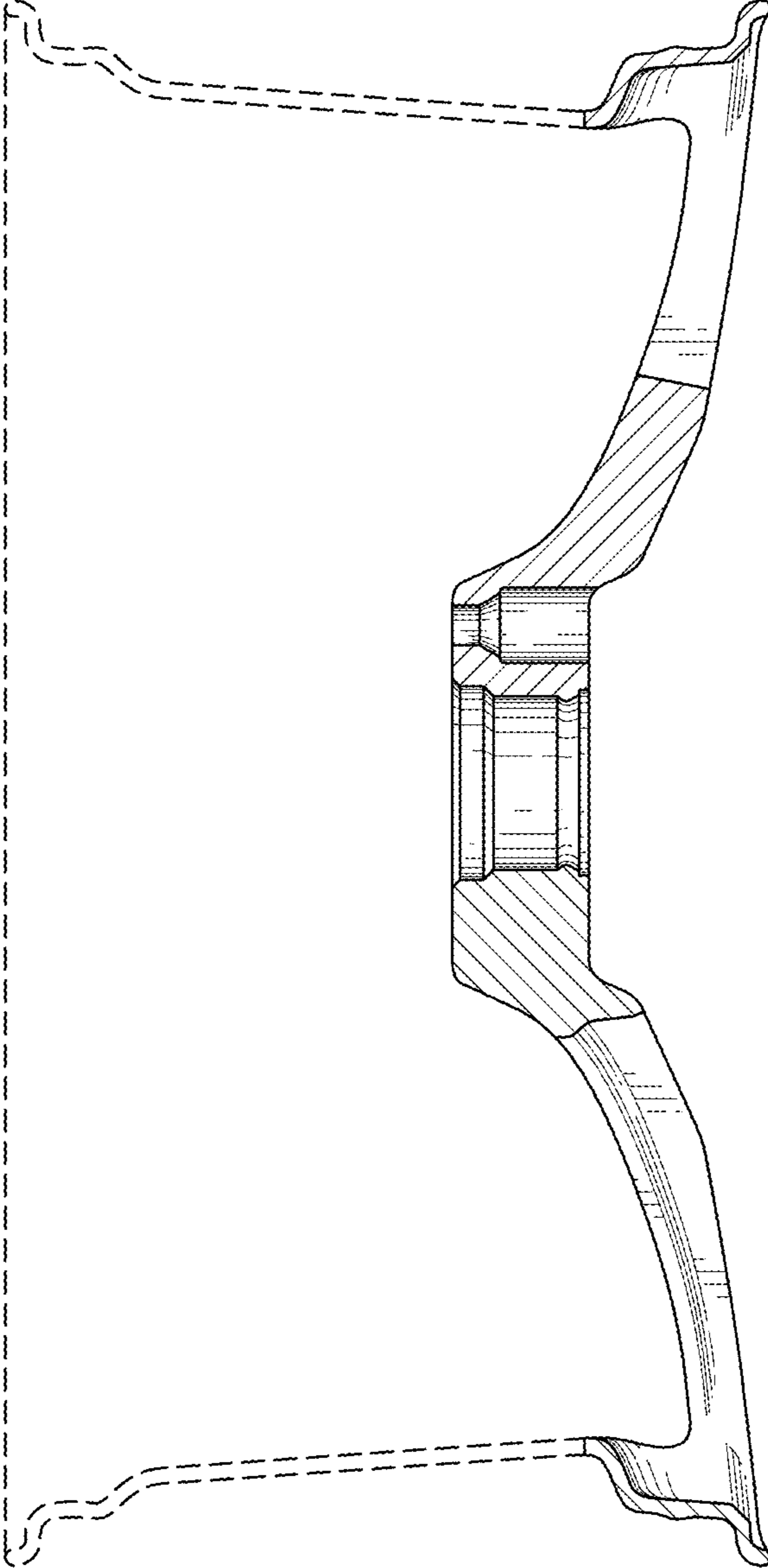


Fig. 7