



US00D795773S

(12) **United States Design Patent** (10) **Patent No.:** **US D795,773 S**
Lu (45) **Date of Patent:** **** Aug. 29, 2017**

(54) **SET OF AUTOMOBILE FOOT PADS**

(57) **CLAIM**

(71) Applicant: **CHANGZHOU QINGLONG DECORATION PRODUCTS CO., LTD.**, Changzhou, Jiangsu Province (CN)

The ornamental design for the set of automobile foot pads, as shown and described.

(72) Inventor: **Keming Lu**, Changzhou (CN)

DESCRIPTION

(73) Assignee: **CHANGZHOU QINGLONG DECORATION PRODUCTS CO., LTD.**, Changzhou (CN)

(**) Term: **15 Years**

(21) Appl. No.: **29/577,688**

(22) Filed: **Sep. 14, 2016**

(30) **Foreign Application Priority Data**

Apr. 26, 2016 (CN) 2016 3 0146068

(51) **LOC (10) Cl.** **12-16**

(52) **U.S. Cl.**
USPC **D12/203**

(58) **Field of Classification Search**
USPC D12/203, 221; D6/582-586, 592-594
CPC B60R 13/01; B60N 3/044; B60N 3/04
See application file for complete search history.

(56) **References Cited**

U.S. PATENT DOCUMENTS

D313,789 S *	1/1991	Thundercloud	D12/203
D393,238 S *	4/1998	Kraines	D12/203
D422,256 S *	4/2000	Lu	D12/203
D425,468 S *	5/2000	Hussaini	D12/203
D508,449 S *	8/2005	Hussaini	D12/203
D508,670 S *	8/2005	Hussaini	D12/203
D509,174 S *	9/2005	Hussaini	D12/203

(Continued)

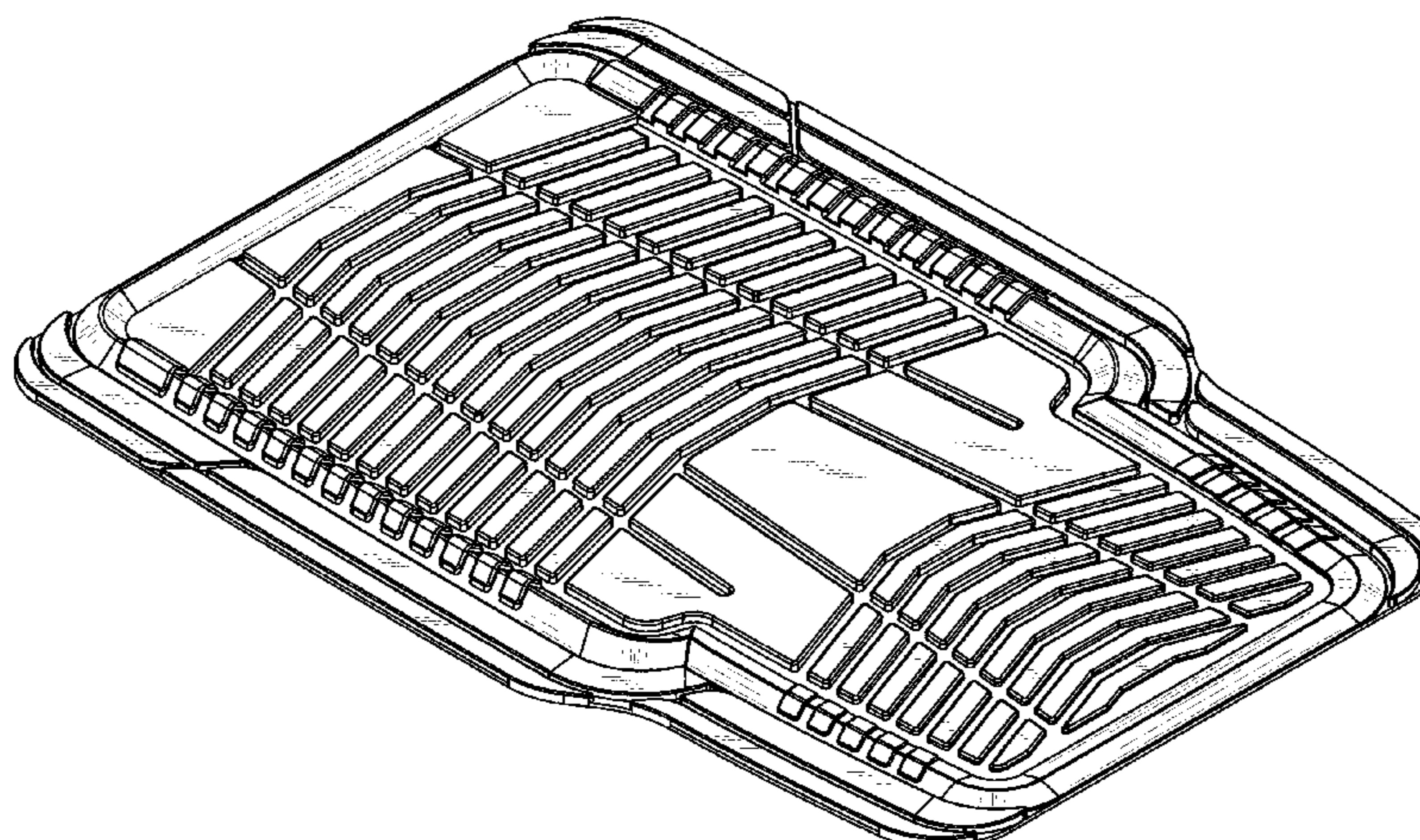
Primary Examiner — George D. Kirschbaum

Assistant Examiner — Clese Moore, Jr.

(74) *Attorney, Agent, or Firm* — Jiwen Chen

FIG. 1 is a perspective view of the set of automobile foot pads for the front row seat floor showing the design; FIG. 2 is another perspective view the set of automobile foot pads for the front row seat floor showing the design; FIG. 3 is a front elevational view of the set of automobile foot pads for the front row seat floor; FIG. 4 is a rear elevational view of the set of automobile foot pads for the front row seat floor; FIG. 5 is a right side view of the set of automobile foot pads for the front row seat floor; FIG. 6 is a left side view of the set of automobile foot pads for the front row seat floor; FIG. 7 is a bottom plan view of the set of automobile foot pads for the front row seat floor; FIG. 8 is a top plan view of the set of automobile foot pads for the front row seat floor; FIG. 9 is a perspective view of the set of automobile foot pads for the back row seat floor showing the design; FIG. 10 is another perspective view the set of automobile foot pads for the back row seat floor showing the design; FIG. 11 is a front elevational view of the set of automobile foot pads for the back row seat floor; FIG. 12 is a rear elevational view of the set of automobile foot pads for the back row seat floor; FIG. 13 is a right side view of the set of automobile foot pads for the back row seat floor; FIG. 14 is a left side view of the set of automobile foot pads for the back row seat floor; FIG. 15 is a bottom plan view of the set of automobile foot pads for the back row seat floor; and, FIG. 16 is a top plan view of the set of automobile foot pads for the back row seat floor.

1 Claim, 12 Drawing Sheets



(56)

References Cited

U.S. PATENT DOCUMENTS

D511,487 S	*	11/2005	Lu	D12/203
D511,732 S	*	11/2005	Hussaini	D12/203
D513,216 S	*	12/2005	Hussaini	D12/203
D514,043 S	*	1/2006	Hussaini	D12/203
D514,045 S	*	1/2006	Hussaini	D12/203
D517,967 S	*	3/2006	Hussaini	D12/203
D525,576 S	*	7/2006	Lu	D12/203
D535,929 S	*	1/2007	Kraines	D12/203
D542,203 S	*	5/2007	Kraines	D12/203
D555,562 S	*	11/2007	Iacovelli	D12/203
D555,563 S	*	11/2007	Iacovelli	D12/203
D569,318 S	*	5/2008	Kraines	D12/203
D613,226 S	*	4/2010	Lu	D12/203
D666,951 S	*	9/2012	Lu	D12/203
D734,231 S	*	7/2015	Lu	D12/203

* cited by examiner

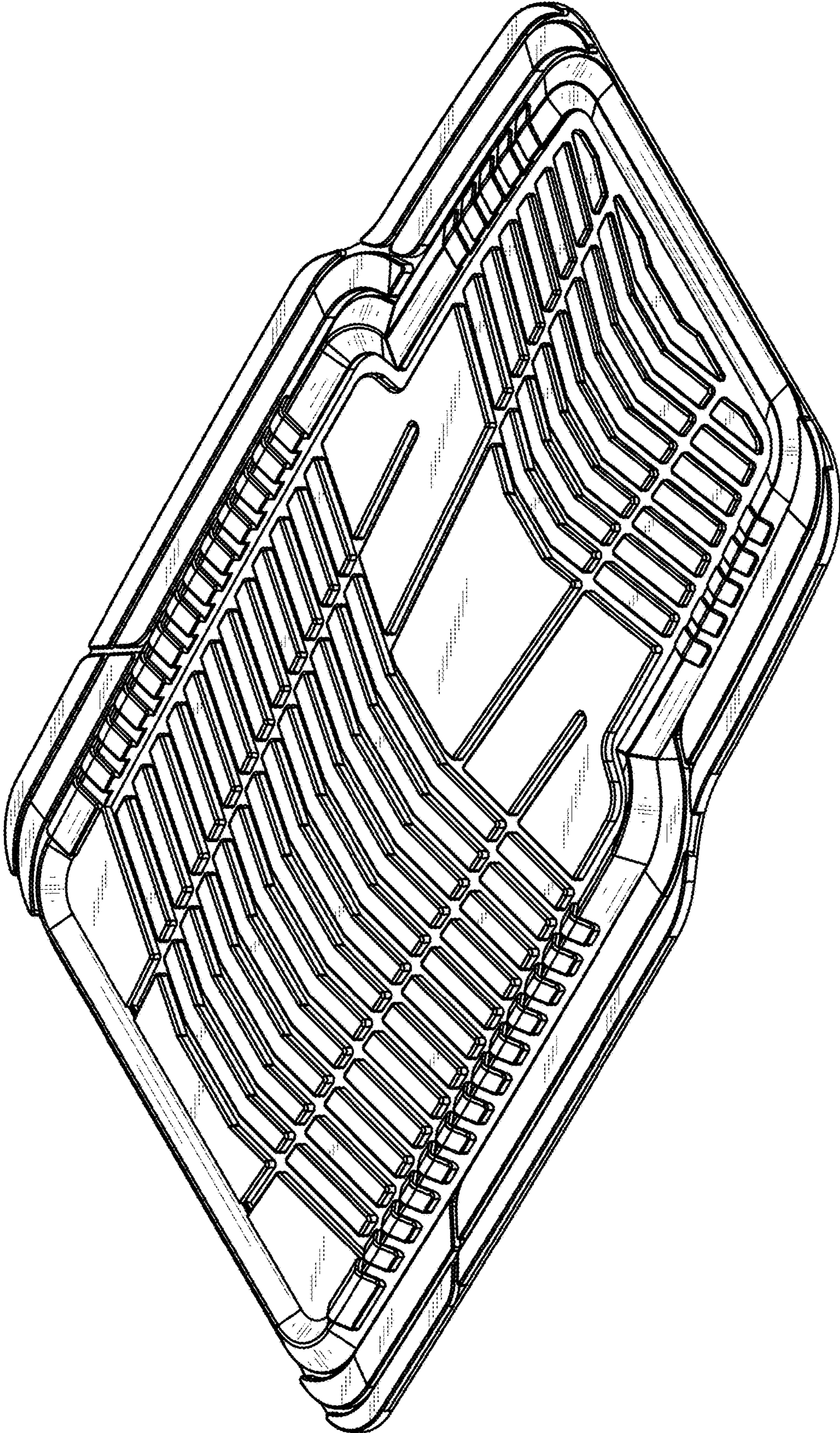


FIG. 1

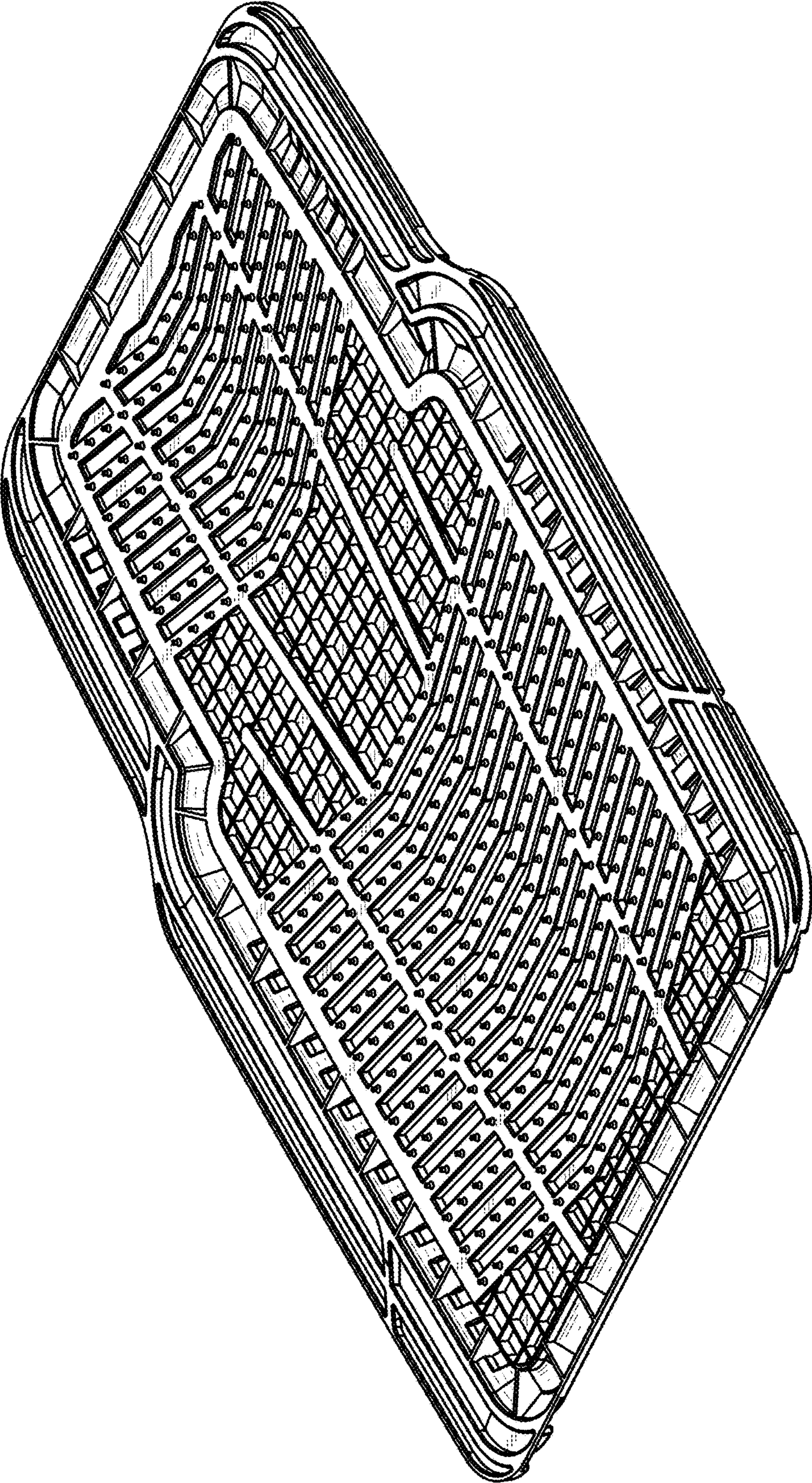


FIG. 2

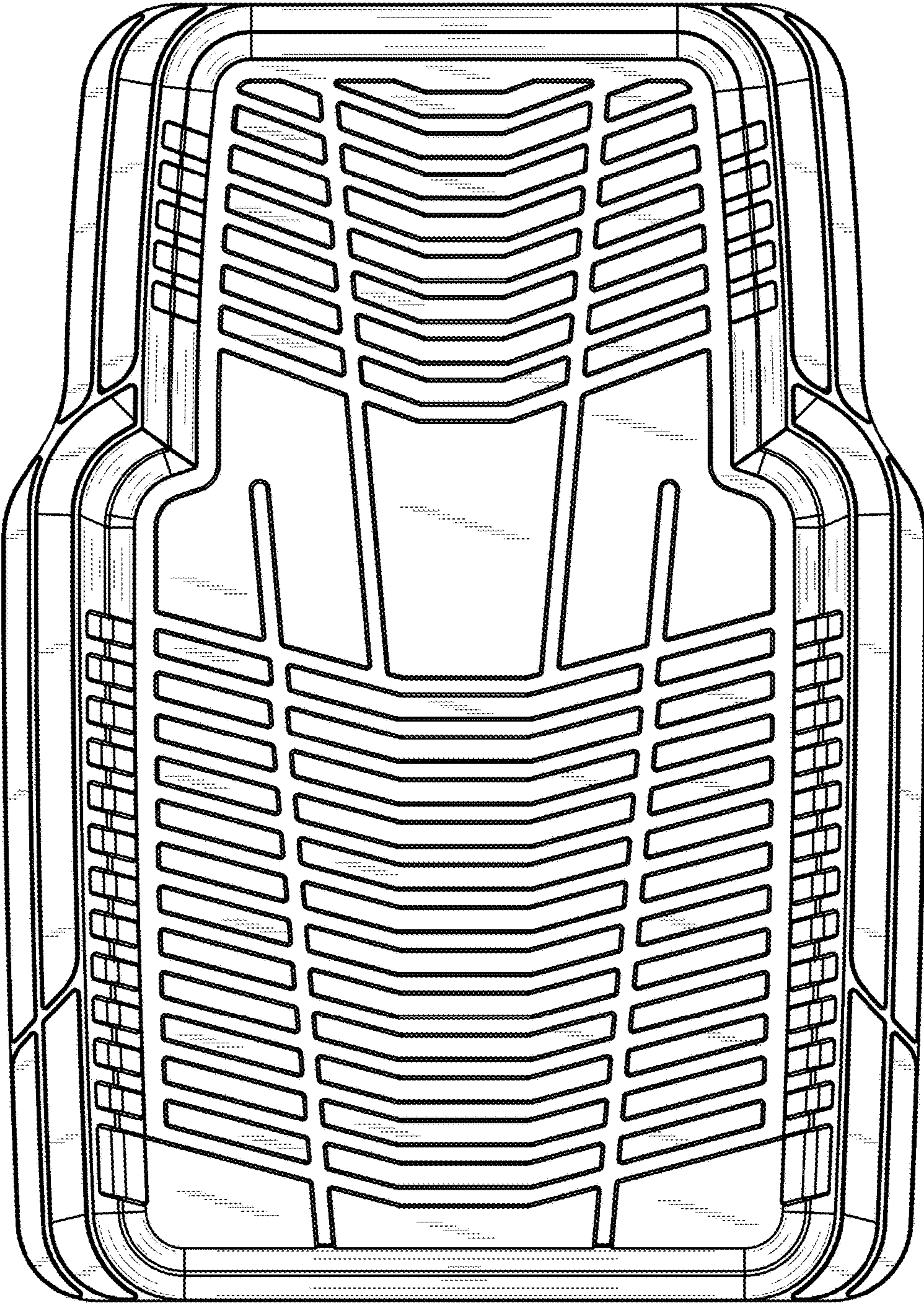


FIG. 3

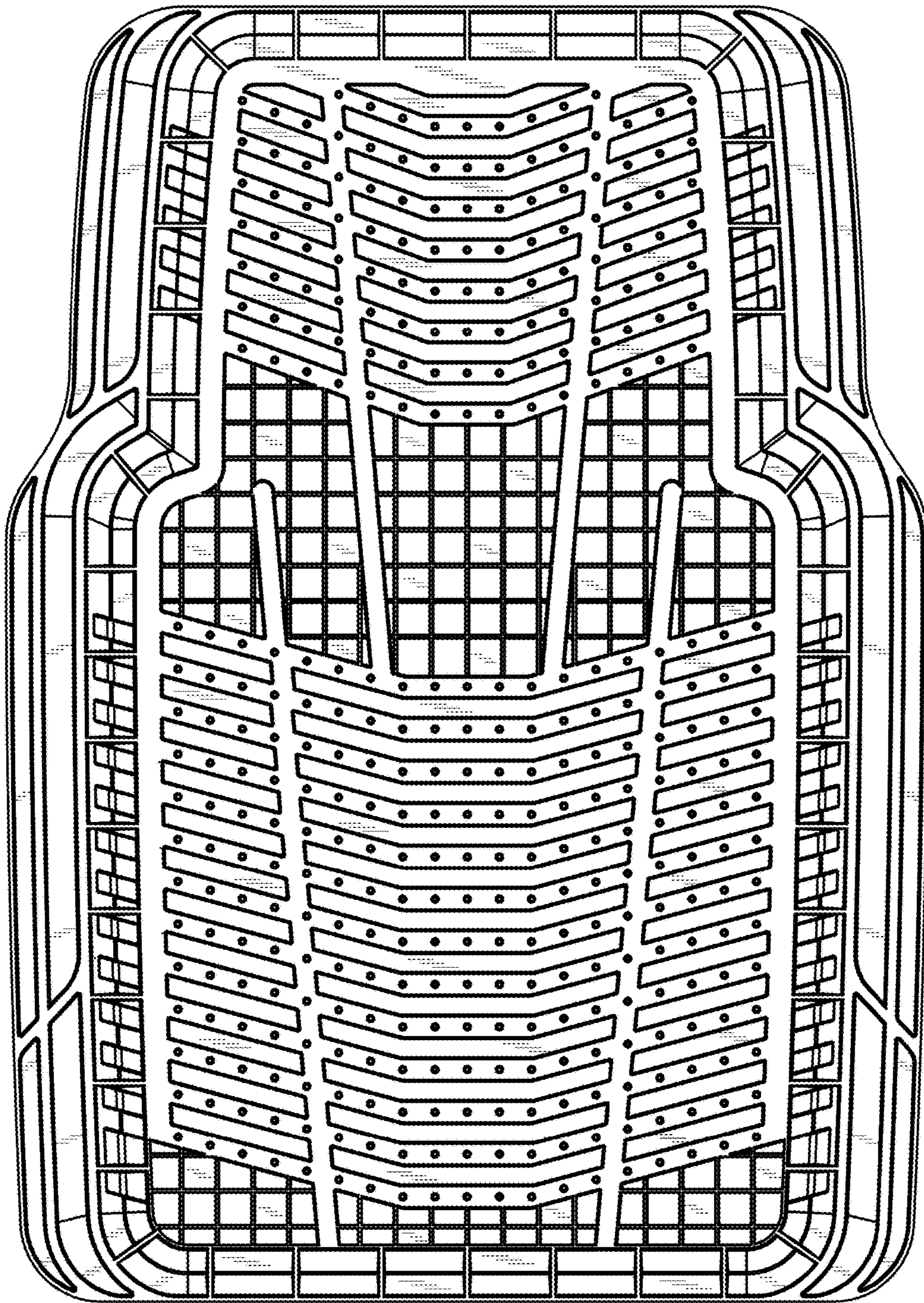


FIG. 4



FIG. 5



FIG. 6



FIG. 7

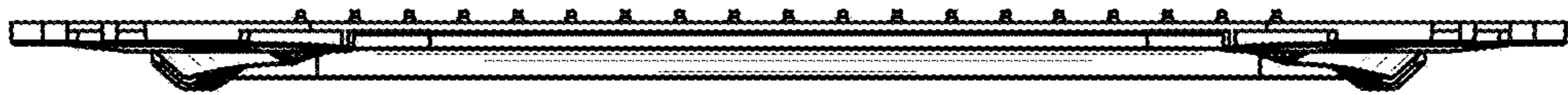


FIG. 8

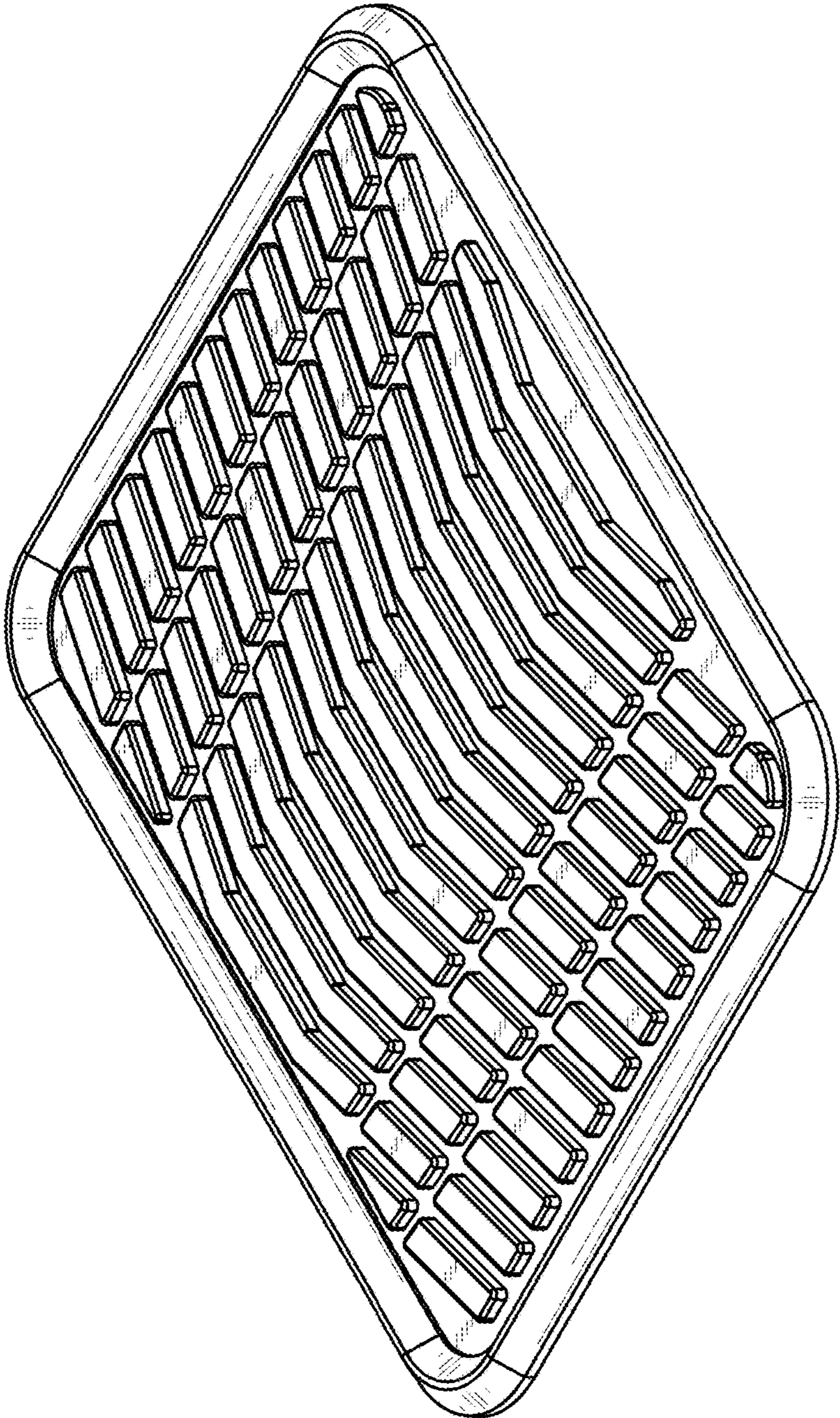


FIG. 9

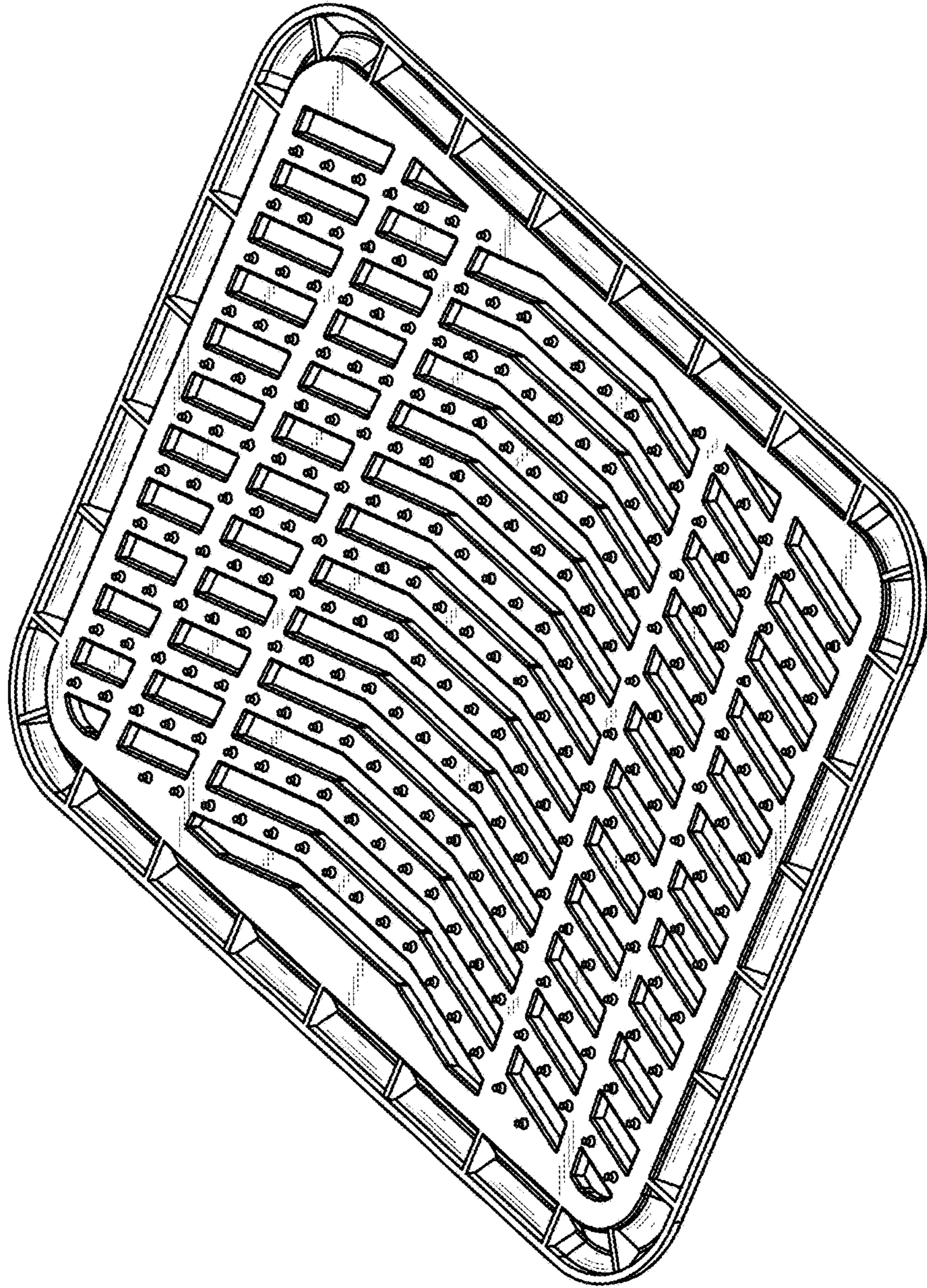


FIG. 10

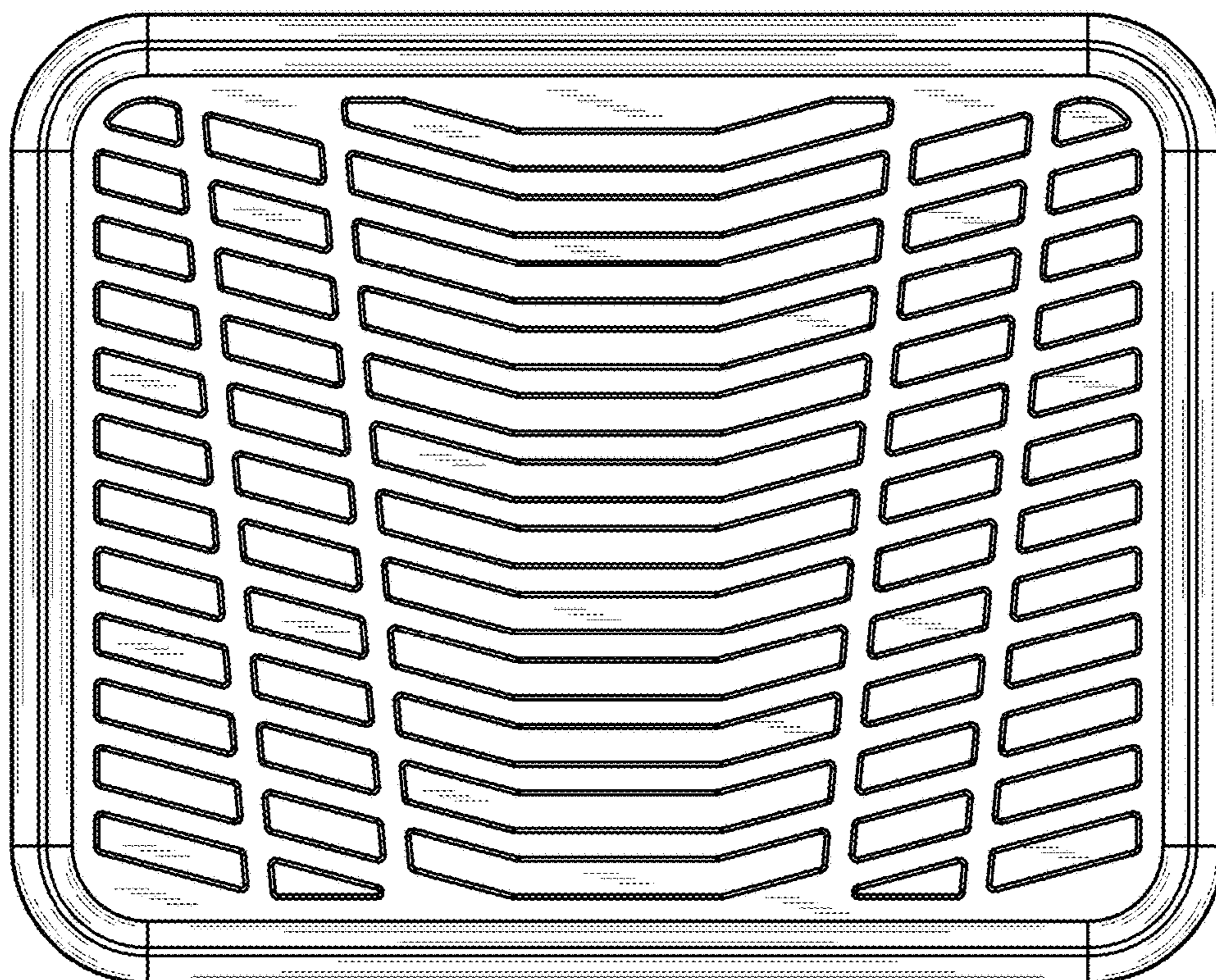


FIG. 11

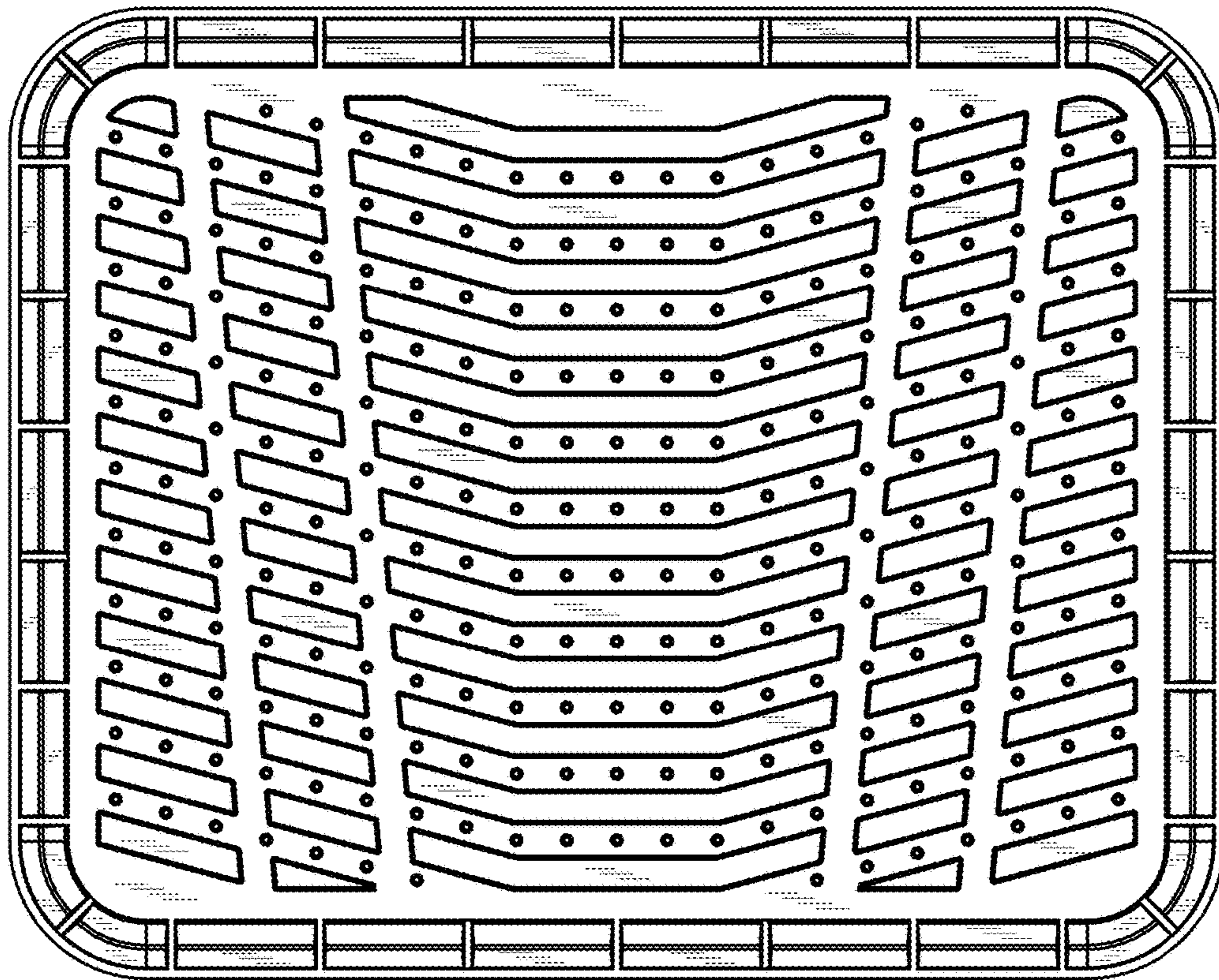


FIG. 12



FIG. 13

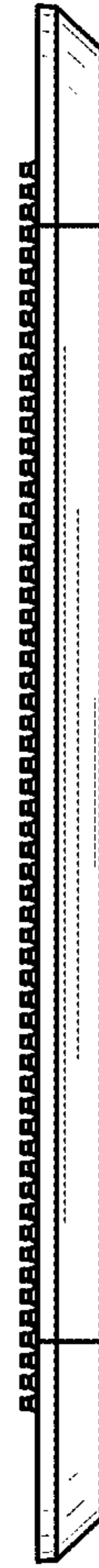


FIG. 14

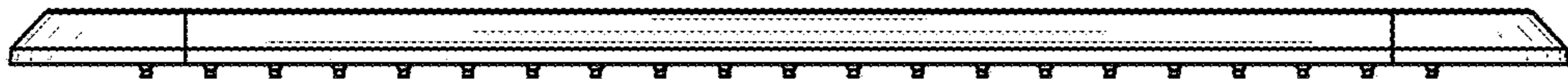


FIG. 15



FIG. 16