



US00D795771S

(12) **United States Design Patent**  
**Bae et al.**

(10) **Patent No.:** **US D795,771 S**  
(45) **Date of Patent:** **\*\* Aug. 29, 2017**

(54) **AUTOMOTIVE INSTRUMENT PANEL**

D265,561 S \* 7/1982 Cottrell ..... D14/448  
4,375,316 A \* 3/1983 Le Vantine ..... G02B 17/02  
248/480  
4,559,925 A \* 12/1985 Snow ..... F24J 2/0433  
126/569

(71) Applicant: **SAMSUNG DISPLAY CO., LTD.**,  
Yongin-si, Gyeonggi-do (KR)

(72) Inventors: **Jong Sung Bae**, Hwaseong-si (KR);  
**Myoung Jin Lee**, Seoul (KR);  
**Jae-Won Lee**, Hwaseong-si (KR); **Mu**  
**Gyeom Kim**, Hwaseong-si (KR)

(Continued)

**FOREIGN PATENT DOCUMENTS**

KR 10-0125225 B1 10/1997

(73) Assignee: **Samsung Display Co., Ltd.**, Yongin-si  
(KR)

**OTHER PUBLICATIONS**

U.S. Office Action dated Dec. 22, 2016, issued in cross-reference  
U.S. Appl. No. 29/539,124 (9 pages).

(\*\*) Term: **15 Years**

*Primary Examiner* — Phillip S Hyder

(21) Appl. No.: **29/539,120**

(74) *Attorney, Agent, or Firm* — Lewis Roca Rothgerber  
Christie LLP

(22) Filed: **Sep. 10, 2015**

(30) **Foreign Application Priority Data**

(57) **CLAIM**

Mar. 13, 2015 (KR) ..... 30-2015-0012887

The ornamental design for an automotive instrument panel,  
as shown and described.

(51) **LOC (10) Cl.** ..... **12-16**

**DESCRIPTION**

(52) **U.S. Cl.**  
USPC ..... **D12/192**

(58) **Field of Classification Search**  
USPC ..... D12/190, 191, 192, 400; D14/125, 126,  
D14/127, 128, 129; D16/221, 220, 305  
CPC ..... G03H 1/22; G03H 2001/2215; G03H  
2001/2221; G09B 9/32; G09B 9/326;  
H04N 9/31; H04N 9/3129; G01D 11/28;  
G01D 11/30; G01D 11/24; B60K 37/02;  
B60K 2350/2008

FIG. 1 is a perspective view of an automotive instrument  
panel;  
FIG. 2 is a front view thereof;  
FIG. 3 is a rear view thereof;  
FIG. 4 is a left side view thereof, the right side view being  
a mirror image;  
FIG. 5 is a top view thereof;  
FIG. 6 is a bottom view thereof;  
FIG. 7 is another perspective view thereof; and,  
FIG. 8 is a front view of the automotive instrument panel in  
which an image, such as a navigational map, is displayed on  
a display device, the image forming no part of the claimed  
design.

See application file for complete search history.

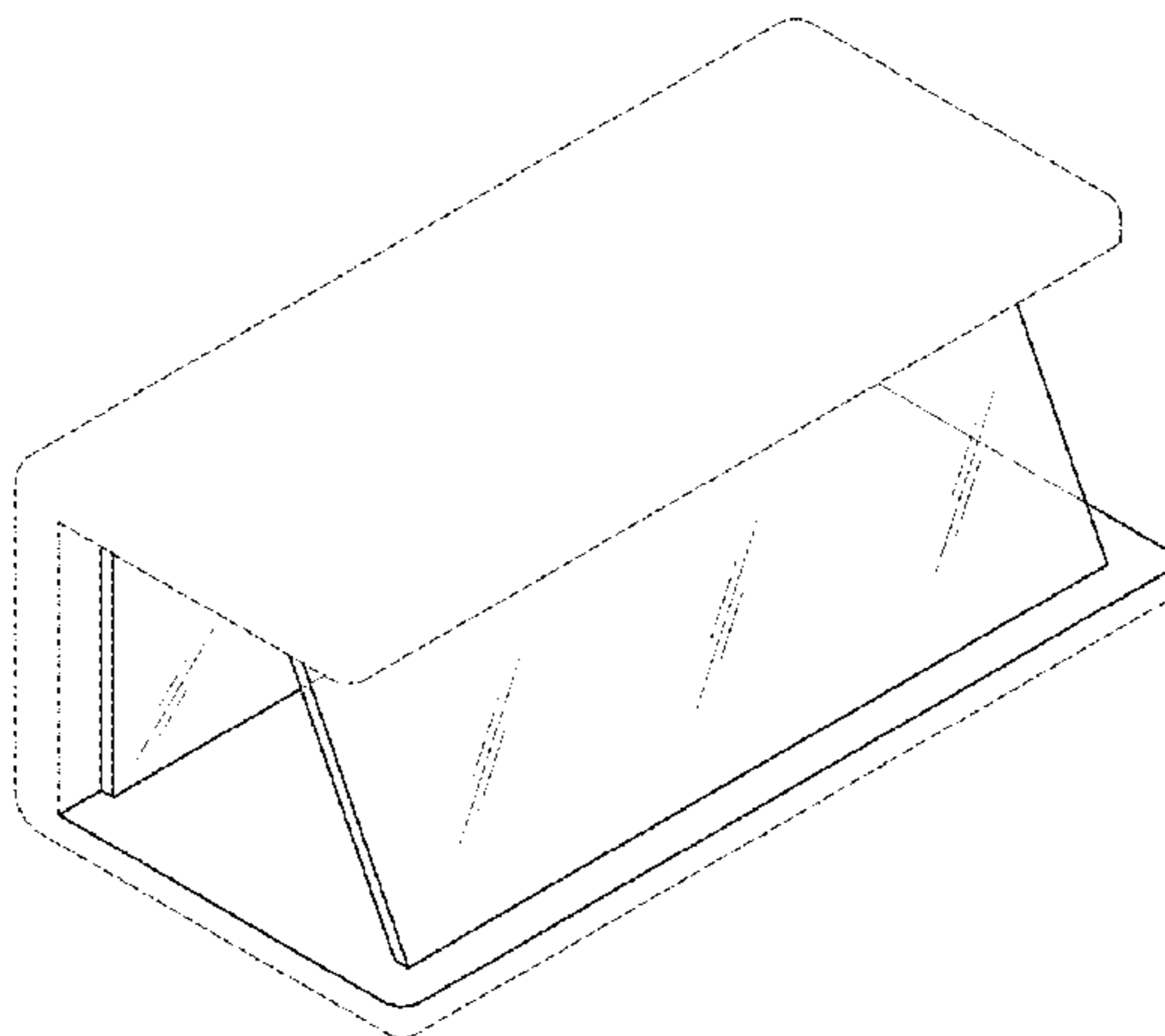
The broken lines depict portions of the automotive instru-  
ment panel in which the design is embodied that are not  
considered part of the claimed design.

(56) **References Cited**

**U.S. PATENT DOCUMENTS**

2,090,914 A \* 8/1937 Porter ..... G02B 21/34  
359/398  
2,594,334 A 4/1952 Miller  
2,770,853 A 11/1956 Groff  
3,364,603 A 1/1968 Tate, Jr.

**1 Claim, 6 Drawing Sheets**



(56)

**References Cited**

U.S. PATENT DOCUMENTS

4,893,775	A *	1/1990	Long .....	A47B 23/042 248/442.2
4,953,956	A	9/1990	Carpenter	
5,072,313	A	12/1991	Schweitzer et al.	
5,092,775	A	3/1992	Wolf et al.	
5,104,086	A *	4/1992	Ramey, III .....	A47B 21/045 248/442.2
D337,462	S	7/1993	LaVaute et al.	
5,373,863	A *	12/1994	Prizio .....	A01M 31/025 135/117
5,485,693	A	1/1996	Frenken et al.	
6,283,432	B1 *	9/2001	Hoose, Jr. ....	A47B 23/042 248/441.1
D461,977	S *	8/2002	Mitchell .....	D6/701
D472,083	S *	3/2003	English .....	D6/699.5
D497,739	S *	11/2004	English .....	D6/678.3
7,040,723	B2 *	5/2006	Matus, Jr. ....	A47F 10/06 312/137
D543,740	S *	6/2007	Hartsfield, Jr. ....	D6/699.5
D724,511	S	3/2015	Ahn et al.	
9,144,329	B1	9/2015	McGrath	
D743,089	S	11/2015	Sugihara et al.	
2004/0256535	A1 *	12/2004	Desch .....	A47B 23/042 248/460

\* cited by examiner

FIG. 1

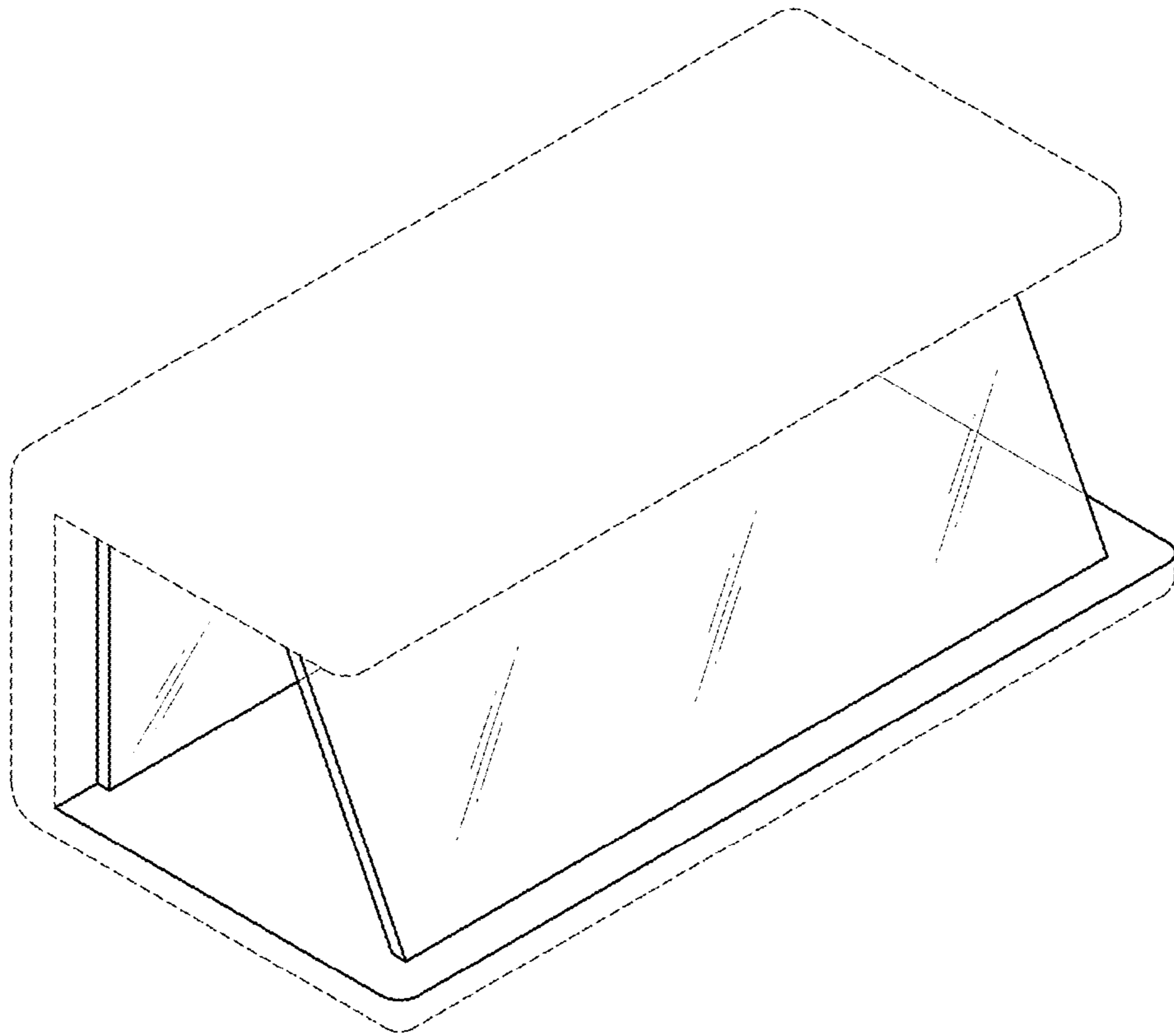


FIG. 2

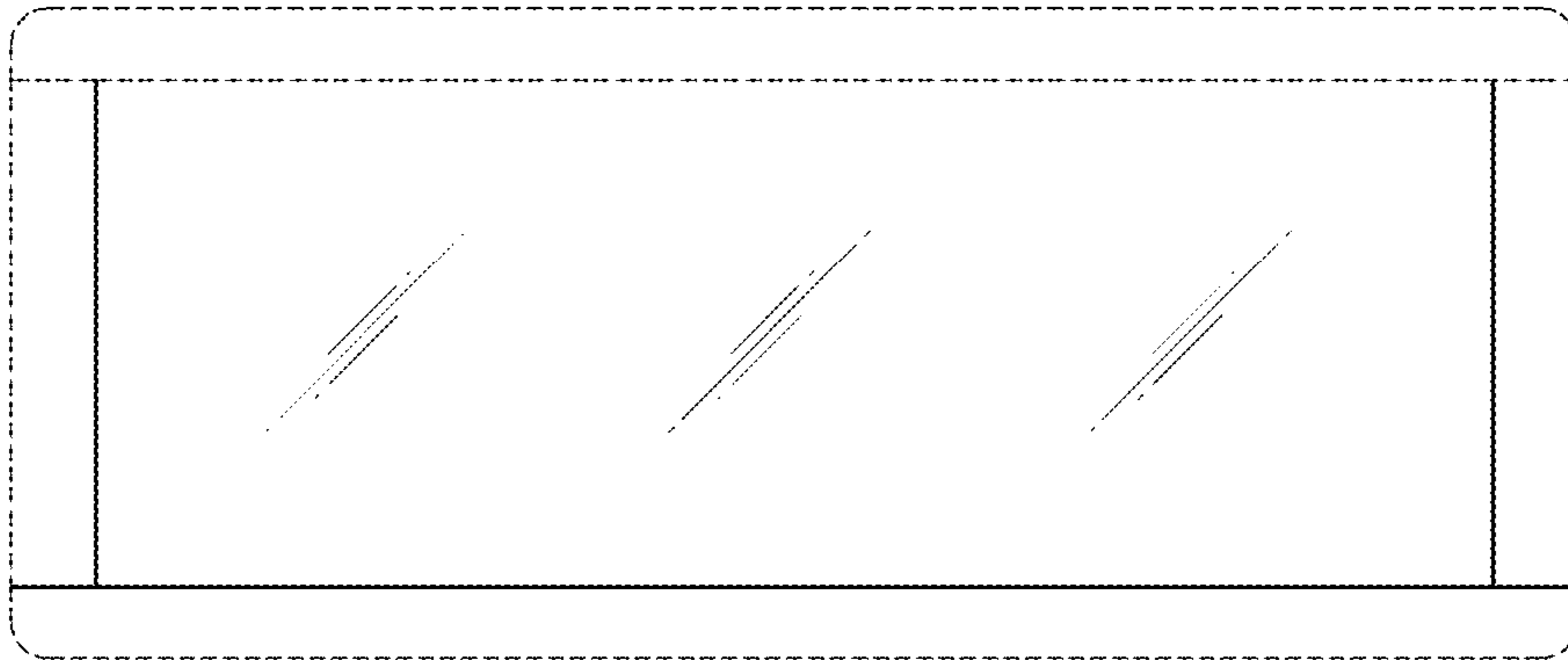


FIG. 3

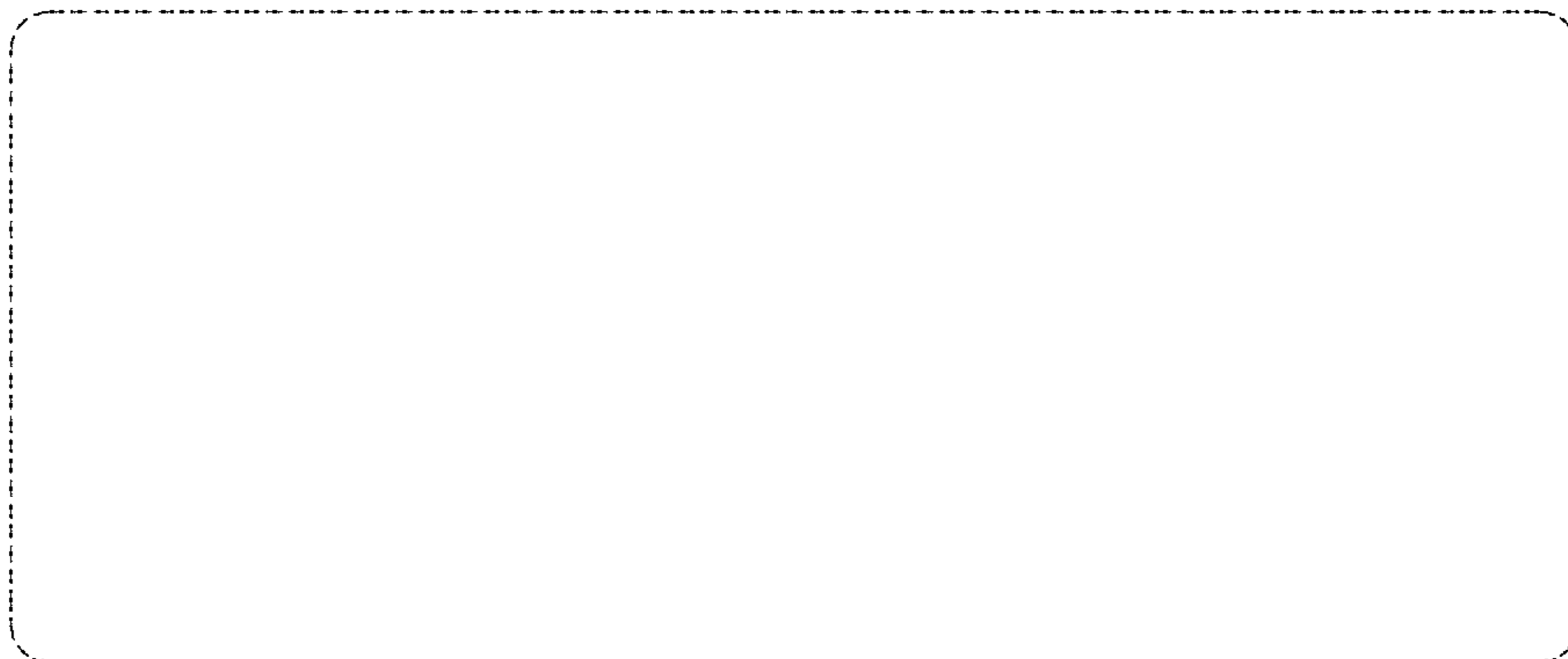


FIG. 4

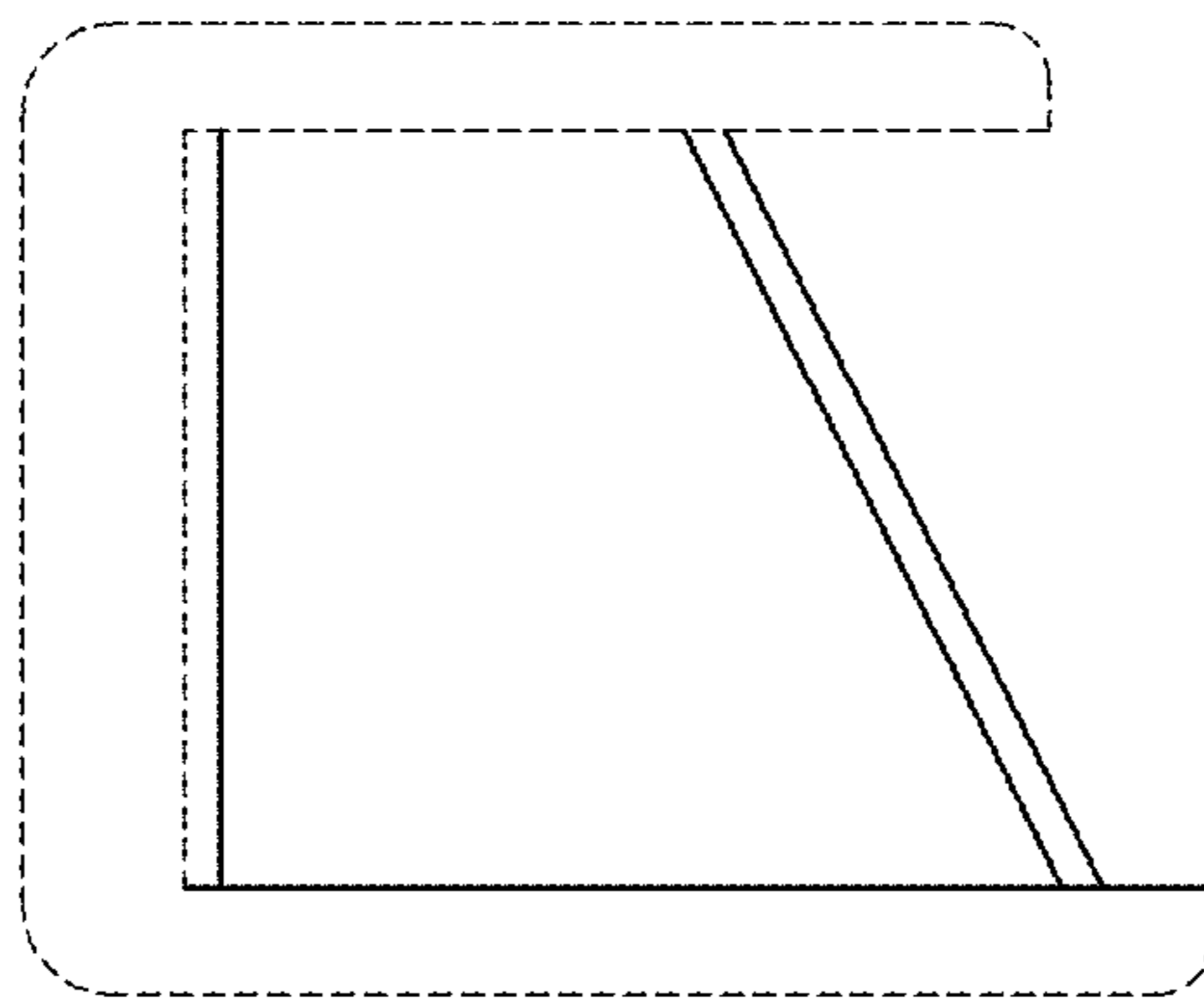


FIG. 5

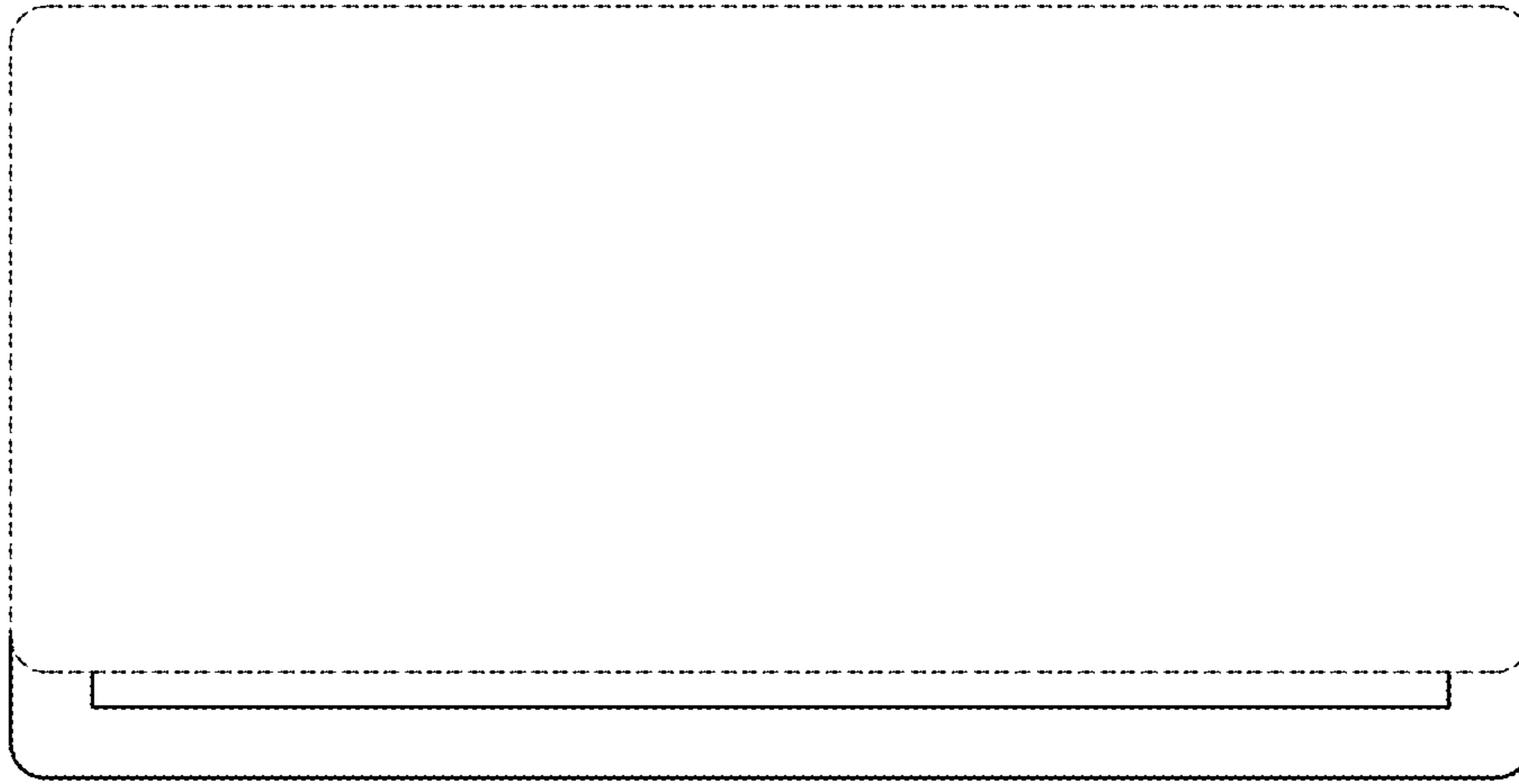


FIG. 6



FIG. 7

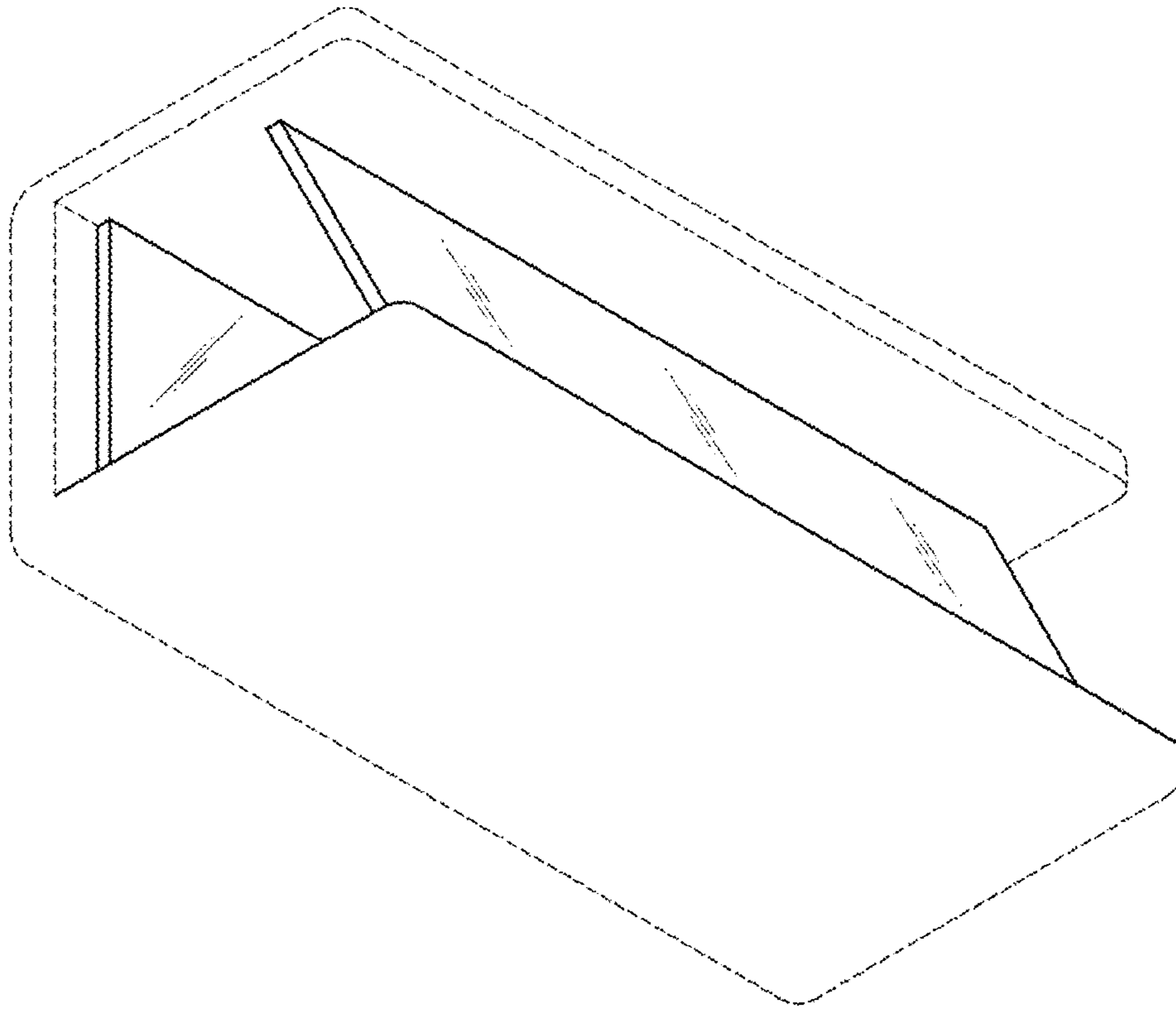


FIG. 8

