



US00D795770S

(12) **United States Design Patent** (10) **Patent No.:** **US D795,770 S**  
**Ohashi et al.** (45) **Date of Patent:** **\*\* Aug. 29, 2017**

(54) **CLIP FOR VEHICLE**  
 (71) Applicant: **DAIWA KASEI INDUSTRY CO., LTD.**, Aichi (JP)  
 (72) Inventors: **Kenji Ohashi**, Aichi (JP); **Takaaki Otoshi**, Aichi (JP); **Hideyuki Kawaguchi**, Aichi (JP)  
 (73) Assignee: **DAIWA KASEI INDUSTRY CO., LTD.**, Aichi (JP)  
 (\*\*) Term: **15 Years**  
 (21) Appl. No.: **29/548,672**  
 (22) Filed: **Dec. 15, 2015**

(30) **Foreign Application Priority Data**  
 Jul. 10, 2015 (JP) ..... 2015-015420  
 (51) **LOC (10) Cl.** ..... **12-08**  
 (52) **U.S. Cl.**  
 USPC ..... **D12/190**  
 (58) **Field of Classification Search**  
 USPC .... D12/190, 192, 400, 90, 91, 92, 199, 197,  
 D12/86, 171, 169, 163, 110, 114  
 (Continued)

(56) **References Cited**  
**U.S. PATENT DOCUMENTS**  
 D678,177 S \* 3/2013 Larregain ..... D12/535  
 D682,807 S \* 5/2013 Stevinson ..... D14/205  
 (Continued)

**FOREIGN PATENT DOCUMENTS**  
 JP 2013-162542 8/2013  
 JP 2014-008290 10/2014

**OTHER PUBLICATIONS**  
 Office Action issued in corresponding Japan patent application dated Feb. 17, 2016.  
 English translation of JP 2014-008290 (published Oct. 27, 2014).

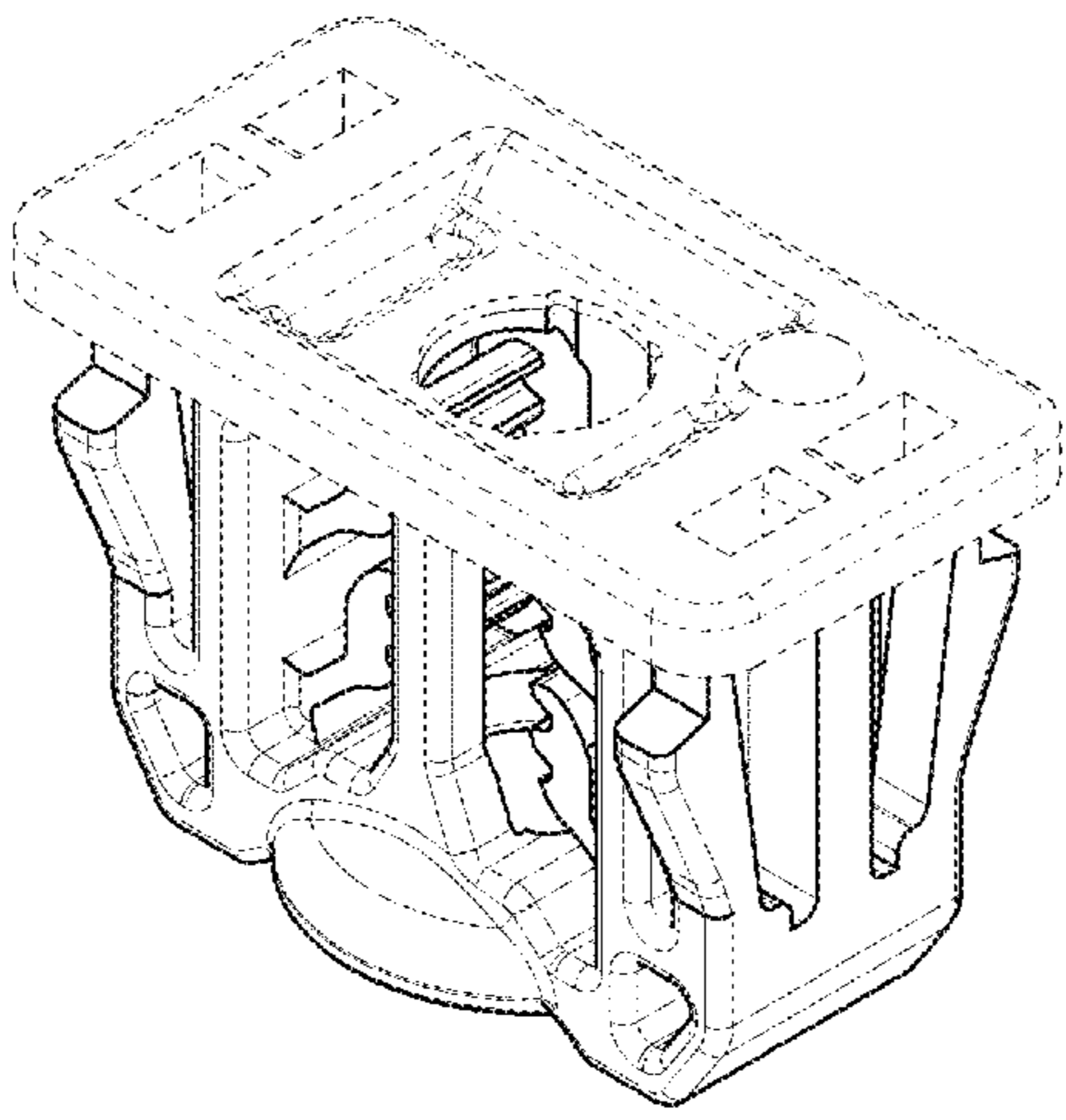
Primary Examiner — Katrina A Betton

(74) *Attorney, Agent, or Firm* — McClure, Qualey & Rodack, LLP

(57) **CLAIM**  
 The ornamental design for a clip for vehicle, as shown and described.

**DESCRIPTION**  
 FIG. 1 is a perspective view viewed from top side of the present invention;  
 FIG. 2 is a perspective view viewed from bottom side thereof;  
 FIG. 3 is a front view thereof;  
 FIG. 4 is a back view thereof;  
 FIG. 5 is a right side view thereof;  
 FIG. 6 is a left side view thereof  
 FIG. 7 is a top plan view thereof;  
 FIG. 8 is a bottom plan view thereof;  
 FIG. 9 is a sectional view taken along line IX-IX in FIG. 3 thereof;  
 FIG. 10 is a sectional view taken along line X-X in FIG. 3 thereof;  
 FIG. 11 is a perspective sectional view taken along line XI-XI in FIG. 3 thereof;  
 FIG. 12 is a sectional view taken along line XII-XII in FIG. 5 thereof;  
 FIG. 13 is a perspective sectional view taken along line XIII-XIII in FIG. 5; thereof;  
 FIG. 14 is a perspective sectional view taken along line XIV-XIV in FIG. 7; thereof;  
 FIG. 15 is a sectional view taken along line XV-XV in FIG. 3 thereof;  
 FIG. 16 is a sectional view taken along line XVI-XVI in FIG. 3 thereof;  
 FIG. 17 is an exploded cross-sectional view thereof; and,  
 FIG. 18 is a cross-sectional view showing the clip in use.  
 The broken lines shown in the drawings are for environmental or illustrative purposes only and form no part of the claimed design.

**1 Claim, 9 Drawing Sheets**



(58) **Field of Classification Search**

CPC ..... B60R 13/02; B60R 13/04  
See application file for complete search history.

(56) **References Cited**

U.S. PATENT DOCUMENTS

D723,106 S \* 2/2015 Kino ..... D21/455  
2015/0145585 A1\* 5/2015 Tsai ..... H03H 17/028  
327/341  
2015/0201972 A1\* 7/2015 Doubler ..... A61B 17/7002  
606/266  
2015/0240847 A1\* 8/2015 Nosalik ..... A63H 33/101  
24/455  
2015/0283957 A1\* 10/2015 Dickinson ..... F16B 5/123  
24/303  
2015/0291252 A1\* 10/2015 Coderre ..... B62M 3/086  
74/594.4  
2015/0293379 A1\* 10/2015 Votel ..... G02C 11/08  
351/62

\* cited by examiner

FIG. 1

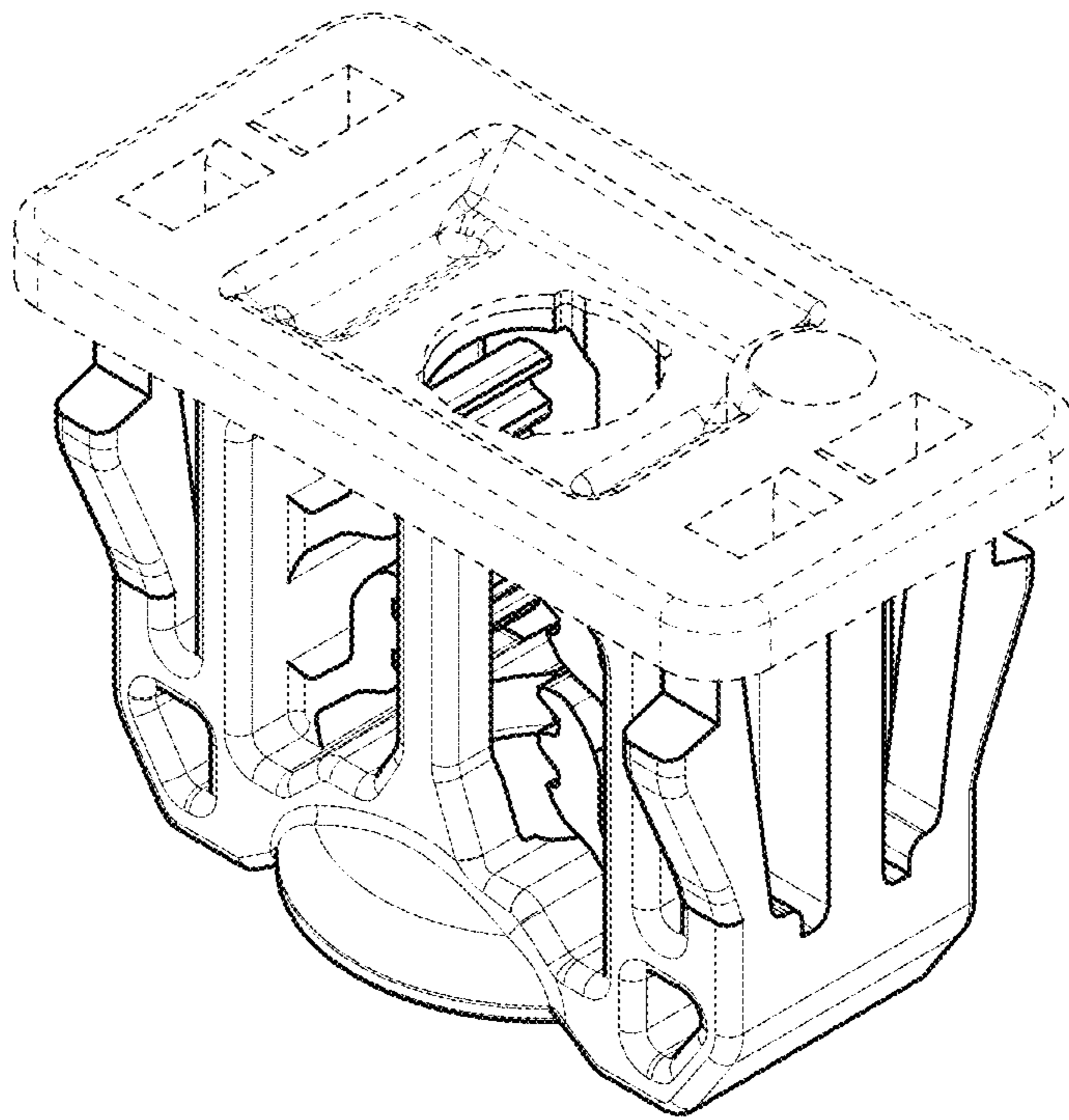


FIG. 2

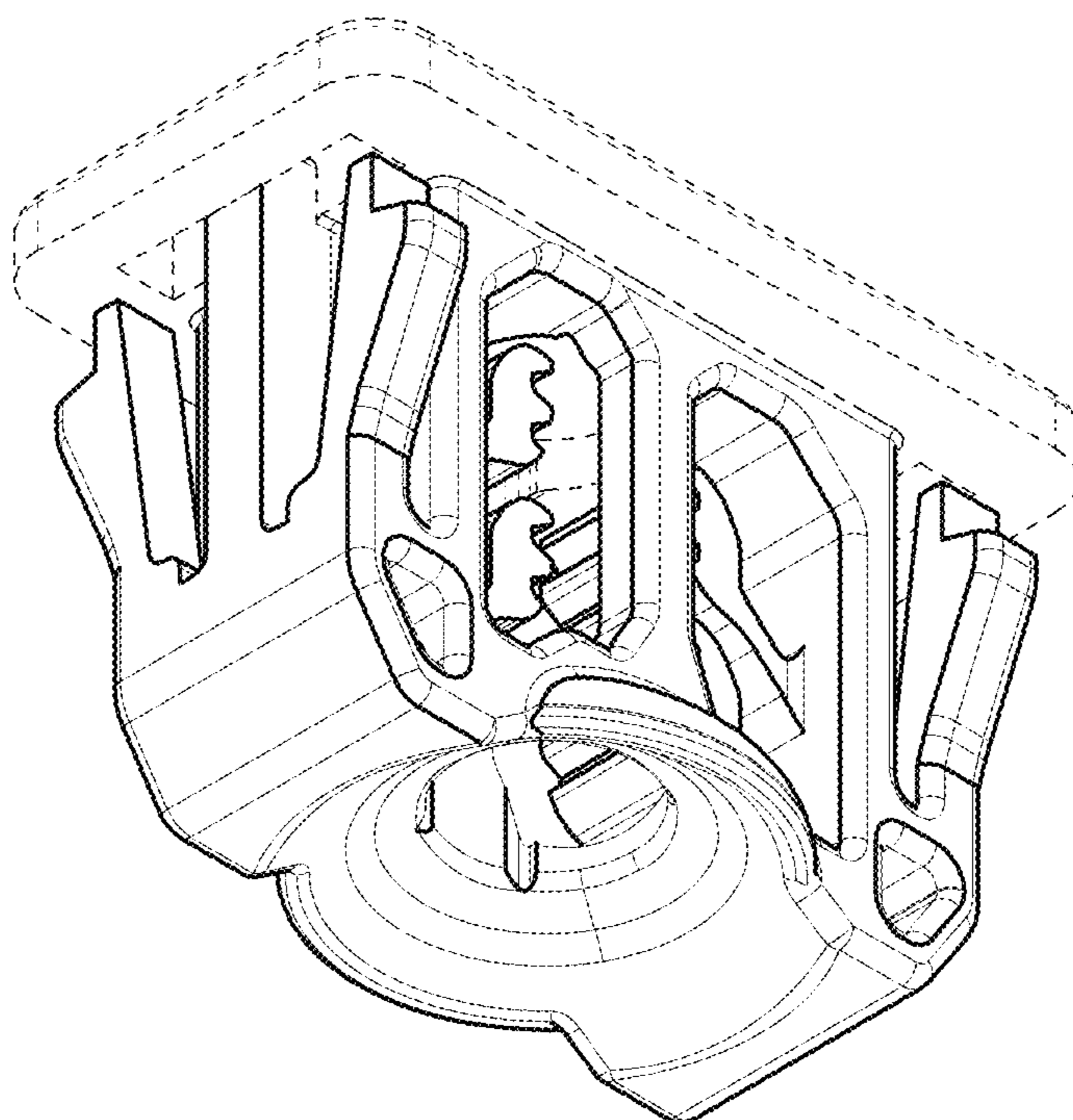


FIG.3

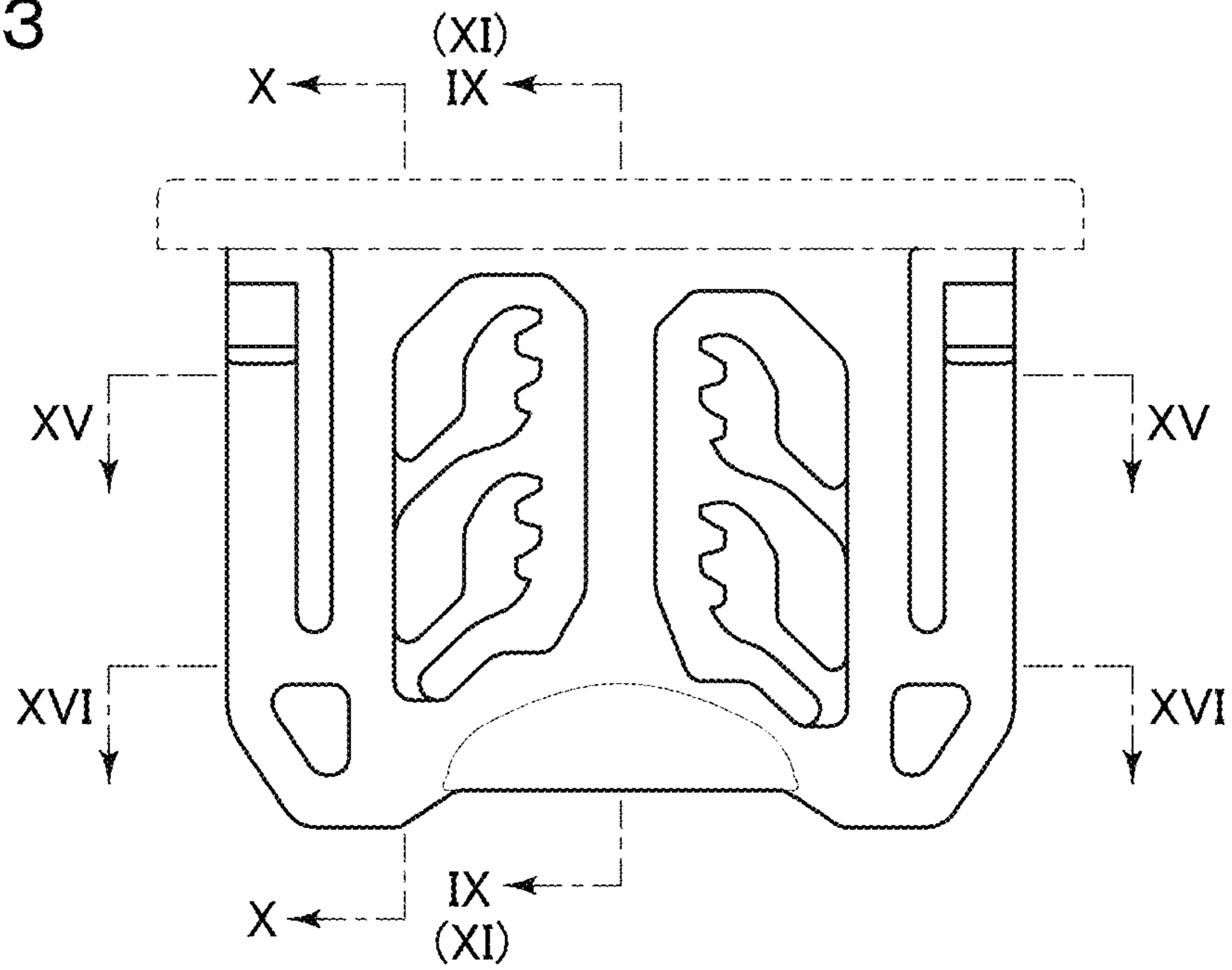


FIG.4

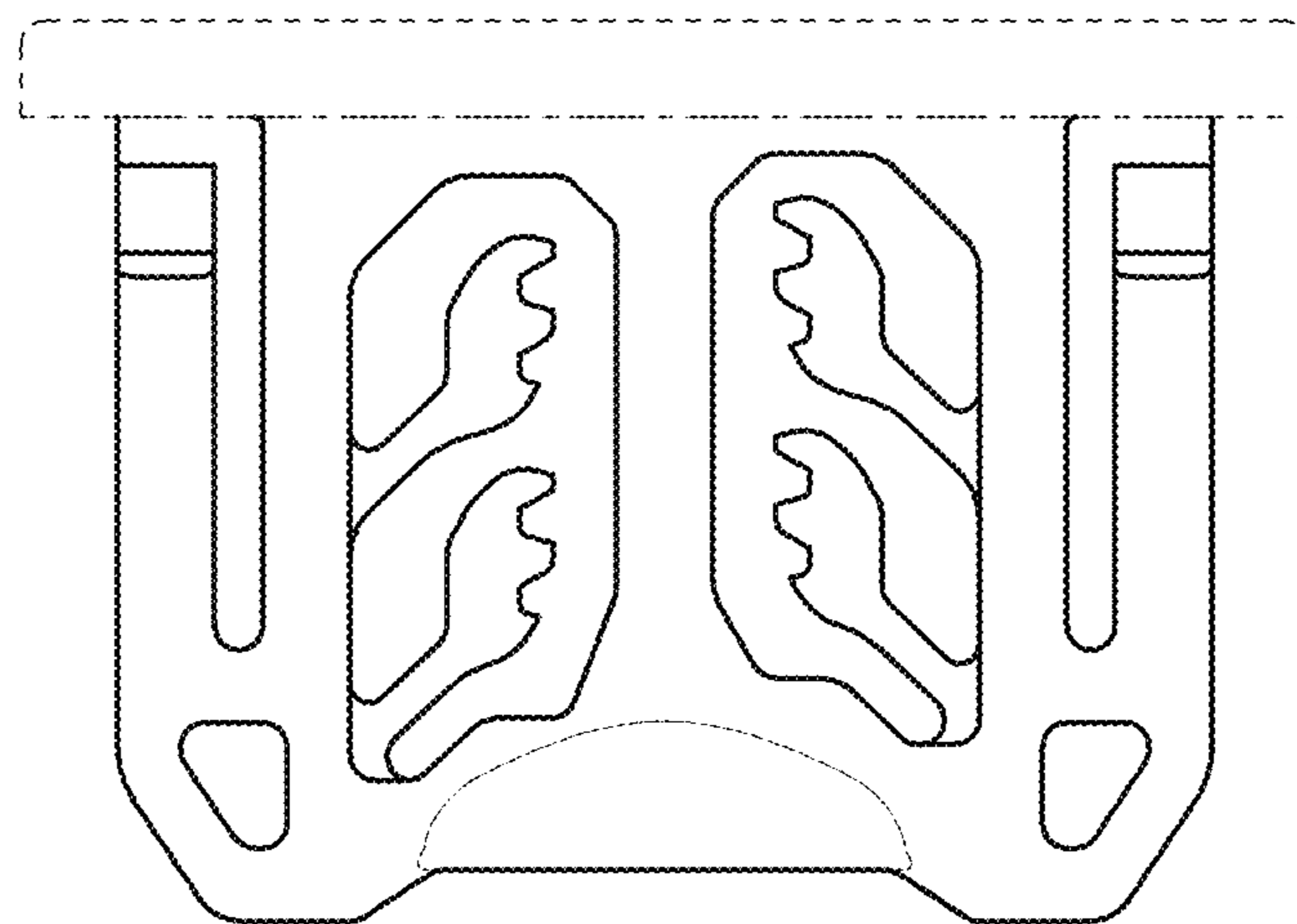




FIG. 5

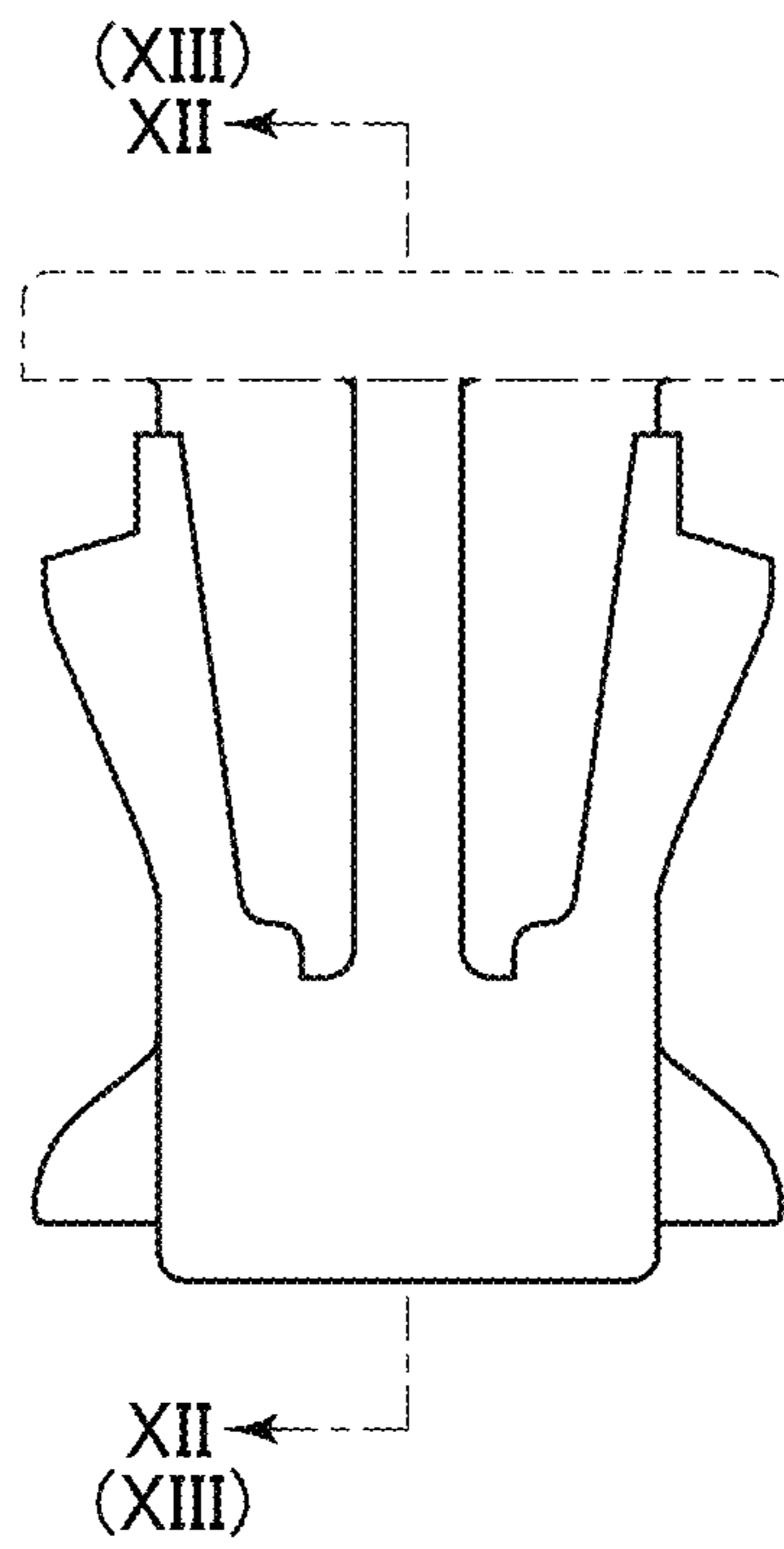


FIG. 6

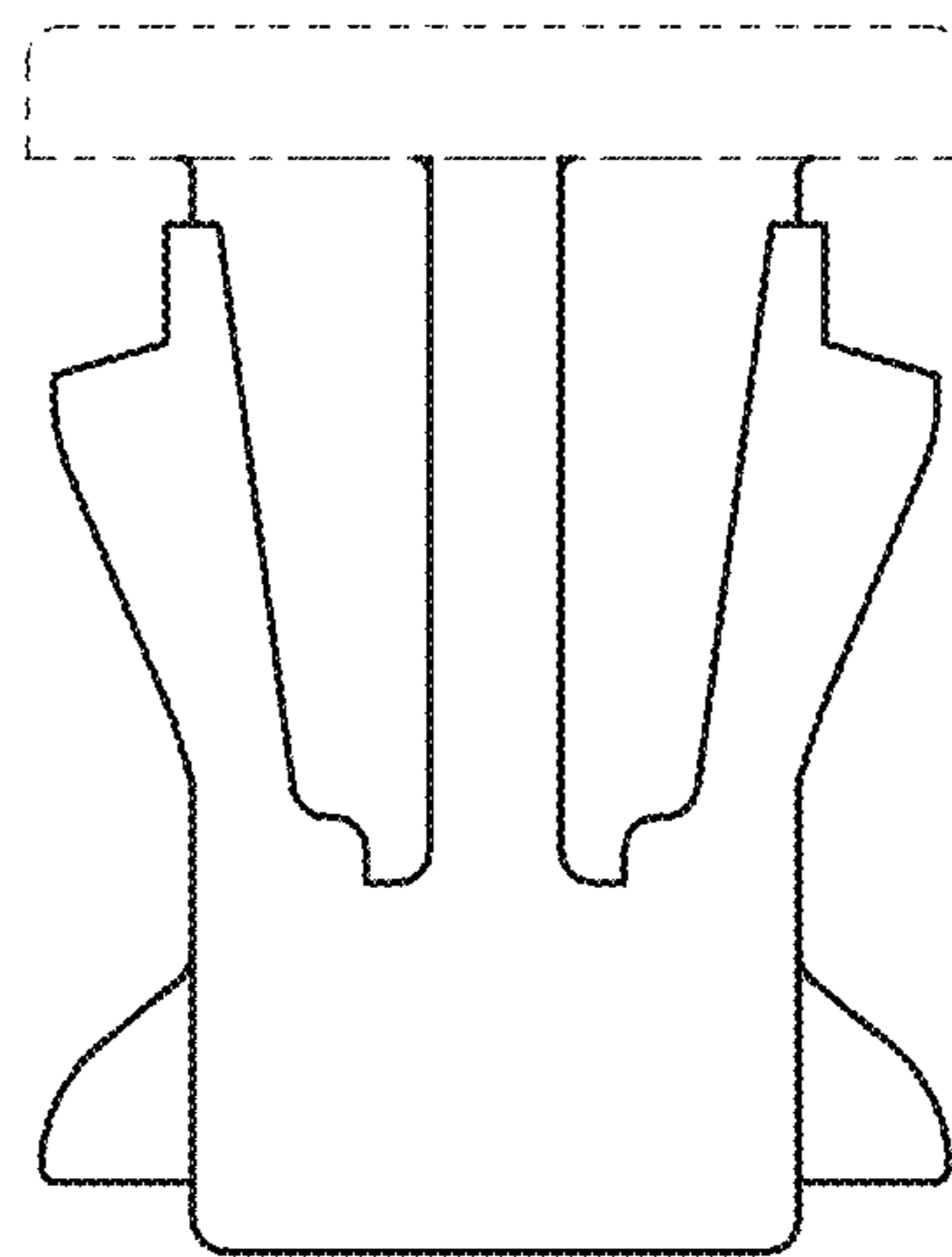


FIG.7

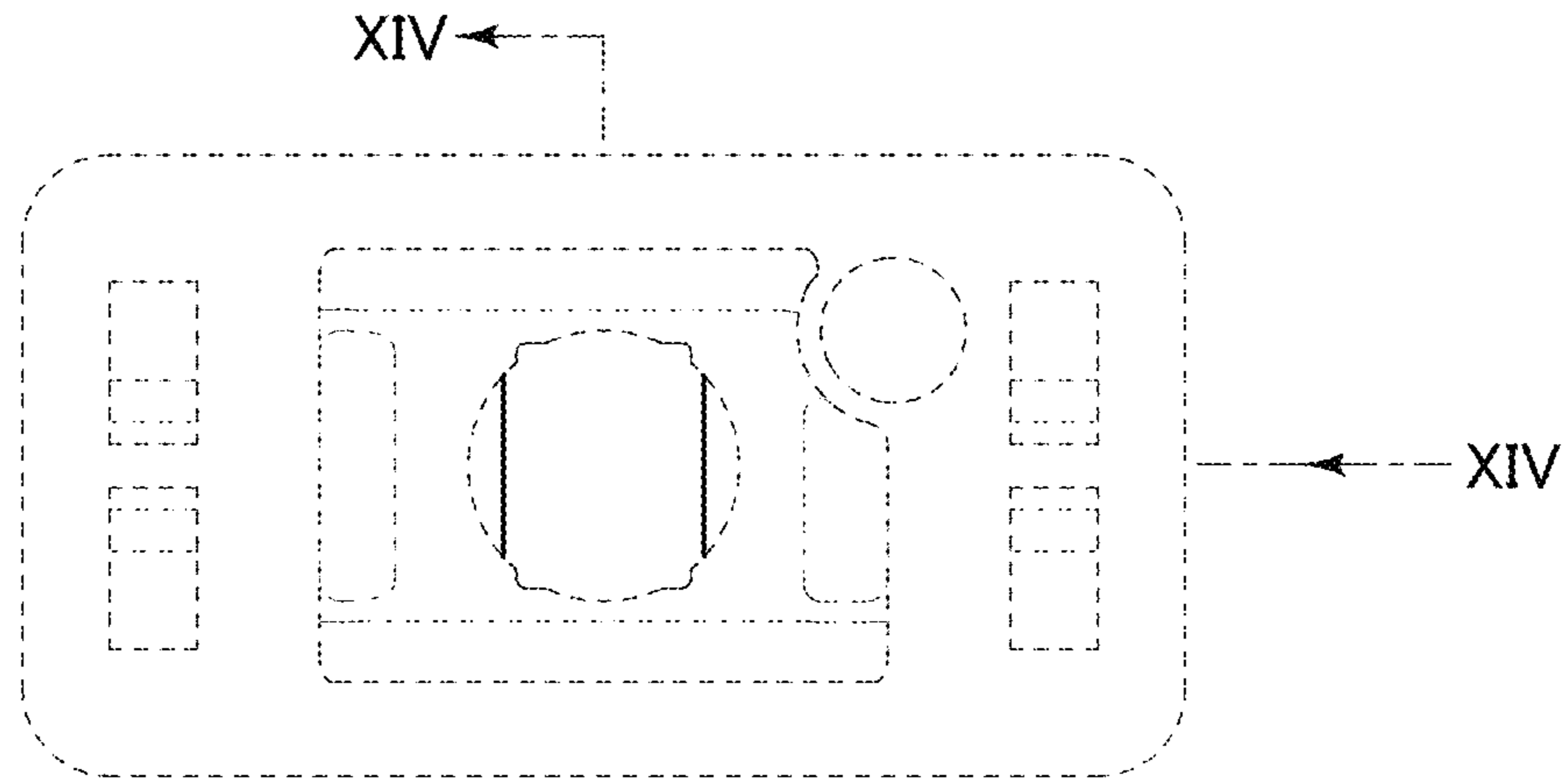


FIG.8

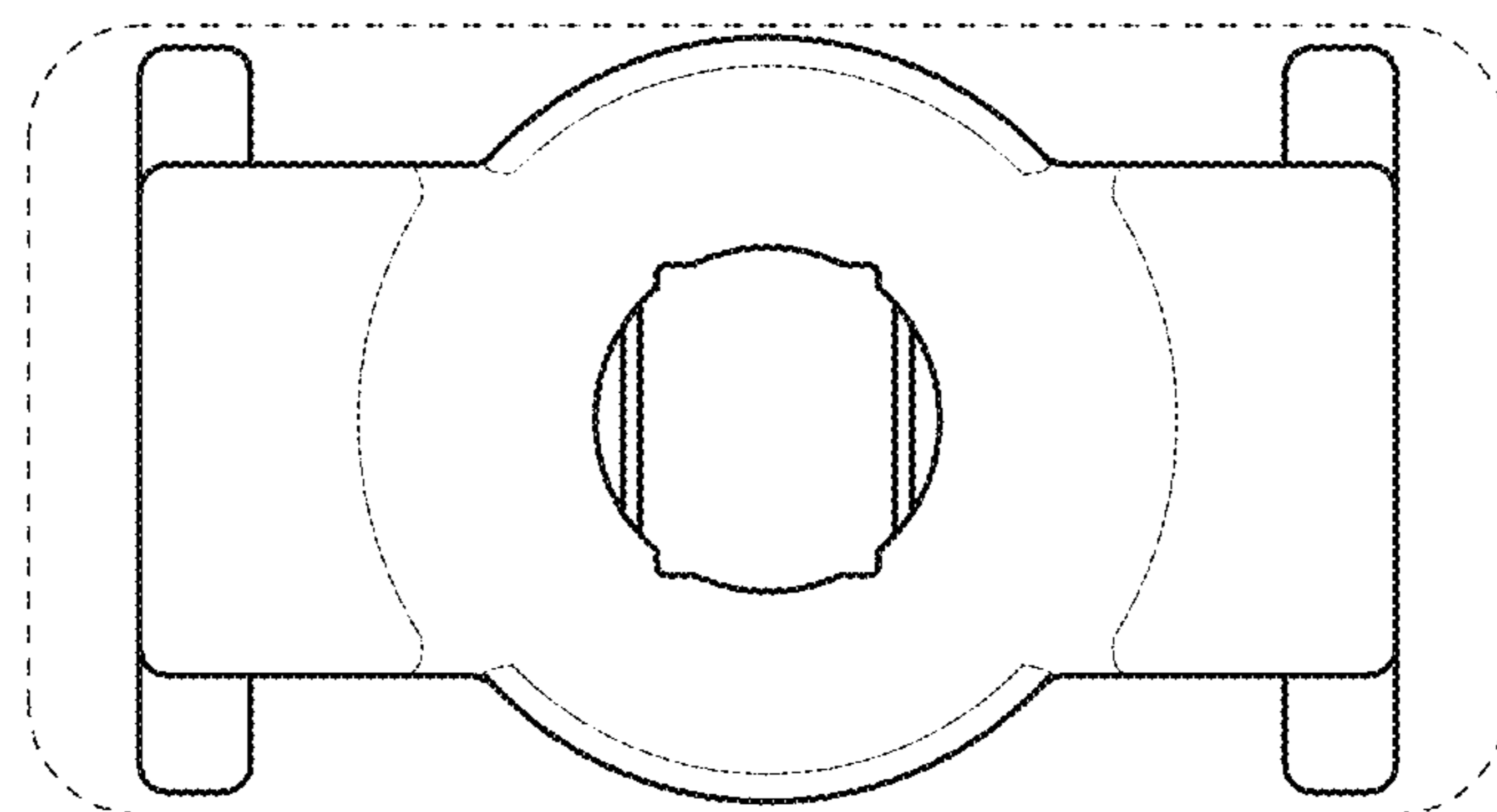


FIG. 9

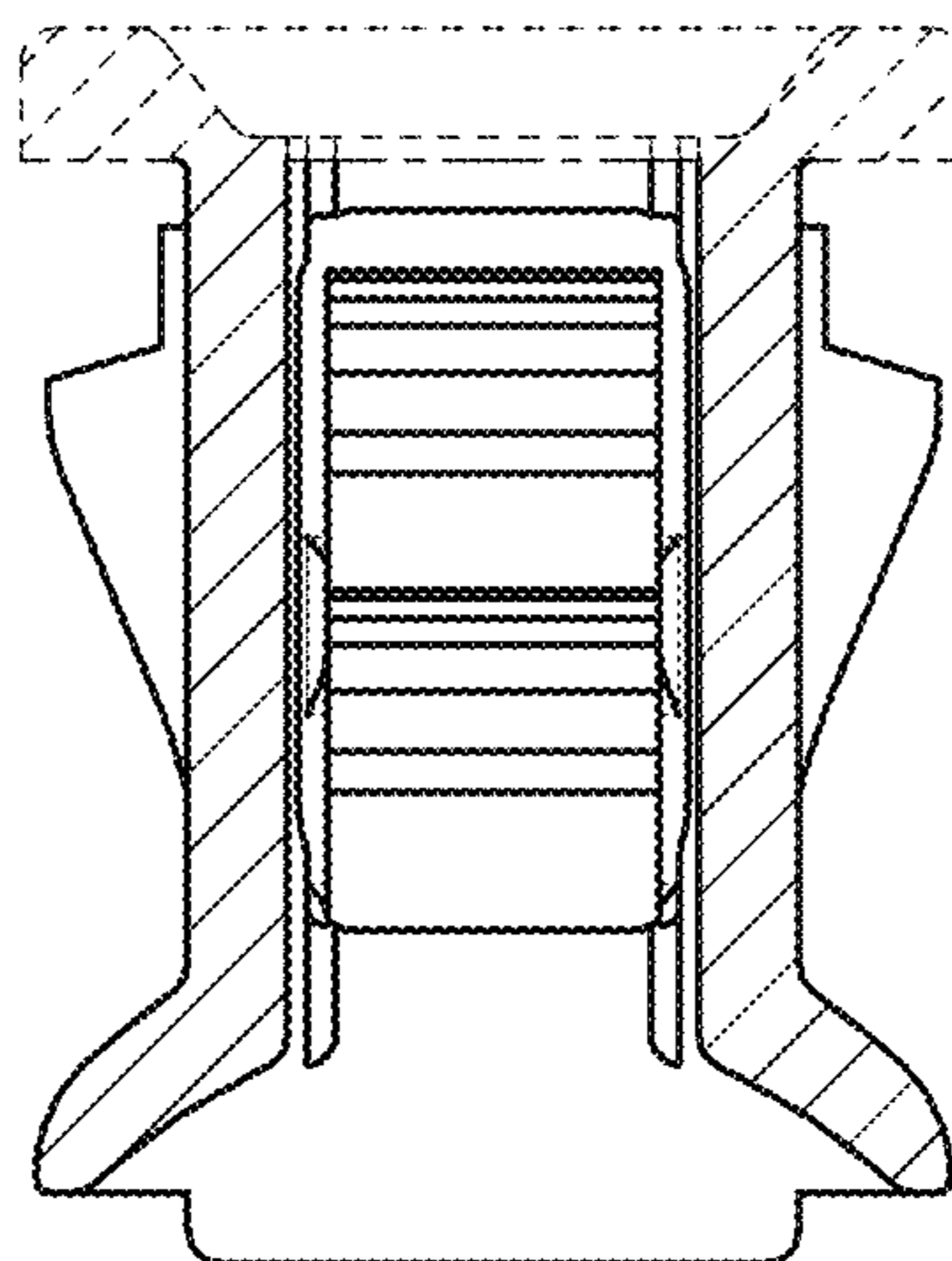


FIG. 10

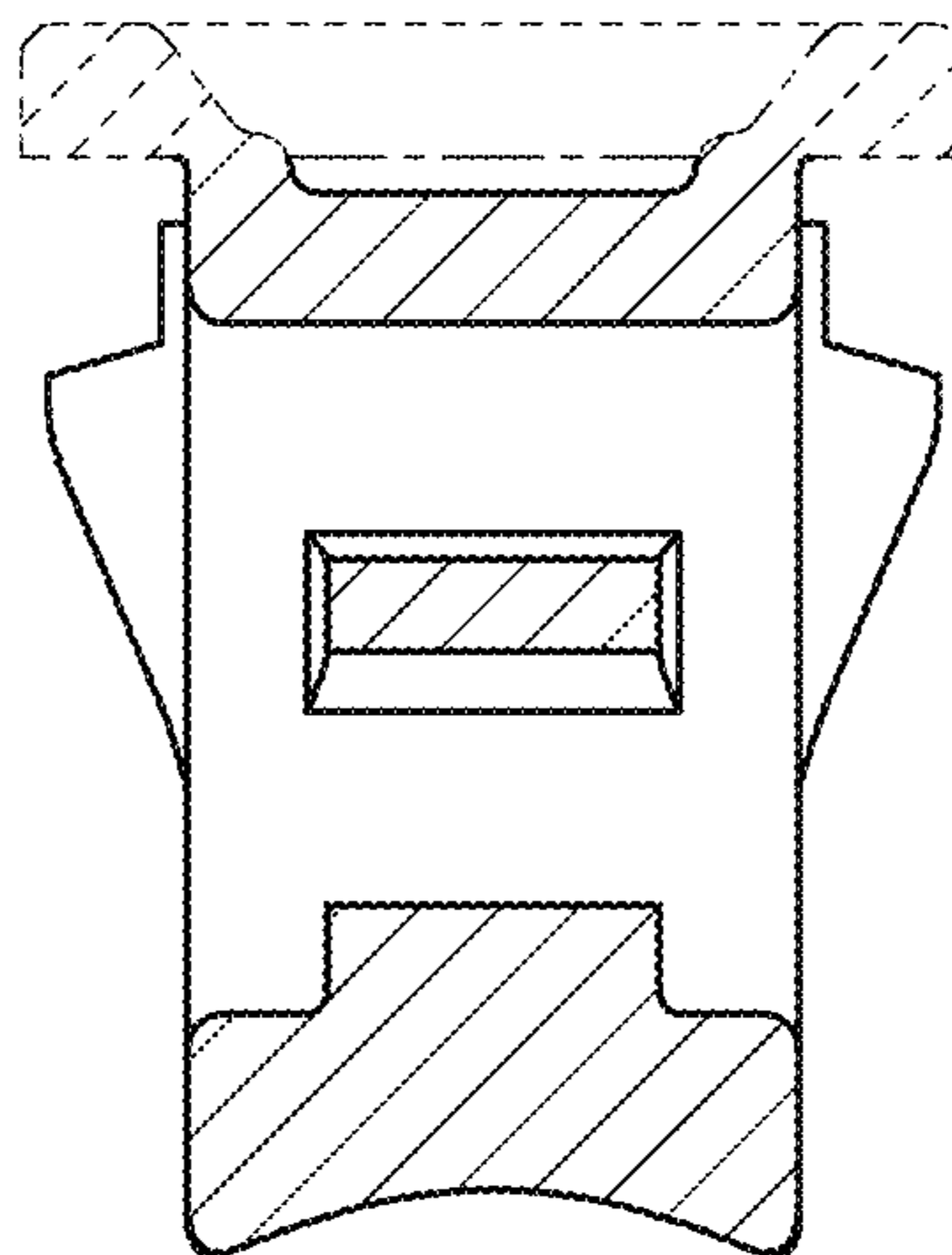


FIG. 11

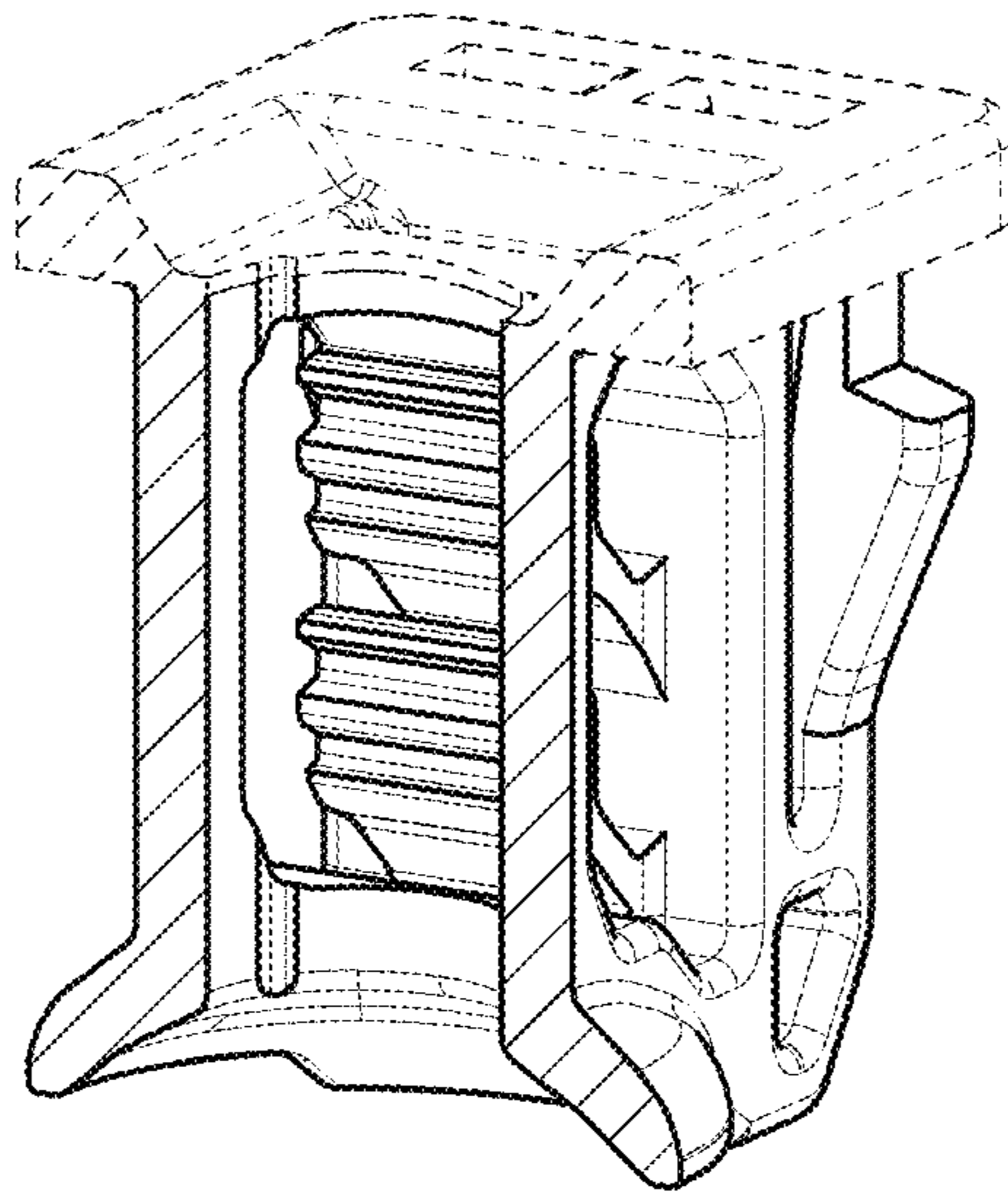


FIG. 12

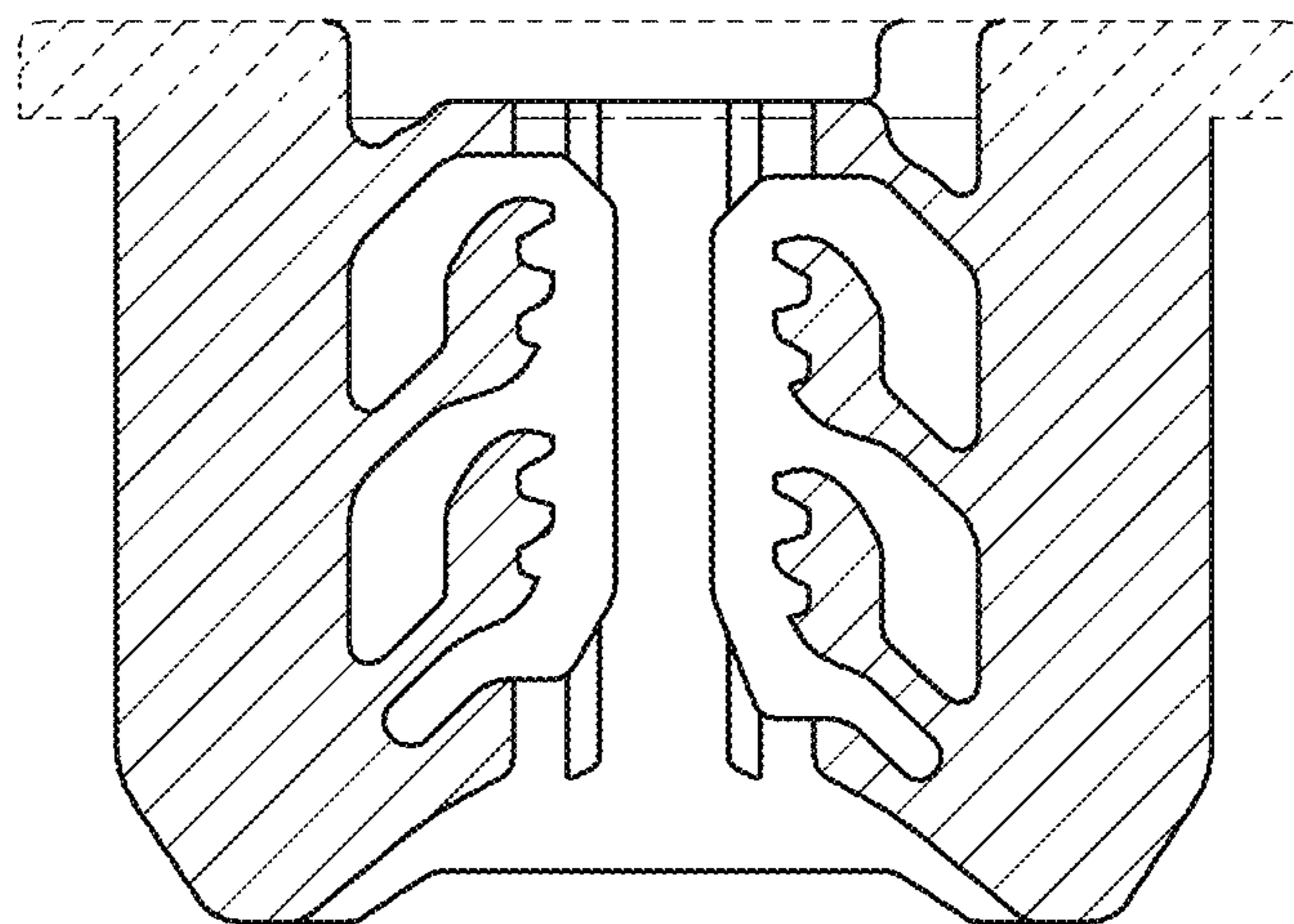




FIG. 13

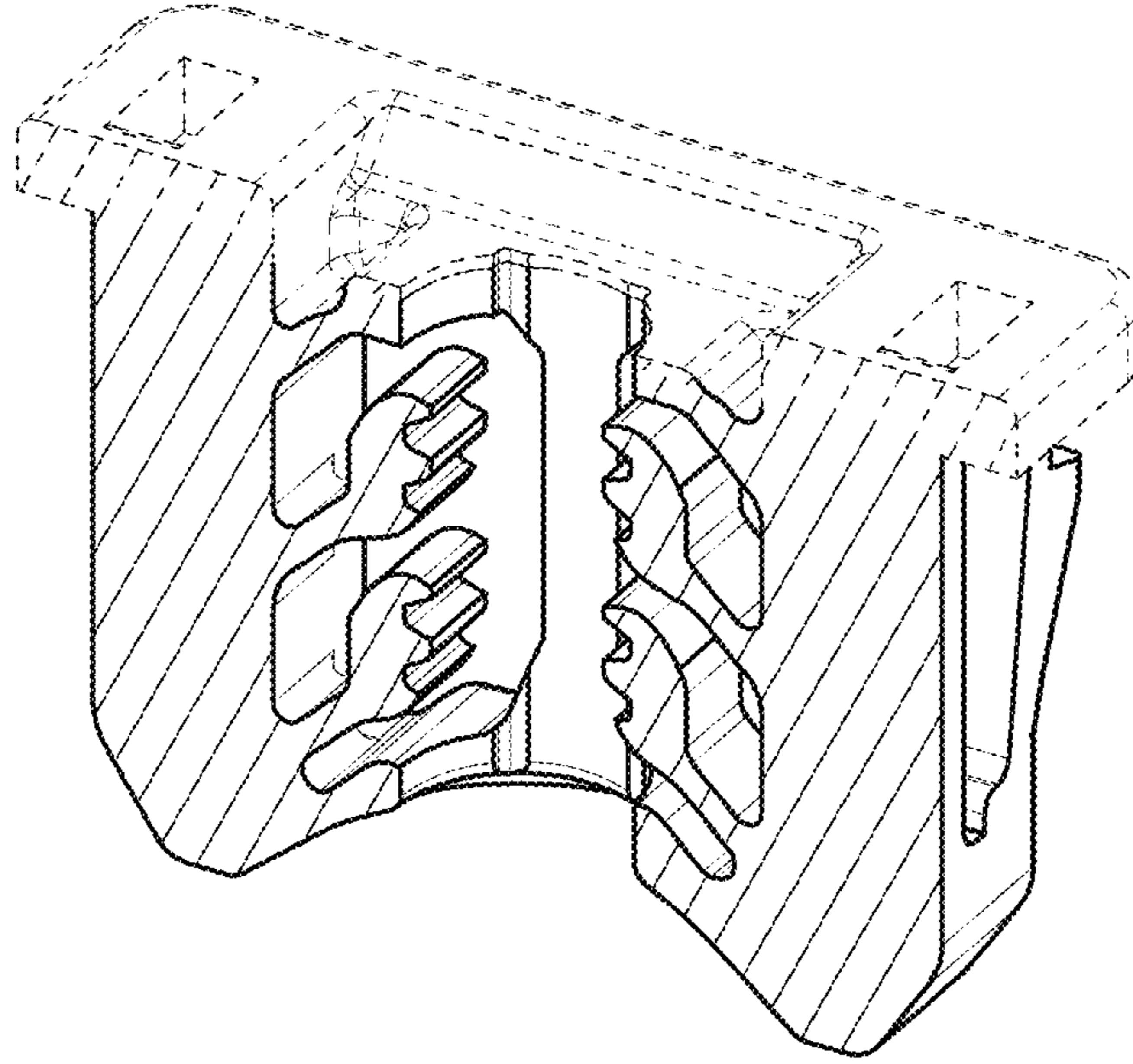


FIG. 14

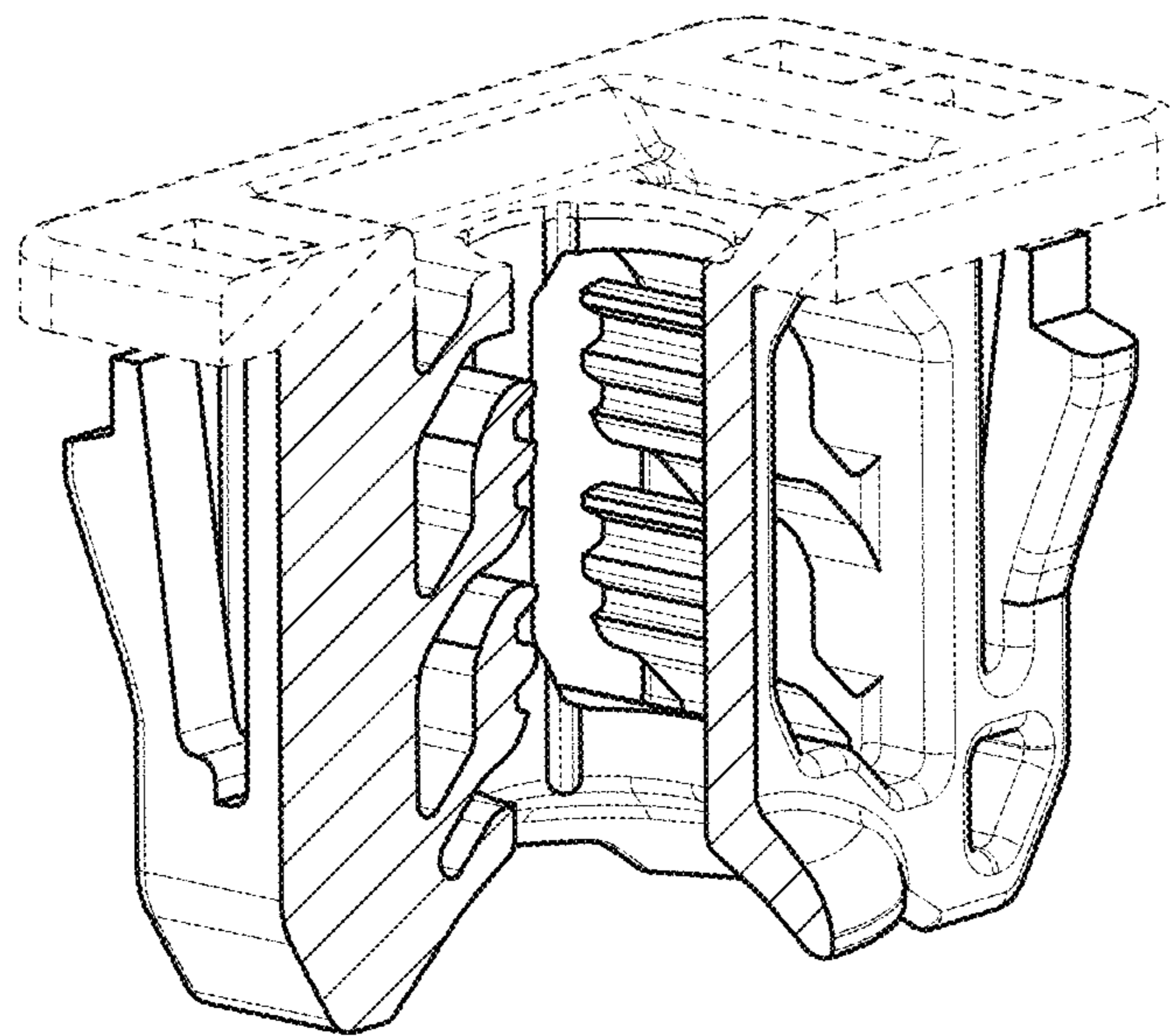


FIG. 15

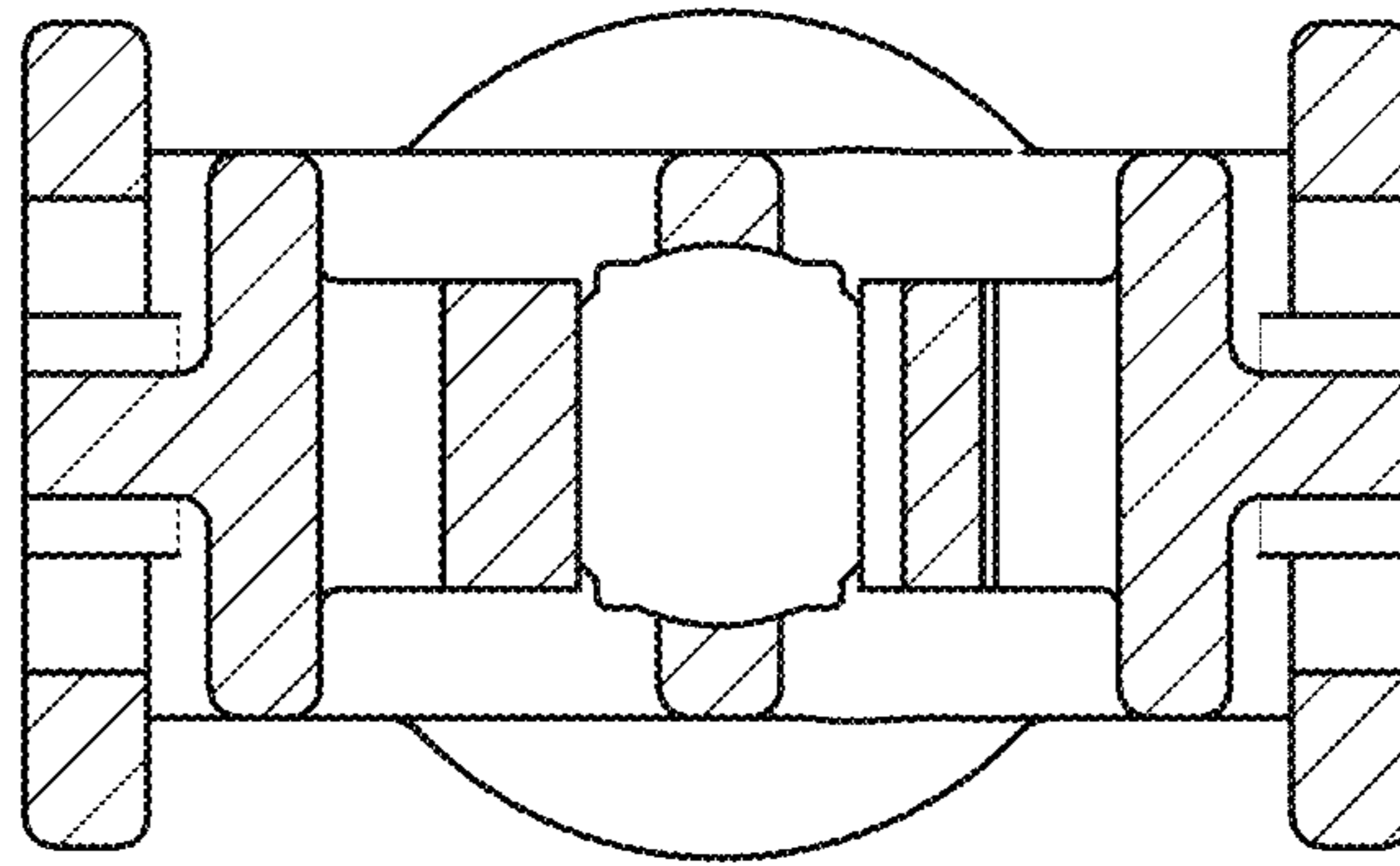


FIG. 16

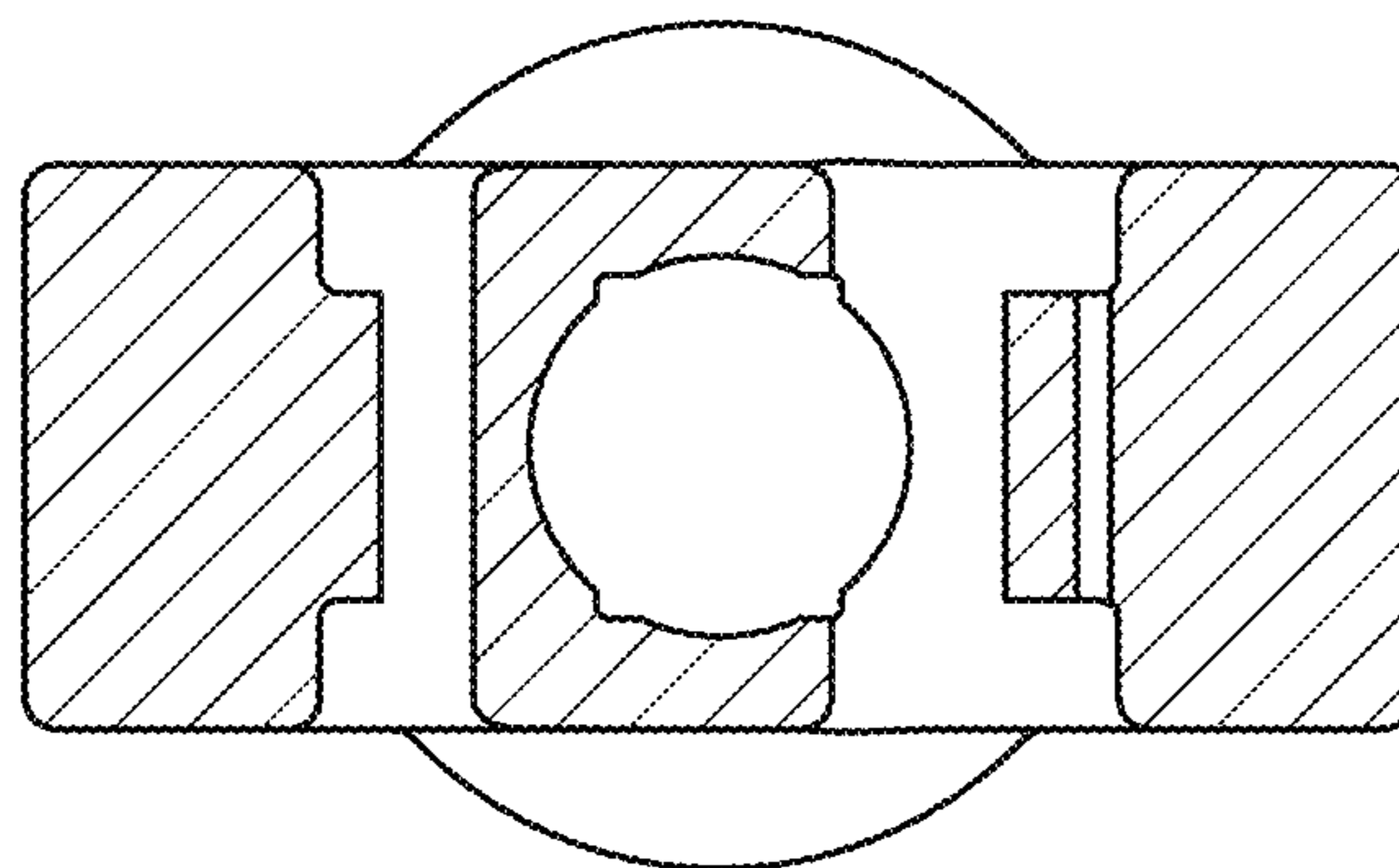


FIG. 17

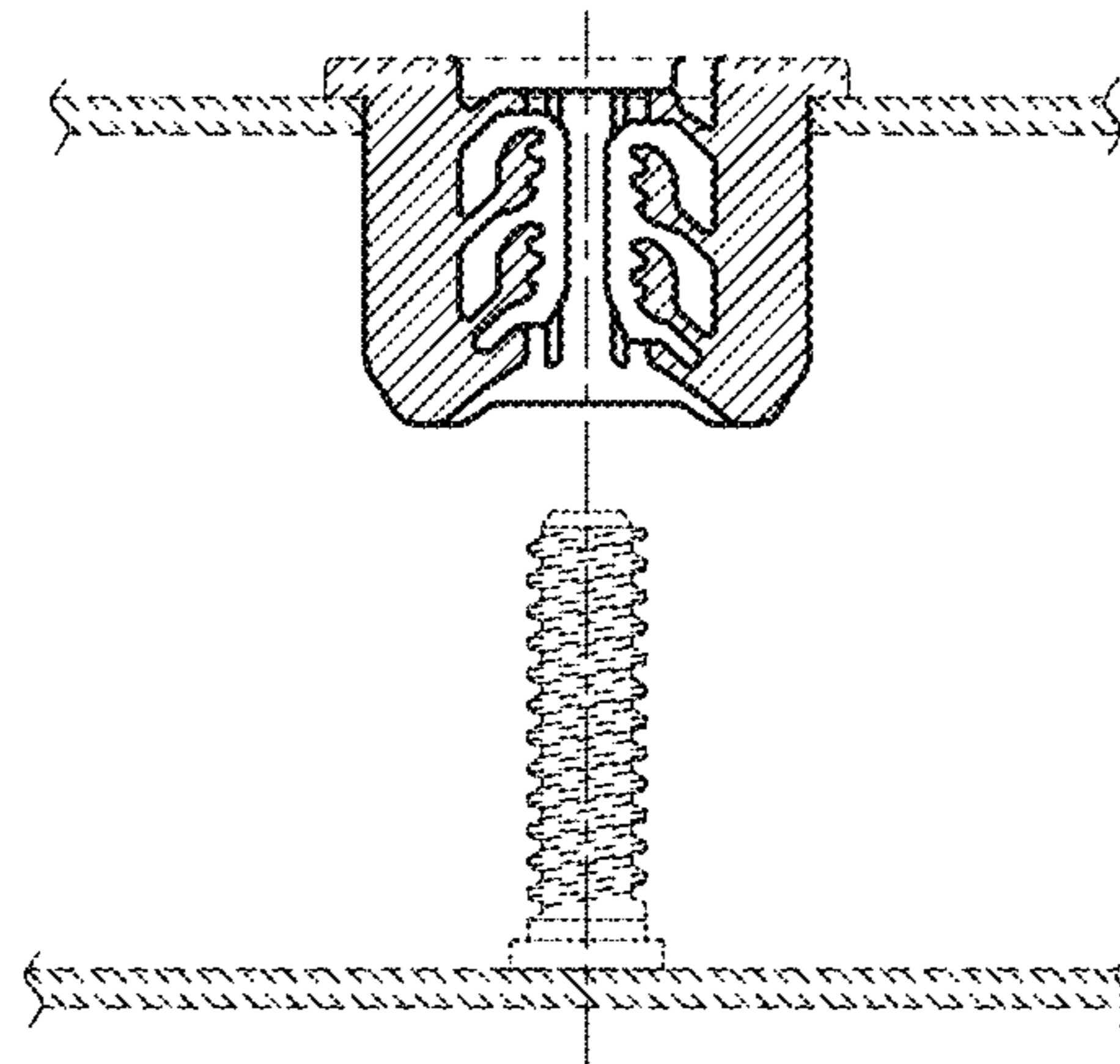


FIG. 18

