



US00D795769S

(12) **United States Design Patent** (10) **Patent No.:** **US D795,769 S**
Ohashi et al. (45) **Date of Patent:** **** Aug. 29, 2017**

(54) **CLIP FOR VEHICLE**

Primary Examiner — Katrina A Betton

(71) Applicant: **DAIWA KASEI INDUSTRY CO., LTD.**, Aichi (JP)

(74) *Attorney, Agent, or Firm* — McClure, Qualey & Rodack, LLP

(72) Inventors: **Kenji Ohashi**, Aichi (JP); **Takaaki Otoshi**, Aichi (JP); **Hideyuki Kawaguchi**, Aichi (JP)

(57) **CLAIM**

The ornamental design for a clip for vehicle, as shown and described.

(73) Assignee: **DAIWA KASEI INDUSTRY CO., LTD.**, Aichi (JP)

DESCRIPTION

(**) Term: **15 Years**

(21) Appl. No.: **29/548,670**

(22) Filed: **Dec. 15, 2015**

(30) **Foreign Application Priority Data**

Jul. 10, 2015 (JP) 2015-015407

(51) **LOC (10) Cl.** **12-08**

(52) **U.S. Cl.**
USPC **D12/190**

(58) **Field of Classification Search**
USPC D12/190, 192, 400, 90, 91, 92, 199, 197,
D12/86, 171, 169, 163, 110, 114
(Continued)

FIG. 1 is a perspective view viewed from top side of the present invention;
 FIG. 2 is a perspective view viewed from bottom side thereof;
 FIG. 3 is a front view thereof;
 FIG. 4 is a back view thereof;
 FIG. 5 is a right side view thereof;
 FIG. 6 is a left side view thereof;
 FIG. 7 is a top plan view thereof;
 FIG. 8 is a bottom plan view thereof;
 FIG. 9 is a sectional view taken along line IX-IX in FIG. 3 thereof;
 FIG. 10 is a sectional view taken along line X-X in FIG. 3 thereof;
 FIG. 11 is a perspective sectional view taken along line XI-XI in FIG. 3 thereof;
 FIG. 12 is a sectional view taken along line XII-XII in FIG. 5 thereof;
 FIG. 13 is a perspective sectional view taken along line XIII-XIII in FIG. 5 thereof;
 FIG. 14 is a perspective sectional view taken along line XIV-XIV in FIG. 7 thereof;
 FIG. 15 is a sectional view taken along line XV-XV in FIG. 3 thereof;
 FIG. 16 is a sectional view taken along line XVI-XVI in FIG. 3 thereof;
 FIG. 17 is an exploded cross-sectional view thereof; and,
 FIG. 18 is a cross-sectional view showing the clip in use. The broken lines shown in the drawings are for environmental or illustrative purposes only and form no part of the claimed design.

(56) **References Cited**

U.S. PATENT DOCUMENTS

D678,177 S * 3/2013 Larregain D12/535
D682,807 S * 5/2013 Stevinson D14/205
(Continued)

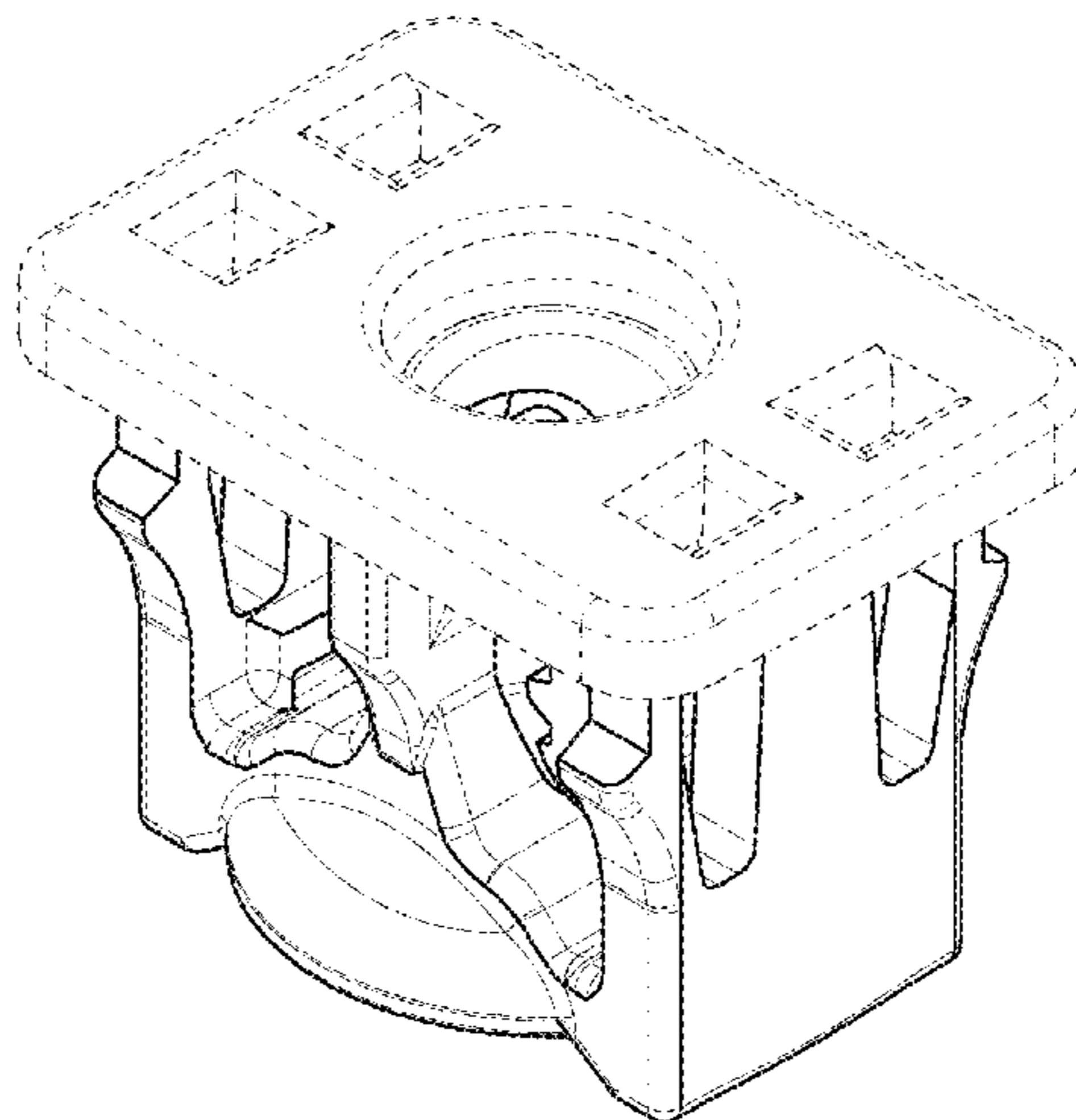
FOREIGN PATENT DOCUMENTS

JP 2014-008290 10/2014

OTHER PUBLICATIONS

English translation of JP 2014-008290 (published Oct. 27, 2014).

1 Claim, 9 Drawing Sheets



(58) **Field of Classification Search**

CPC B60R 13/02; B60R 13/04
See application file for complete search history.

(56) **References Cited**

U.S. PATENT DOCUMENTS

D723,106 S * 2/2015 Kino D21/455
2015/0145585 A1* 5/2015 Tsai H03H 17/028
327/341
2015/0201972 A1* 7/2015 Doubler A61B 17/7002
606/266
2015/0240847 A1* 8/2015 Nosalik A63H 33/101
24/455
2015/0283957 A1* 10/2015 Dickinson F16B 5/123
24/303
2015/0291252 A1* 10/2015 Coderre B62M 3/086
74/594.4
2015/0293379 A1* 10/2015 Votel G02C 11/08
351/62

* cited by examiner

FIG. 1

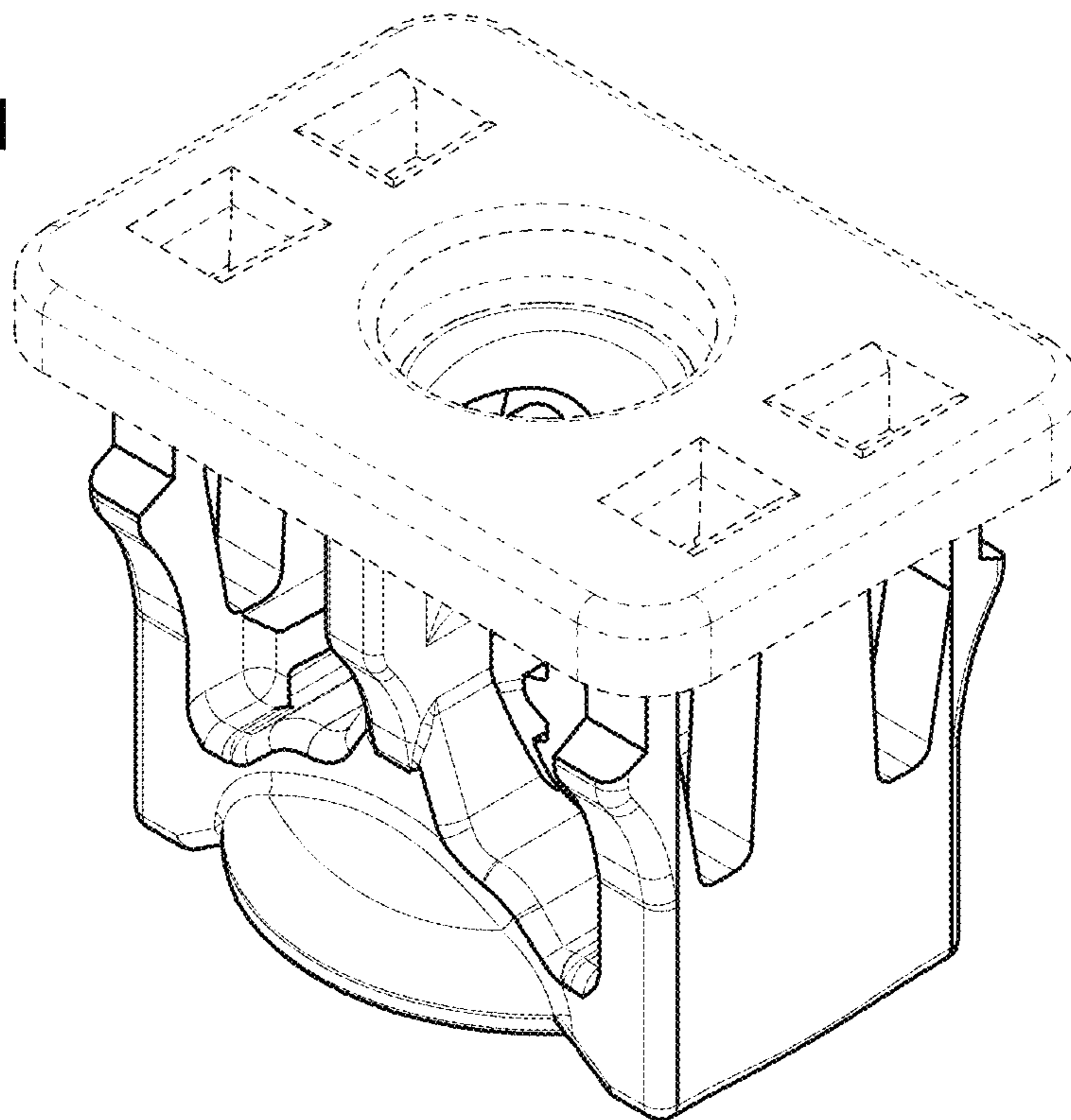


FIG. 2

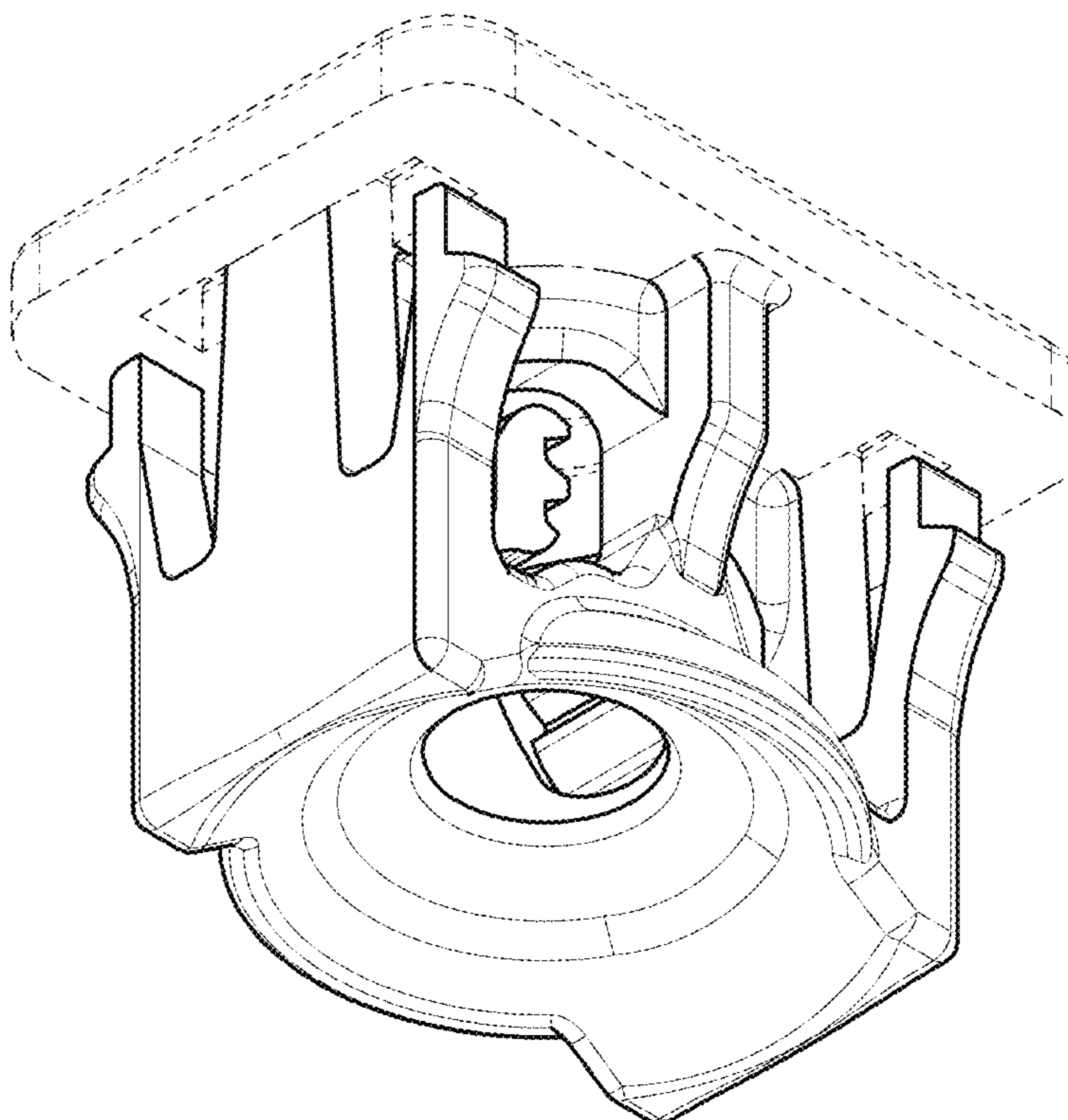


FIG.3

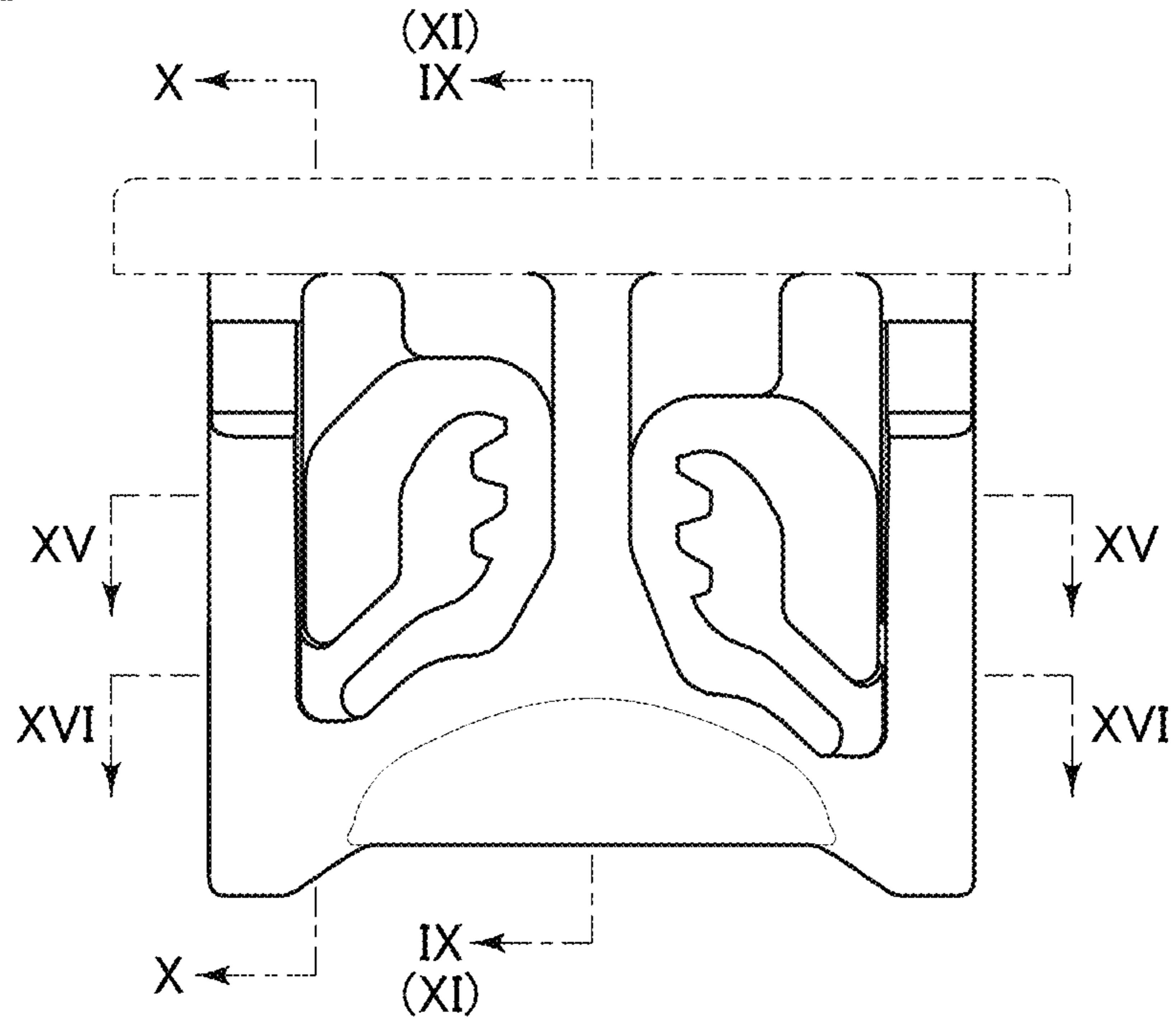


FIG.4

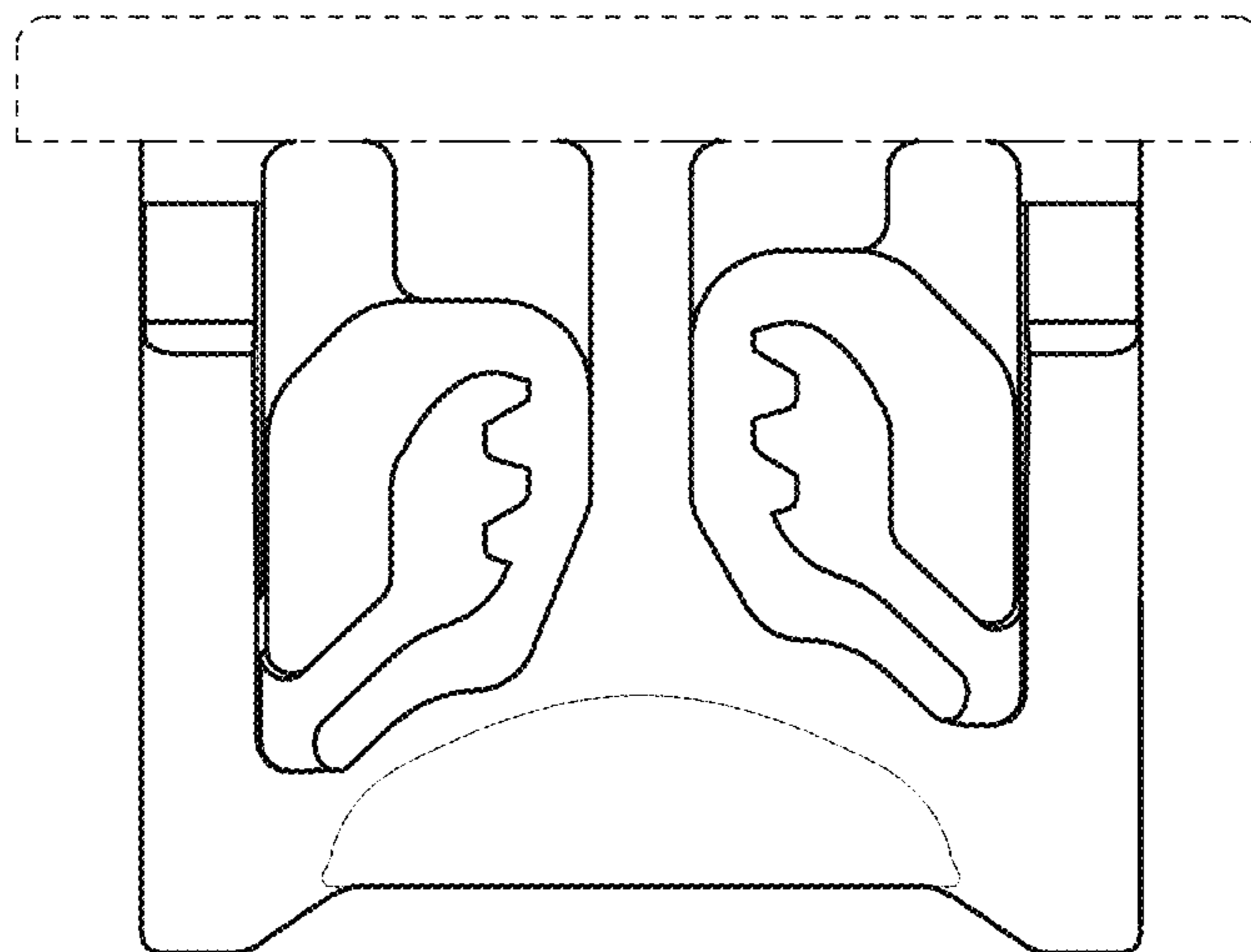


FIG.5

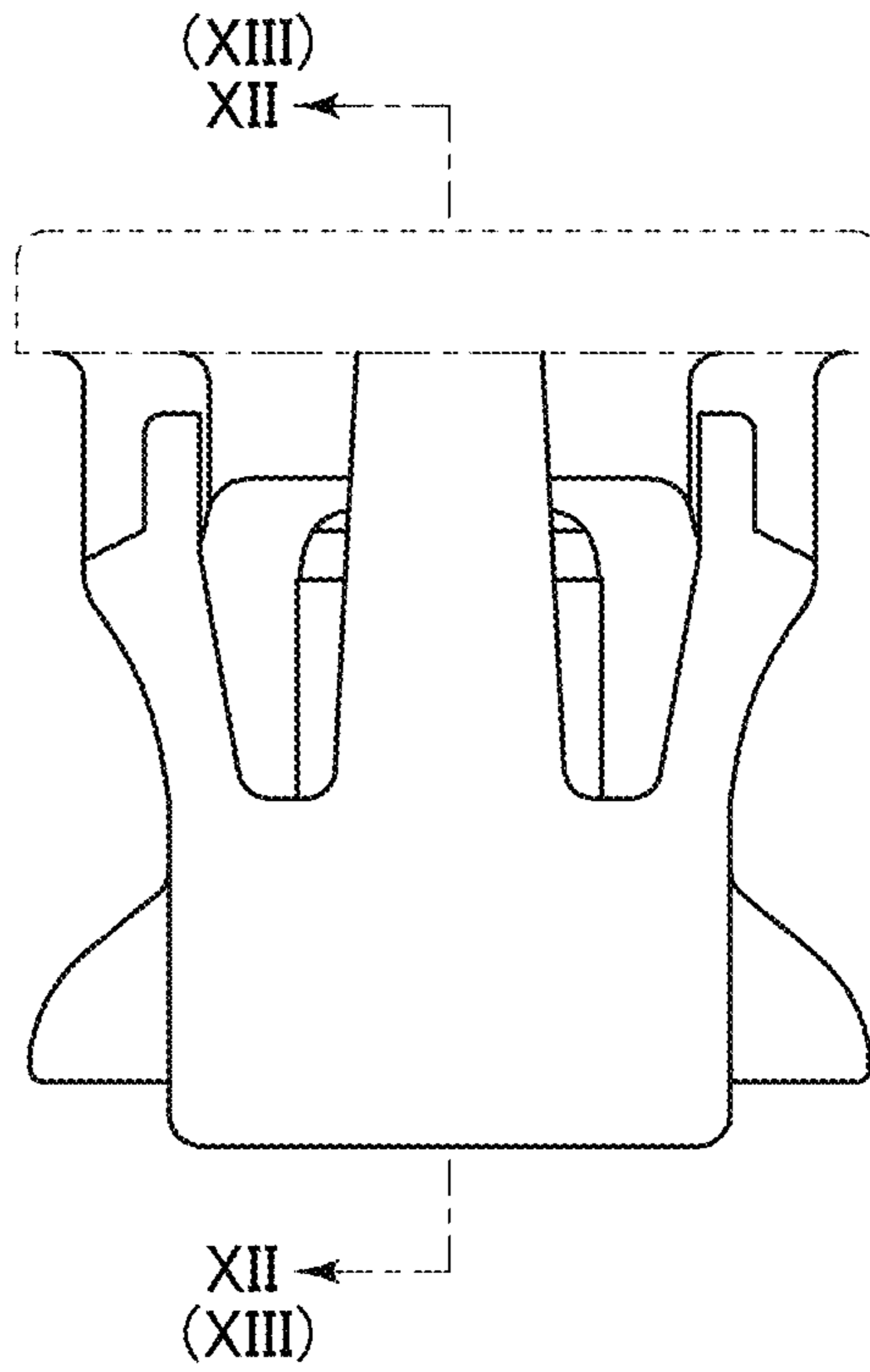


FIG.6

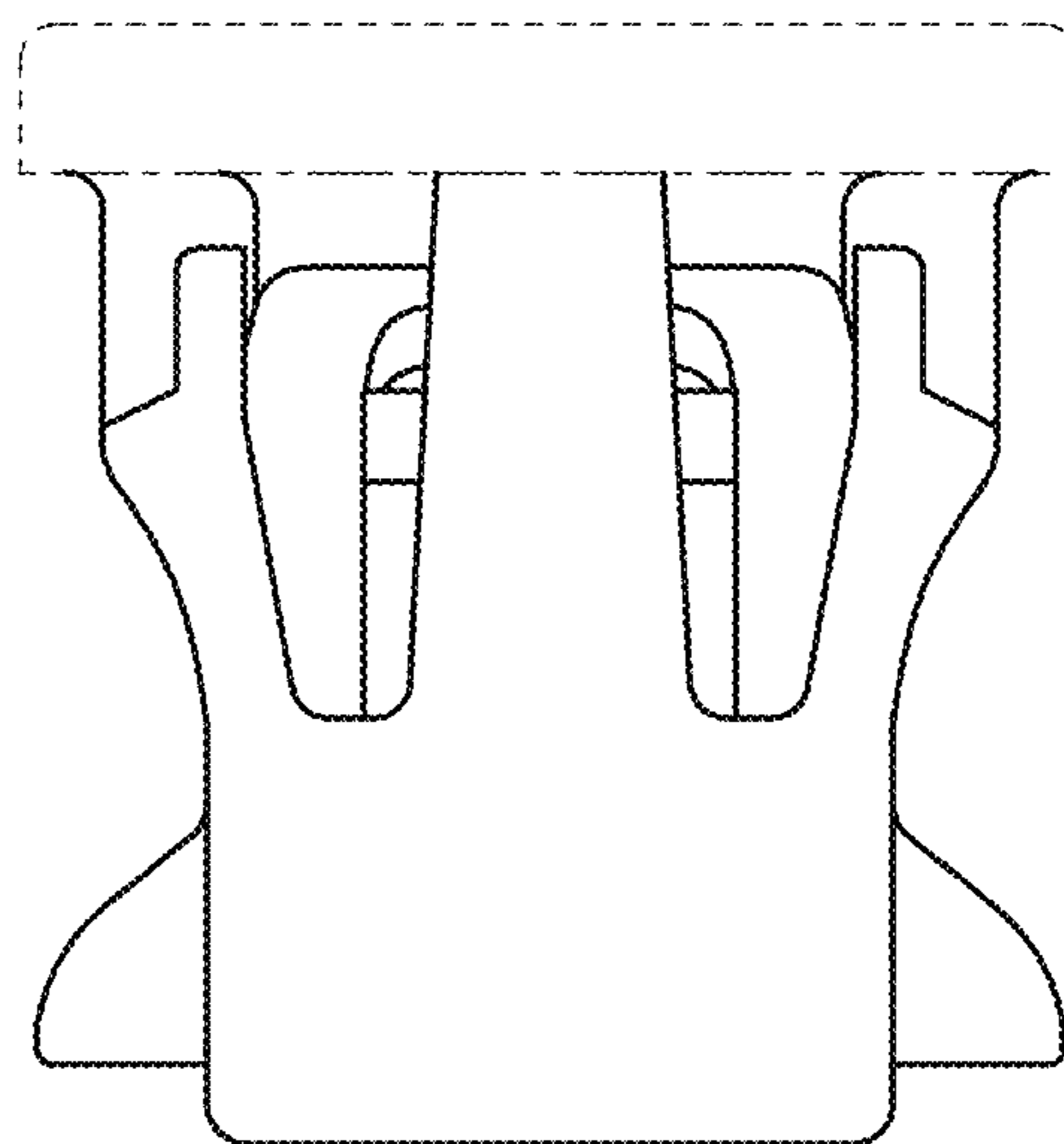


FIG. 7

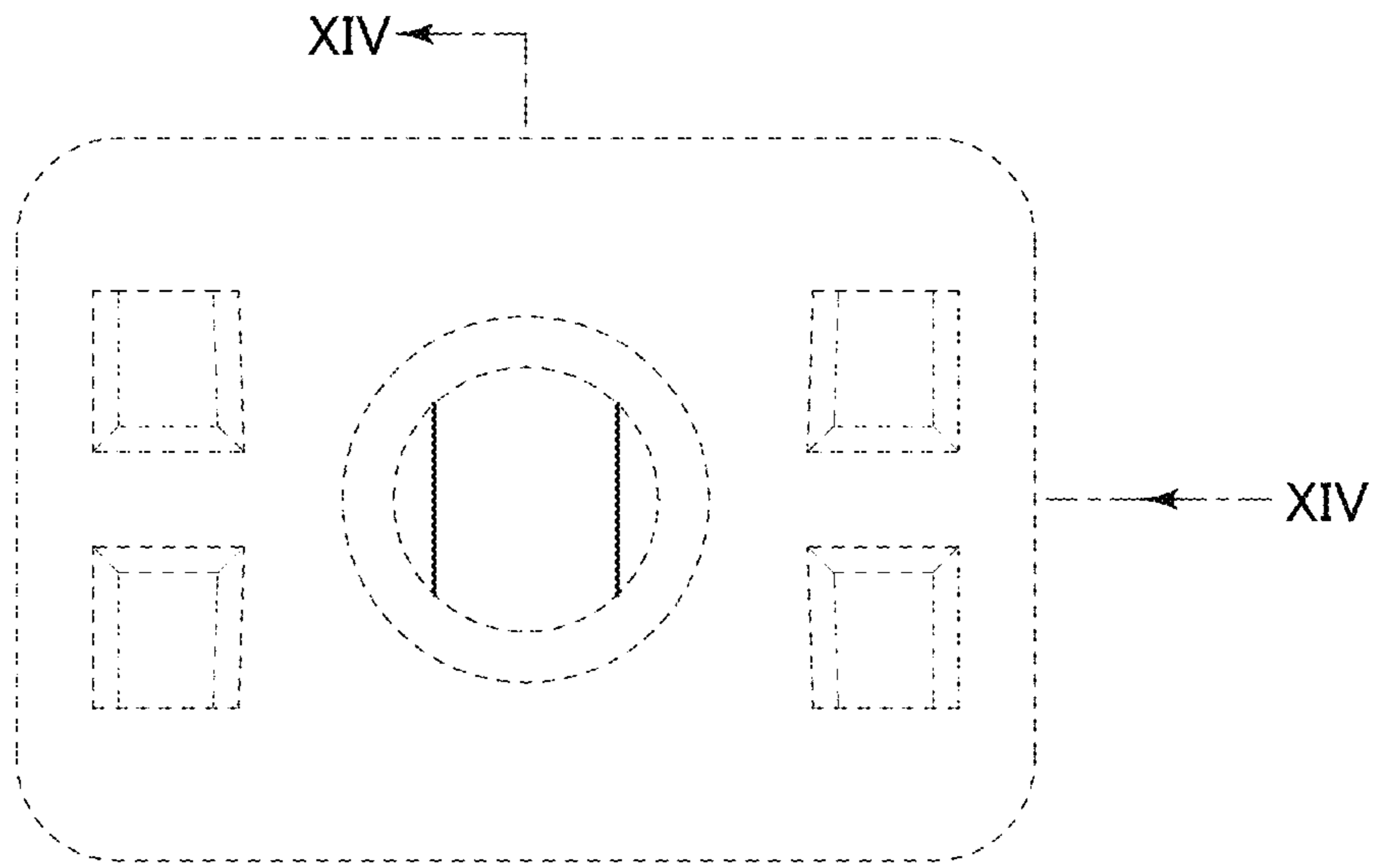


FIG. 8

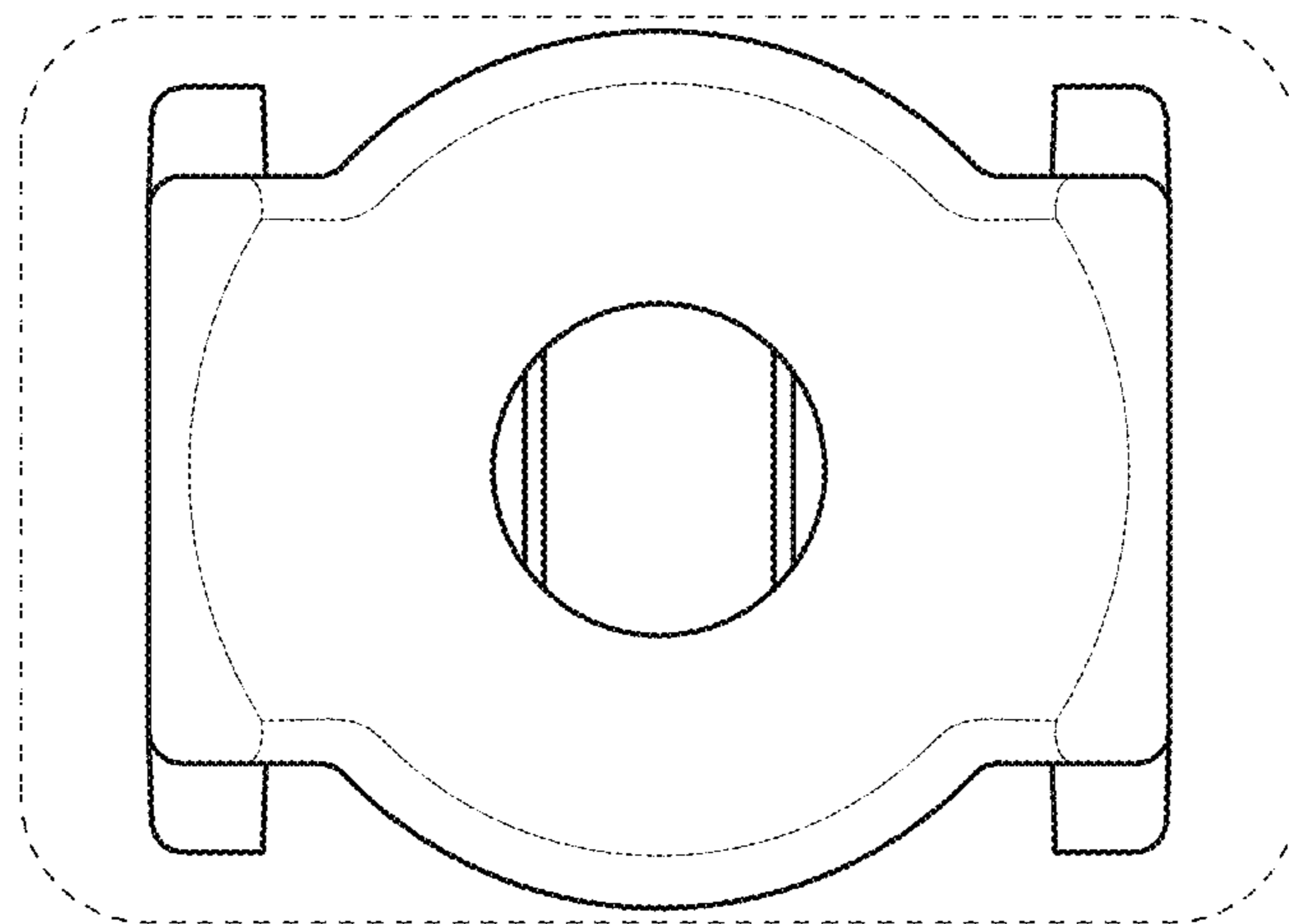


FIG.9

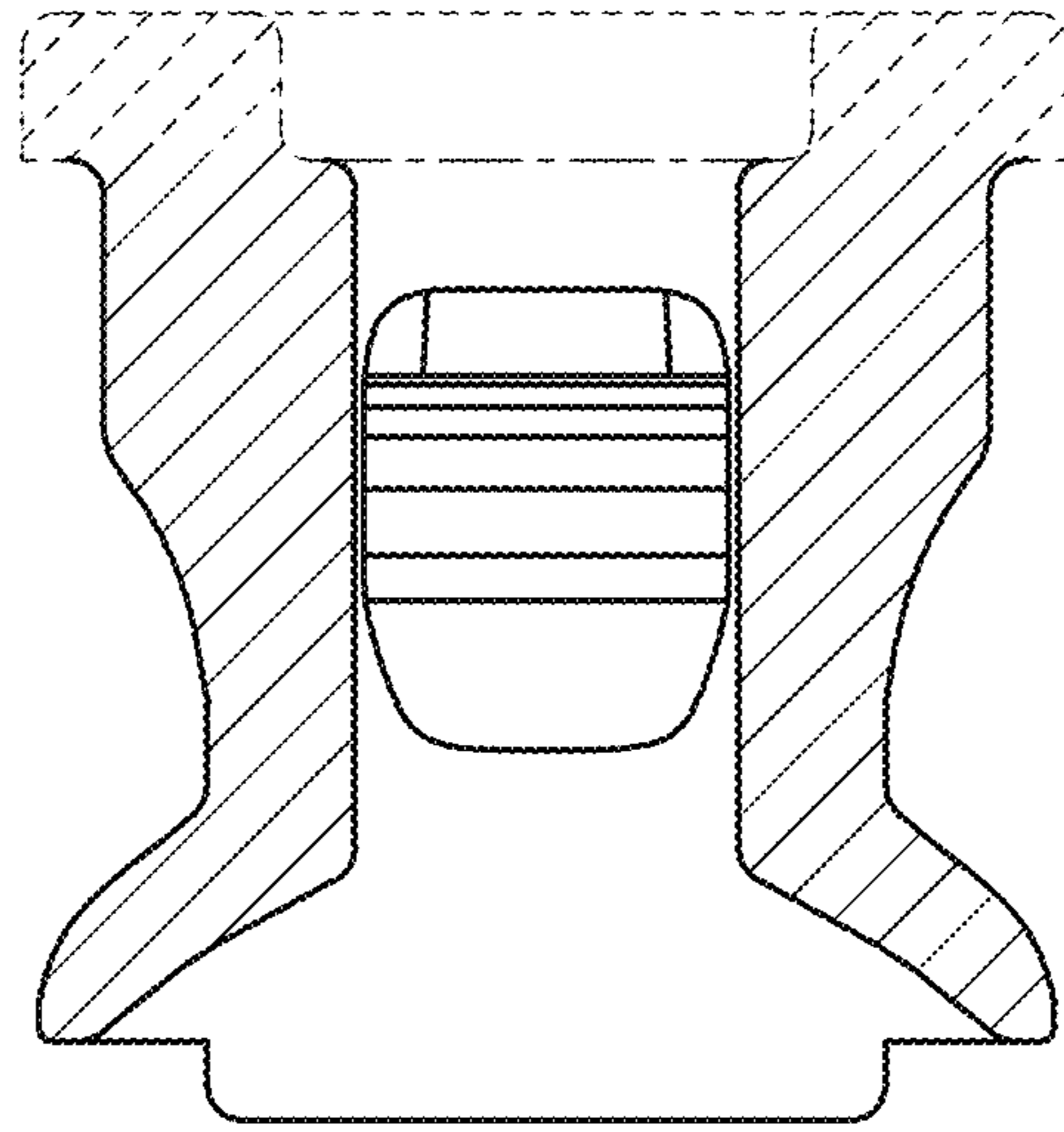


FIG.10

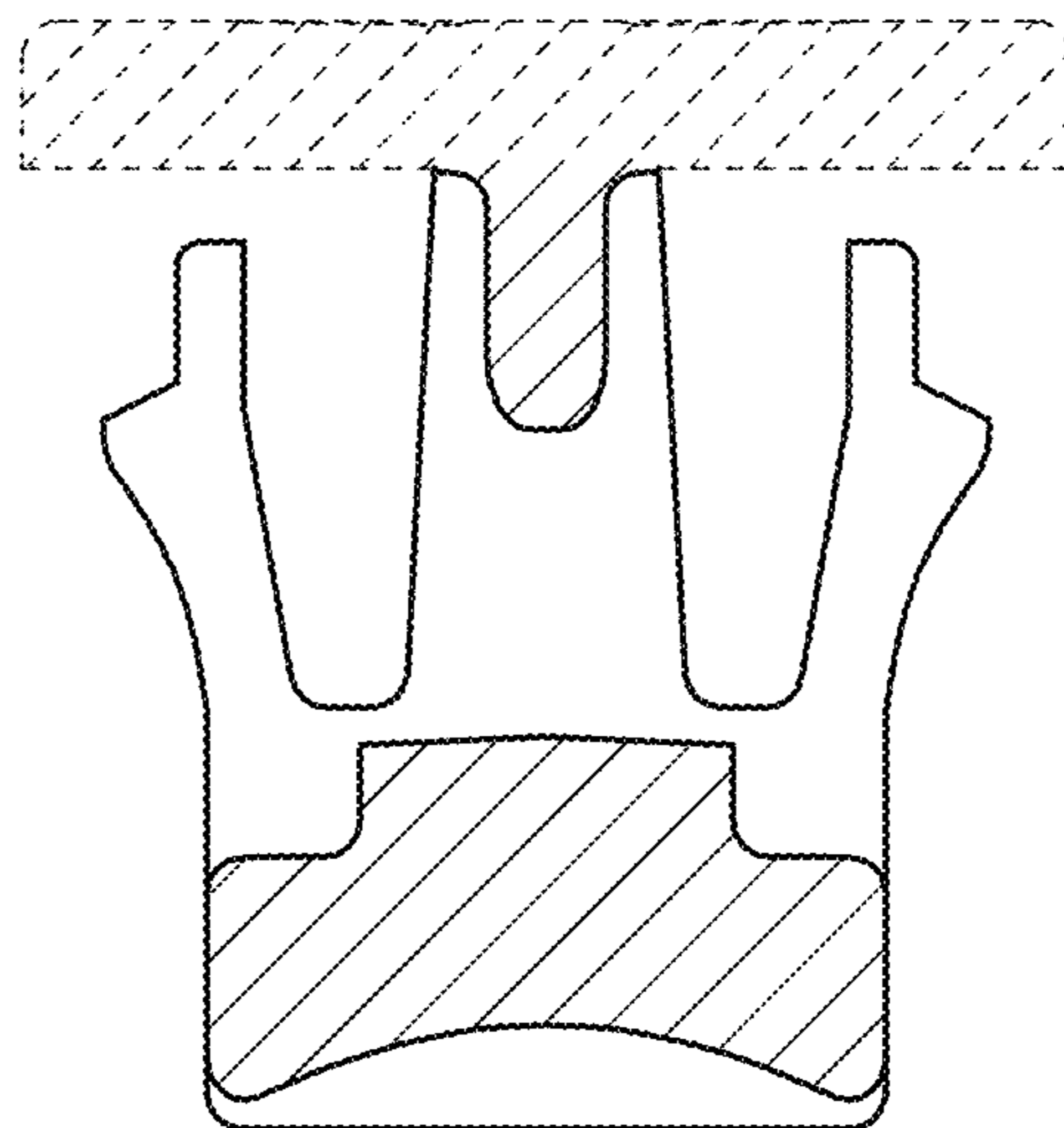


FIG. 11

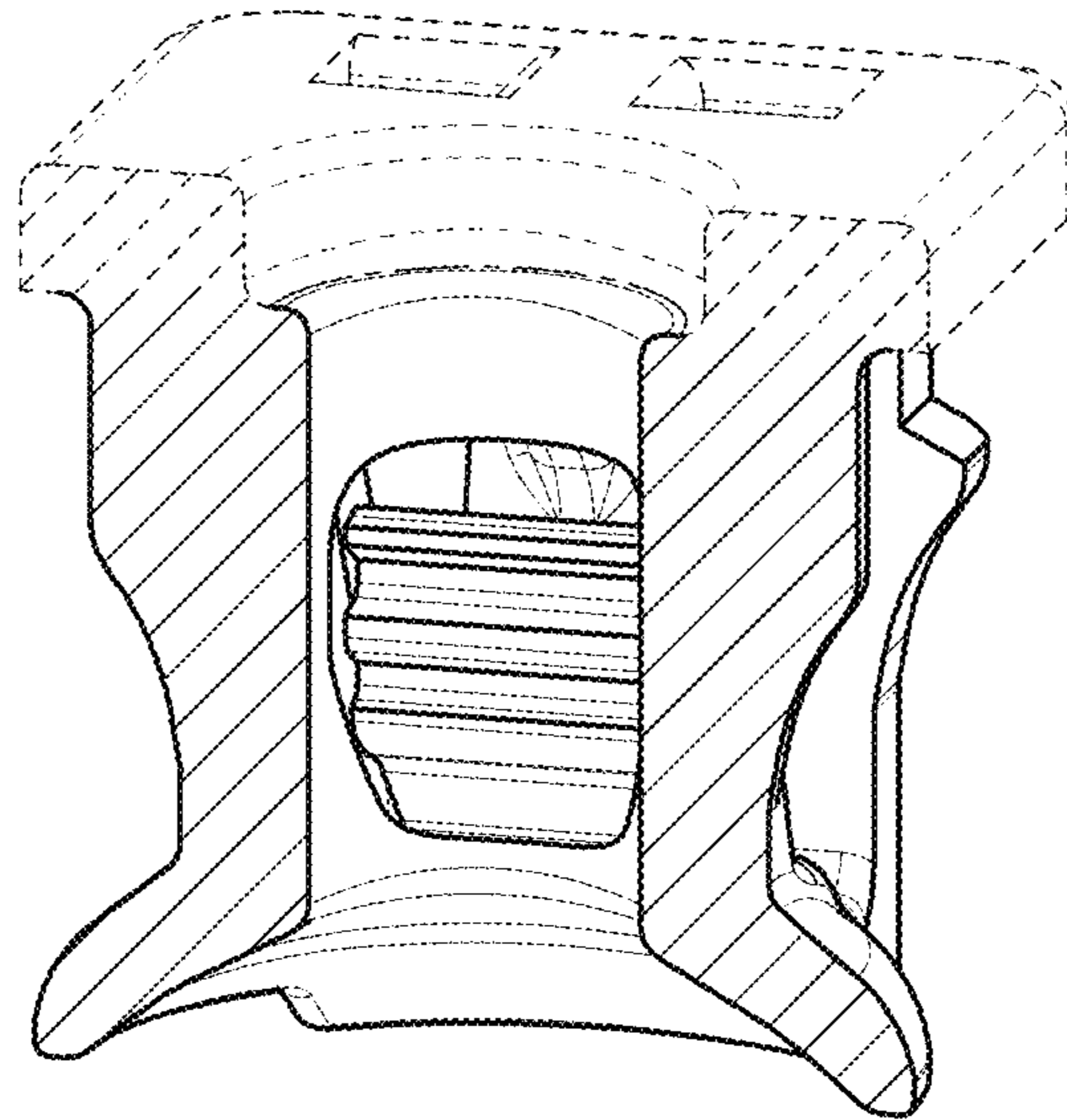


FIG. 12

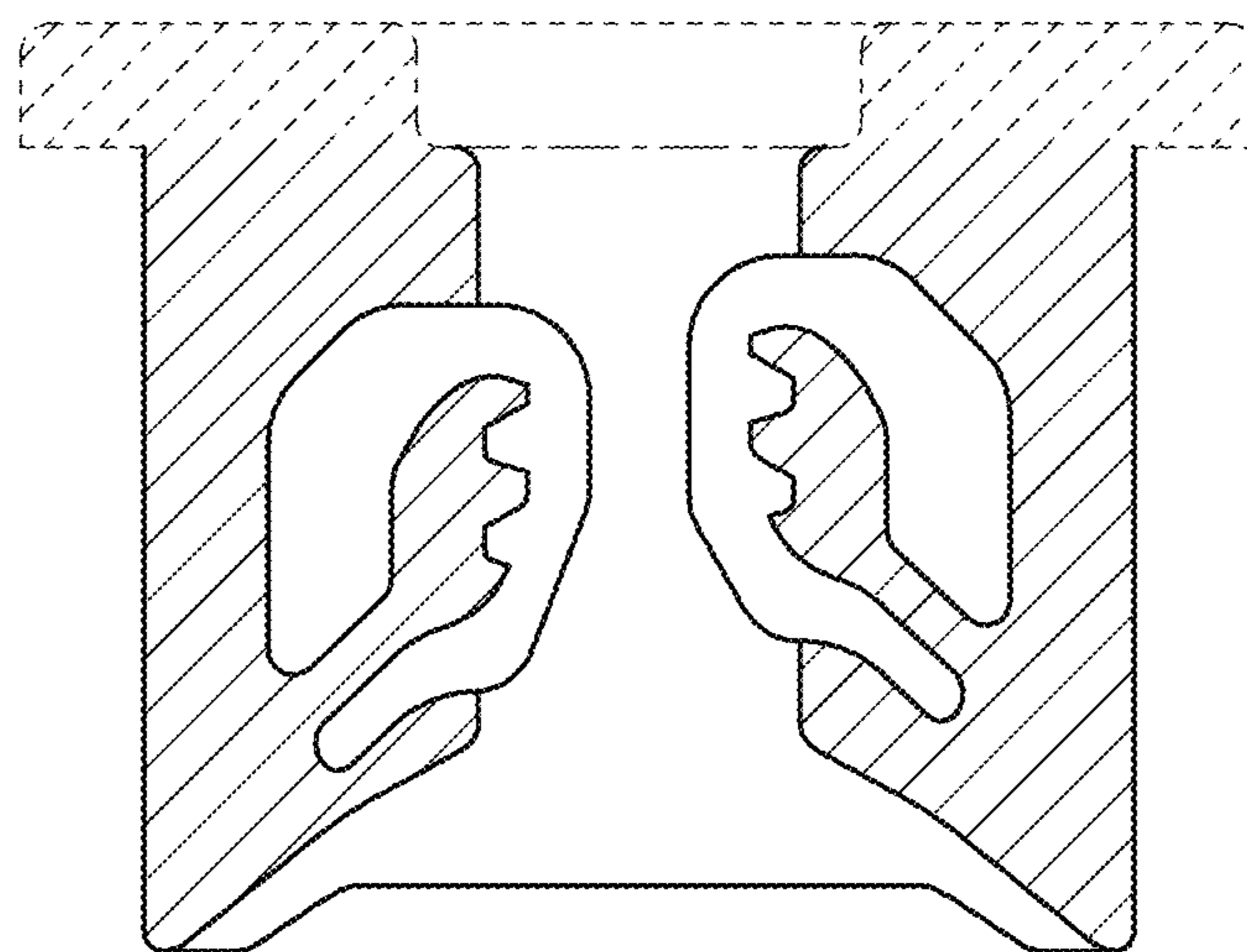


FIG. 13

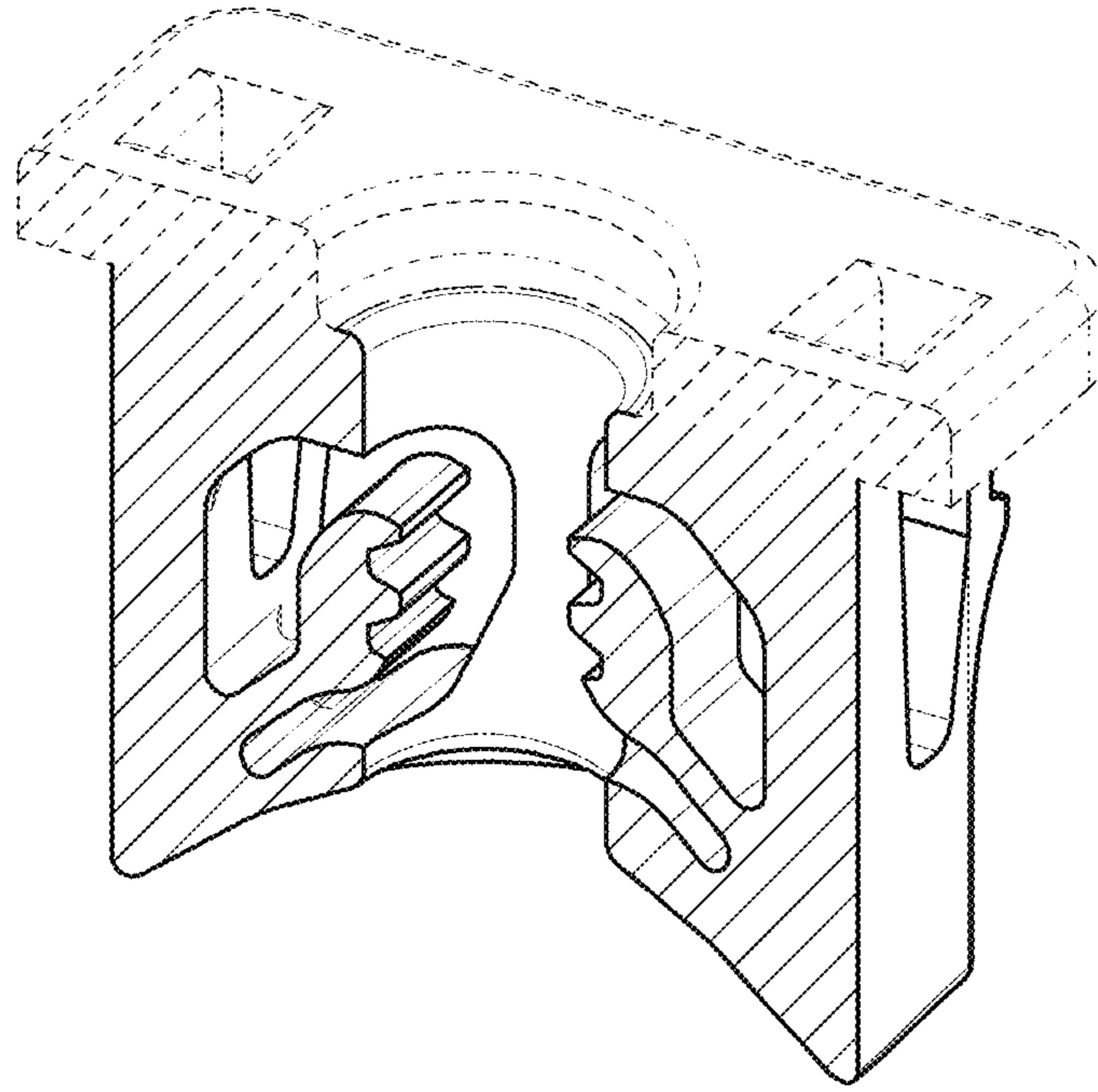


FIG. 14

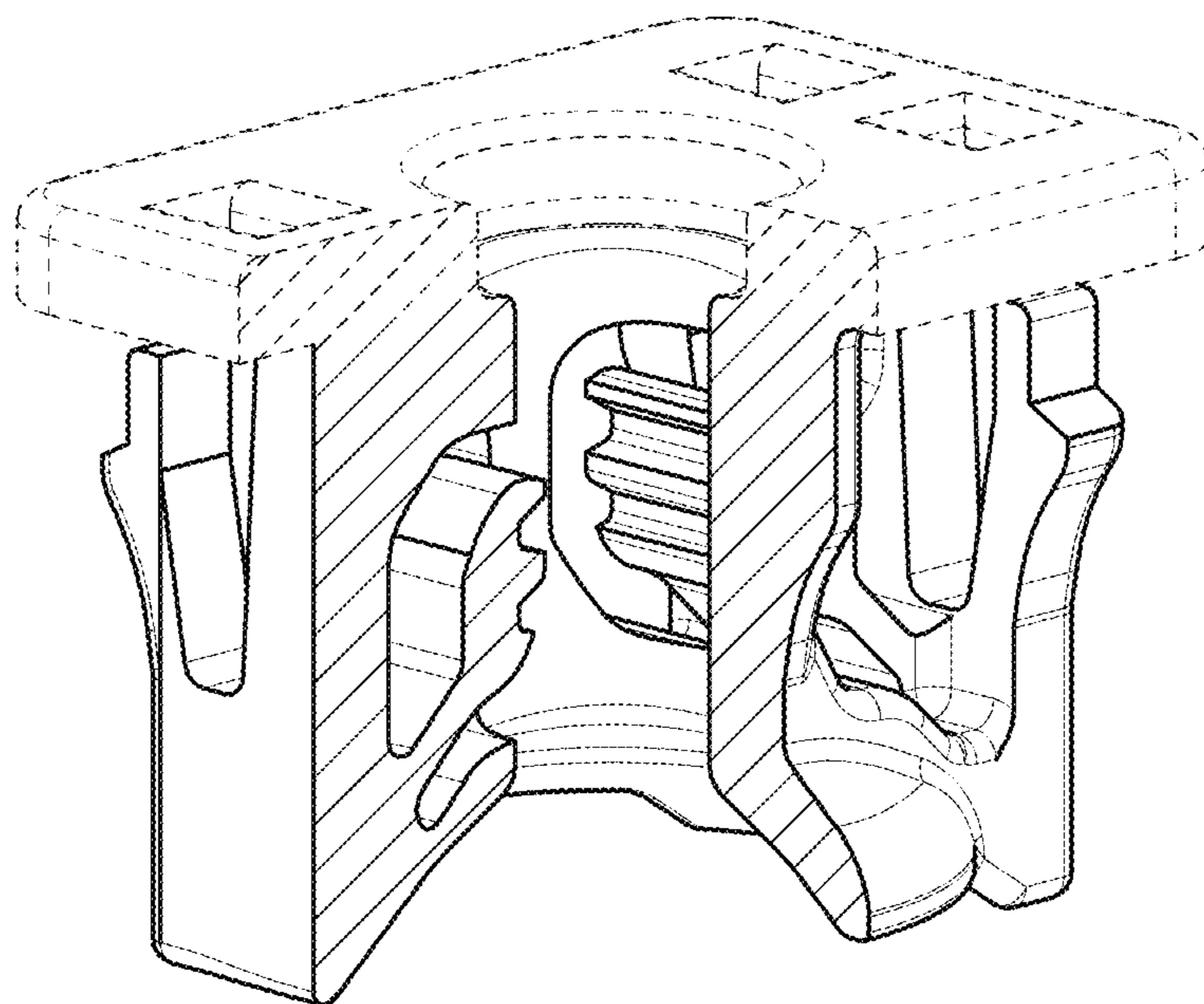


FIG. 15

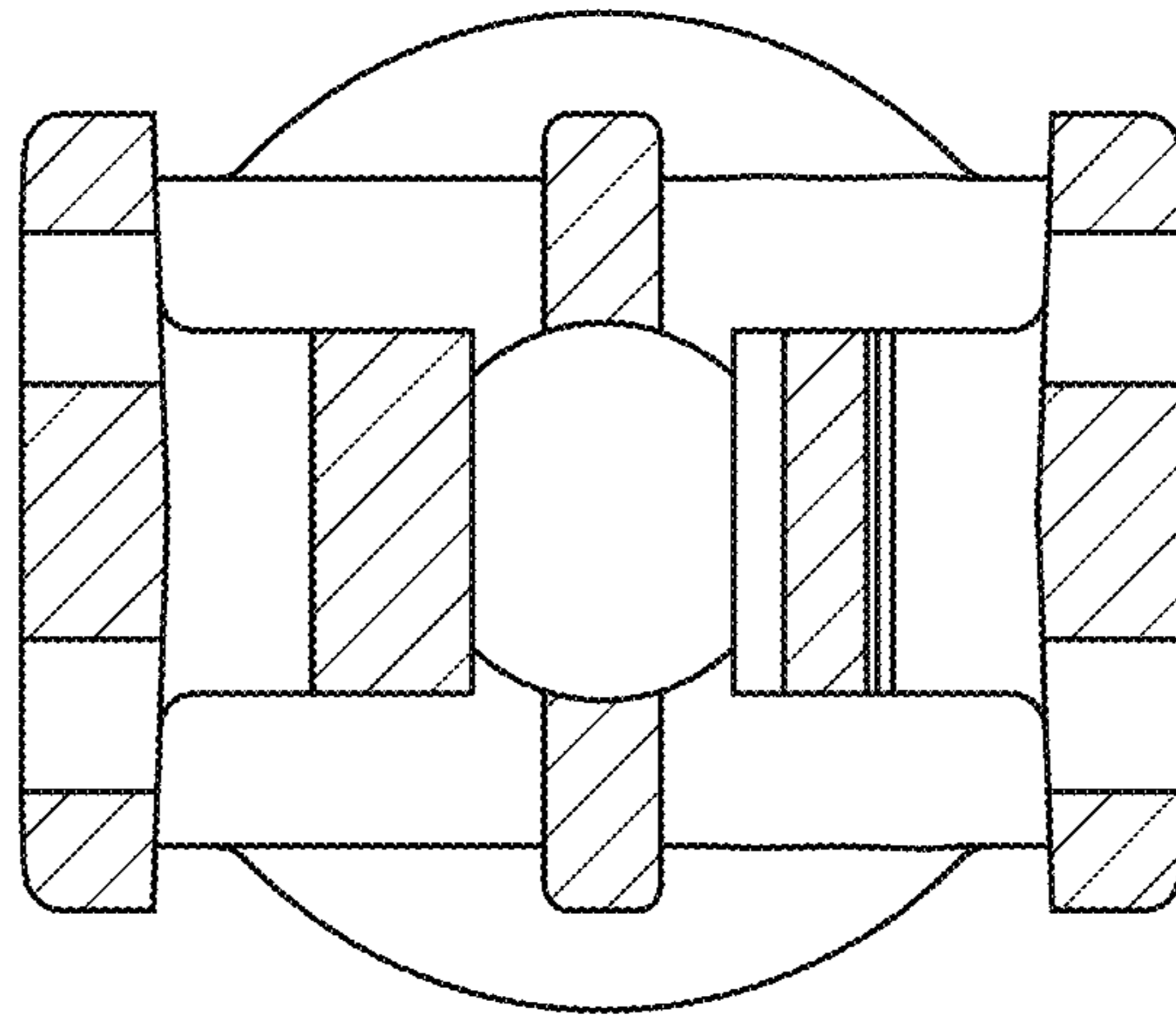


FIG. 16

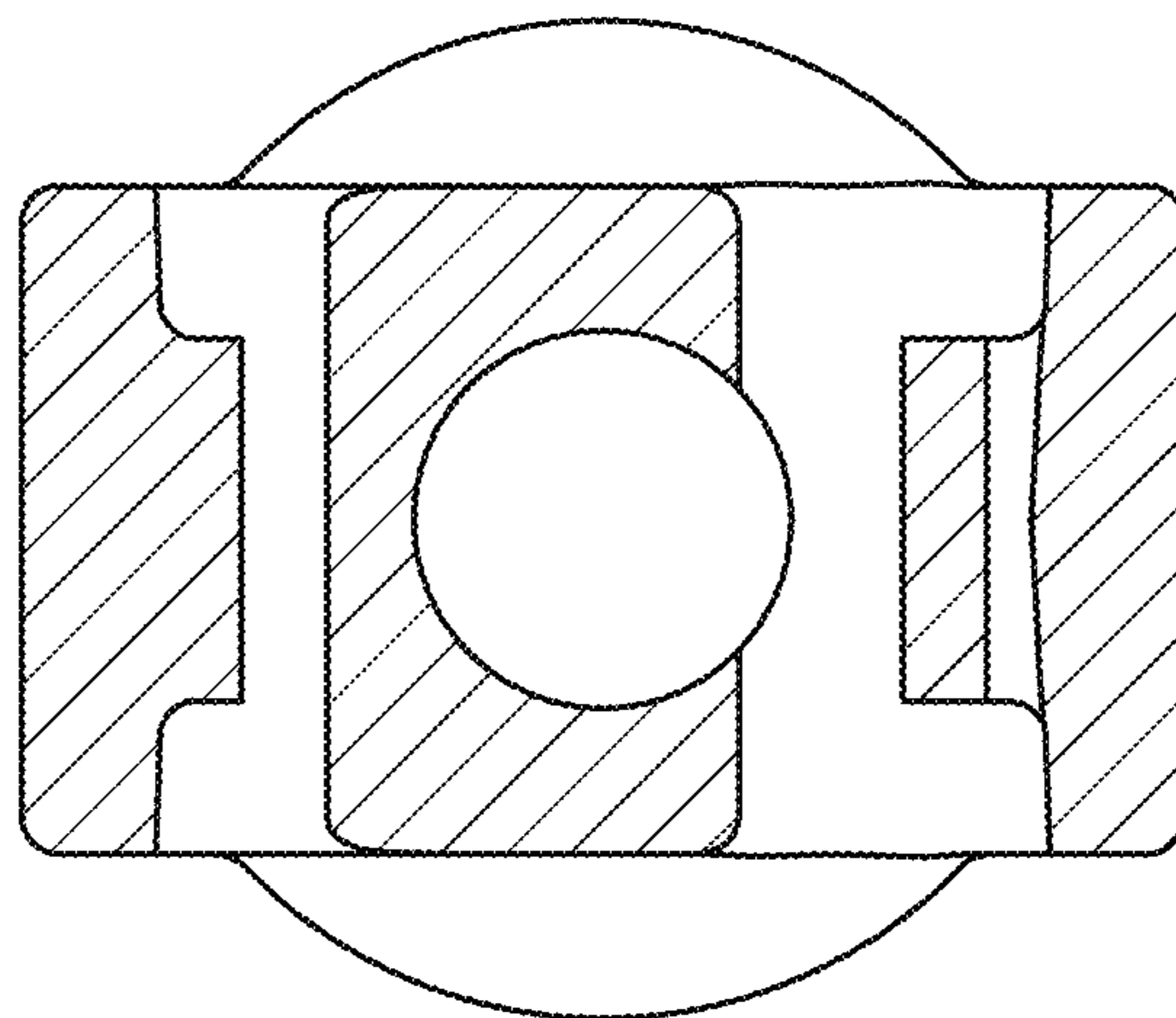


FIG. 17

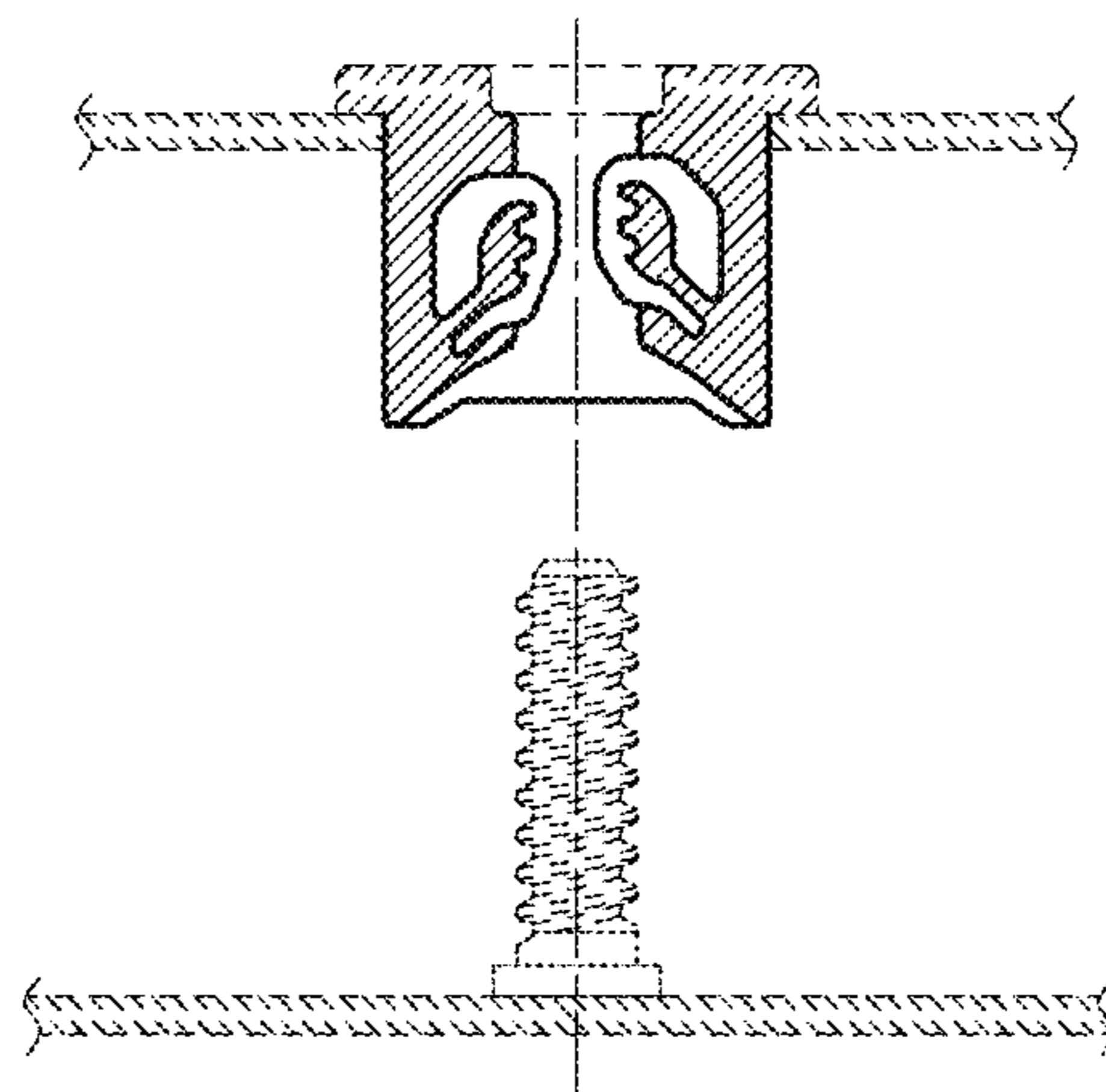


FIG. 18

