



US00D795761S

(12) **United States Design Patent** (10) **Patent No.:** **US D795,761 S**  
**Ito et al.** (45) **Date of Patent:** **\*\* Aug. 29, 2017**

(54) **TRUCK VEHICLE GRILLE**  
(71) Applicant: **International Truck Intellectual Property Company, LLC**, Lisle, IL (US)  
(72) Inventors: **Chris Ito**, Suger Grove, IL (US); **Glen Joel Durmisevich**, Rochester Hills, MI (US); **Christian Michael Hardin**, Waterford, MI (US)  
(73) Assignee: **International Trunk Intellectual Property Company, LLC**, Lisle, IL (US)  
(\*\*) Term: **15 Years**  
(21) Appl. No.: **29/544,144**  
(22) Filed: **Oct. 30, 2015**  
(51) **LOC (10) Cl.** ..... **12-16**  
(52) **U.S. Cl.**  
USPC ..... **D12/163**  
(58) **Field of Classification Search**  
USPC ..... D12/86, 90, 91, 92, 163, 169, 196, 171, D12/216; D15/31; 180/68.1, 68.6; 293/103, 115, 117, 120, 193.1, 193.11  
CPC . B60R 19/52; B60R 2019/525; B60K 11/085; B62D 25/084; H01Q 1/32  
See application file for complete search history.

D455,381 S \* 4/2002 Maher ..... D12/163  
D460,023 S \* 7/2002 Beigel ..... D12/96  
D522,936 S \* 6/2006 Beigel ..... D12/163  
D542,715 S \* 5/2007 Beigel ..... D12/96  
D545,730 S \* 7/2007 Lee ..... D12/163  
D557,183 S 12/2007 Beigel et al.  
D558,643 S \* 1/2008 Beigel ..... D12/96  
D566,015 S 4/2008 Beigel et al.  
D592,561 S \* 5/2009 Otto ..... D12/163  
D612,776 S 3/2010 Beigel et al.  
D619,054 S 7/2010 Beigel et al.  
D627,692 S \* 11/2010 Cheng ..... D12/163  
D637,530 S \* 5/2011 Aris ..... D12/163  
D645,797 S \* 9/2011 Beigel ..... D12/163  
D647,827 S \* 11/2011 Medina ..... D12/163  
D673,089 S 12/2012 Parkes et al.  
D673,486 S 1/2013 Parkes et al.  
D698,288 S 1/2014 Riggs et al.  
D708,992 S \* 7/2014 Ito ..... D12/163  
D709,410 S \* 7/2014 Conway ..... D12/163  
2007/0199751 A1 \* 8/2007 Bradley ..... B60K 11/085  
180/68.1  
2009/0085361 A1 \* 4/2009 Rosen ..... B60R 13/04  
293/120

(Continued)

*Primary Examiner* — Darlington Ly  
(74) *Attorney, Agent, or Firm* — Jeffrey P. Calfa; Mark C. Bach

(57) **CLAIM**

The ornamental design for a truck vehicle grille, as shown and described.

**DESCRIPTION**

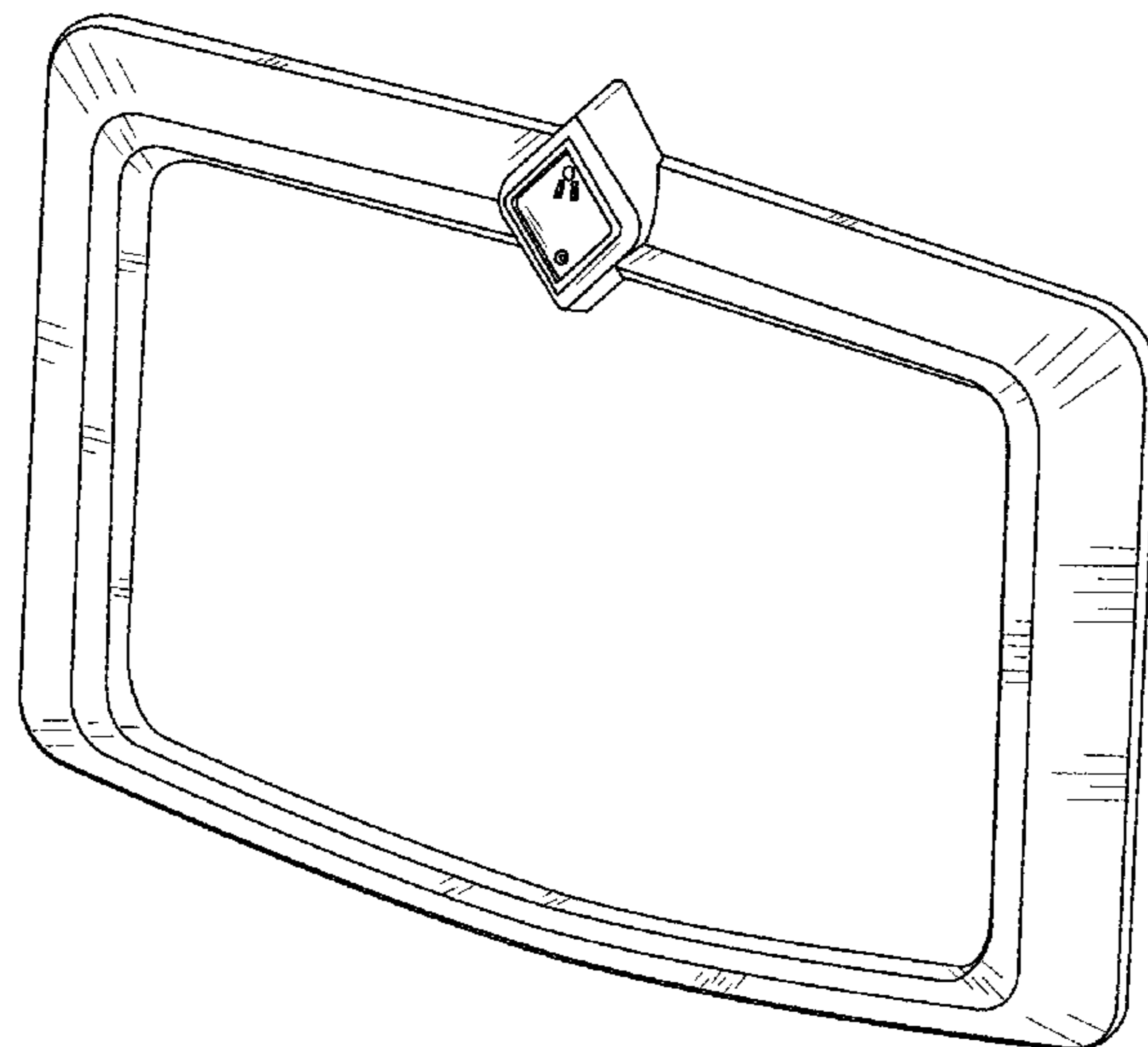
FIG. 1 front isometric view of a truck vehicle grille showing our new design;  
FIG. 2 is a front elevation view thereof;  
FIG. 3 is a right side elevation view thereof;  
FIG. 4 is a left side elevation view thereof; and,  
FIG. 5 is a top plan view thereof.

**1 Claim, 4 Drawing Sheets**

(56) **References Cited**

U.S. PATENT DOCUMENTS

D400,836 S 11/1998 Reynard et al.  
D403,285 S 12/1998 Abalos et al.  
D412,874 S \* 8/1999 Meryman ..... D12/163  
D425,835 S \* 5/2000 Cook ..... D12/163  
D445,361 S \* 7/2001 Tirey ..... D12/96  
D447,099 S \* 8/2001 Tirey ..... D12/163  
D452,464 S \* 12/2001 Beigel ..... D12/163



(56)

**References Cited**

U.S. PATENT DOCUMENTS

2013/0025954 A1\* 1/2013 Miller ..... B62D 25/10  
180/69.21

\* cited by examiner

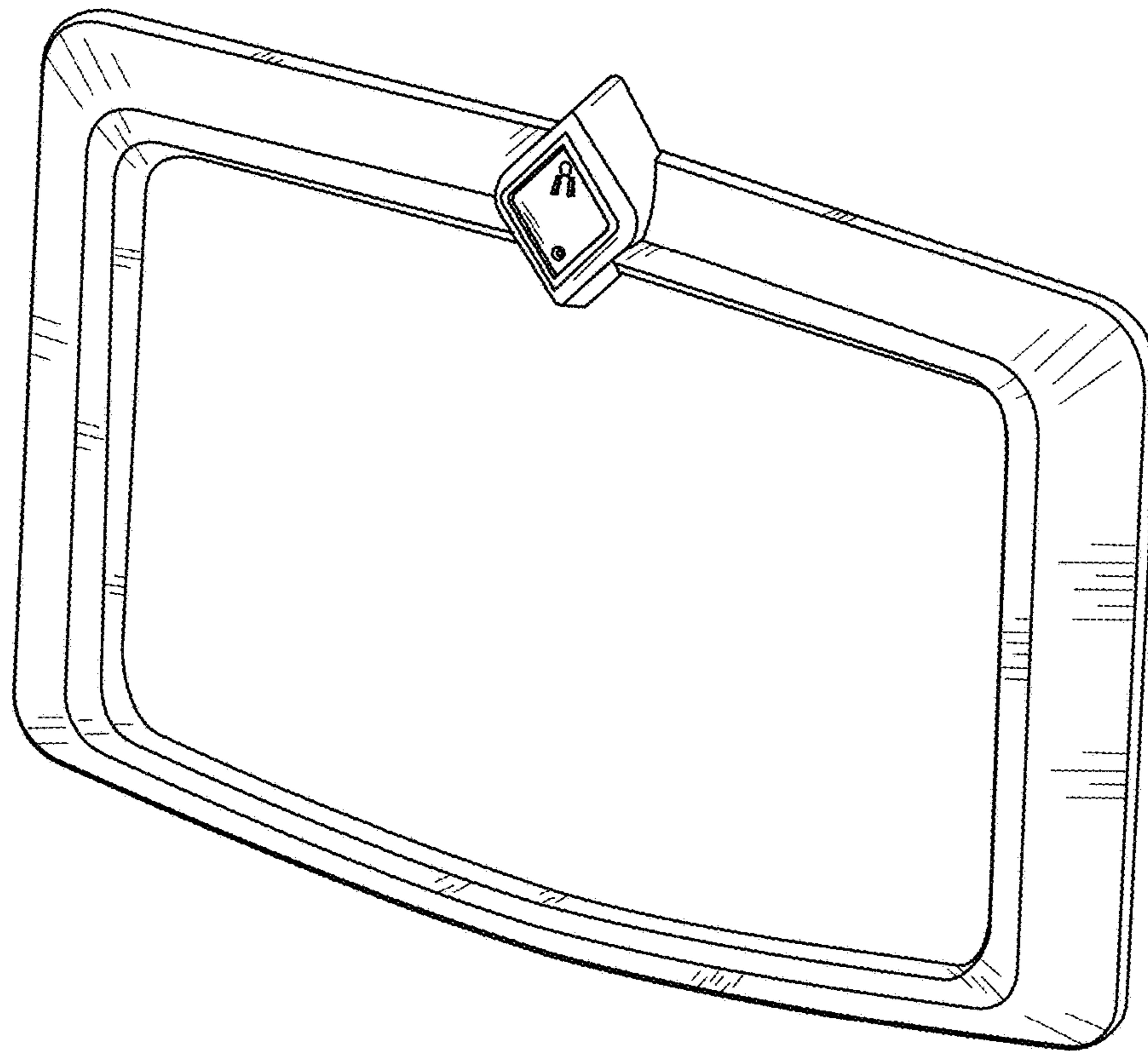


FIG. 1

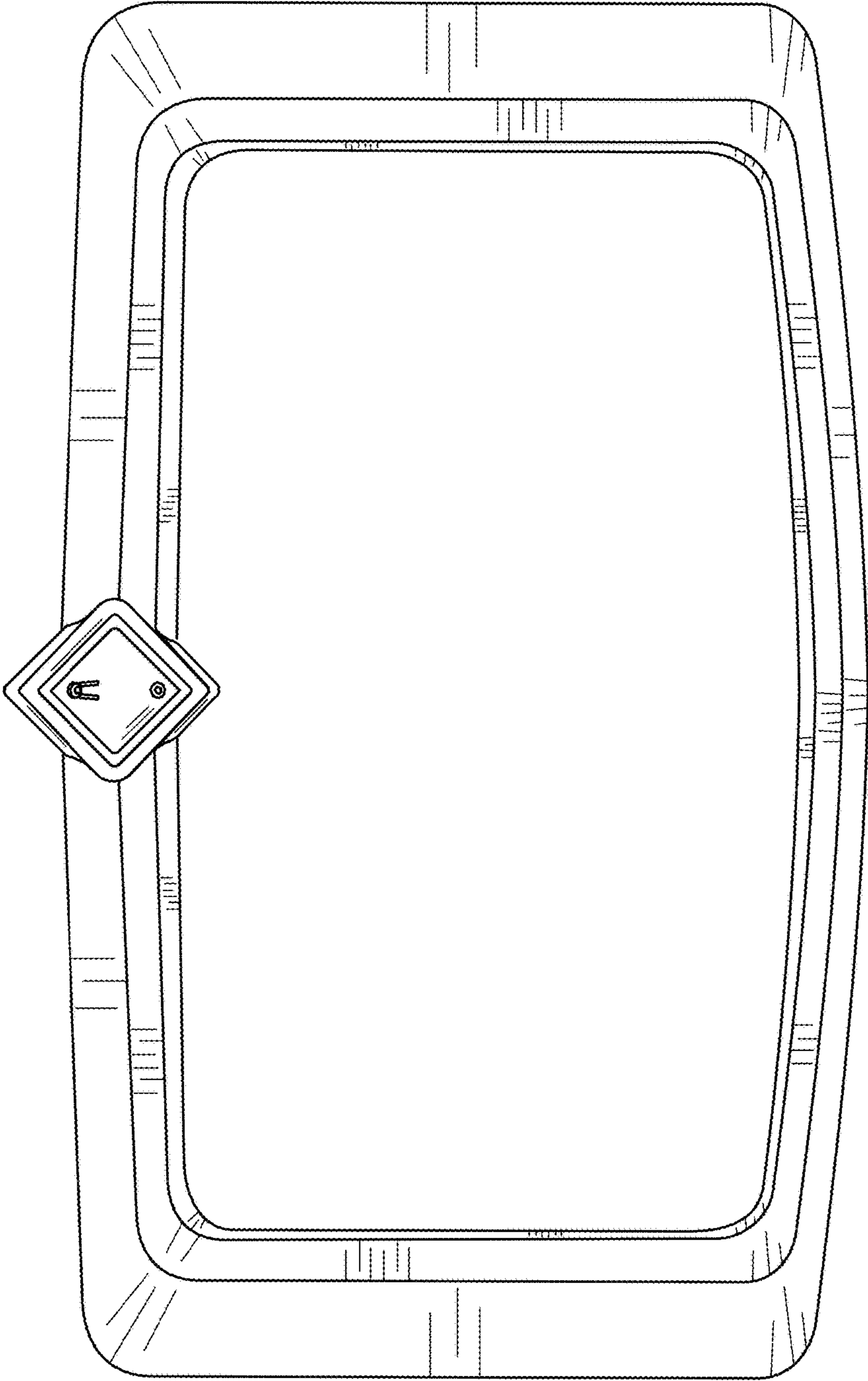


FIG. 2

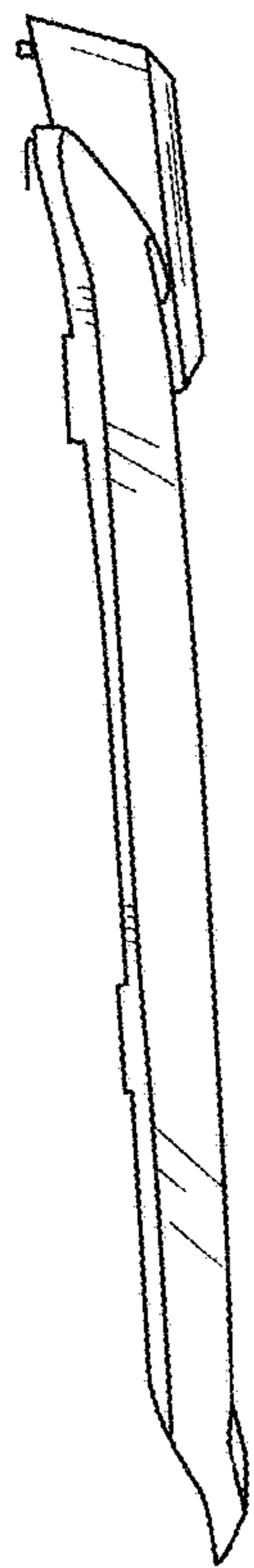


FIG. 3

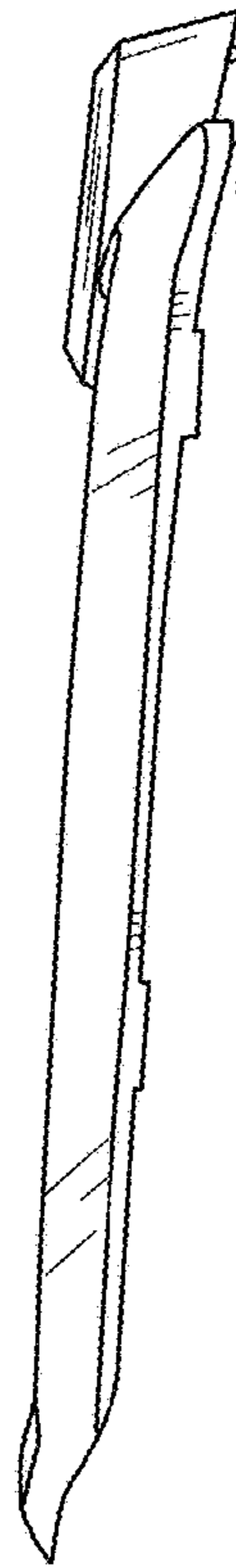


FIG. 4

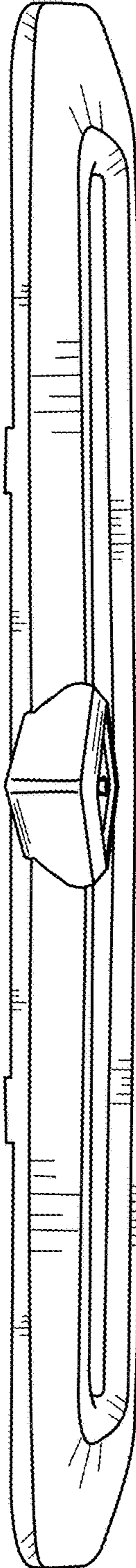


FIG. 5