



US00D795756S

(12) **United States Design Patent**  
**McCuskey**

(10) **Patent No.:** **US D795,756 S**

(45) **Date of Patent:** **\*\* Aug. 29, 2017**

(54) **ADJUSTABLE TRAILER HITCH**

(71) Applicant: **Scott McCuskey**, Boardman, OH (US)

(72) Inventor: **Scott McCuskey**, Boardman, OH (US)

(\*\*) Term: **15 Years**

(21) Appl. No.: **29/554,421**

(22) Filed: **Feb. 11, 2016**

(51) **LOC (10) Cl.** ..... **12-16**

(52) **U.S. Cl.**  
USPC ..... **D12/162**

(58) **Field of Classification Search**  
USPC ..... D12/159, 160, 162, 163, 167, 169, 172,  
D12/400, 401, 402, 403, 404, 405, 406,  
D12/407, 408, 409, 410, 411, 412, 413,  
D12/414, 415, 416  
CPC ... B60D 1/52; B60D 1/06; B60D 1/46; B60D  
1/465; B60D 1/00; B60D 1/605; B60D  
1/60

See application file for complete search history.

(56) **References Cited**

**U.S. PATENT DOCUMENTS**

2,847,232	A *	8/1958	Graham	.....	B60D 1/46 280/490.1
D376,780	S *	12/1996	McCoy	.....	D12/162
6,341,795	B1 *	1/2002	Zerker	.....	B60D 1/065 280/490.1
D553,058	S *	10/2007	Chen	.....	D12/162
D555,549	S *	11/2007	Capuano	.....	D12/162

7,559,570	B2 *	7/2009	Cearns	.....	B60D 1/52 280/490.1
D629,338	S *	12/2010	Ceccarelli	.....	D12/162
8,366,136	B2 *	2/2013	Svihla	.....	B60D 1/06 280/477
8,733,781	B2 *	5/2014	Sims	.....	B60D 1/465 254/420
D709,805	S *	7/2014	Hill	.....	D12/162
D747,239	S *	1/2016	Wyers	.....	D12/162
9,415,647	B2 *	8/2016	Woolf	.....	B60D 1/46
D772,764	S *	11/2016	Thurber	.....	D12/162

\* cited by examiner

*Primary Examiner* — Karen S Acker

*Assistant Examiner* — Jerry Hsu

(74) *Attorney, Agent, or Firm* — Harpman & Harpman

(57) **CLAIM**

The ornamental design for an adjustable trailer hitch, as shown and described.

**DESCRIPTION**

FIG. 1 is a perspective front, right side and top view of the adjustable trailer hitch.

FIG. 2 is a front elevational view thereof.

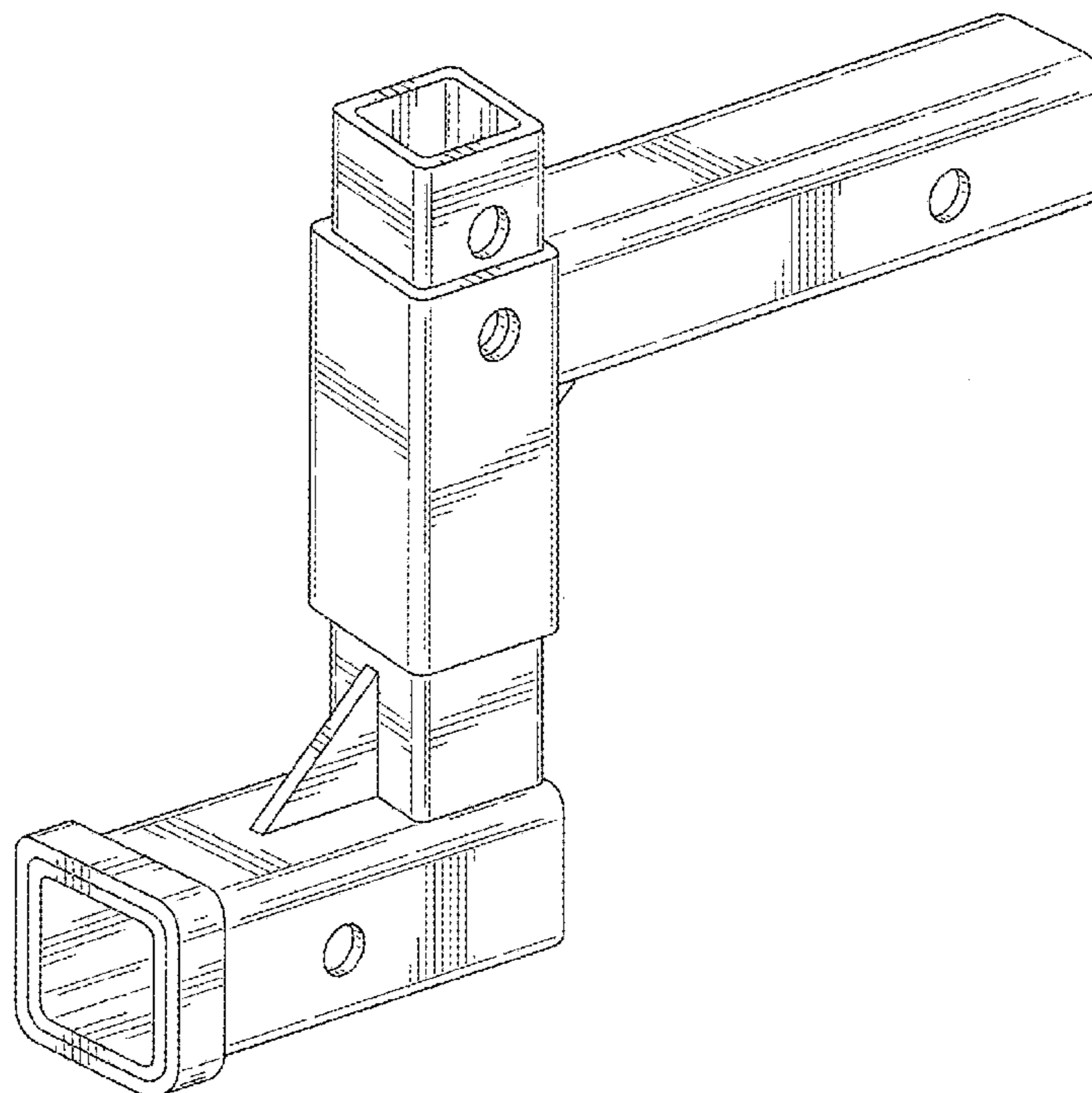
FIG. 3 is a rear elevational view thereof.

FIG. 4 is a top plan view thereof.

FIG. 5 is a left side elevational view thereof; and,

FIG. 6 is a bottom plan view thereof.

**1 Claim, 3 Drawing Sheets**



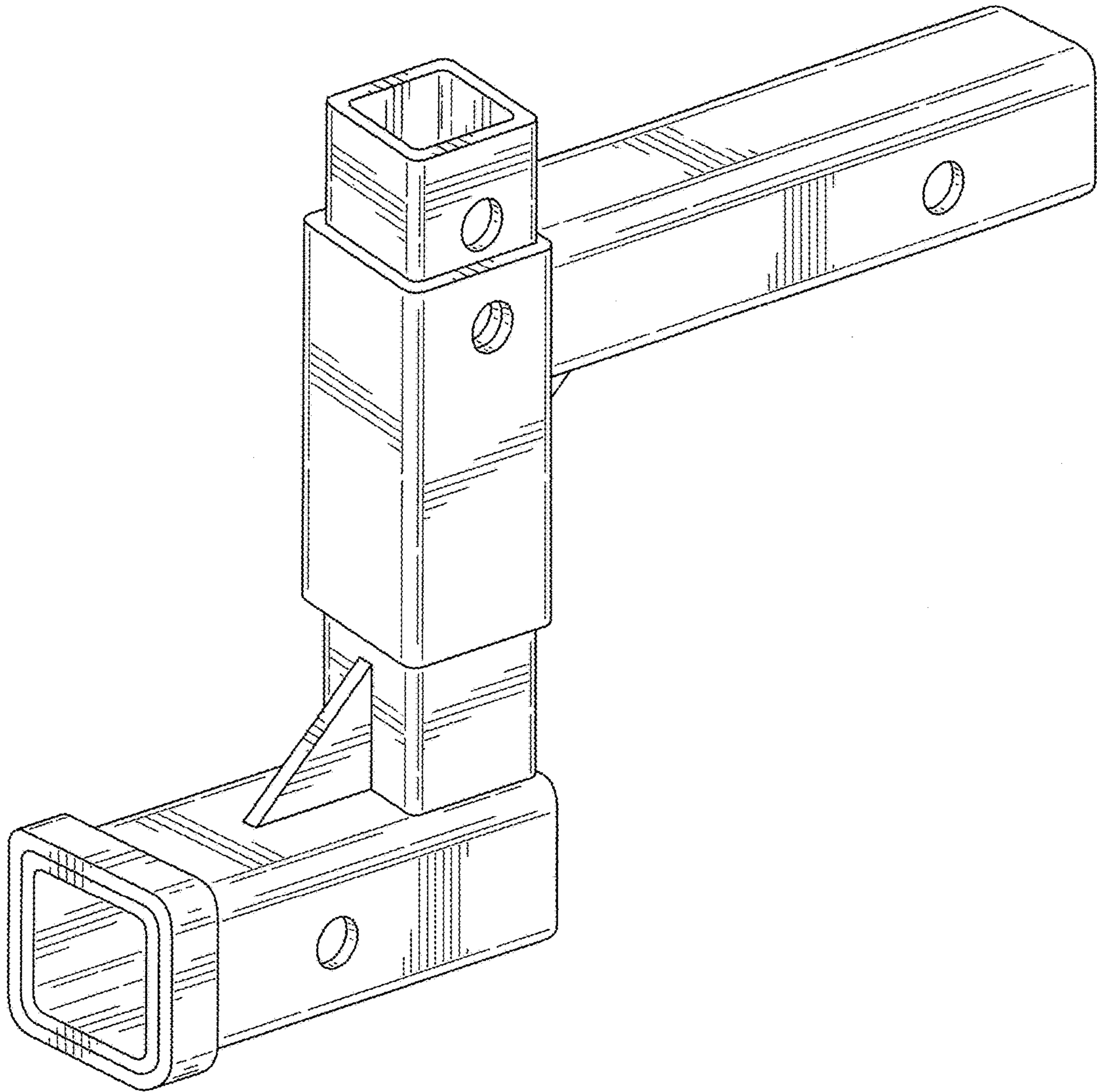


FIG. 1

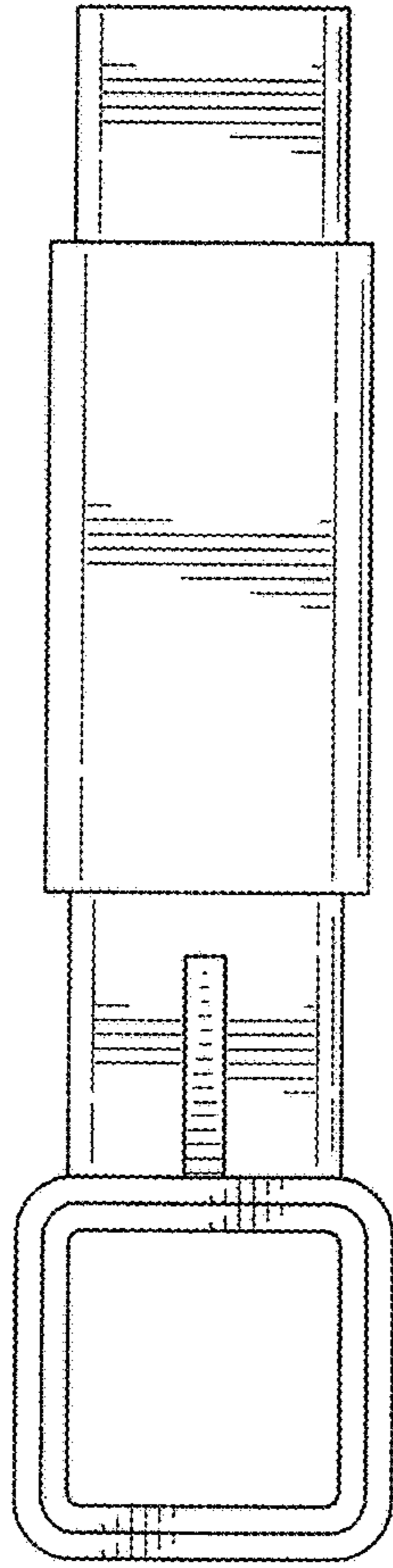


FIG. 2

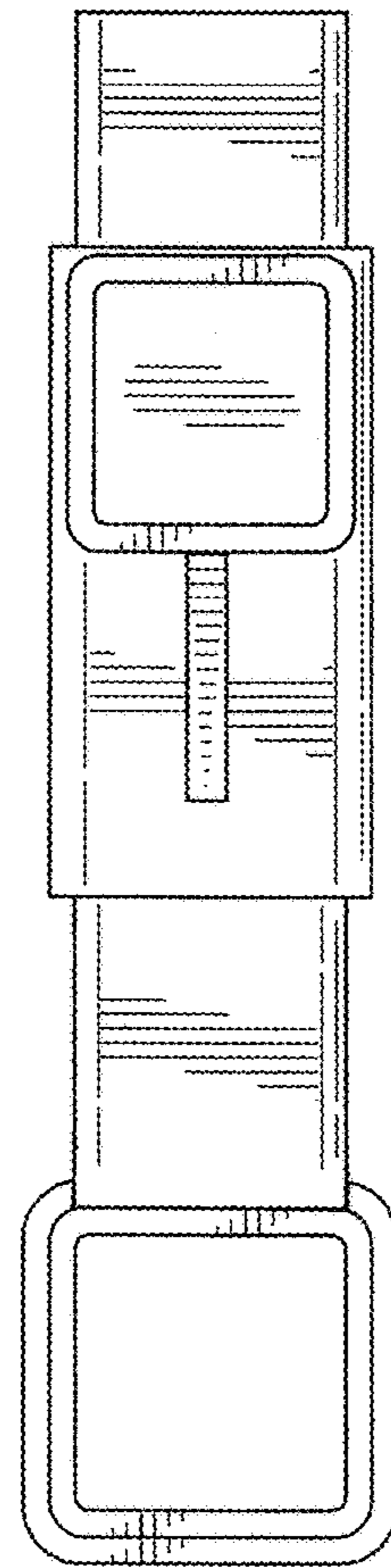


FIG. 3

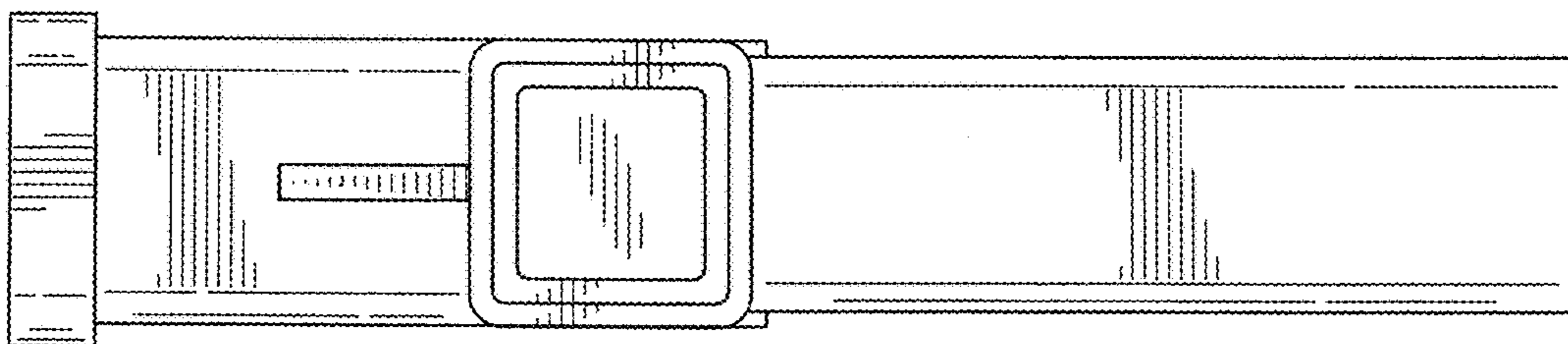


FIG. 4

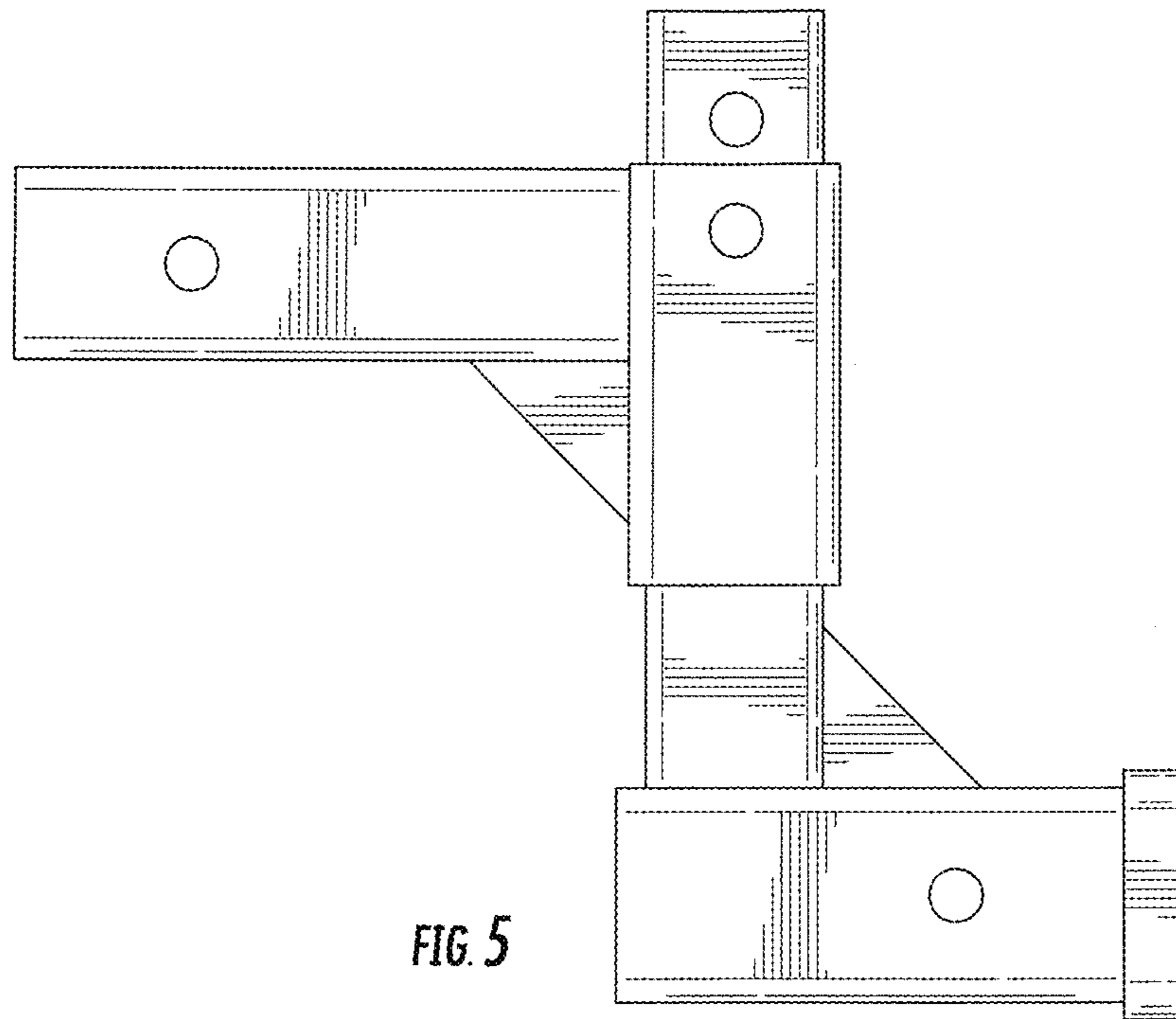


FIG. 5

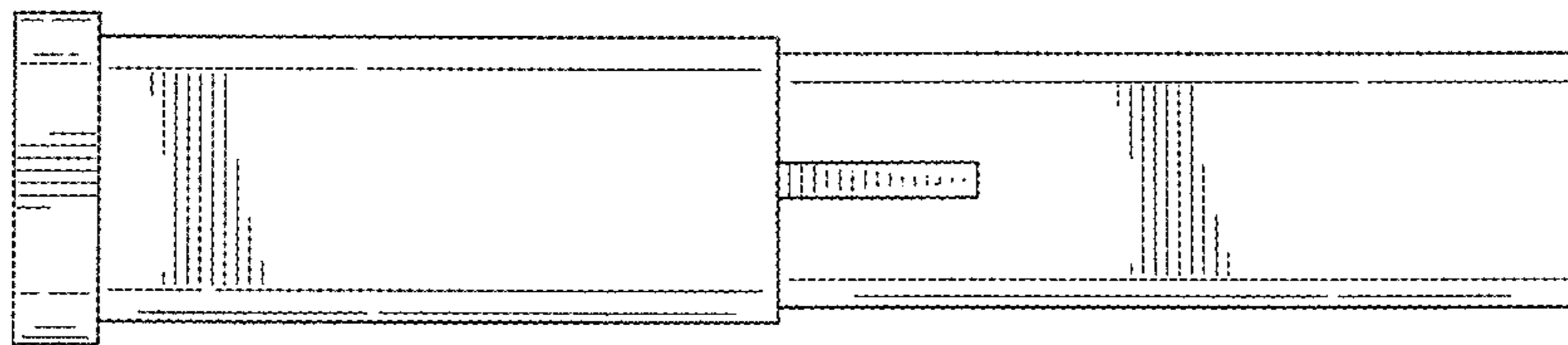


FIG. 6