

US00D795755S

(12) **United States Design Patent**
Jiang et al.

(10) **Patent No.:** **US D795,755 S**

(45) **Date of Patent:** **** Aug. 29, 2017**

(54) **CYLINDER ASSEMBLY**

(71) Applicant: **Ningbo Zhongtian Union Mechanical & Electrical Manufacturing Co., Ltd.**, Ningbo (CN)

(72) Inventors: **Chengshu Jiang**, Ningbo (CN); **Honghui Dai**, Ningbo (CN); **Zhankun Lv**, Ningbo (CN)

(73) Assignee: **NINBO ZHONGTIAN UNION MECHANICAL & ELECTRICAL MANUFACTURING CO., LTD.**, Ningbo (CN)

(**) Term: **15 Years**

(21) Appl. No.: **29/569,245**

(22) Filed: **Jun. 24, 2016**

(30) **Foreign Application Priority Data**

Jan. 8, 2016 (CN) 2016 3 0007041

(51) **LOC (10) Cl.** **12-16**

(52) **U.S. Cl.**
USPC **D12/159**

(58) **Field of Classification Search**
USPC D12/87-88, 93, 159-161, 400-401, 406, D12/412, 414, 414.1
CPC .. B60R 9/00; B60R 9/06; B60R 3/005; B60R 13/00; Y10T 70/7638; Y10T 70/7655; Y10T 70/7667; F16F 9/3242; F16F 9/0218; F16F 9/0227; F16F 9/3221; F16F 9/3235; B60G 11/22; B60G 2204/125; B60G 2204/41; B60G 2202/143; B60G 2202/142; B60G 2202/14; B60P 9/00; B60P 3/40

See application file for complete search history.

(56) **References Cited**

U.S. PATENT DOCUMENTS

3,889,468 A *	6/1975	Blumer	B60T 13/165
				60/548
D370,446 S *	6/1996	Gallagher	D12/159
6,408,736 B1 *	6/2002	Holt	F15B 11/22
				91/171
D470,440 S *	2/2003	Rose	D12/118
2010/0301578 A1 *	12/2010	Noda	B60G 21/0558
				280/124.106

* cited by examiner

Primary Examiner — Barbara Fox

Assistant Examiner — Messina L Smith

(74) *Attorney, Agent, or Firm* — Lowe Graham Jones PLLC

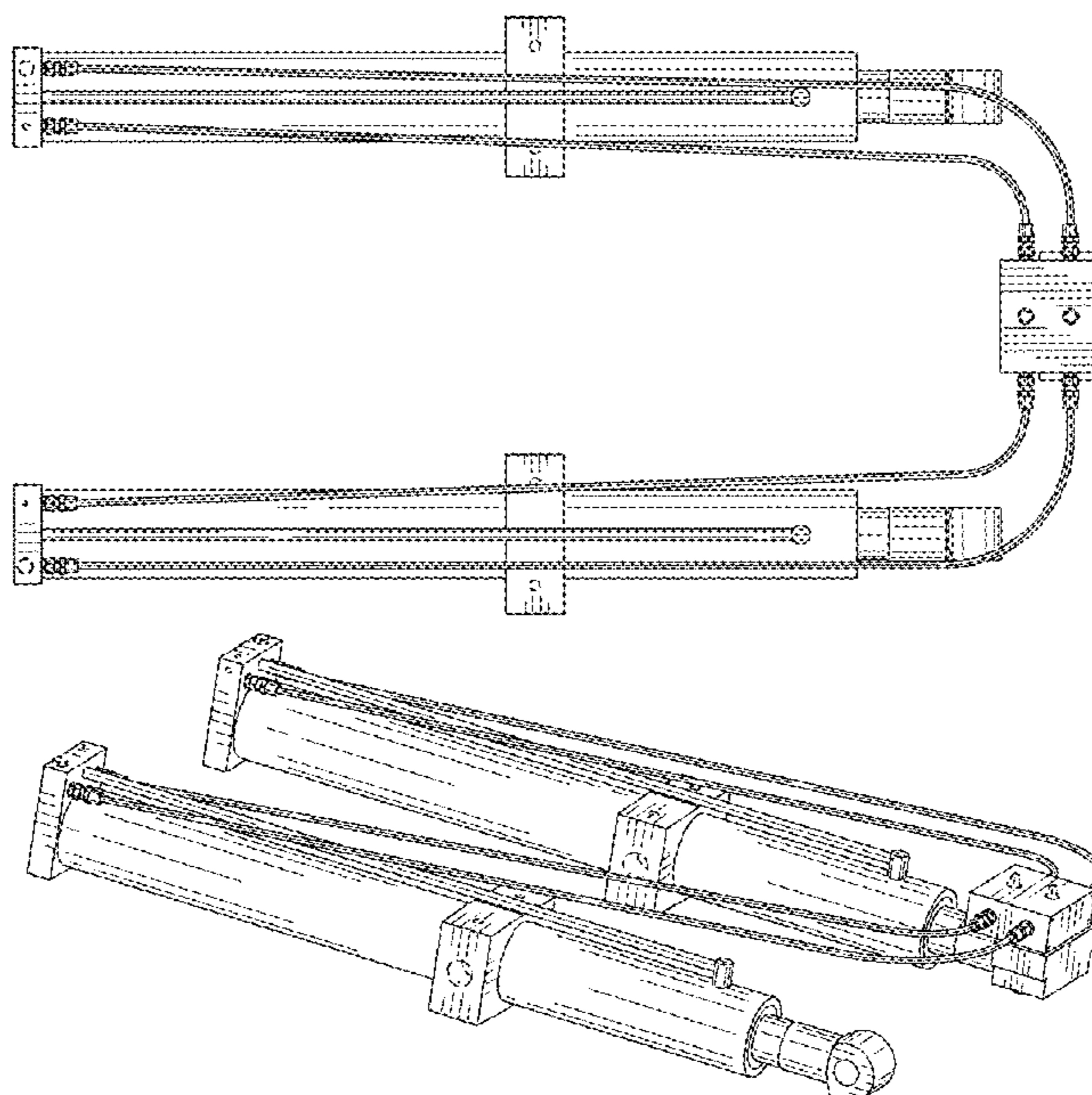
(57) **CLAIM**

We claim the ornamental design for a cylinder assembly, as shown.

DESCRIPTION

FIG. 1 is a front view of a cylinder assembly, showing our new design.
FIG. 2 is a rear view of the cylinder assembly.
FIG. 3 is a top view of the cylinder assembly.
FIG. 4 is a bottom view of the cylinder assembly.
FIG. 5 is a left side view of the cylinder assembly.
FIG. 6 is a right side view of the cylinder assembly; and,
FIG. 7 is a perspective view of the cylinder assembly.
The broken lines shown in the drawings illustrate portions of the cylinder assembly that form no part of the claimed design.

1 Claim, 7 Drawing Sheets



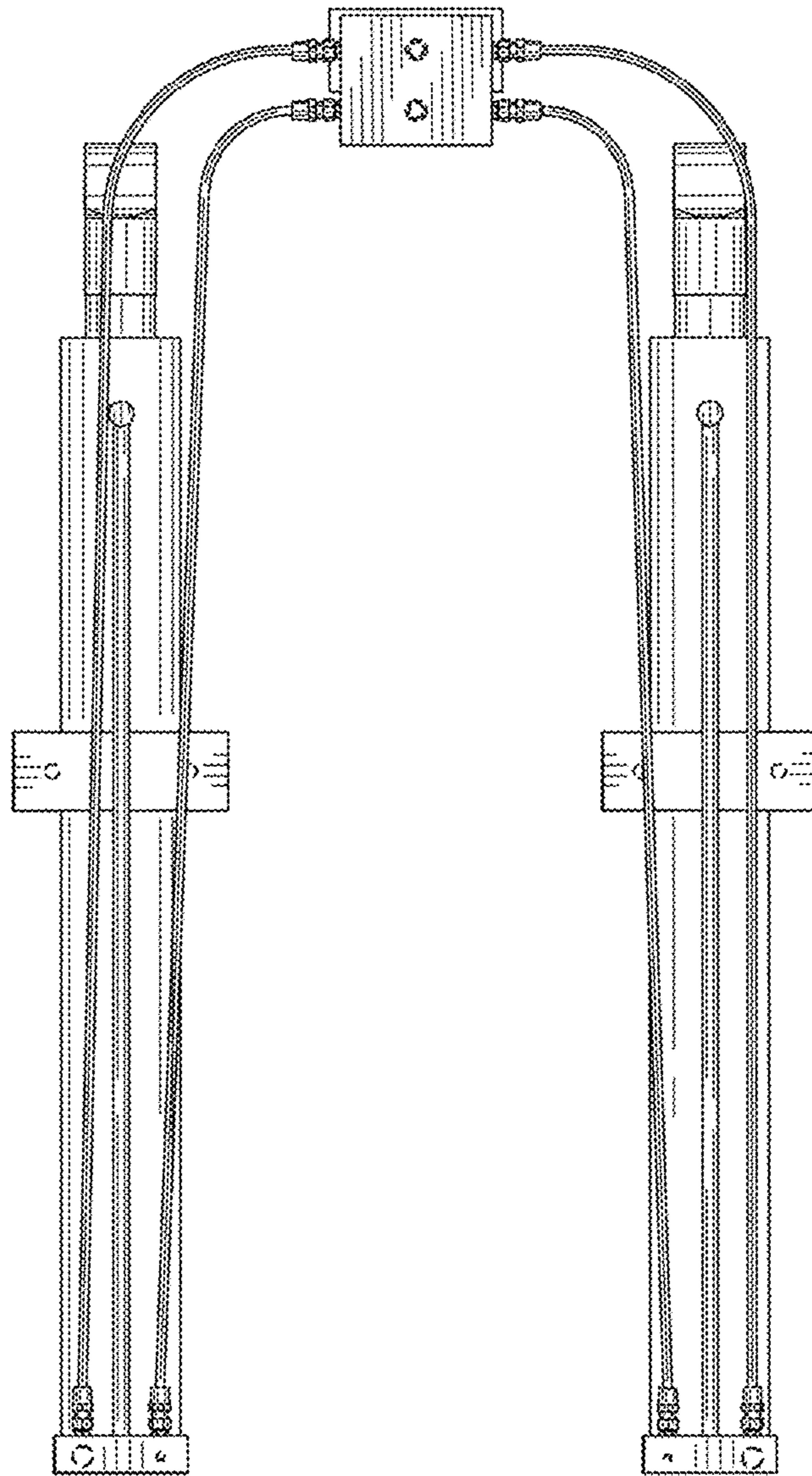


Figure 1

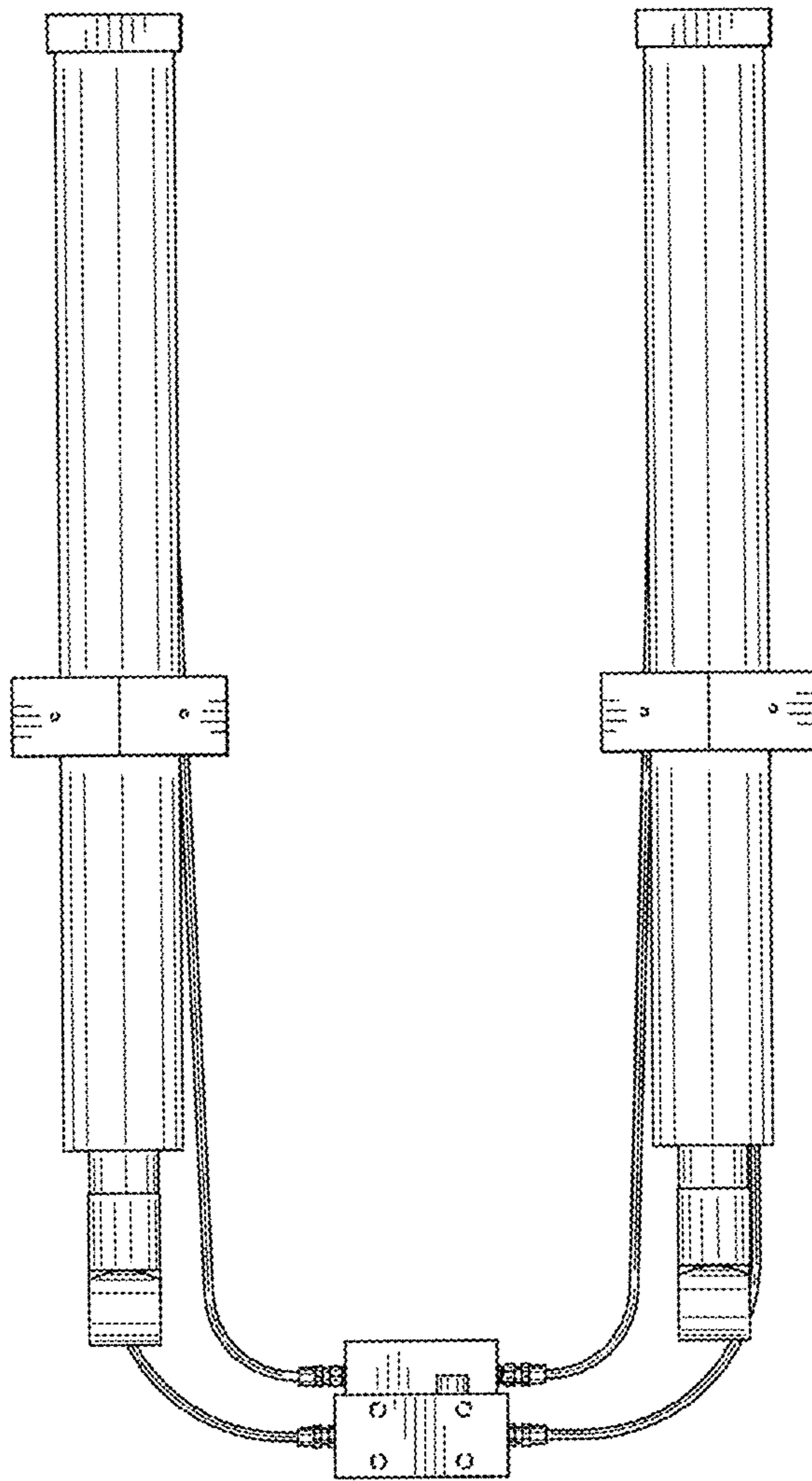


Figure 2

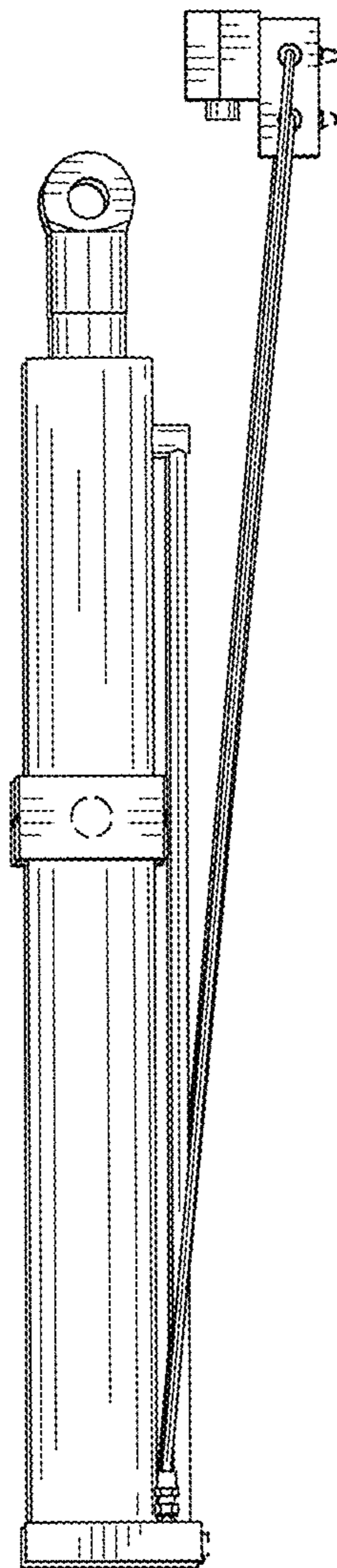


Figure 3

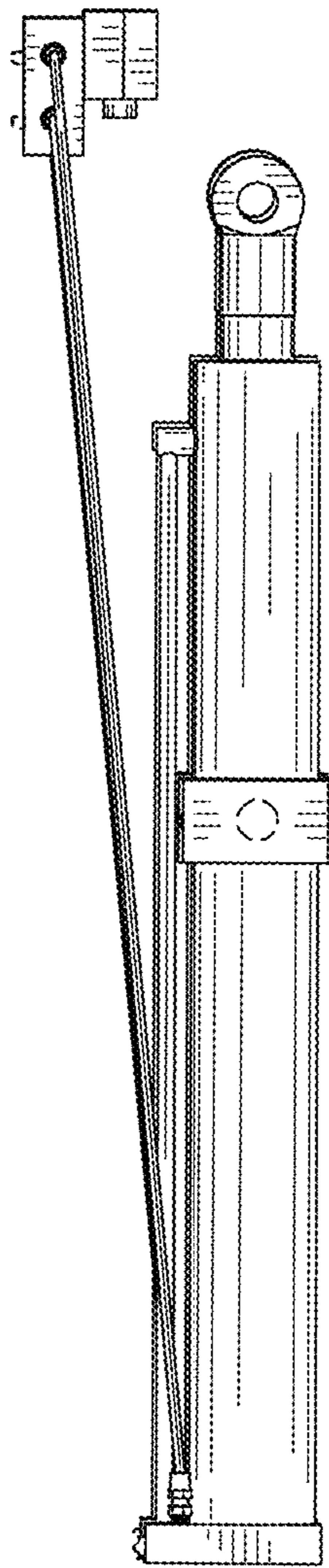


Figure 4

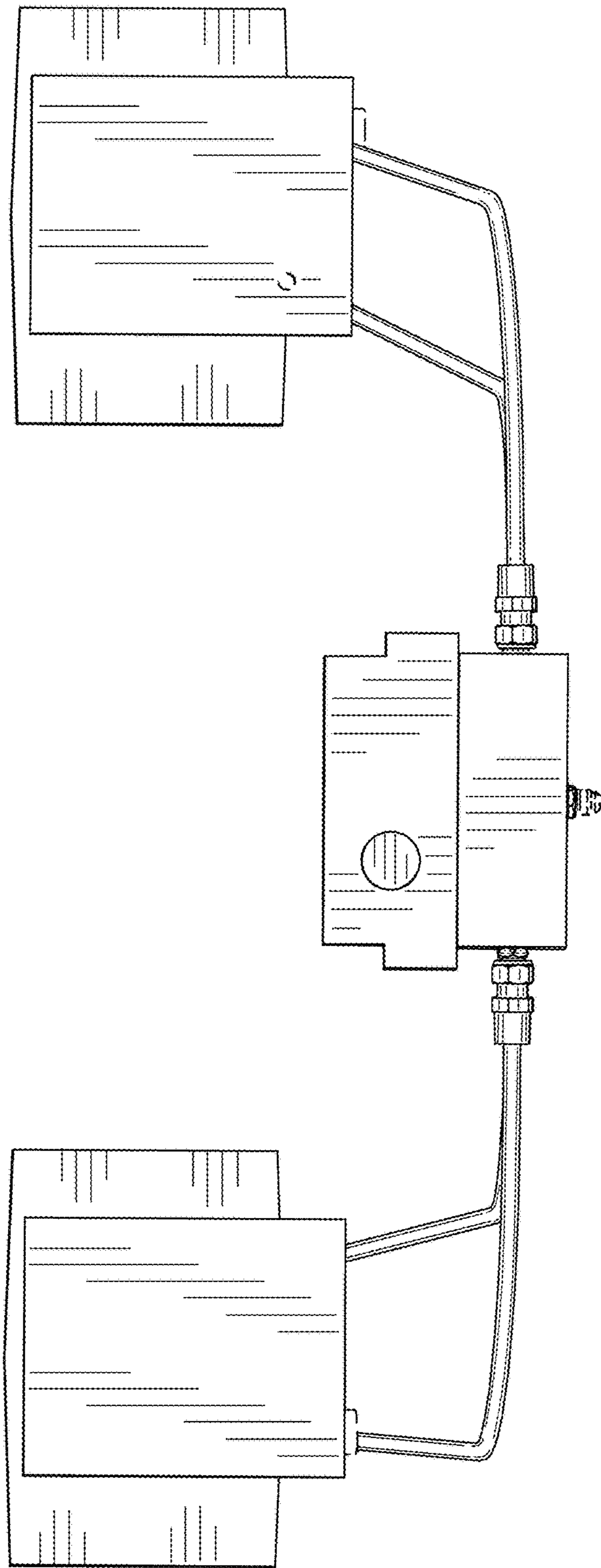


Figure 5

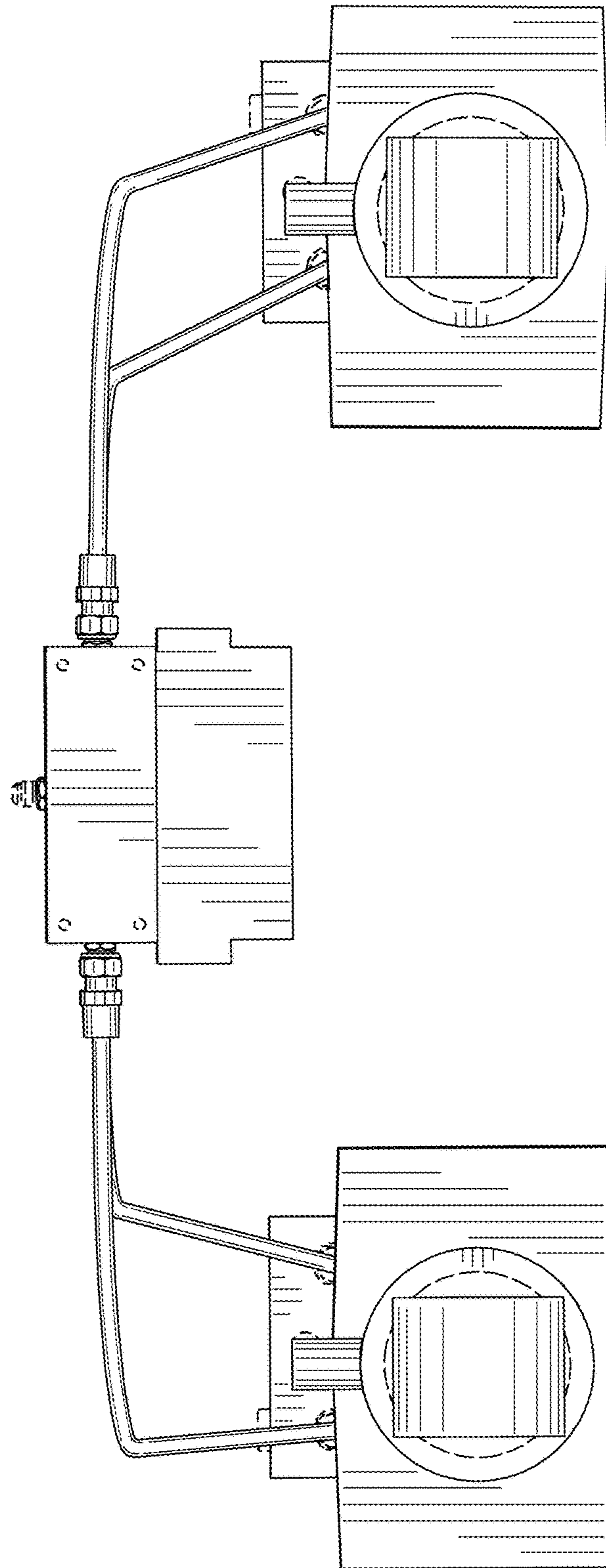


Figure 6

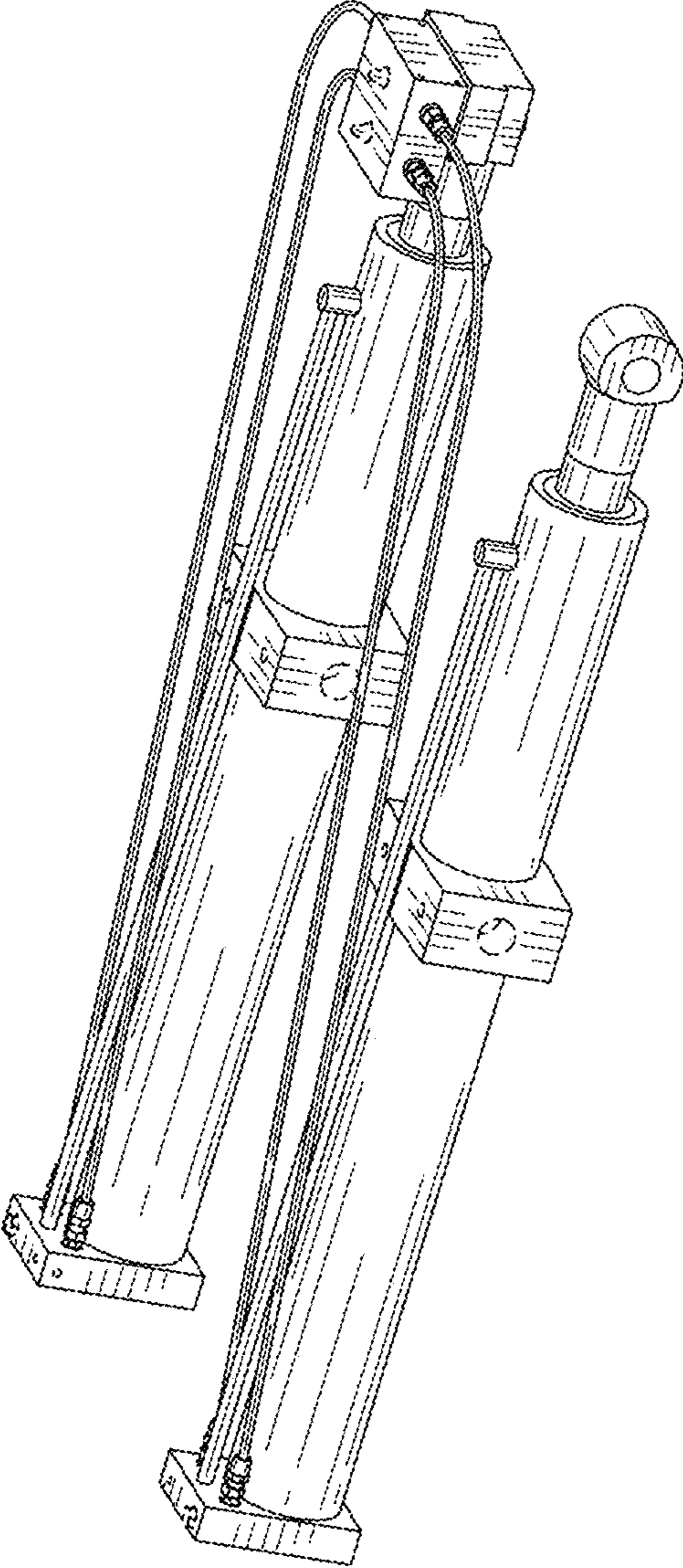


Figure 7