



US00D795754S

(12) **United States Design Patent**
Zellers, Sr.

(10) **Patent No.:** **US D795,754 S**

(45) **Date of Patent:** **** Aug. 29, 2017**

(54) **WHEELCHAIR BRAKE ATTACHMENT BRACKET**

D743,244 S * 11/2015 Anderson D8/394
D763,060 S * 8/2016 Rimmel D8/349
D765,564 S * 9/2016 Stierli D12/133

(71) Applicant: **David A. Zellers, Sr.**, Bethlehem, PA (US)

* cited by examiner

(72) Inventor: **David A. Zellers, Sr.**, Bethlehem, PA (US)

Primary Examiner — Charles Hanson

(74) *Attorney, Agent, or Firm* — Clinton H. Wilkinson; Charles A. Wilkinson

(**) Term: **15 Years**

(57) **CLAIM**

(21) Appl. No.: **29/571,278**

I claim the ornamental design for a wheelchair brake attachment bracket, as shown and described.

(22) Filed: **Jul. 15, 2016**

DESCRIPTION

(51) **LOC (10) Cl.** **12-12**

(52) **U.S. Cl.**
USPC **D12/133**

(58) **Field of Classification Search**
USPC D12/128–133
CPC A61G 5/00–5/14; B62B 7/00–7/04; B62B 9/00–9/28; A61H 3/00; A61H 3/04
See application file for complete search history.

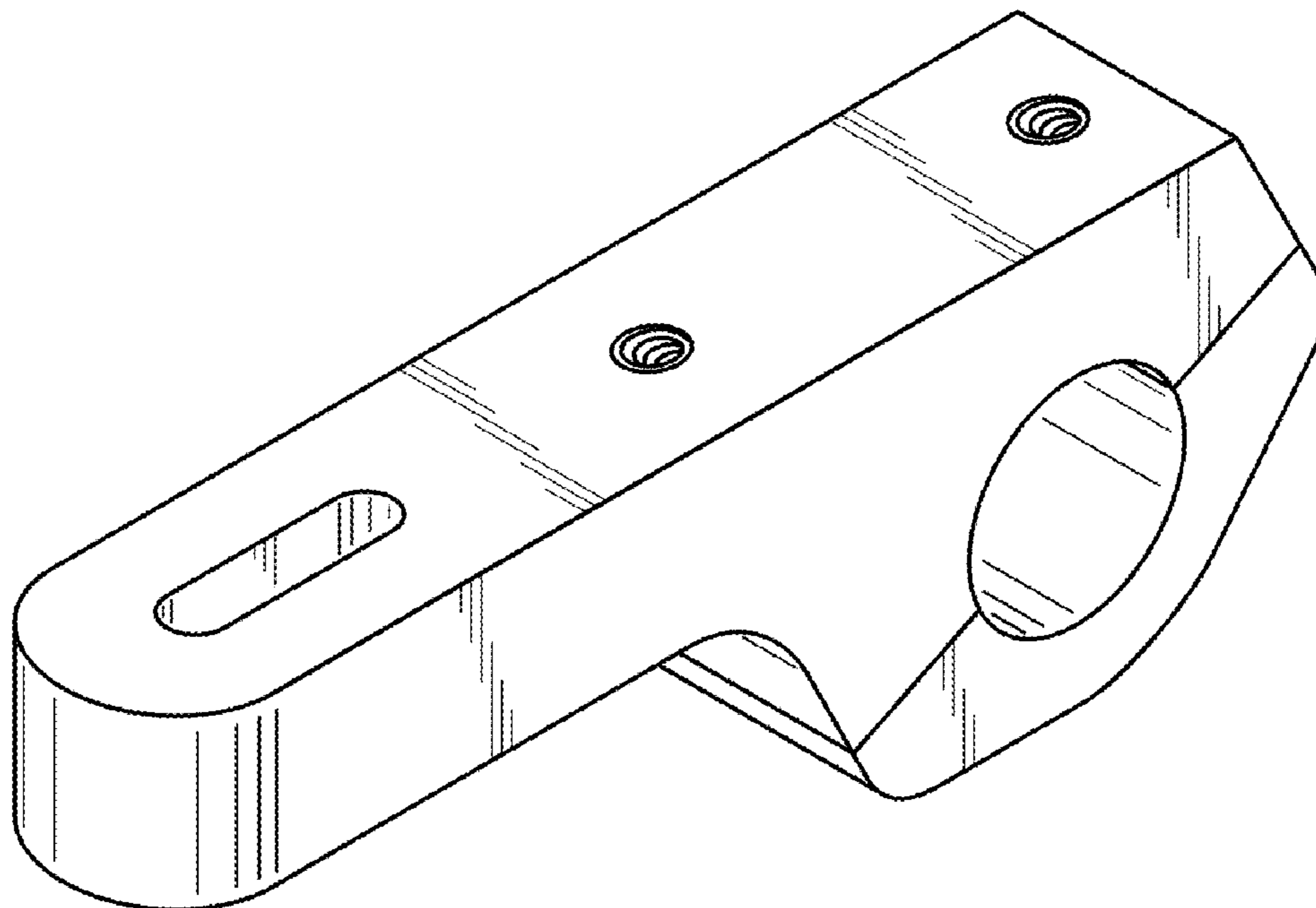
(56) **References Cited**

U.S. PATENT DOCUMENTS

D506,419 S *	6/2005	Coster	D12/133
D516,471 S	3/2006	Zellers		
D553,971 S *	10/2007	Krueger	D8/396
D583,640 S *	12/2008	Gilham	D8/73
D643,281 S *	8/2011	Roberts	D8/394
D656,811 S *	4/2012	Giordano	D8/349
D690,190 S *	9/2013	McGrath	D8/394
D720,664 S *	1/2015	Wang	D12/133
D727,216 S *	4/2015	Brown, Jr.	D12/133
D727,217 S *	4/2015	Brown, Jr.	D12/133
D730,708 S *	6/2015	Spector	D8/73

FIG. 1 is a top perspective view of a wheelchair brake attachment bracket showing my new design; FIG. 2 is a side elevation view thereof; FIG. 3 is an end elevation view thereof; FIG. 4 is an opposite end elevation view thereof; FIG. 5 is a top view thereof; FIG. 6 is a bottom view thereof; FIG. 7 is an opposite side elevation view thereof; FIG. 8 is another top perspective view including a brake shown in broken lines secured to the design; FIG. 9 is another top perspective view including an alternative brake shown in broken lines secured to the design; and, FIG. 10 is another top perspective view including the brake shown in FIG. 8 and a partial wheelchair frame and wheel shown in broken lines in combination with the design. Material shown in the several views in broken lines illustrates variable environmental material and should not be considered part of the claimed design.

1 Claim, 5 Drawing Sheets



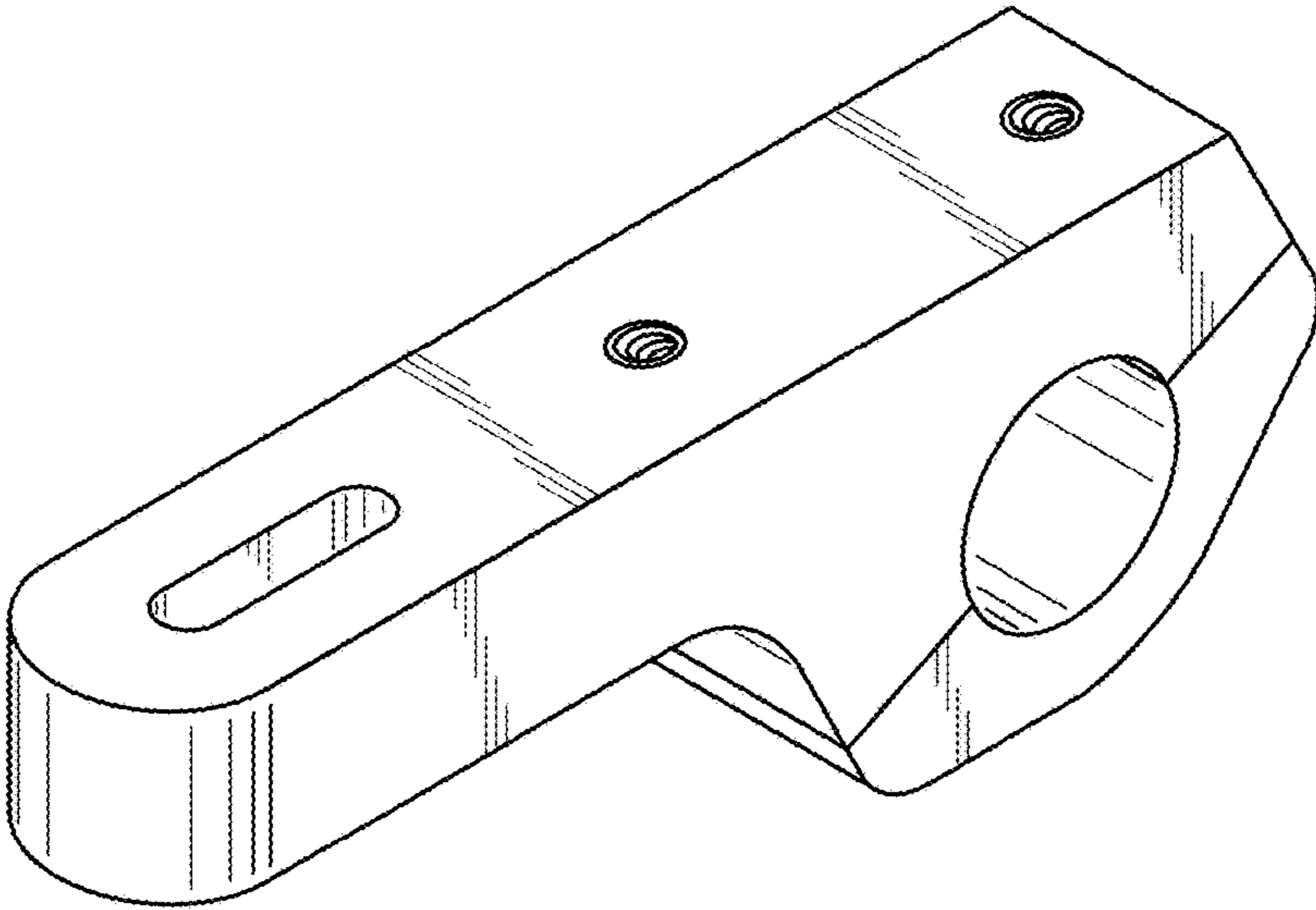


FIG. 1

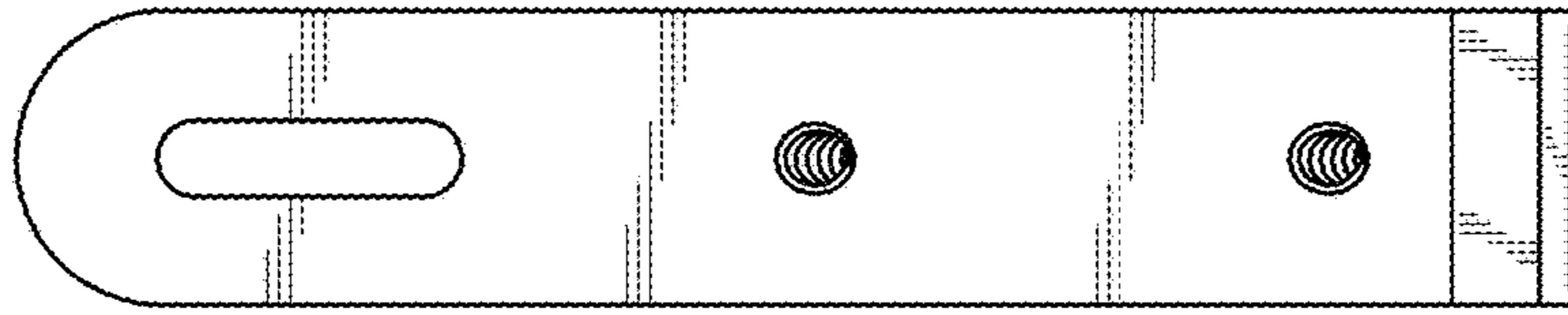


FIG. 5

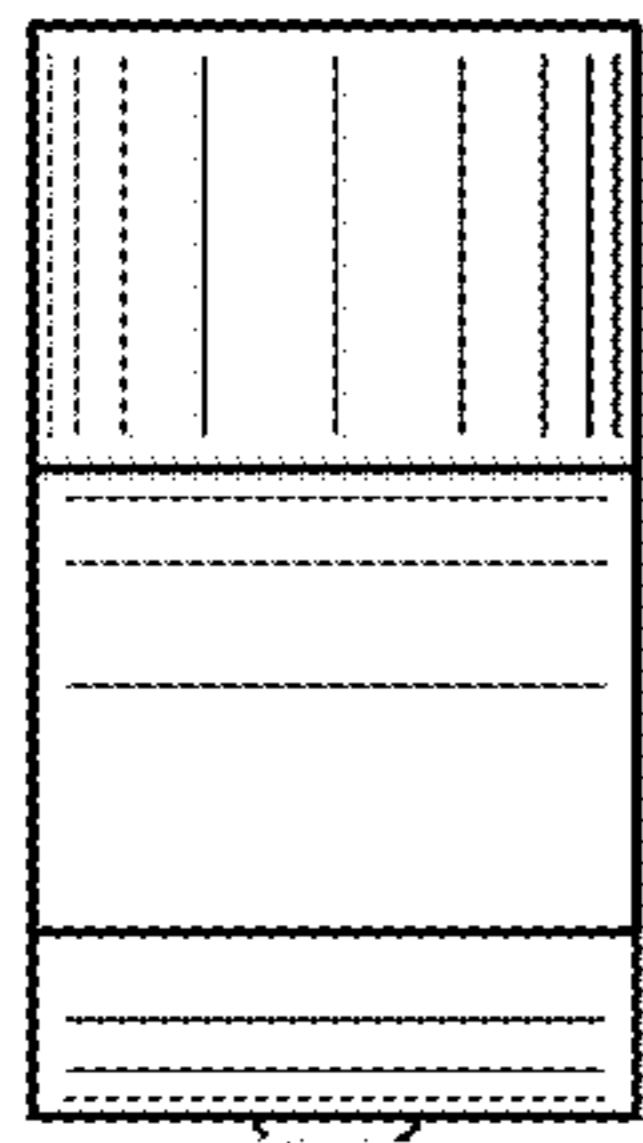


FIG. 3

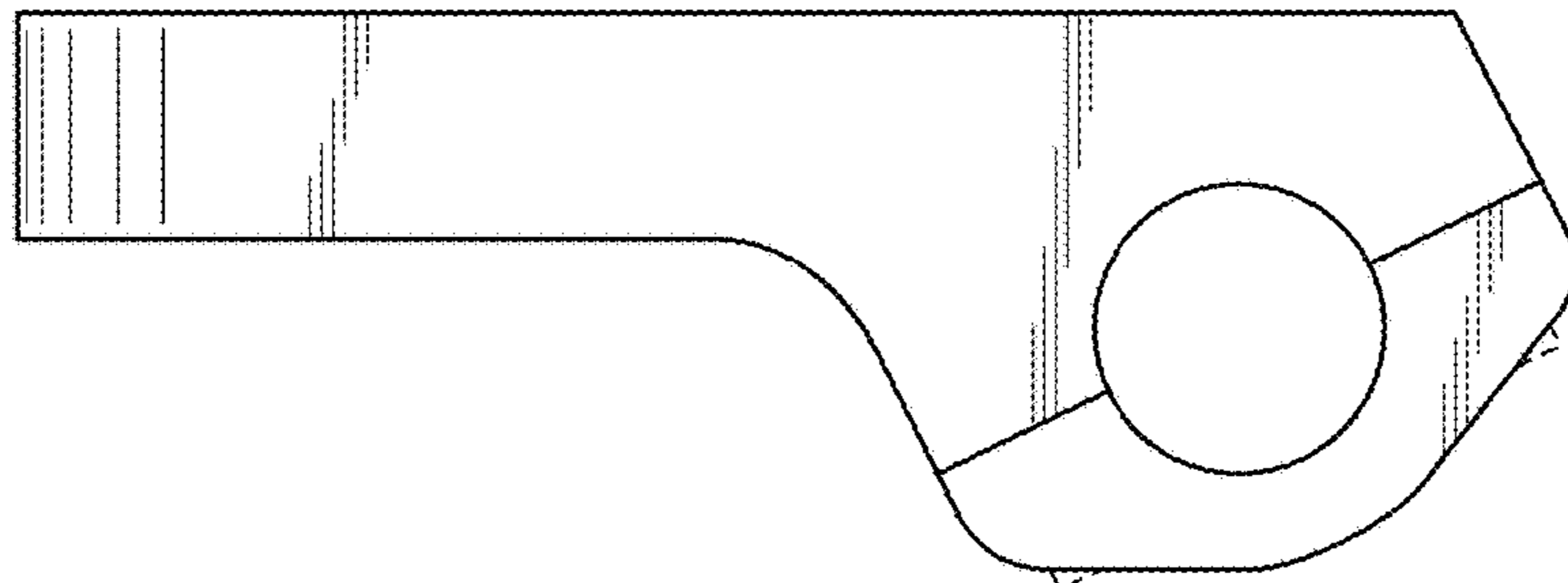


FIG. 2

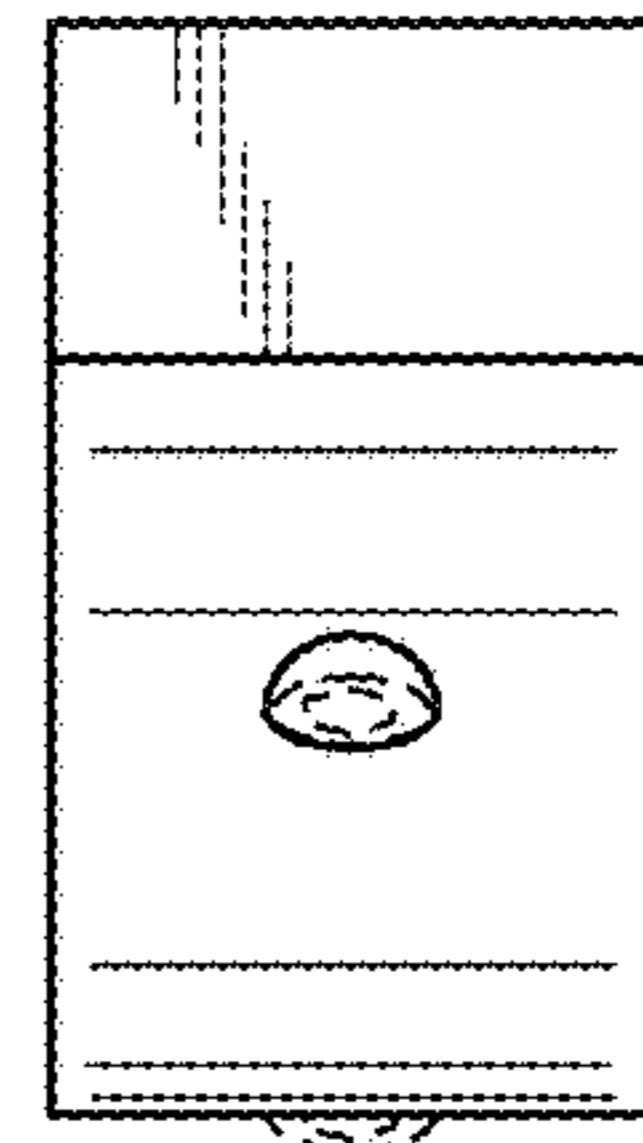


FIG. 4

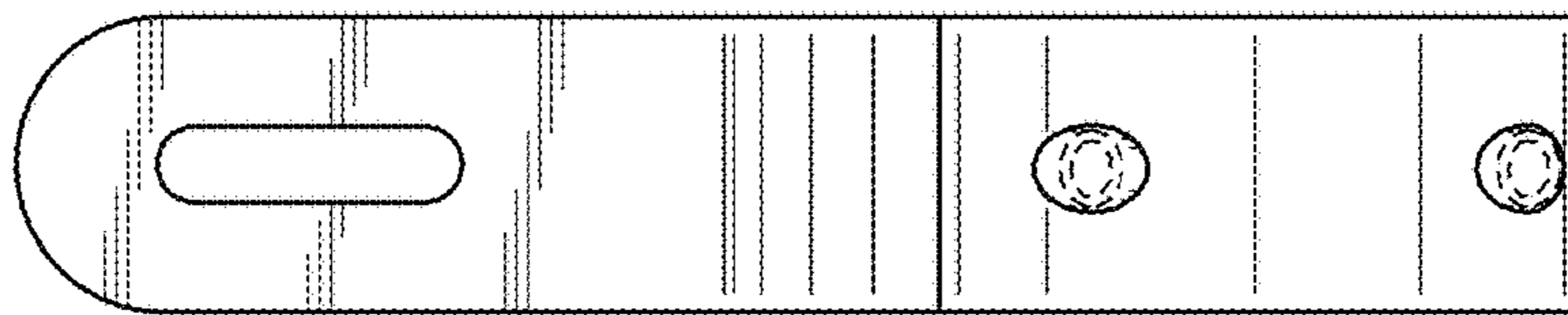


FIG. 6

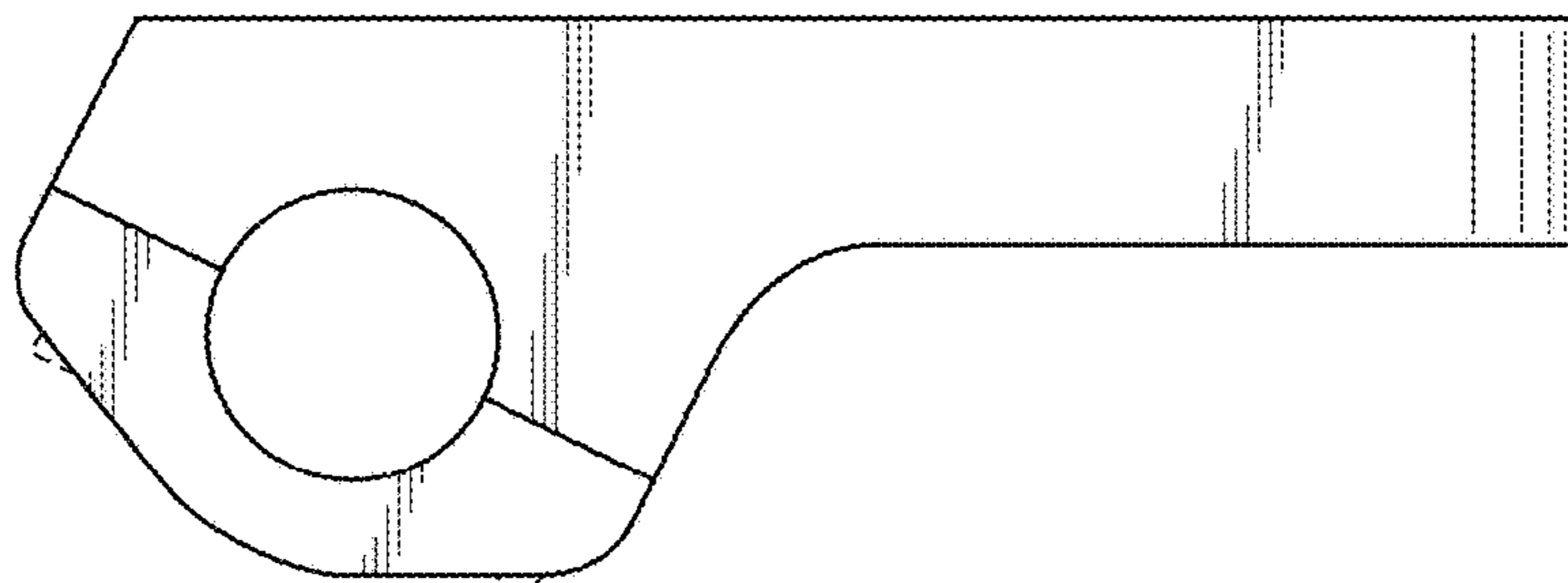
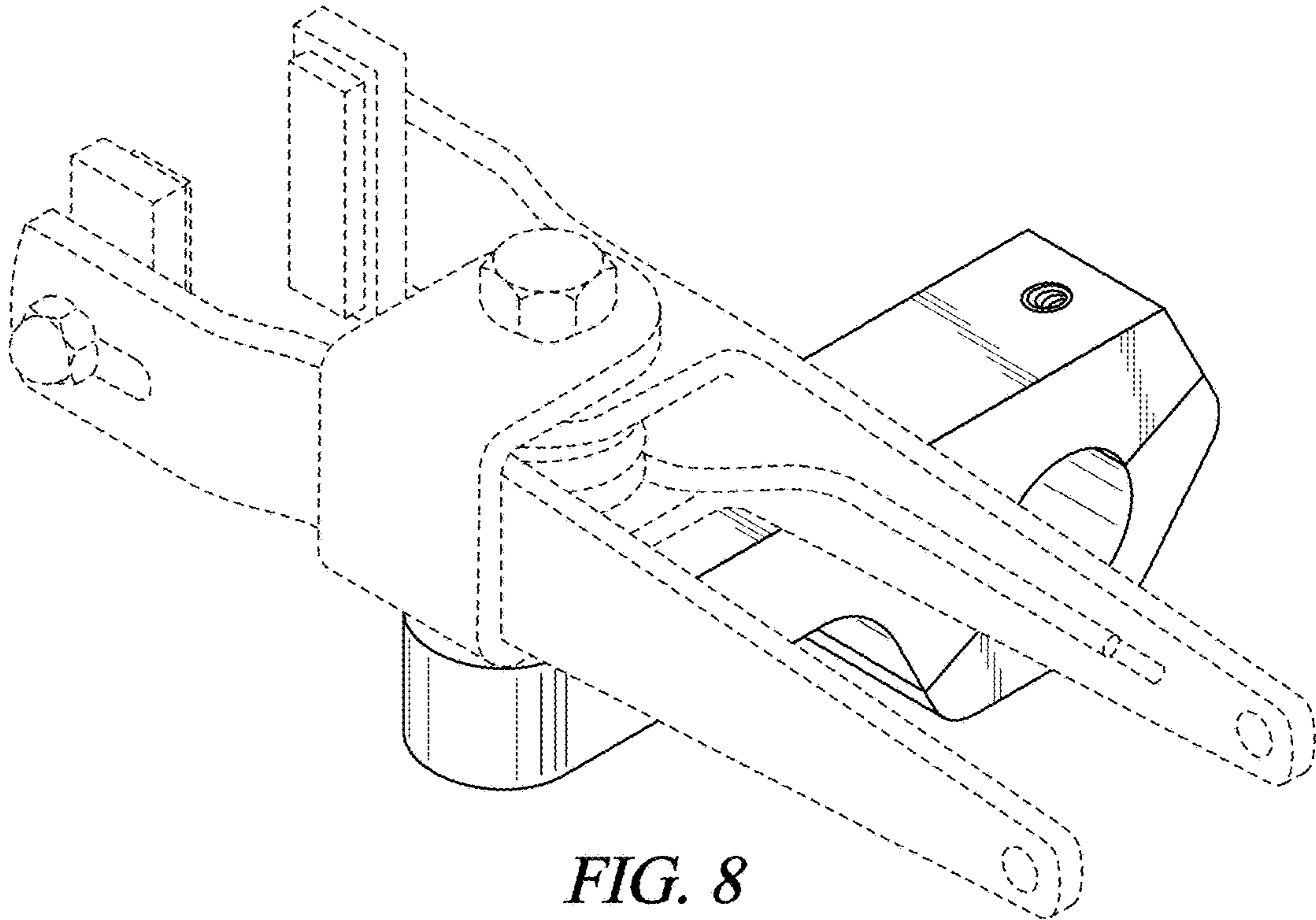


FIG. 7



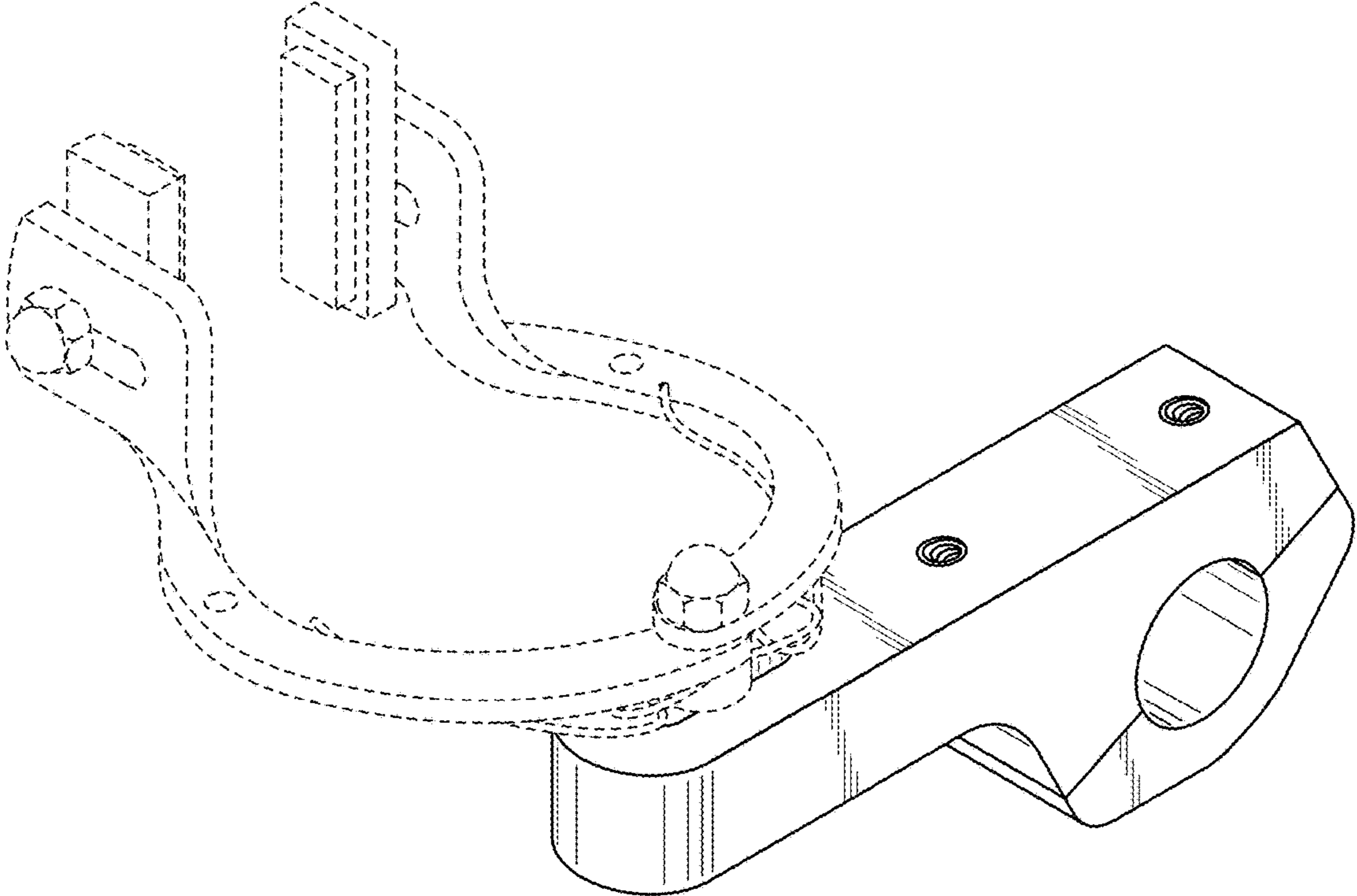


FIG. 9

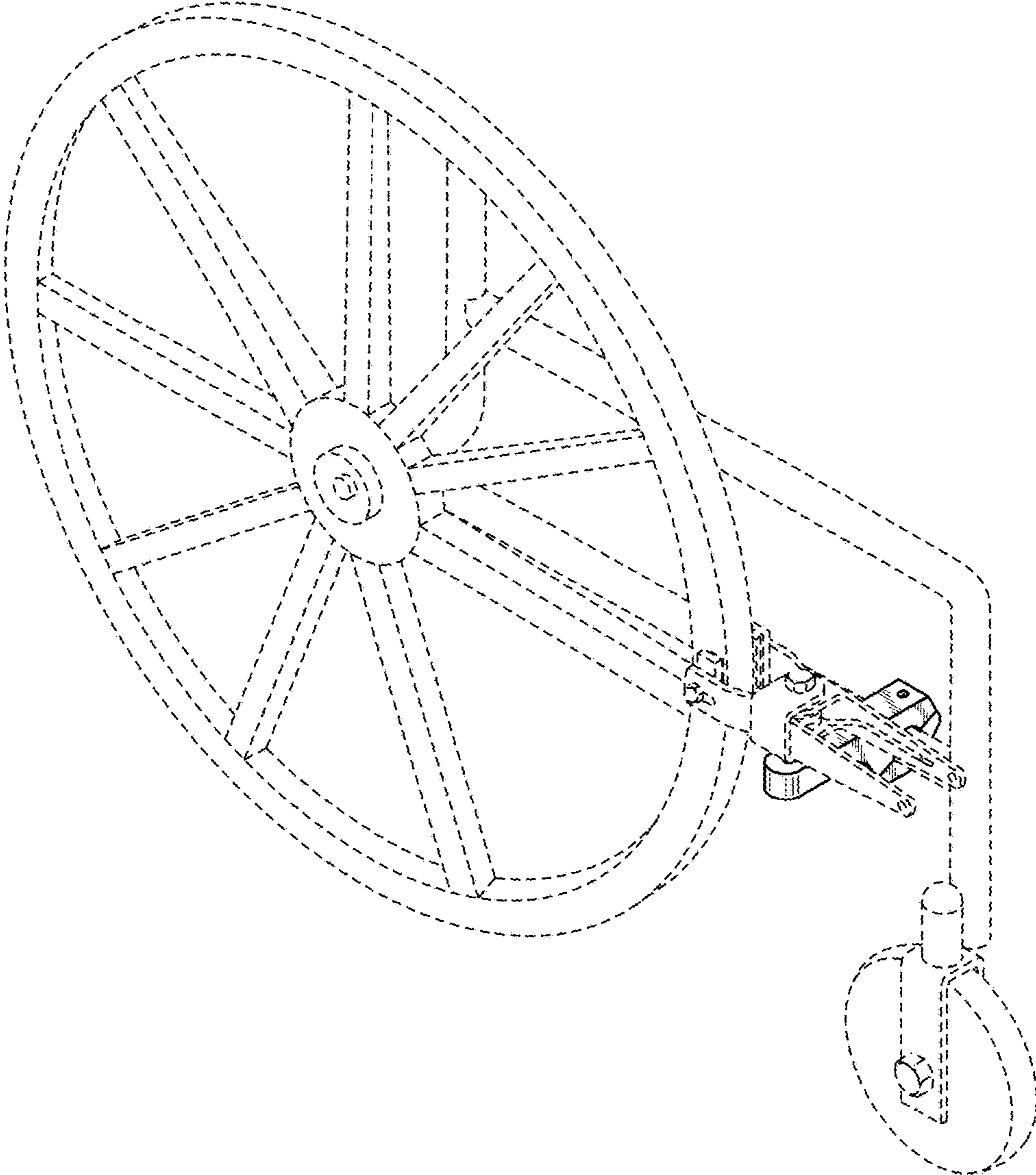


FIG. 10