



US00D795748S

(12) **United States Design Patent** (10) **Patent No.:** **US D795,748 S**
Hu (45) **Date of Patent:** **** Aug. 29, 2017**

(54) **DECORATIONS FOR A MOTORCYCLE**
(71) Applicant: **NINGBO XINKAIHONG MACHINE FABRICATE CO., LTD**, Ningbo, Zhejiang (CN)
(72) Inventor: **Hongbin Hu**, Zhejiang (CN)
(73) Assignee: **NINGBO XINKAIHONG MACHINE FABRICATE CO., LTD**, Ningbo (CN)

D488,408 S * 4/2004 Carli D12/126
6,790,251 B1 * 9/2004 Brady, Jr. B01D 46/0004
123/198 E
D528,947 S * 9/2006 Carli D12/126
D544,083 S * 6/2007 Walser D12/114
D569,775 S * 5/2008 Huang D12/197
D597,911 S * 8/2009 Hu D12/190
D624,457 S * 9/2010 McCullough D12/114
D649,916 S * 12/2011 McCullough D12/114
D669,411 S * 10/2012 Lyons D12/213
D687,758 S * 8/2013 Lyons D12/213

(**) Term: **15 Years**

* cited by examiner

(21) Appl. No.: **29/541,465**

Primary Examiner — George D. Kirschbaum

Assistant Examiner — Clese Moore, Jr.

(22) Filed: **Oct. 4, 2015**

(51) **LOC (10) Cl.** **12-11**

(52) **U.S. Cl.**
USPC **D12/114; D12/126**

(57) **CLAIM**

The ornamental design for decorations for a motorcycle, as shown and described.

(58) **Field of Classification Search**
USPC D12/114, 110, 123, 125, 213, 126, 174,
D12/177-180, 223, 197, 400; D8/349
CPC B62K 35/00; B62K 11/04; B62K 19/30;
B62J 15/00; B62J 11/00
See application file for complete search history.

DESCRIPTION

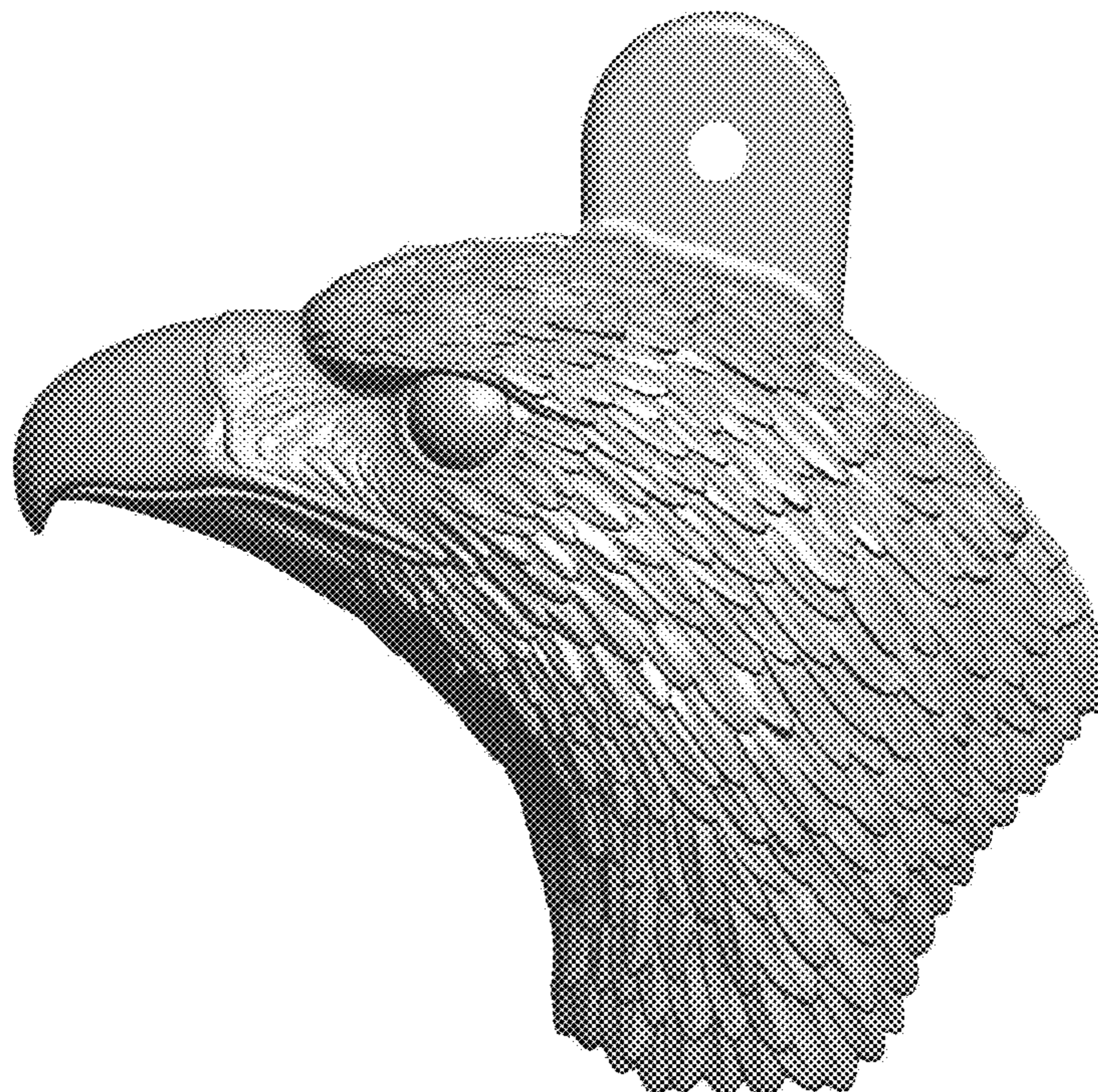
FIG. 1 is a front elevational view of decorations for a motorcycle showing my new design;
FIG. 2 is a rear elevational view thereof;
FIG. 3 is a left side view thereof;
FIG. 4 is a right side view thereof;
FIG. 5 is a top plan view thereof;
FIG. 6 is a bottom plan view thereof;
FIG. 7 is a first perspective view thereof; and,
FIG. 8 is a second perspective view thereof.

(56) **References Cited**

U.S. PATENT DOCUMENTS

D84,659 S * 7/1931 Schnell et al. D12/199
D446,753 S * 8/2001 Golden D12/126
D469,395 S * 1/2003 Himsl D12/400

1 Claim, 7 Drawing Sheets



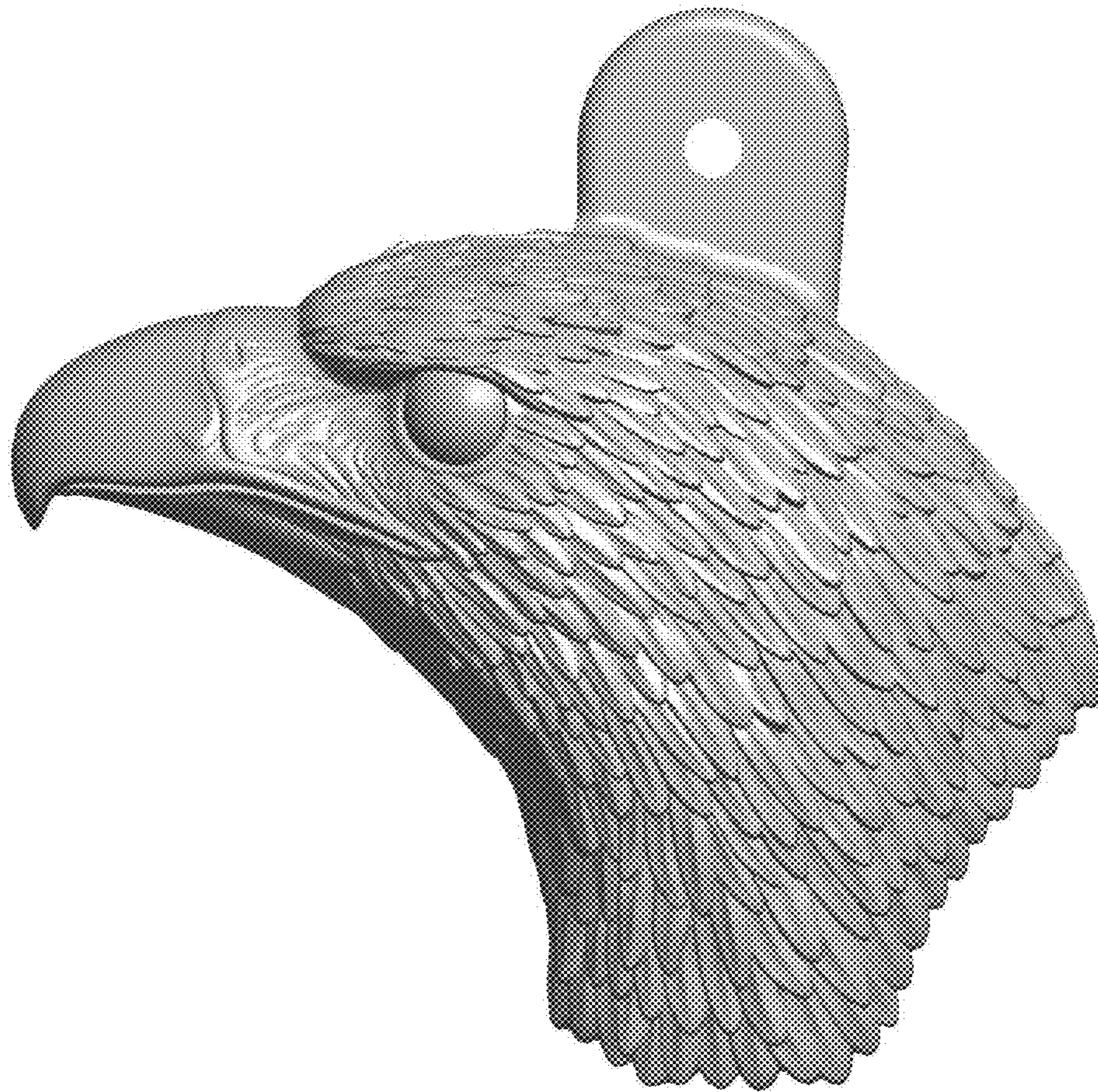


FIG. 1

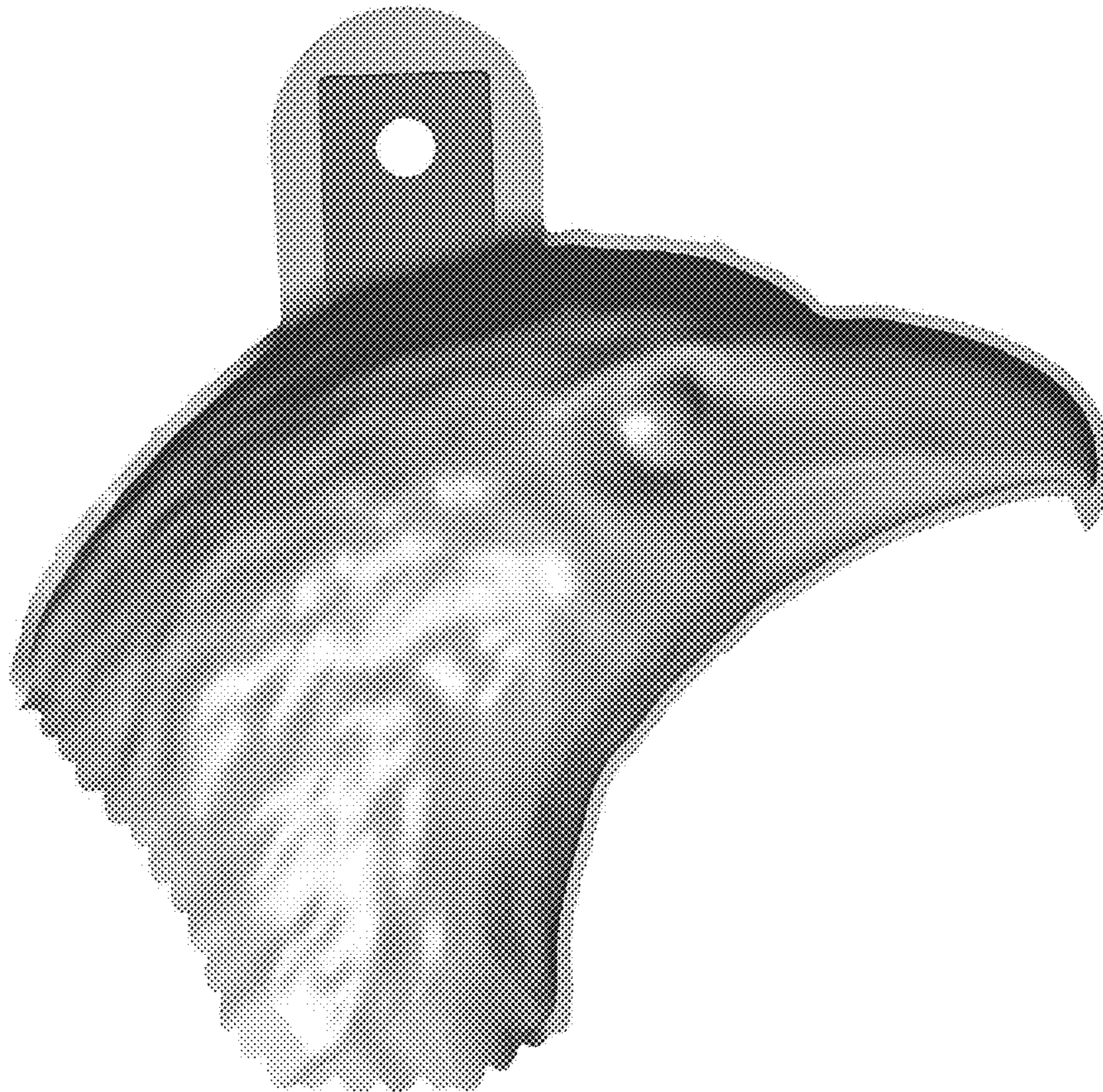


FIG.2

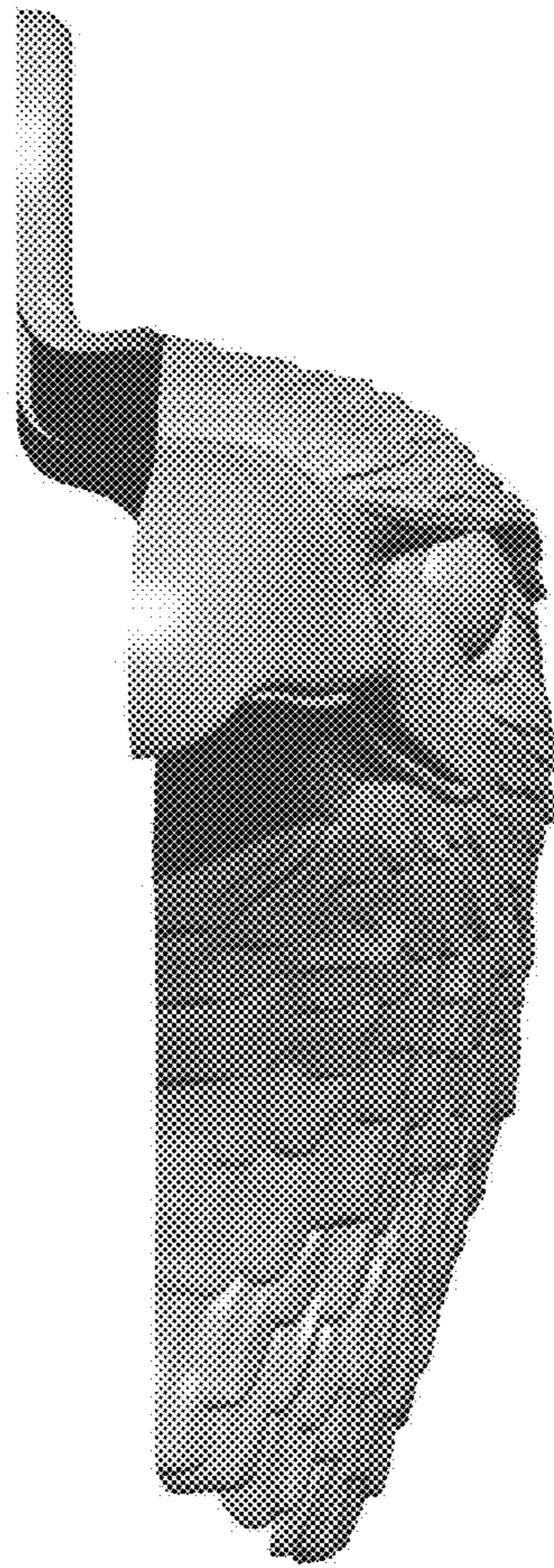


FIG.3

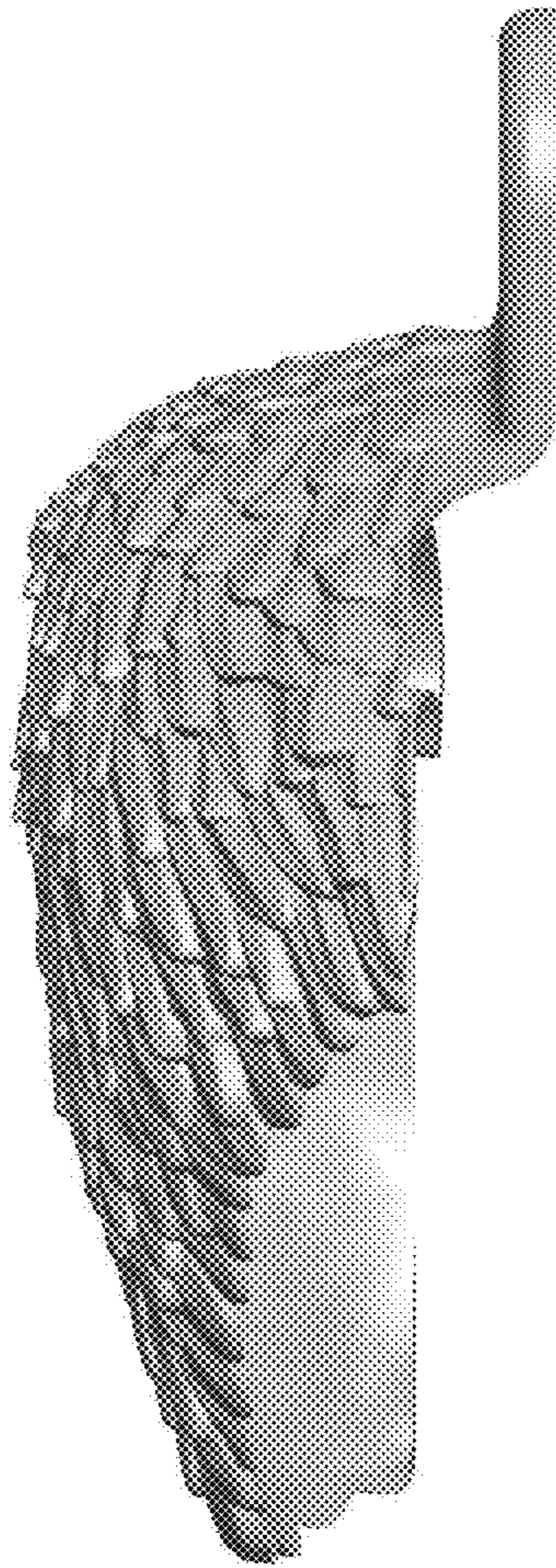


FIG.4

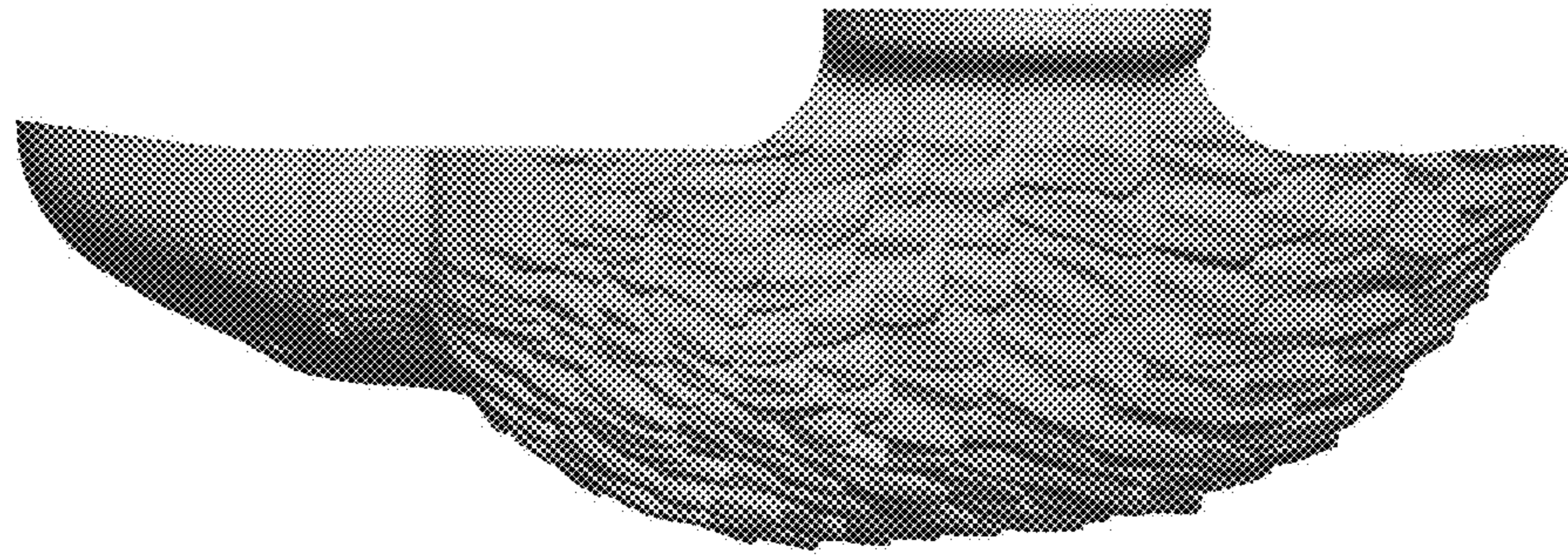


FIG. 5

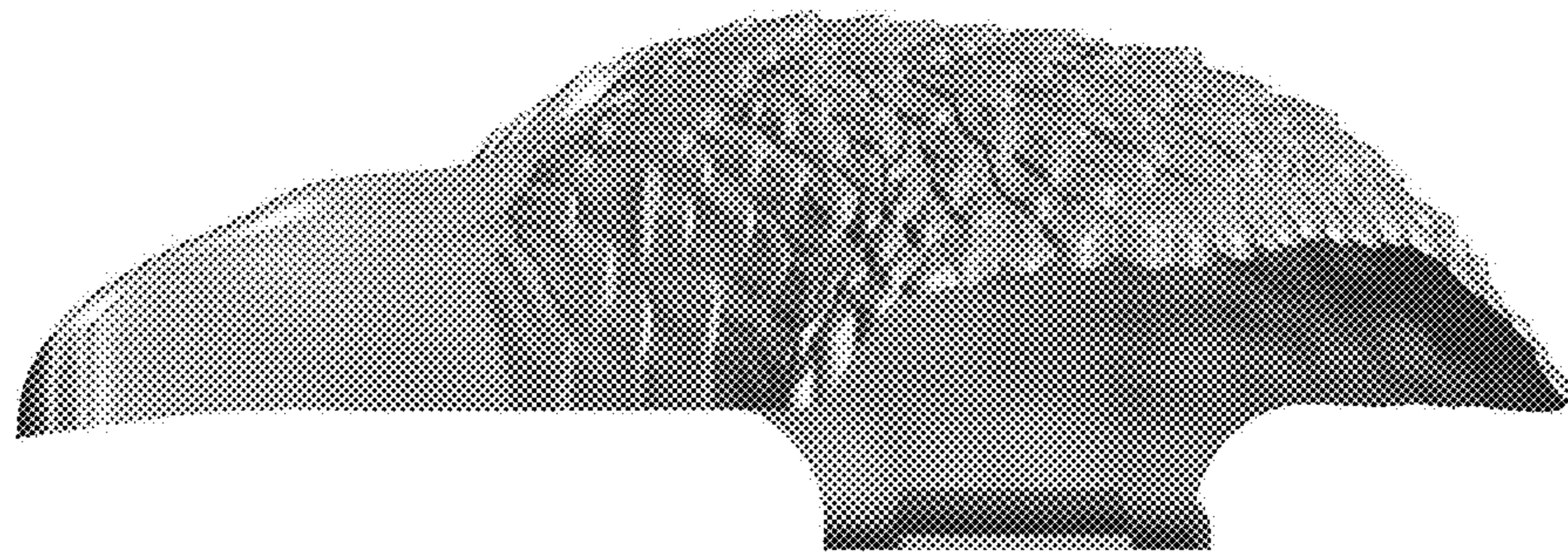


FIG. 6



FIG. 7

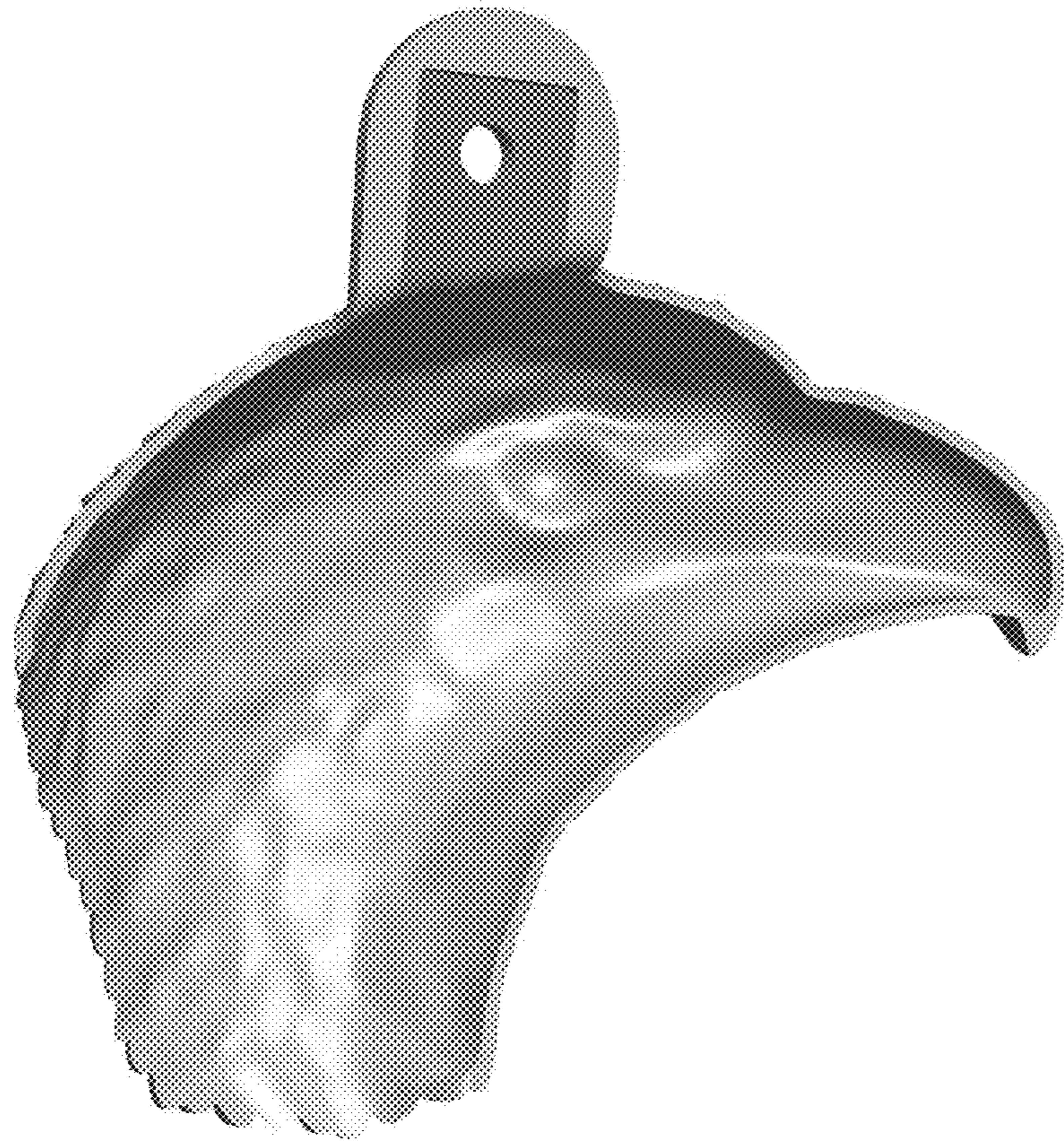


FIG.8