



US00D795747S

(12) **United States Design Patent**  
**Bailie**

(10) **Patent No.:** **US D795,747 S**

(45) **Date of Patent:** **\*\* Aug. 29, 2017**

(54) **ELECTRIC BICYCLE**

(71) Applicant: **GM GLOBAL TECHNOLOGY OPERATIONS LLC**, Detroit, MI (US)

(72) Inventor: **Jess R. Bailie**, Shelby Township, MI (US)

(73) Assignee: **GM Global Technology Operations LLC**, Detroit, MI (US)

(\*\*) Term: **15 Years**

(21) Appl. No.: **29/538,901**

(22) Filed: **Sep. 9, 2015**

(51) **LOC (10) Cl.** ..... **12-11**

(52) **U.S. Cl.**  
USPC ..... **D12/111**

(58) **Field of Classification Search**  
USPC ..... D12/111, 117; D21/419, 424;  
280/274-280, 281.1, 283-288,  
280/288.1-288.4

CPC ... B62K 3/00; B62K 3/02; B62K 3/06; B62K  
3/08; B62K 9/00; B62K 15/00; B62K  
15/006; B62K 15/008; B62K 17/00

See application file for complete search history.

(56) **References Cited**

**U.S. PATENT DOCUMENTS**

D466,839 S \* 12/2002 Ou ..... D12/110  
6,588,787 B2 \* 7/2003 Ou ..... B62K 15/008  
180/220

D498,438 S \* 11/2004 Ying ..... D12/111  
D503,362 S \* 3/2005 Zhu ..... D12/111  
D620,400 S \* 7/2010 Haller ..... D12/111  
D650,724 S \* 12/2011 Chiang ..... D12/111  
D685,683 S \* 7/2013 Shaw ..... D12/111  
D726,592 S \* 4/2015 Zhang ..... D12/107  
D727,215 S \* 4/2015 Yang ..... D12/111  
D746,924 S \* 1/2016 Delgatty ..... D21/423  
D750,711 S \* 3/2016 Delgatty ..... D21/423  
2012/0043148 A1 \* 2/2012 Brady ..... B60L 3/0069  
180/206.5  
2015/0060176 A1 \* 3/2015 Paick ..... B62M 6/60  
180/208

\* cited by examiner

*Primary Examiner* — Darlington Ly

(74) *Attorney, Agent, or Firm* — Reising Ethington P.C.

(57) **CLAIM**

The ornamental design for an electric bicycle, as shown and described.

**DESCRIPTION**

FIG. 1 is a front perspective view of the electric bicycle;

FIG. 2 is a front view thereof;

FIG. 3 is a right side elevation view thereof;

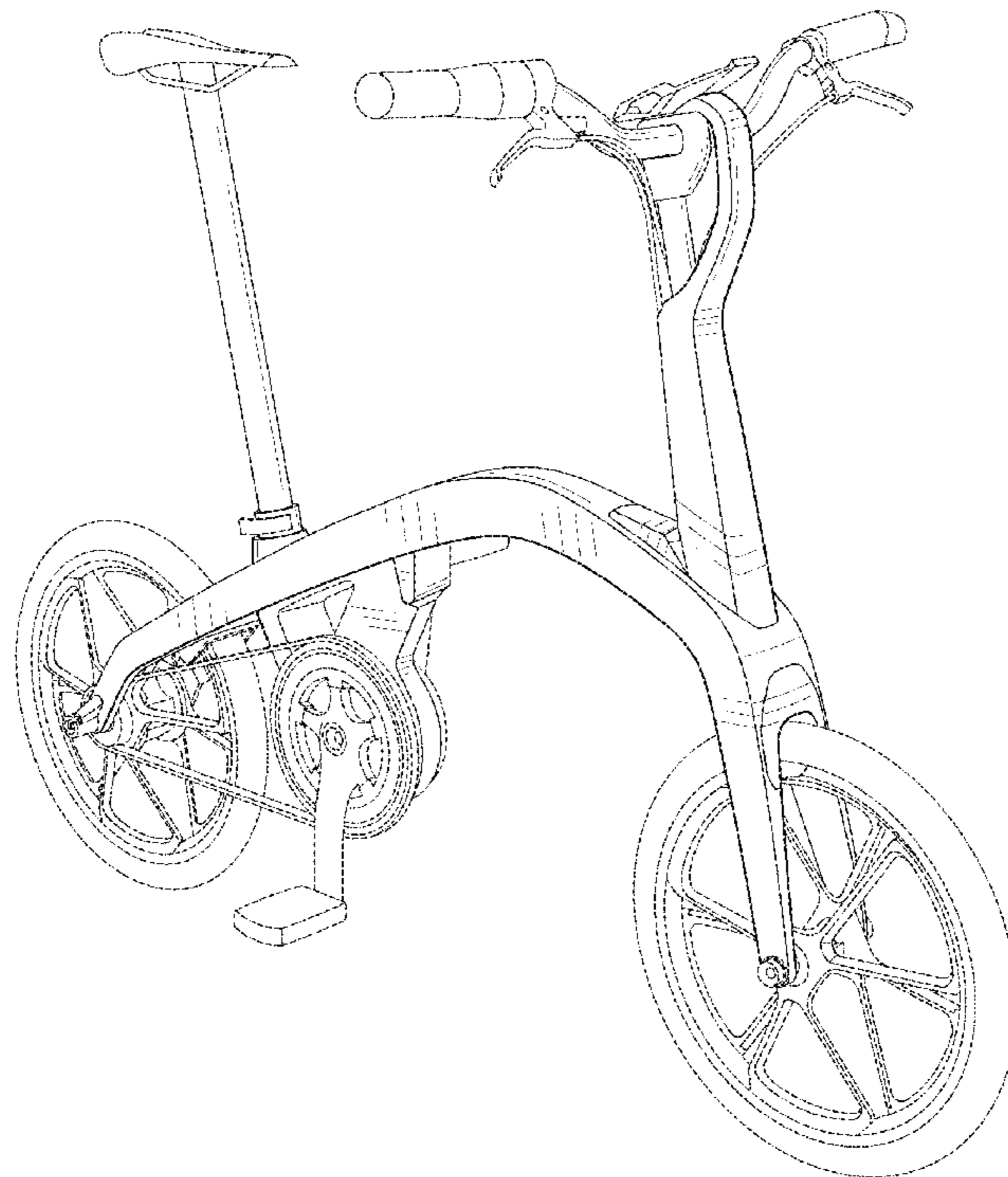
FIG. 4 is a top plan view thereof;

FIG. 5 is a rear view thereof; and,

FIG. 6 is a rear perspective view thereof.

The broken lines in the drawings illustrate portions of the electric bicycle that form no part of the claimed design.

**1 Claim, 6 Drawing Sheets**



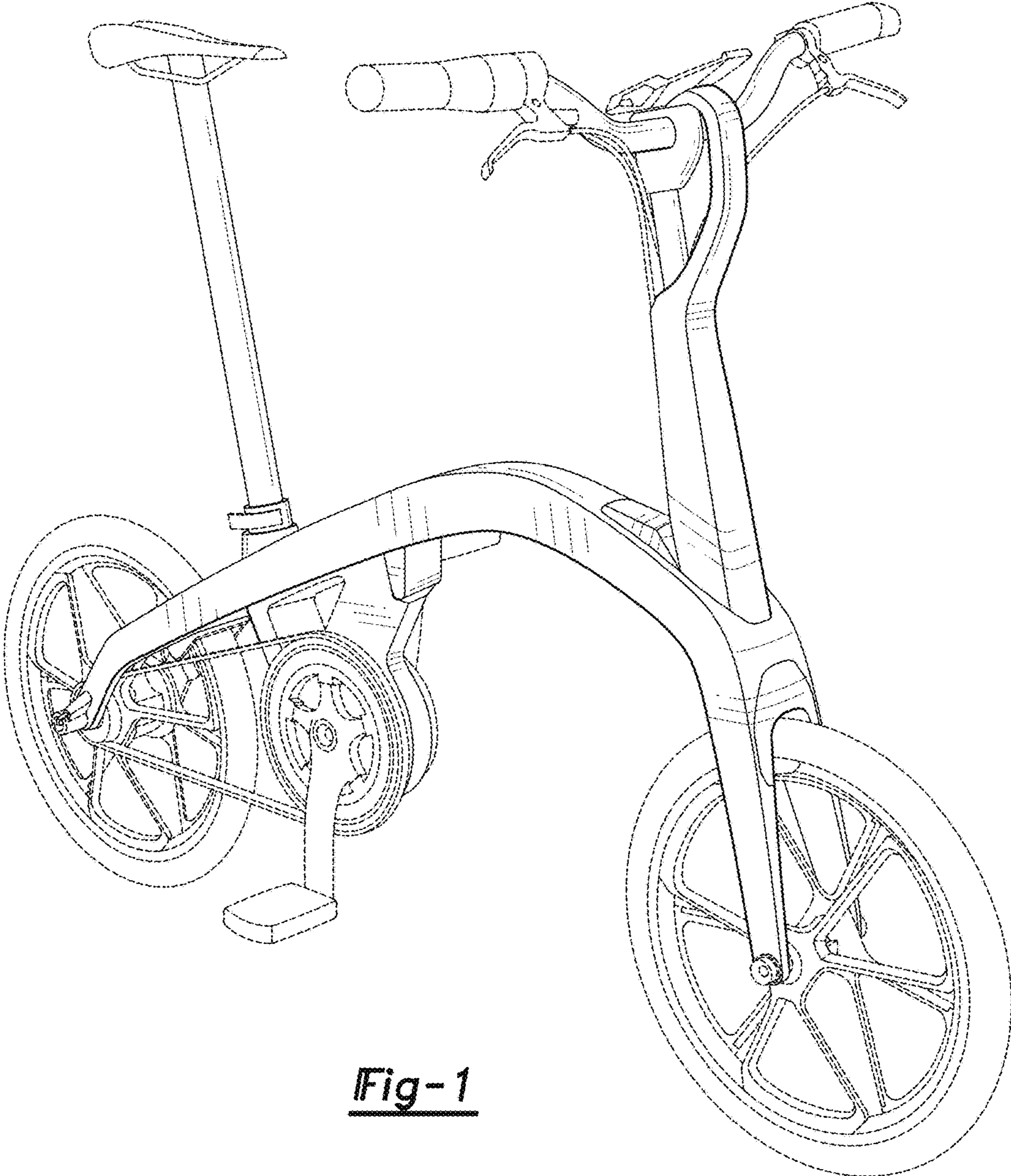


Fig-1

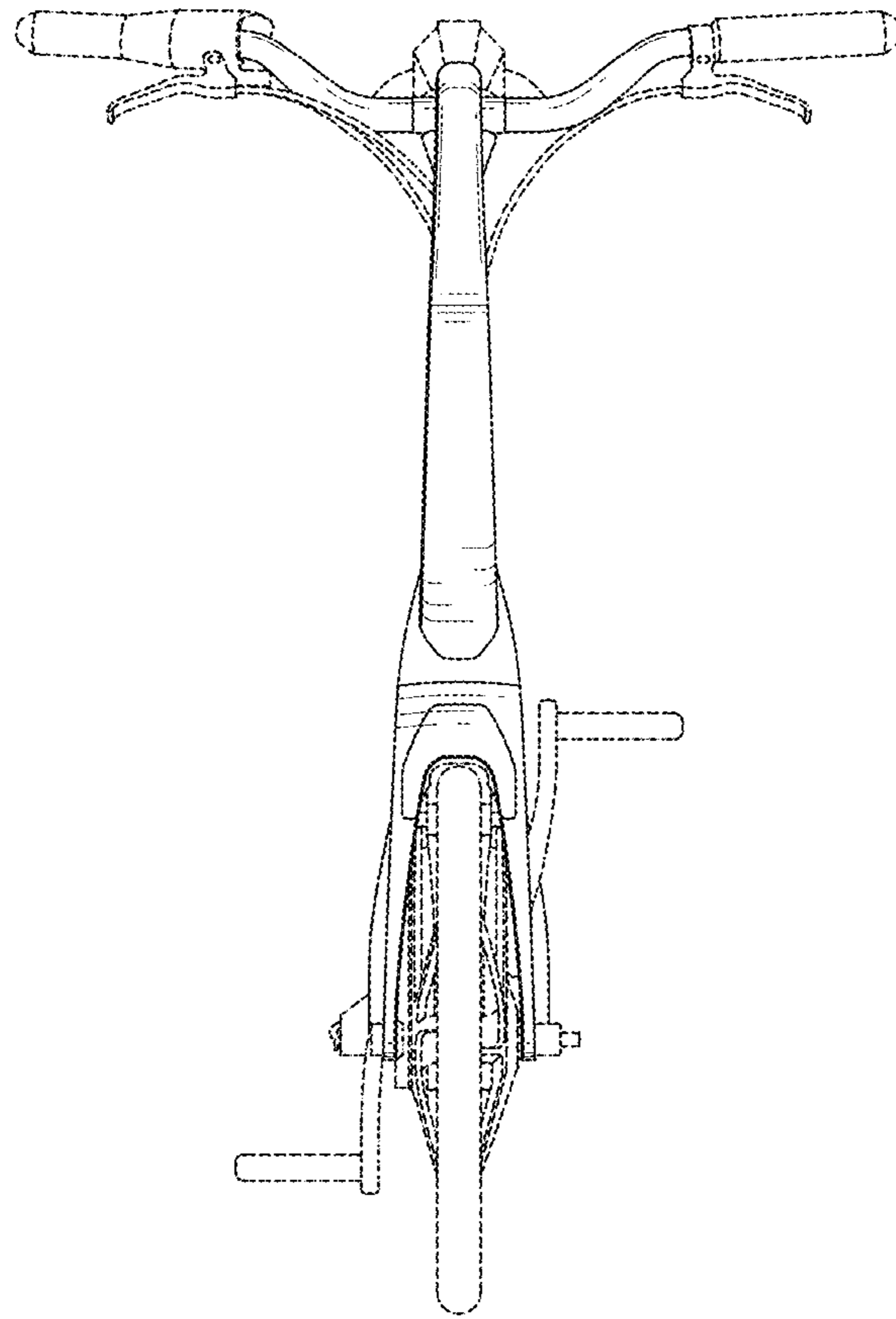


Fig-2

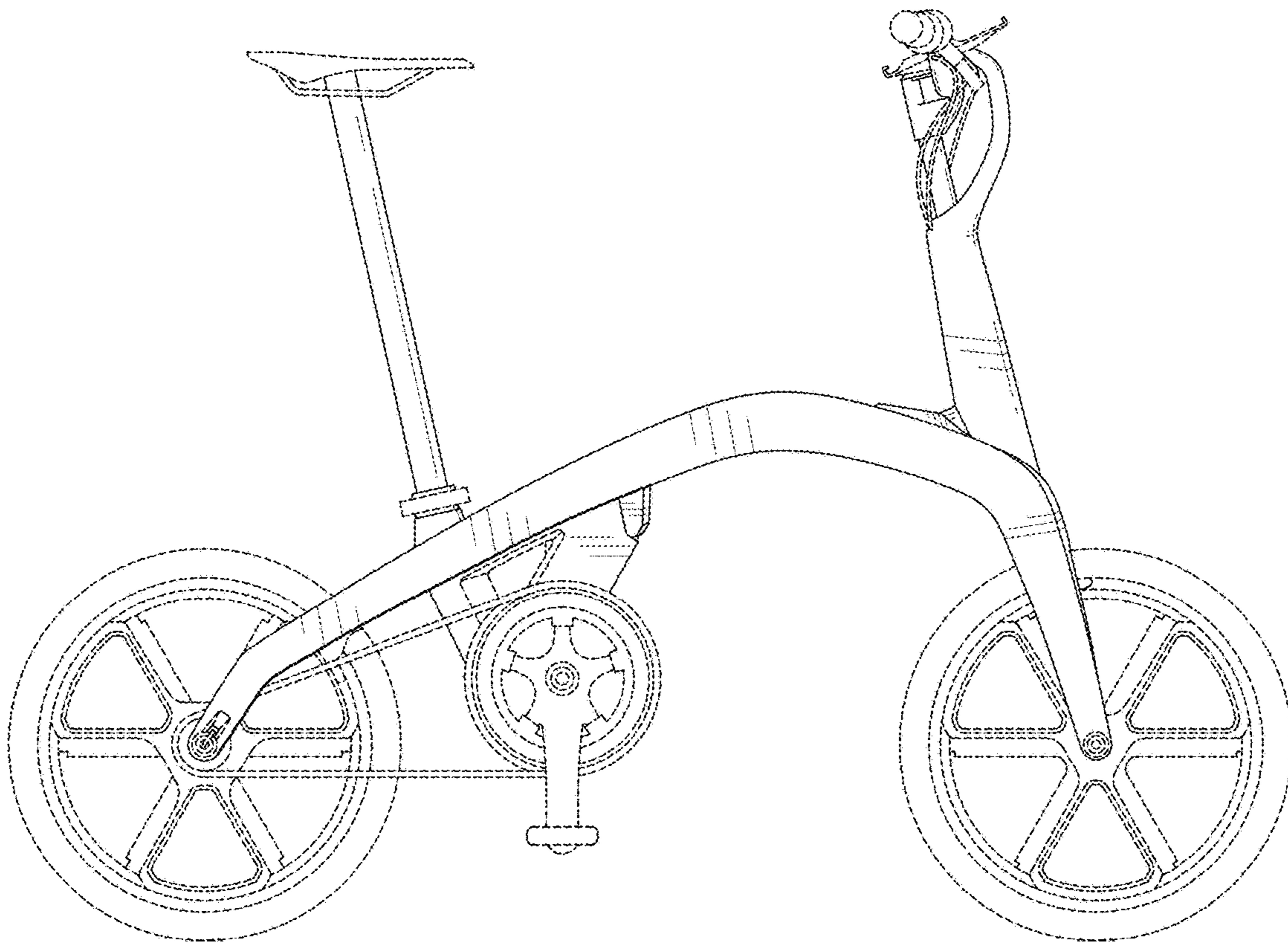


Fig-3

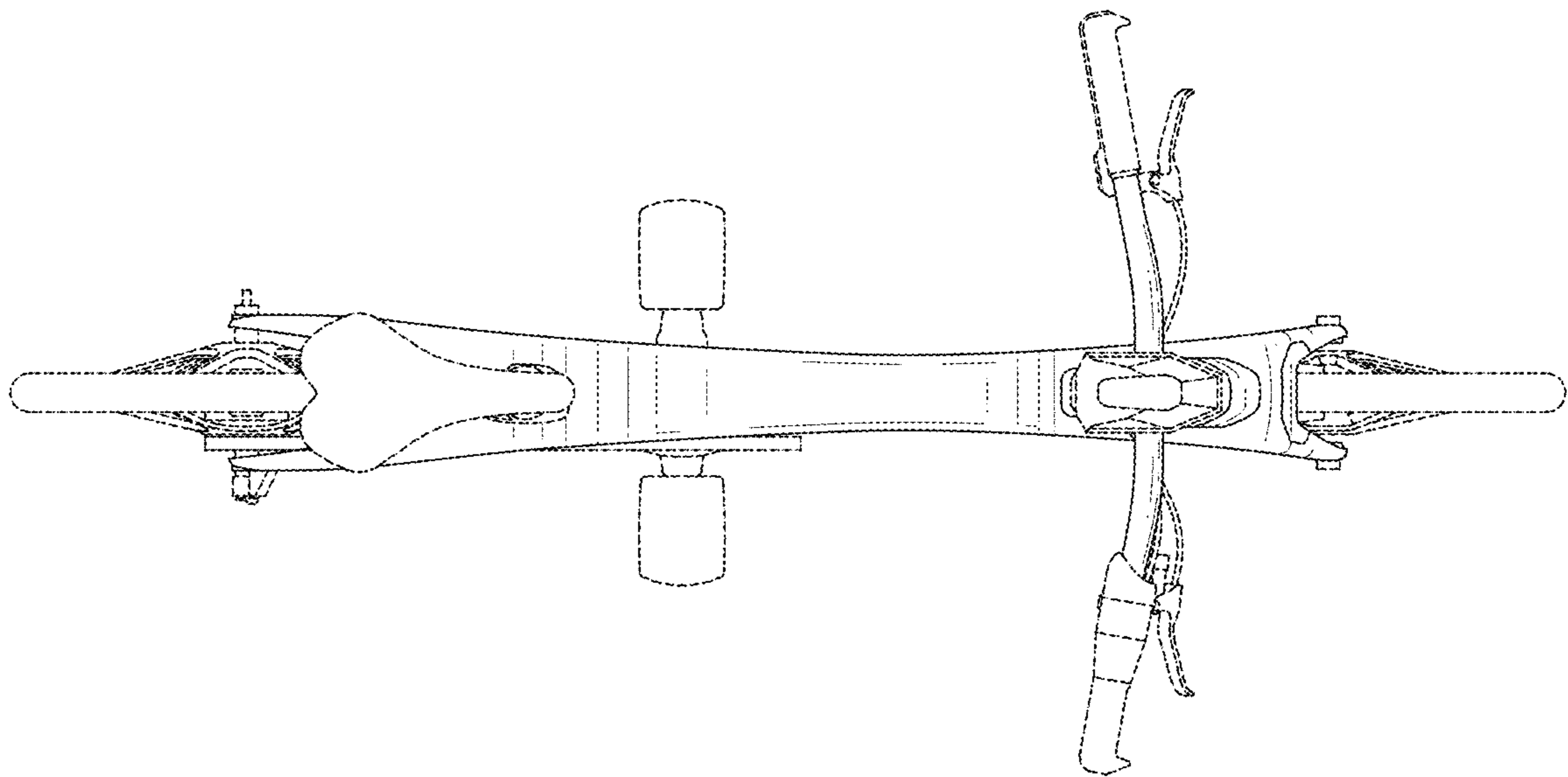


Fig-4

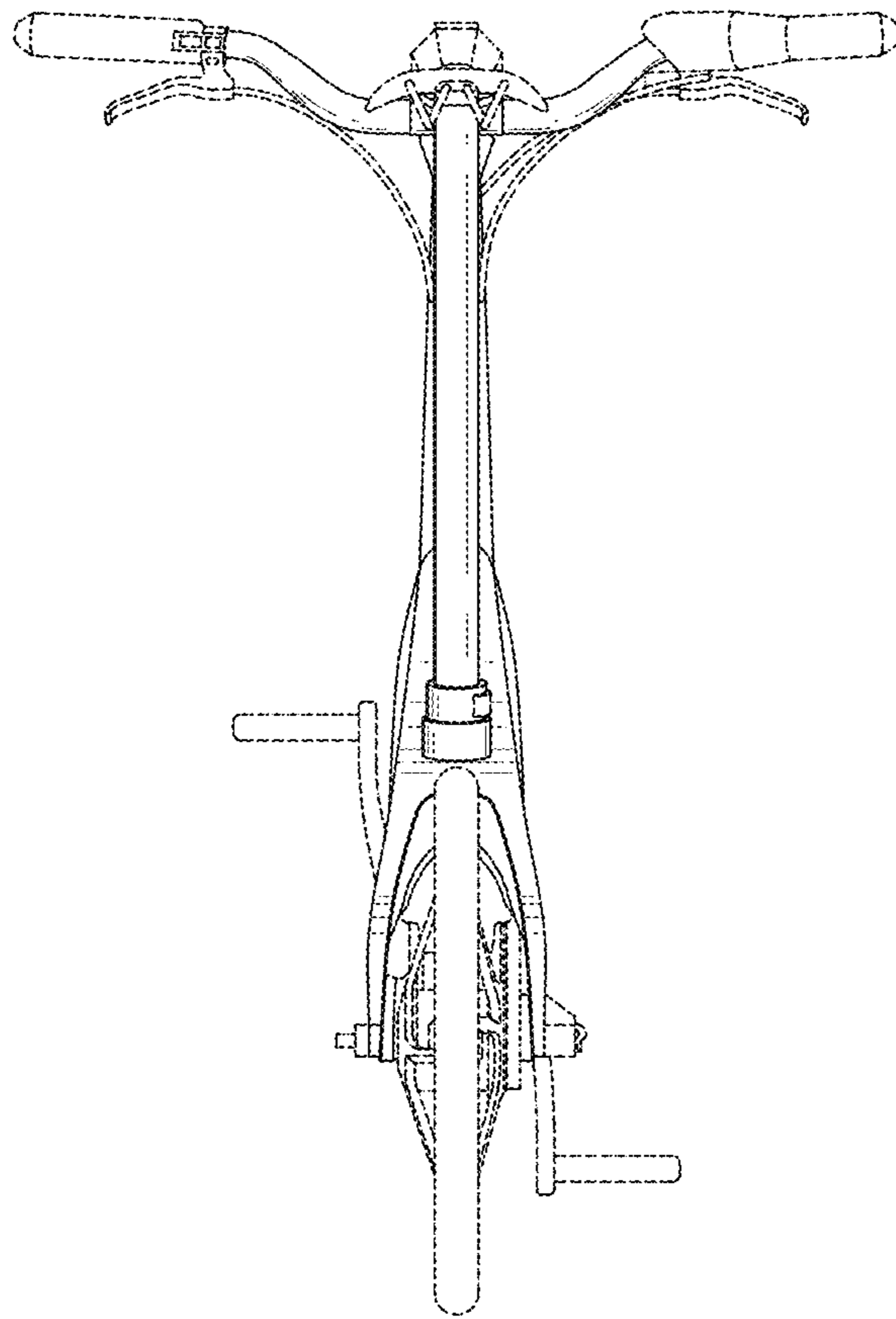


Fig-5

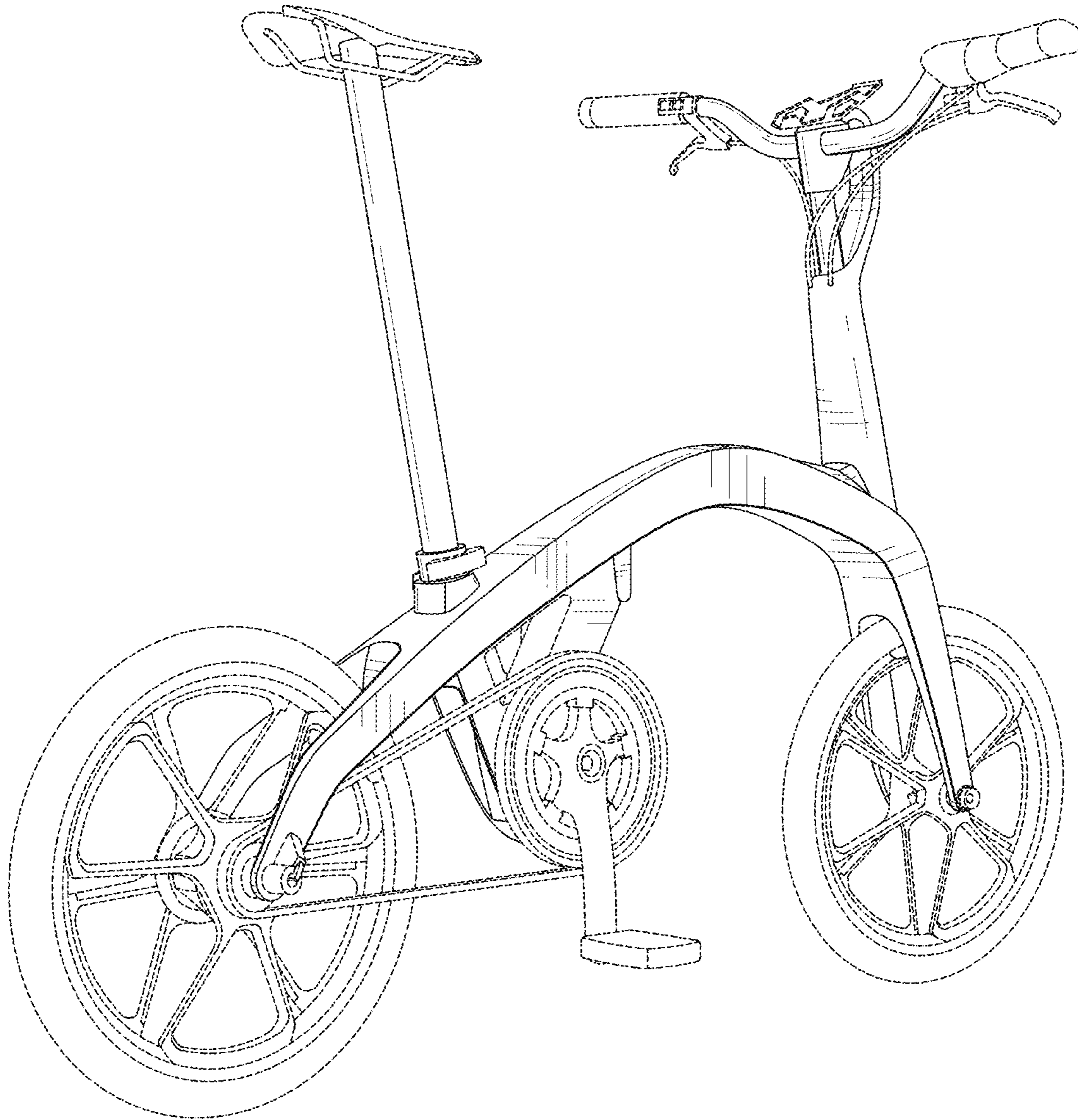


Fig-6