

US00D795745S

(12) **United States Design Patent** (10) **Patent No.:** **US D795,745 S**  
**Lim** (45) **Date of Patent:** **\*\* Aug. 29, 2017**

(54) **VEHICLE, TOY, AND/OR REPLICAS THEREOF**  
(71) Applicant: **Bayerische Motoren Werke Aktiengesellschaft, Munich (DE)**  
(72) Inventor: **Seungmo Lim, Munich (DE)**  
(73) Assignee: **Bayerische Motoren Werke Aktiengesellschaft, Munich (DE)**

D727,796 S \* 4/2015 Weil ..... D12/92  
D727,797 S \* 4/2015 Weil ..... D12/92  
D728,429 S \* 5/2015 Nissl ..... D12/92  
D738,787 S \* 9/2015 Clottu ..... D12/92  
D743,846 S \* 11/2015 Guille ..... D12/92  
D774,420 S \* 12/2016 Anscheidt ..... D12/92  
D780,635 S \* 3/2017 O'Connell ..... D12/92

(\*\*) Term: **15 Years**

(21) Appl. No.: **29/555,160**

(22) Filed: **Feb. 19, 2016**

(30) **Foreign Application Priority Data**

Aug. 20, 2015 (DE) ..... 40 2015 100 778

(51) **LOC (10) Cl.** ..... **12-08**

(52) **U.S. Cl.**  
USPC ..... **D12/92**

(58) **Field of Classification Search**  
USPC ..... D12/86, 90-92, 88; D21/421, 433, 434;  
296/181.1, 181.5  
CPC ..... B62D 35/00; B62D 25/00; B62D 25/06;  
B62D 33/00

See application file for complete search history.

(56) **References Cited**

**U.S. PATENT DOCUMENTS**

D670,203 S 11/2012 Weil  
D724,495 S \* 3/2015 Majdandzic ..... D12/92

**FOREIGN PATENT DOCUMENTS**

EM 001924754-0001 11/2011

\* cited by examiner

*Primary Examiner* — Melody N Brown

(74) *Attorney, Agent, or Firm* — Crowell & Moring LLP

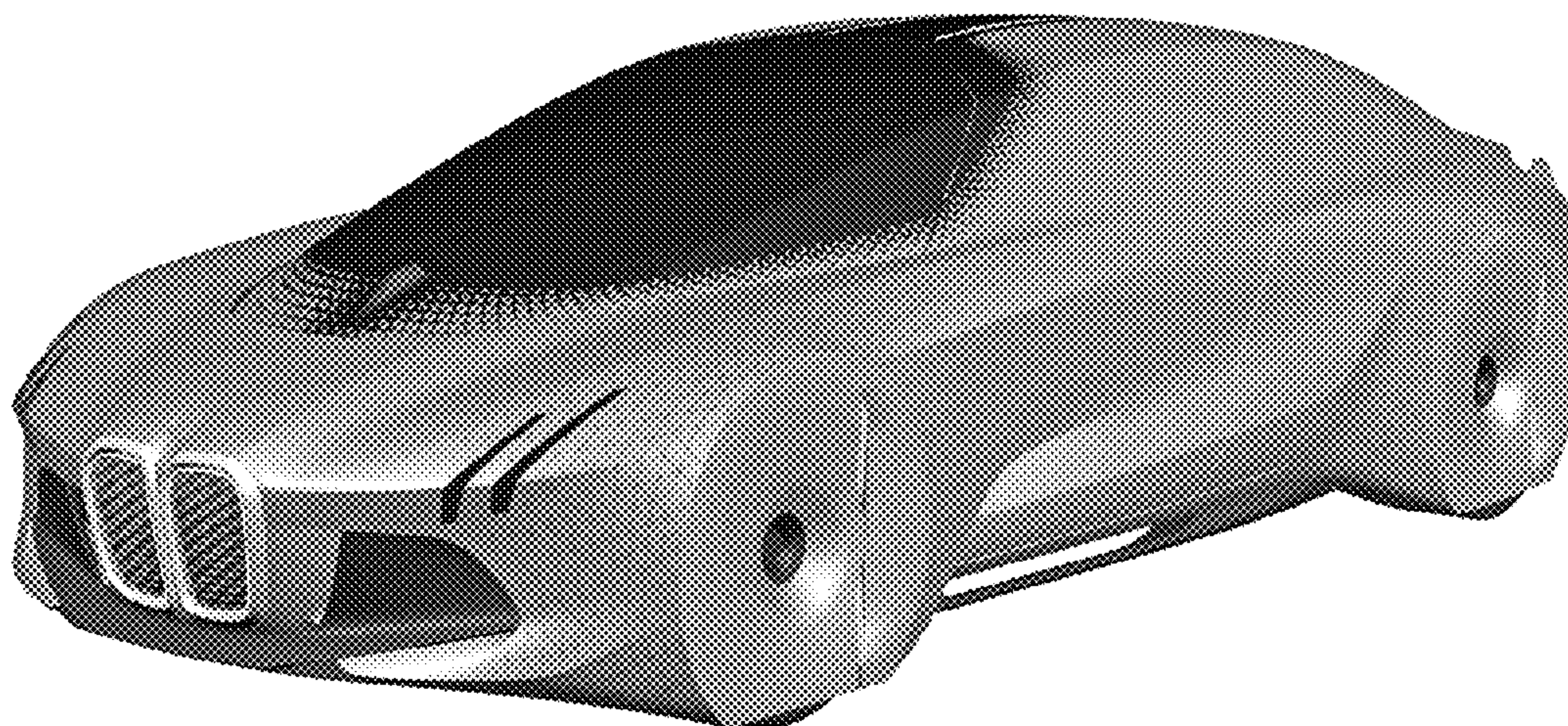
(57) **CLAIM**

The ornamental design for a vehicle, toy, and/or replicas thereof, as shown and described.

**DESCRIPTION**

FIG. 1 is a left, front perspective view of a vehicle, toy, and/or replicas thereof according to the design;  
FIG. 2 is a left side view thereof;  
FIG. 3 is a right side view thereof;  
FIG. 4 is a left, rear perspective view thereof;  
FIG. 5 is a front view thereof;  
FIG. 6 is a rear view thereof; and,  
FIG. 7 is a top view thereof.

**1 Claim, 7 Drawing Sheets**





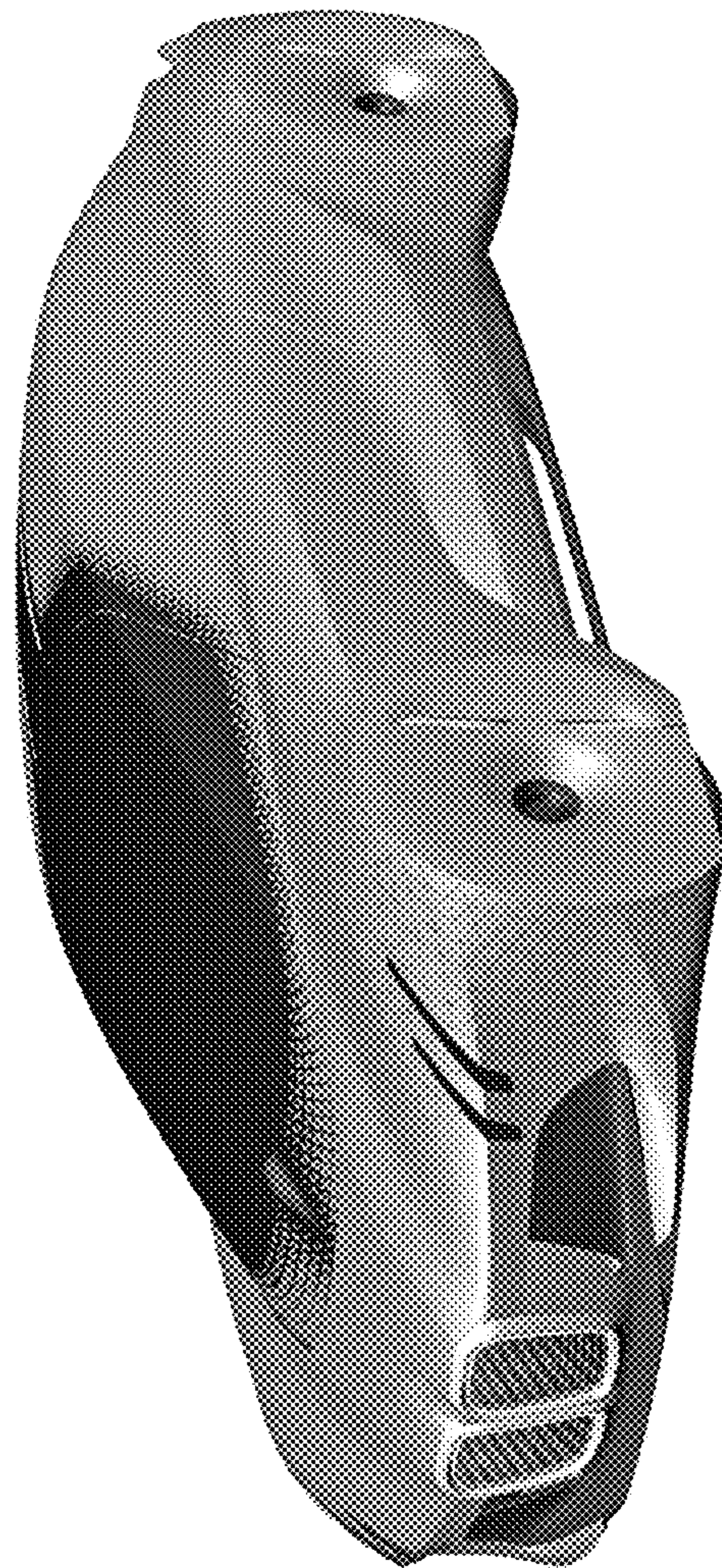


Fig. 1

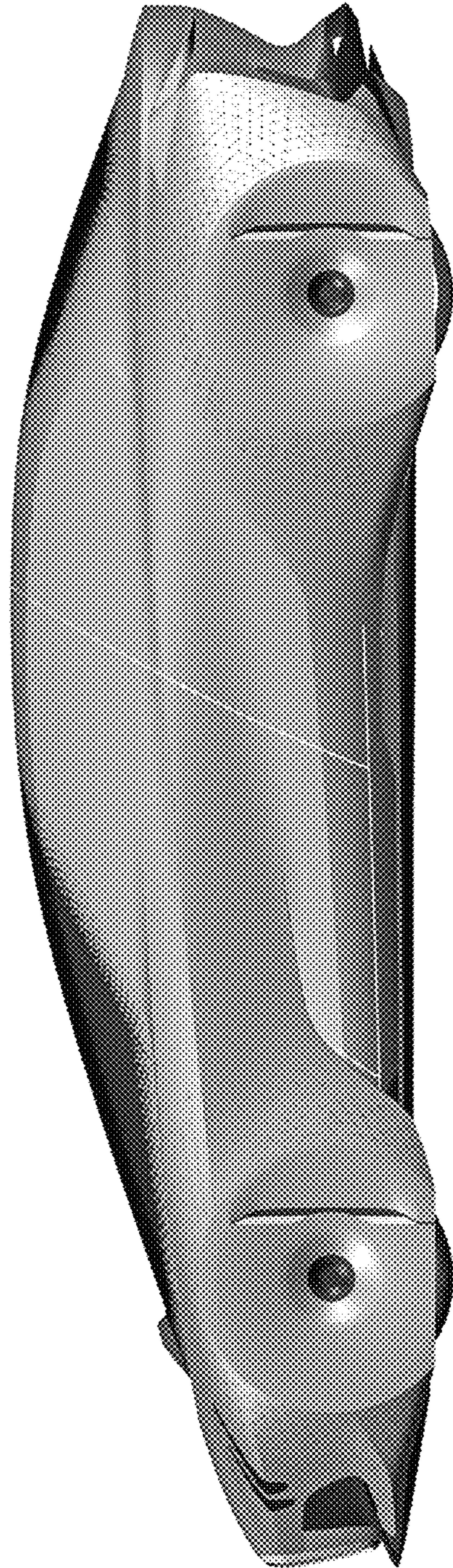


Fig. 2



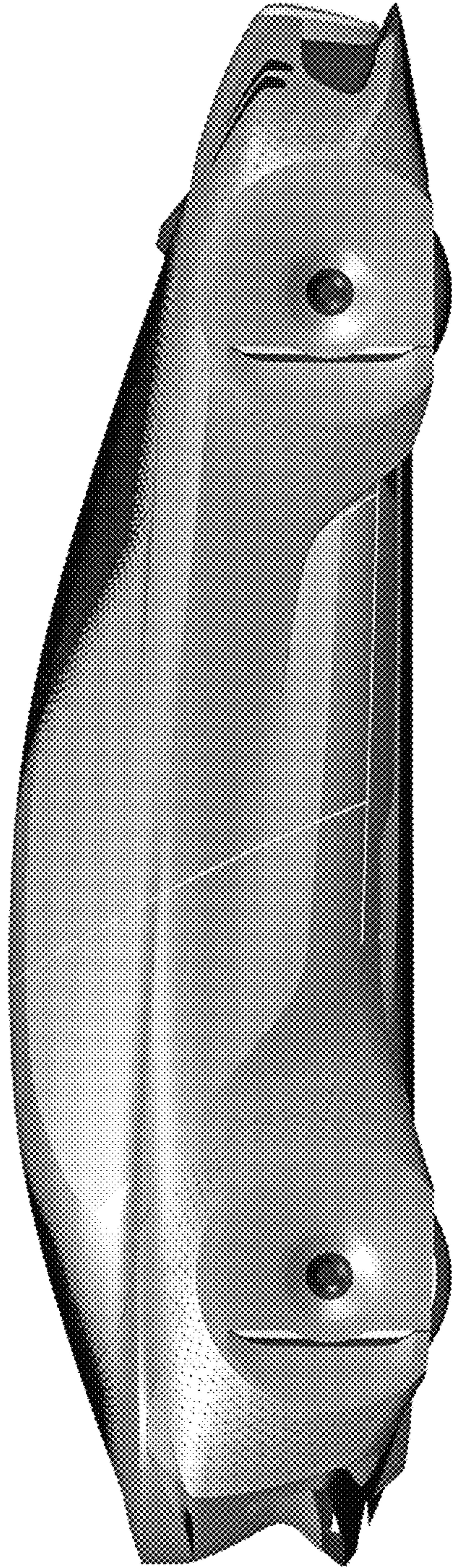


Fig. 3



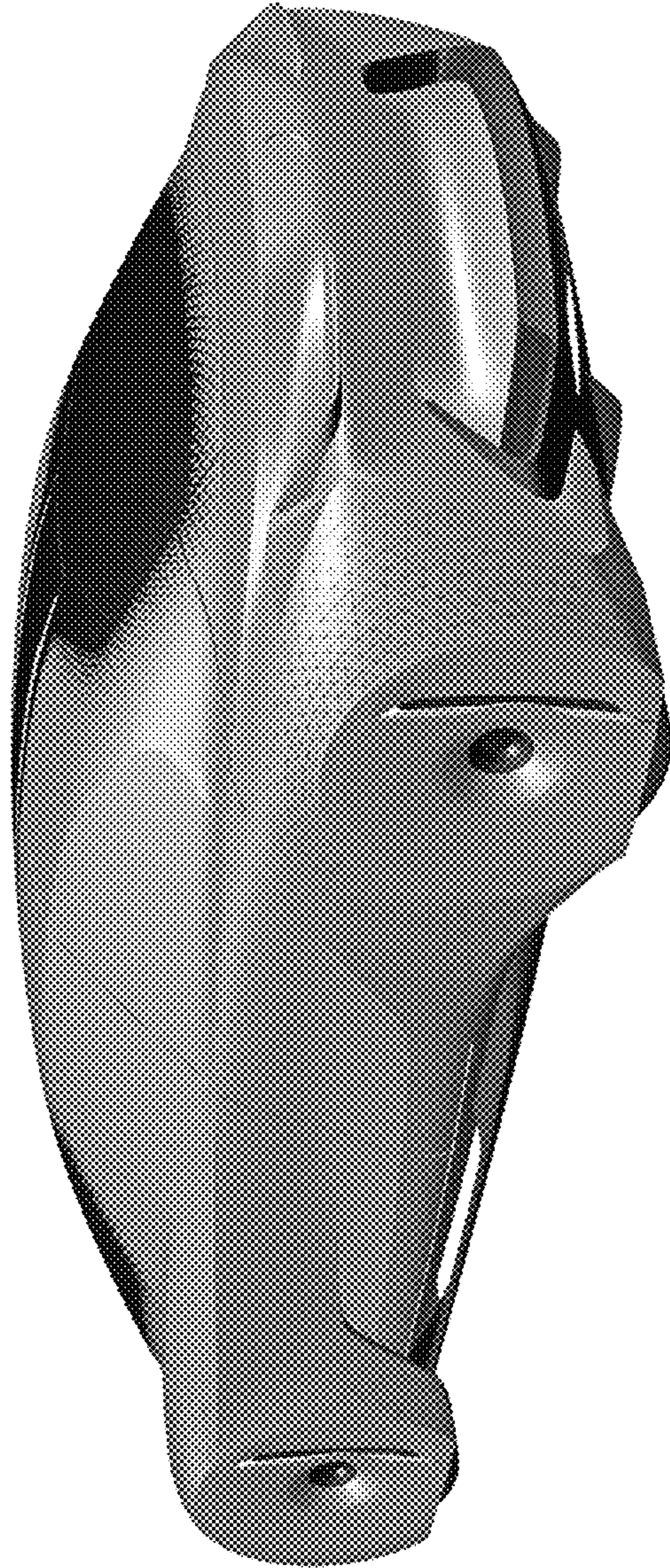


Fig. 4

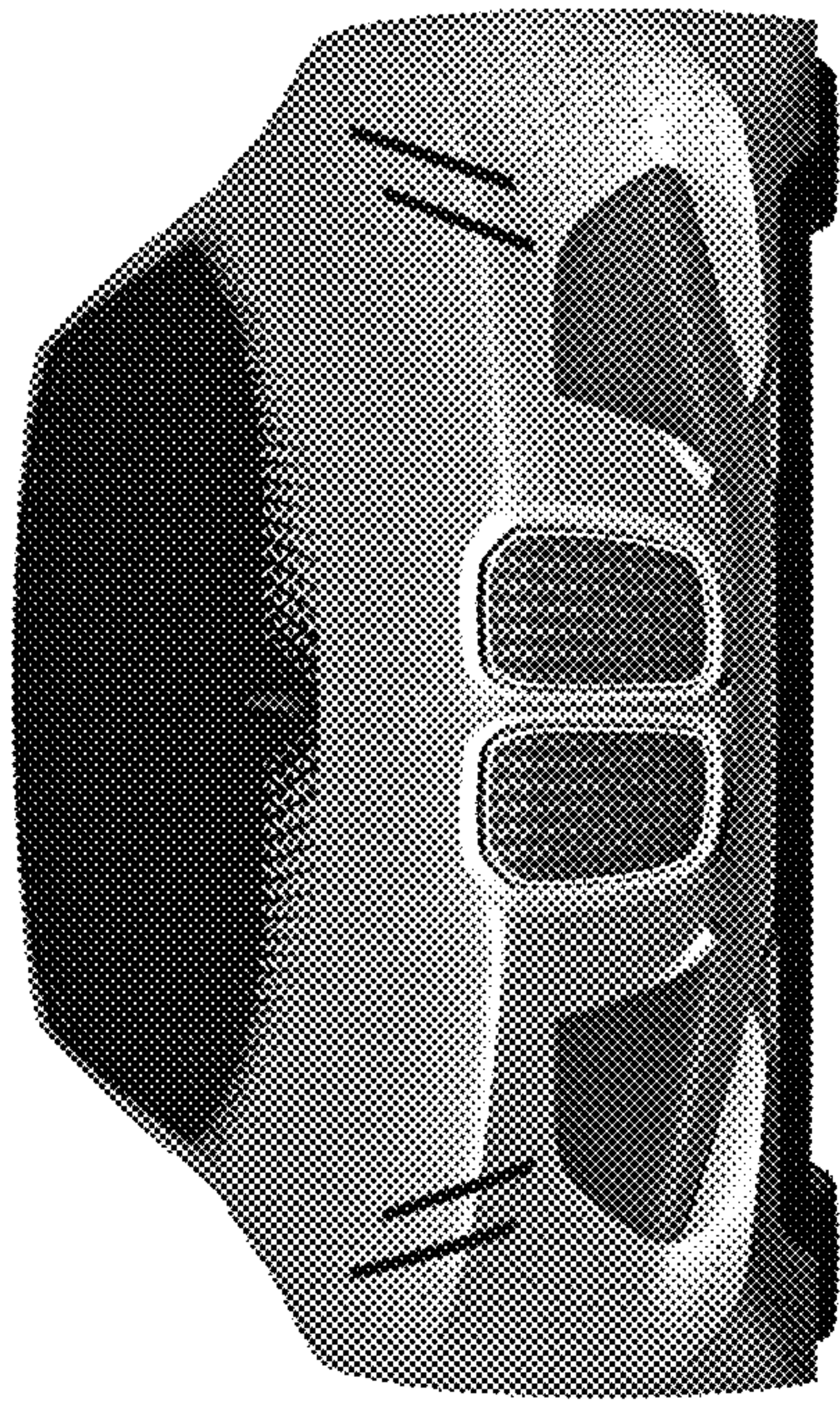


Fig. 5





Fig. 6

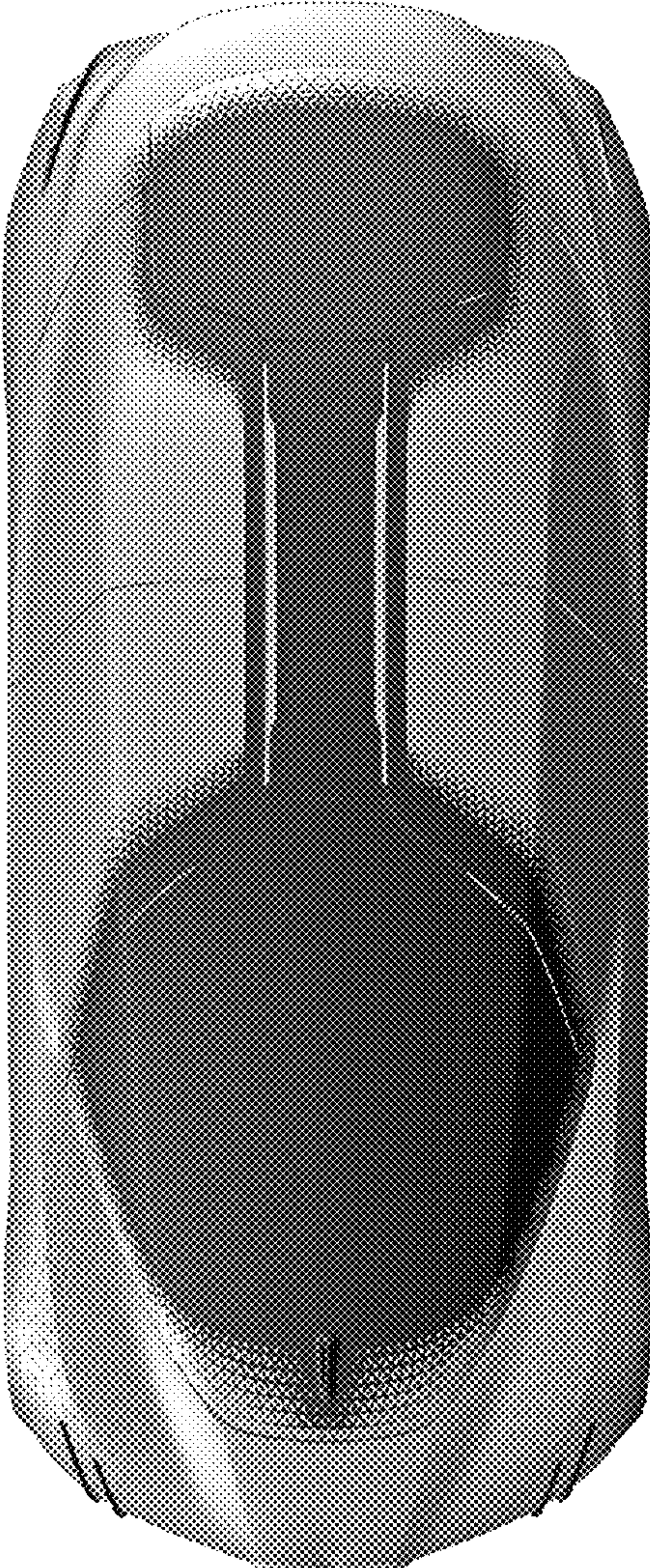


Fig. 7