



US00D795742S

(12) **United States Design Patent**
Li

(10) **Patent No.:** **US D795,742 S**

(45) **Date of Patent:** **** *Aug. 29, 2017**

(54) **DRONE**

(71) Applicant: **ZEROTECH (SHENZHEN)
INTELLIGENCE ROBOT CO.,
LTD.**, Shenzhen (CN)

(72) Inventor: **Wenfeng Li**, Beijing (CN)

(73) Assignee: **ZEROTECH (SHENZHEN)
INTELLIGENCE ROBOT CO.,
LTD.**, Shenzhen (CN)

(*) Notice: This patent is subject to a terminal disclaimer.

(**) Term: **15 Years**

(21) Appl. No.: **29/569,818**

(22) Filed: **Jun. 30, 2016**

(30) **Foreign Application Priority Data**

Apr. 27, 2016 (CN) 2016 3 0148216

(51) **LOC (10) Cl.** **12-07**

(52) **U.S. Cl.**
USPC **D12/16.1**

(58) **Field of Classification Search**
USPC D12/16.1, 319–345; D21/436, 441–444,
D21/446–453
CPC B64C 1/062; B64C 39/024; B64C 27/08;
B64C 29/00; B64C 39/00; B64C 23/00
See application file for complete search history.

(56) **References Cited**

U.S. PATENT DOCUMENTS

D465,196 S * 11/2002 Dammar D12/328
7,789,342 B2 * 9/2010 Yoeli B60V 1/06
244/12.3
7,857,253 B2 * 12/2010 Yoeli B64C 1/1415
244/12.3

(Continued)

OTHER PUBLICATIONS

Zerotech Dobby Pocket Selfie Drone 13MP 4K Camera GPS Glonass Positioning RC Quadcopt on RCgroups.com dated May 31, 2016. found online [Dec. 12, 2016] https://www.rcgroups.com/forums/showthread.php?2674395-ZEROTECH-DOBBY-Pocket-Selfie-Drone-13MP-4K-Camera-GPS-Glonass-Positioning-RC-Quadcopt.*

Primary Examiner — Robert M Spear

Assistant Examiner — Marissa J Cash

(74) *Attorney, Agent, or Firm* — Scully, Scott, Murphy & Presser, P.C.

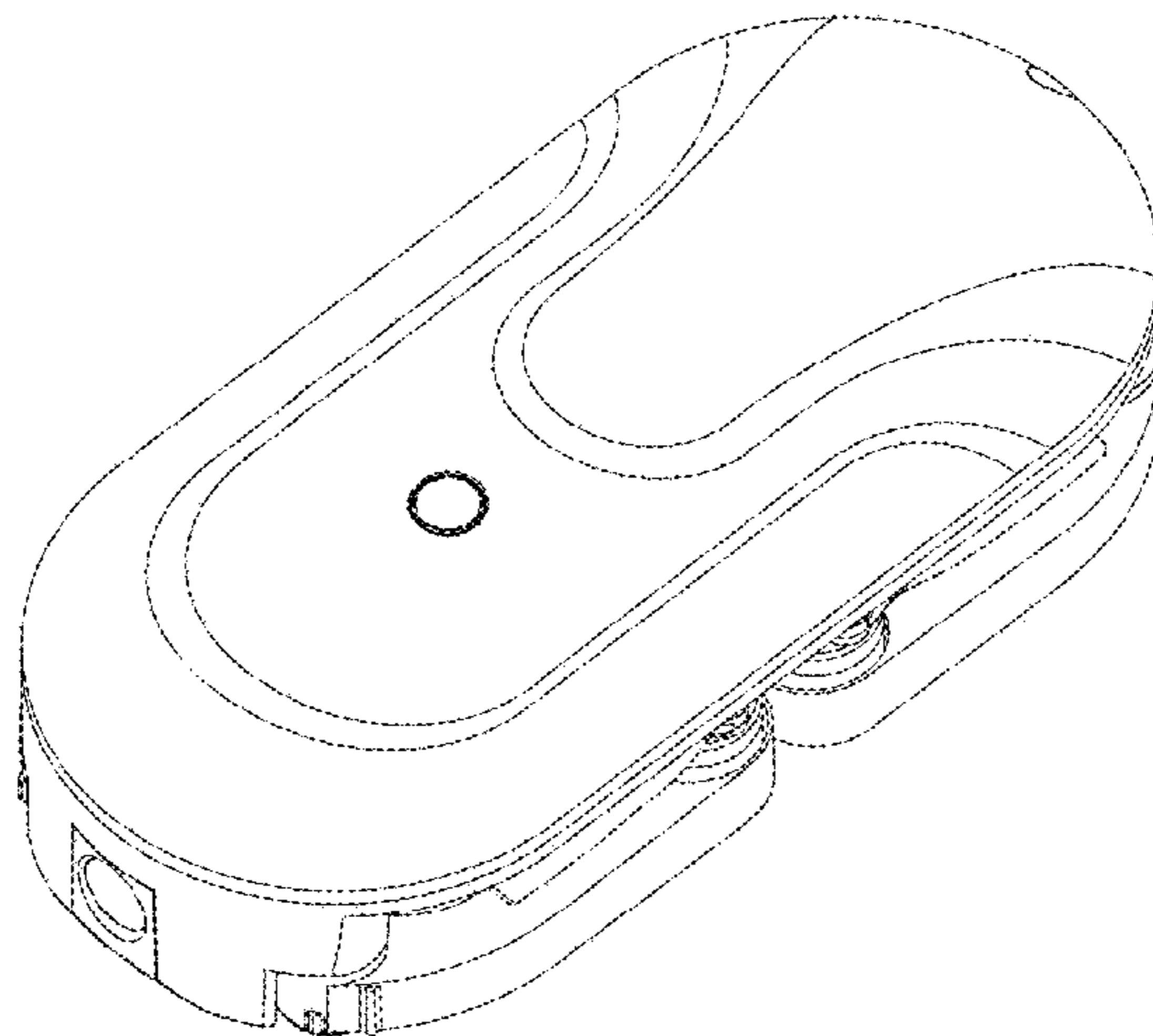
(57) **CLAIM**

The ornamental design for a drone, as shown and described.

DESCRIPTION

FIG. 1 is a top perspective view of a drone in a closed position, showing my new design; FIG. 2 is a bottom perspective view of FIG. 1; FIG. 3 is a top plan view of FIG. 1; FIG. 4 is a bottom plan view of FIG. 1; FIG. 5 is a right side elevation view of FIG. 1; FIG. 6 is a left side elevation view of FIG. 1; FIG. 7 is a rear elevation view of FIG. 1; FIG. 8 is a front elevation view of FIG. 1; FIG. 9 is an exploded bottom perspective view of FIG. 1; FIG. 10 is a top perspective view of the drone in an open position; FIG. 11 is a bottom perspective view of FIG. 10; FIG. 12 is a top plan view of FIG. 10; FIG. 13 is a bottom plan view of FIG. 10; FIG. 14 is a right side elevation view of FIG. 10; FIG. 15 is a left side elevation view of FIG. 10; FIG. 16 is a rear elevation view of FIG. 10; FIG. 17 is a front elevation view of FIG. 10; and, FIG. 18 is an exploded bottom perspective view of FIG. 10. The broken lines illustrate portions of the drone that form no part of the claimed design.

1 Claim, 11 Drawing Sheets



(56)

References Cited

U.S. PATENT DOCUMENTS

8,596,570 B1 * 12/2013 Carambat B64C 11/006
244/12.1
D710,454 S * 8/2014 Barajas D12/16.1
8,876,038 B2 * 11/2014 Yoeli B64C 19/00
244/23 A
9,004,396 B1 * 4/2015 Colin B64D 47/08
244/17.23
D747,775 S * 1/2016 Colin D12/16.1
D749,490 S * 2/2016 Klick D12/319
D751,491 S * 3/2016 Chen D12/16.1
2008/0283673 A1 * 11/2008 Yoeli B60V 1/043
244/23 A
2010/0051740 A1 * 3/2010 Yoeli B64C 29/0033
244/12.1
2010/0051753 A1 * 3/2010 Yoeli B64C 29/0025
244/23 A

* cited by examiner

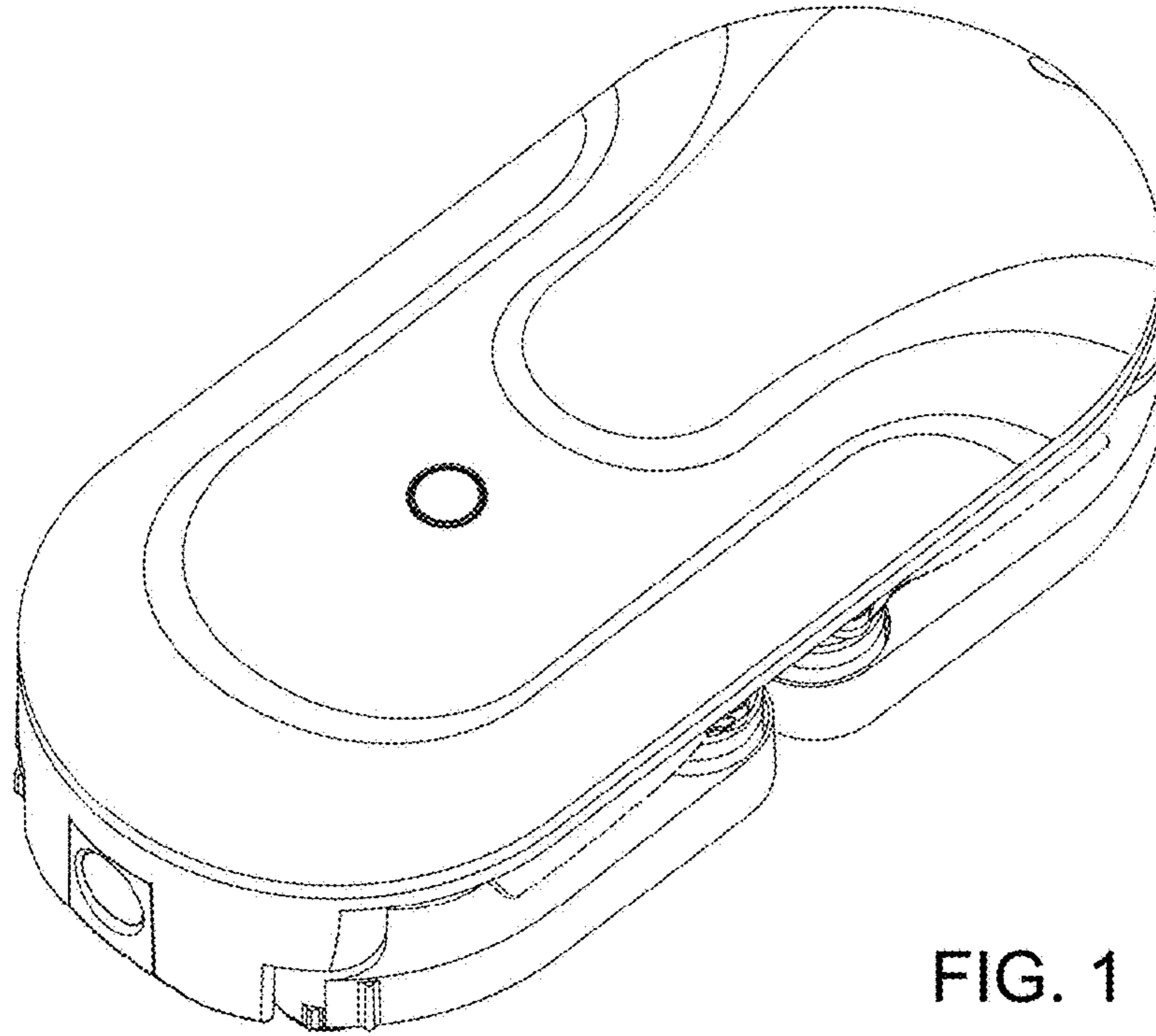


FIG. 1

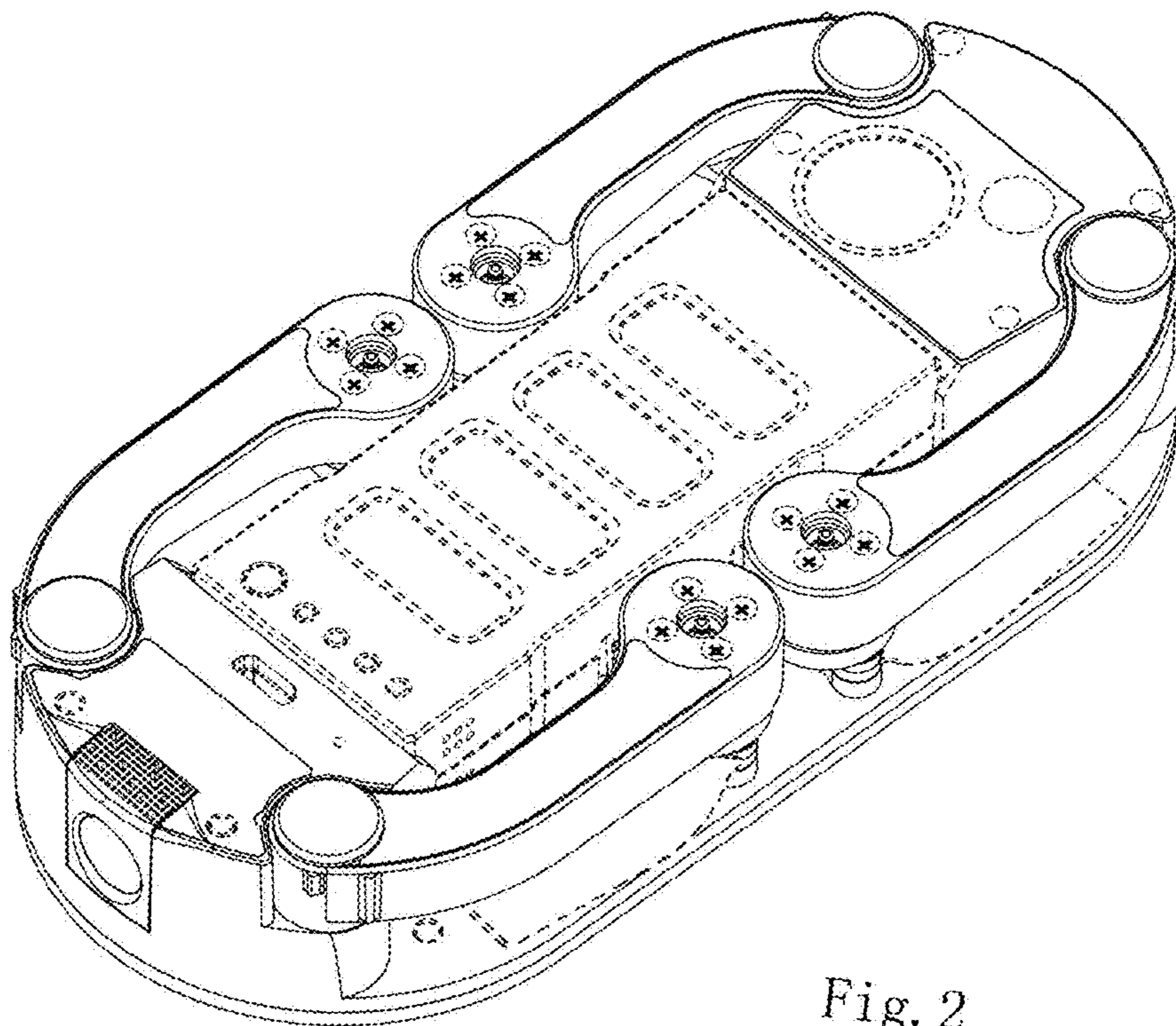


Fig. 2

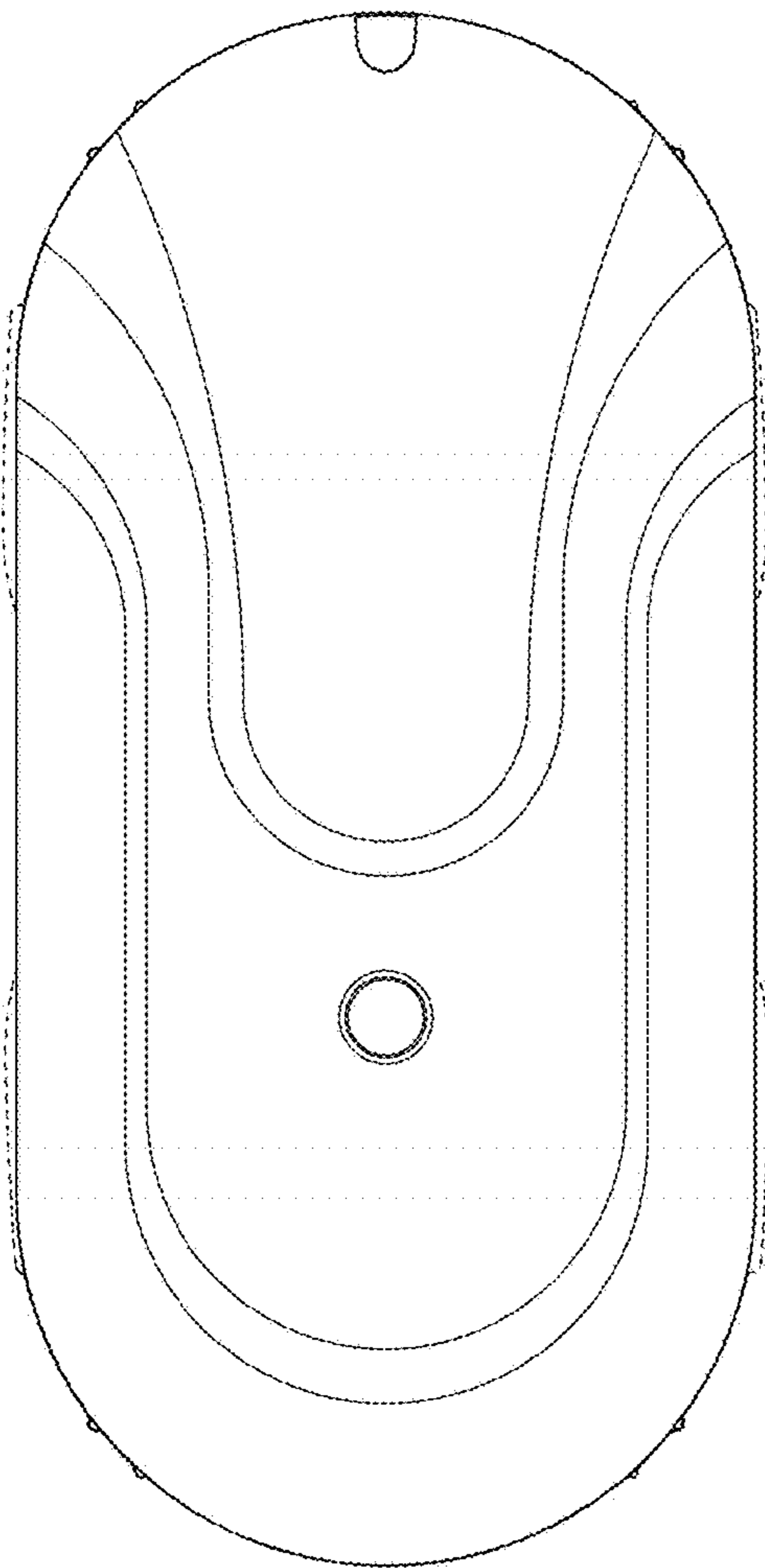


Fig. 3

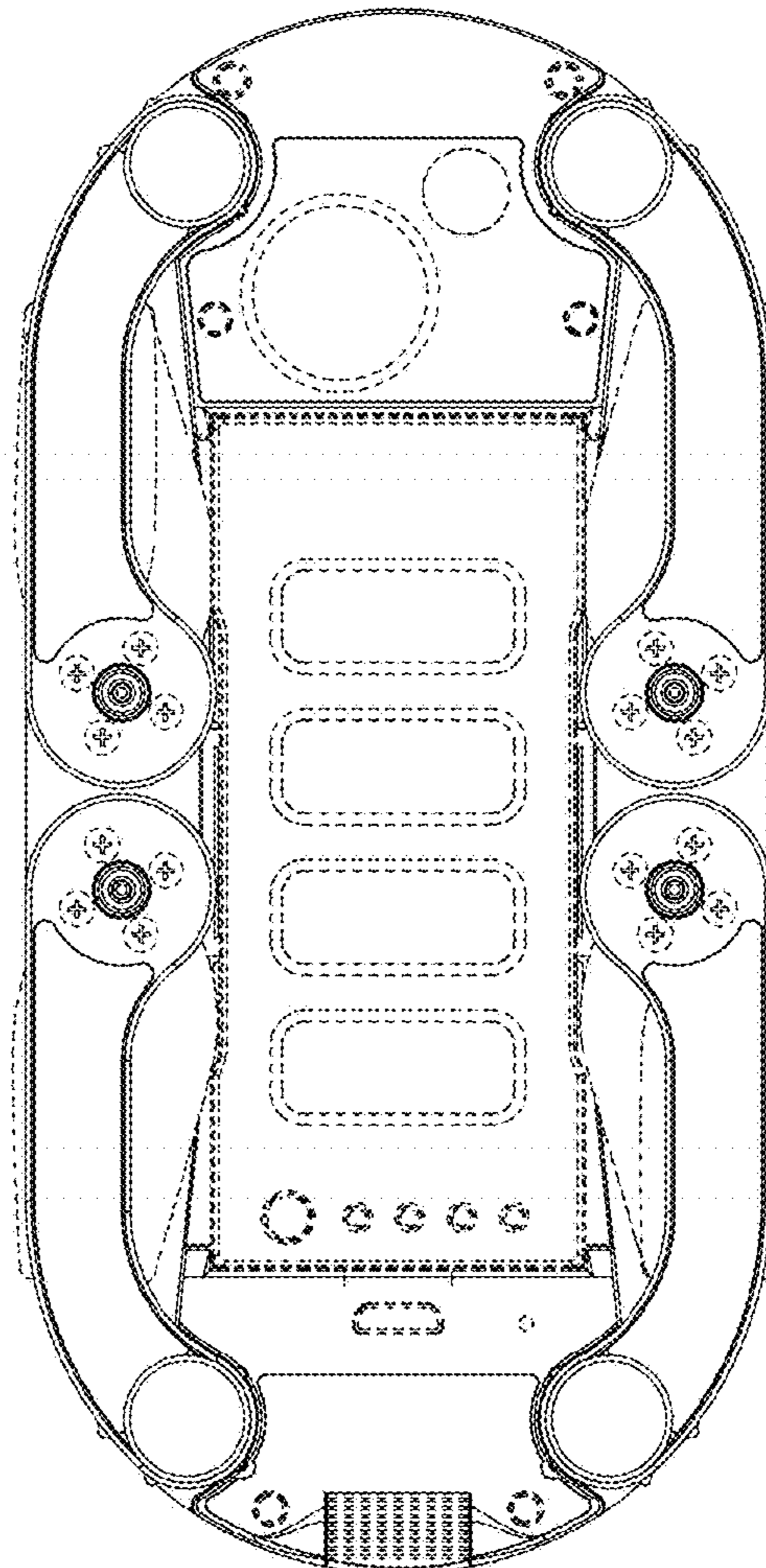


Fig. 4

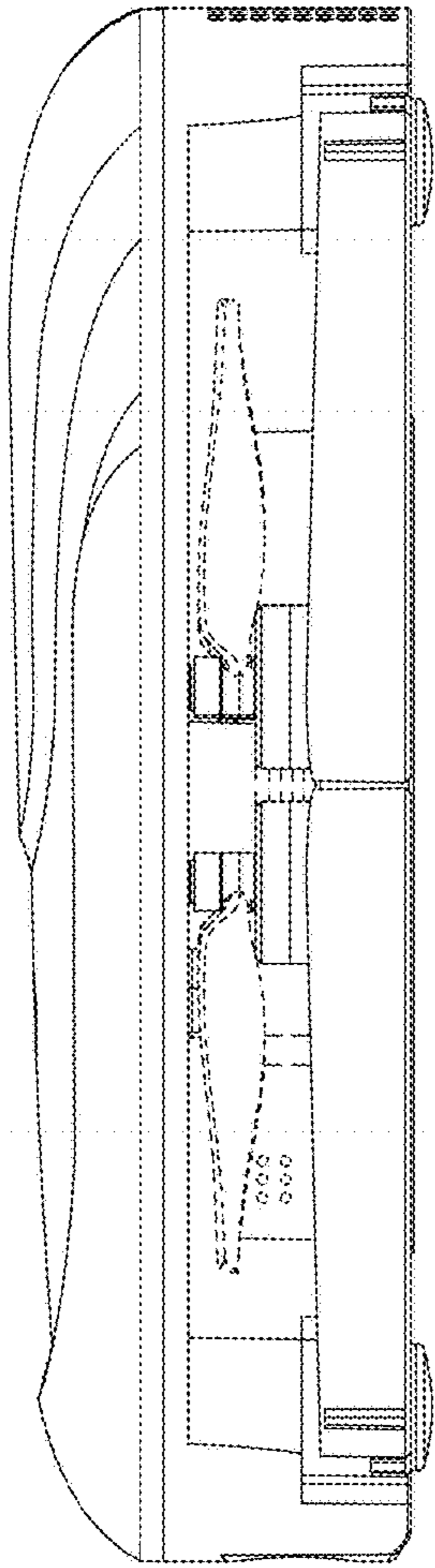


Fig. 5

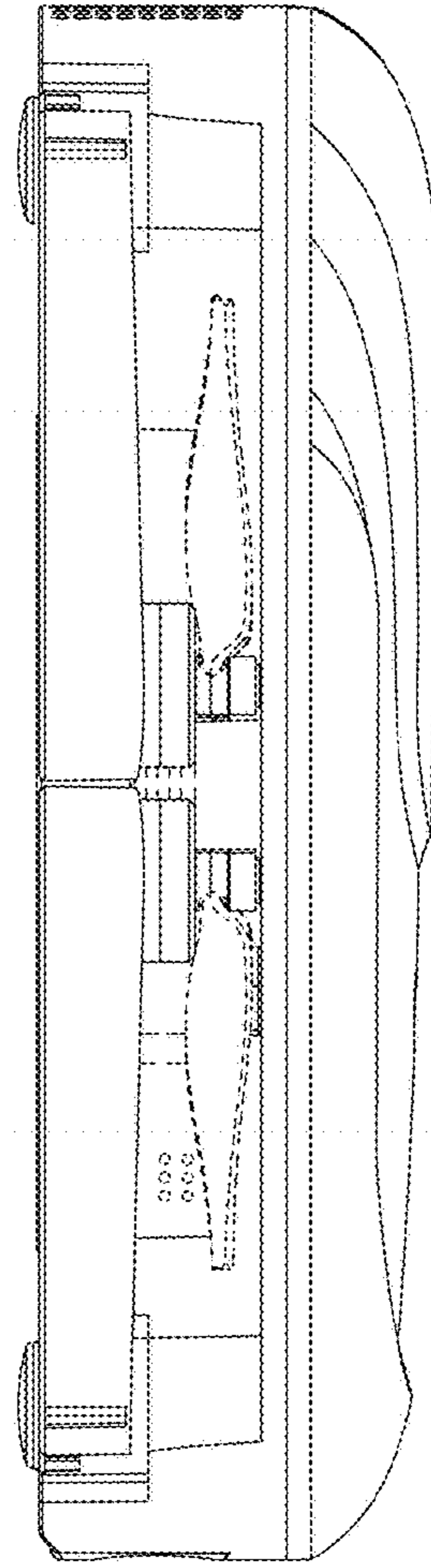


Fig. 6

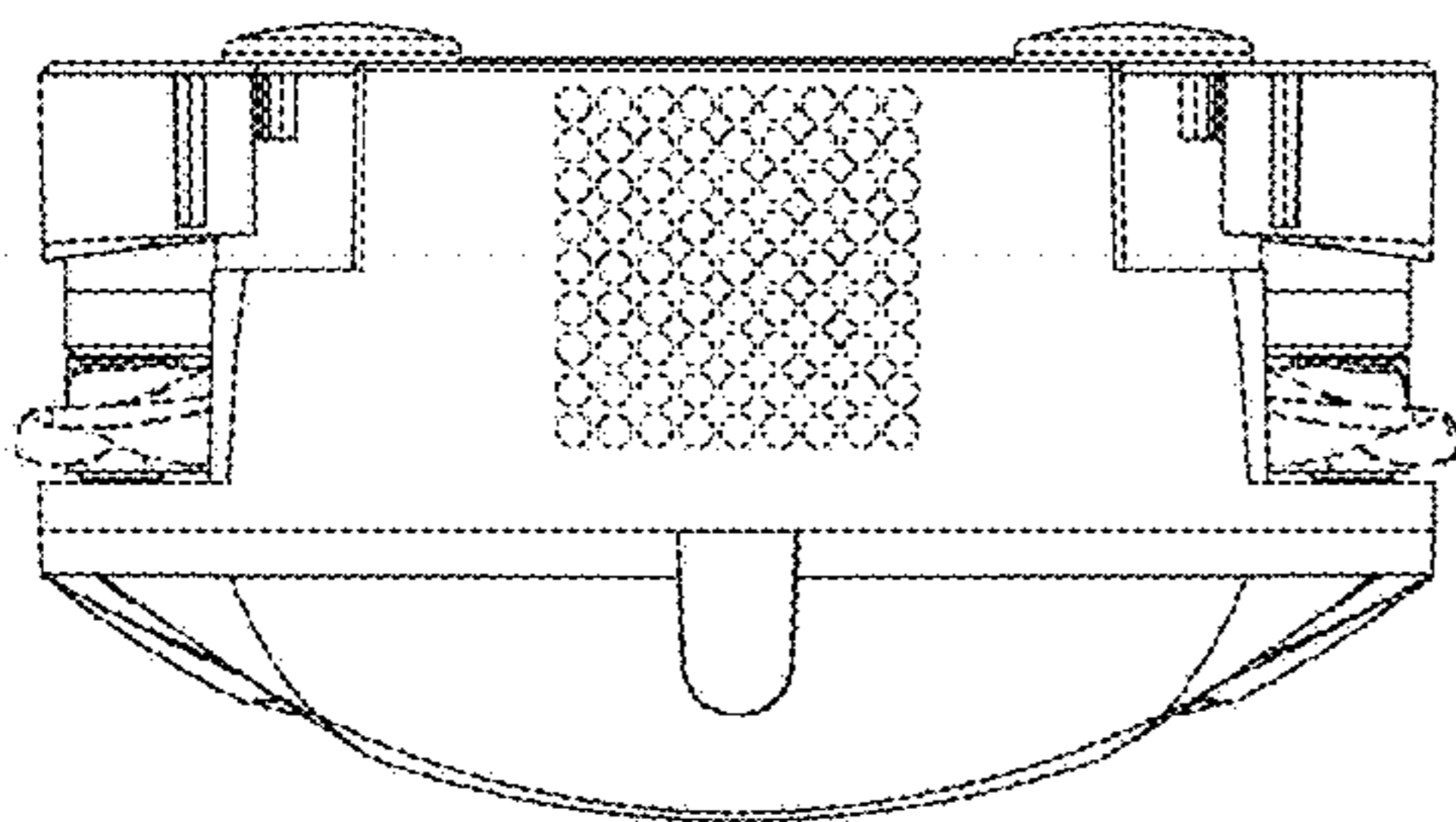


Fig. 7

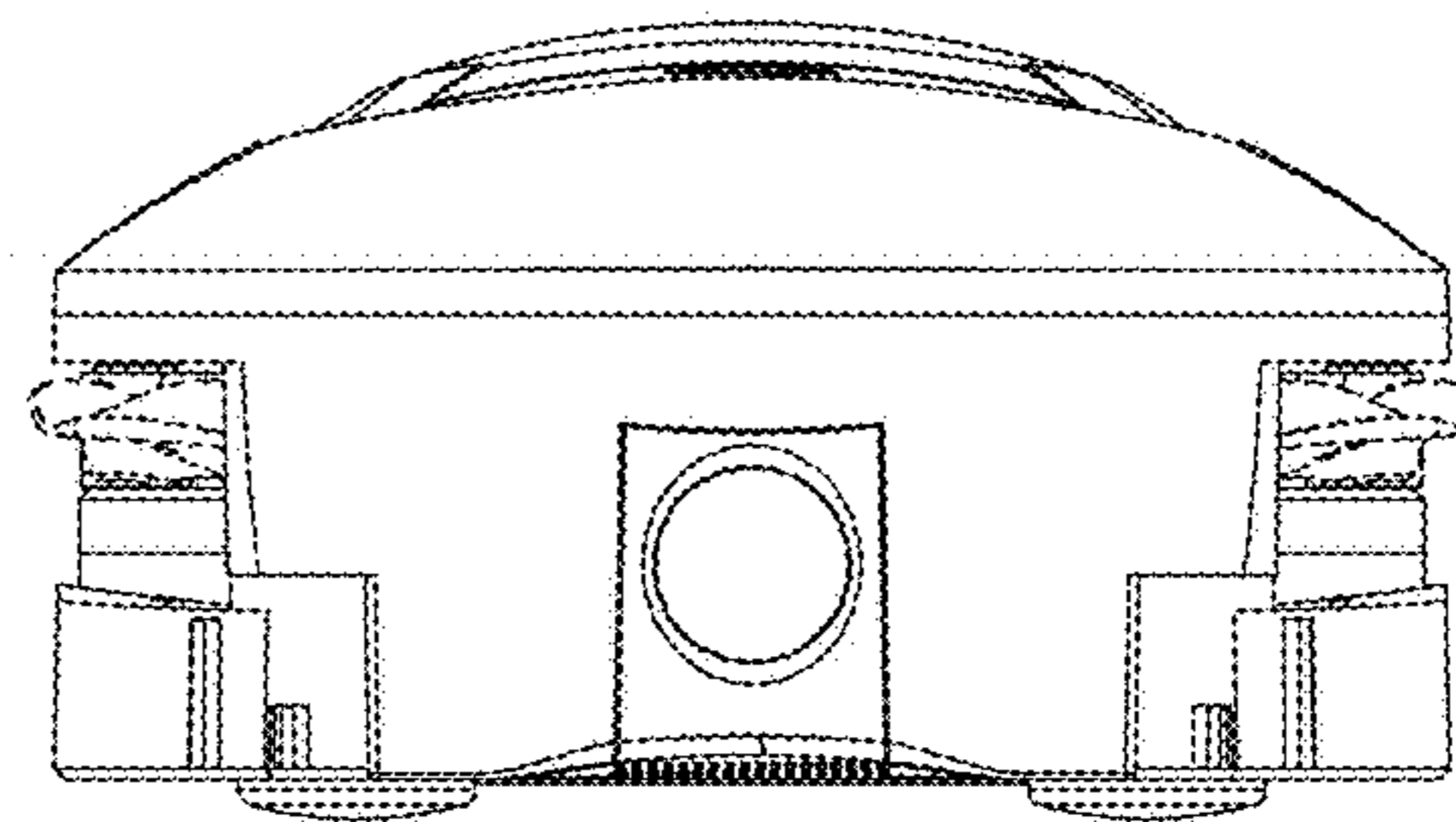


Fig. 8

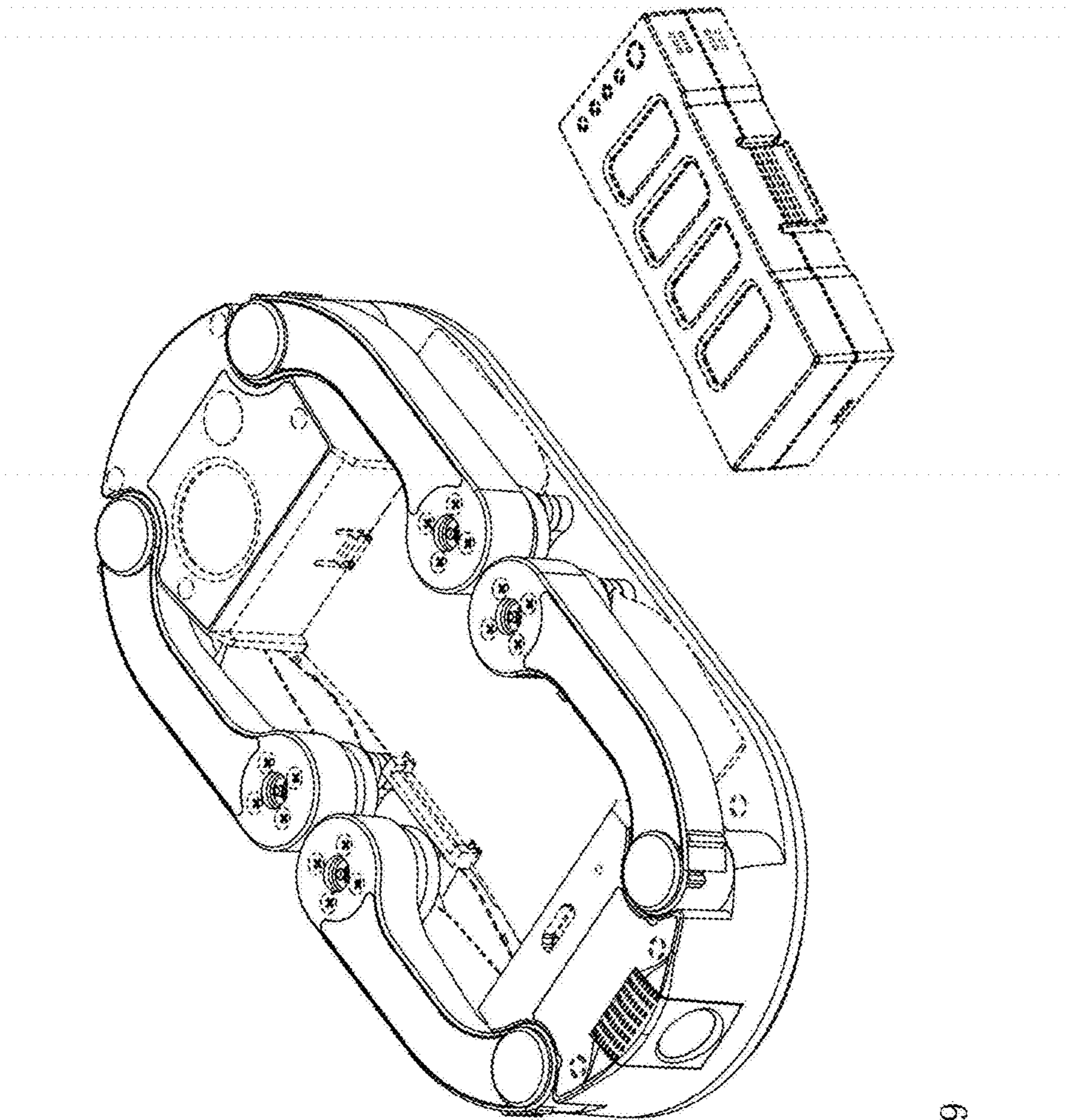


Fig. 9

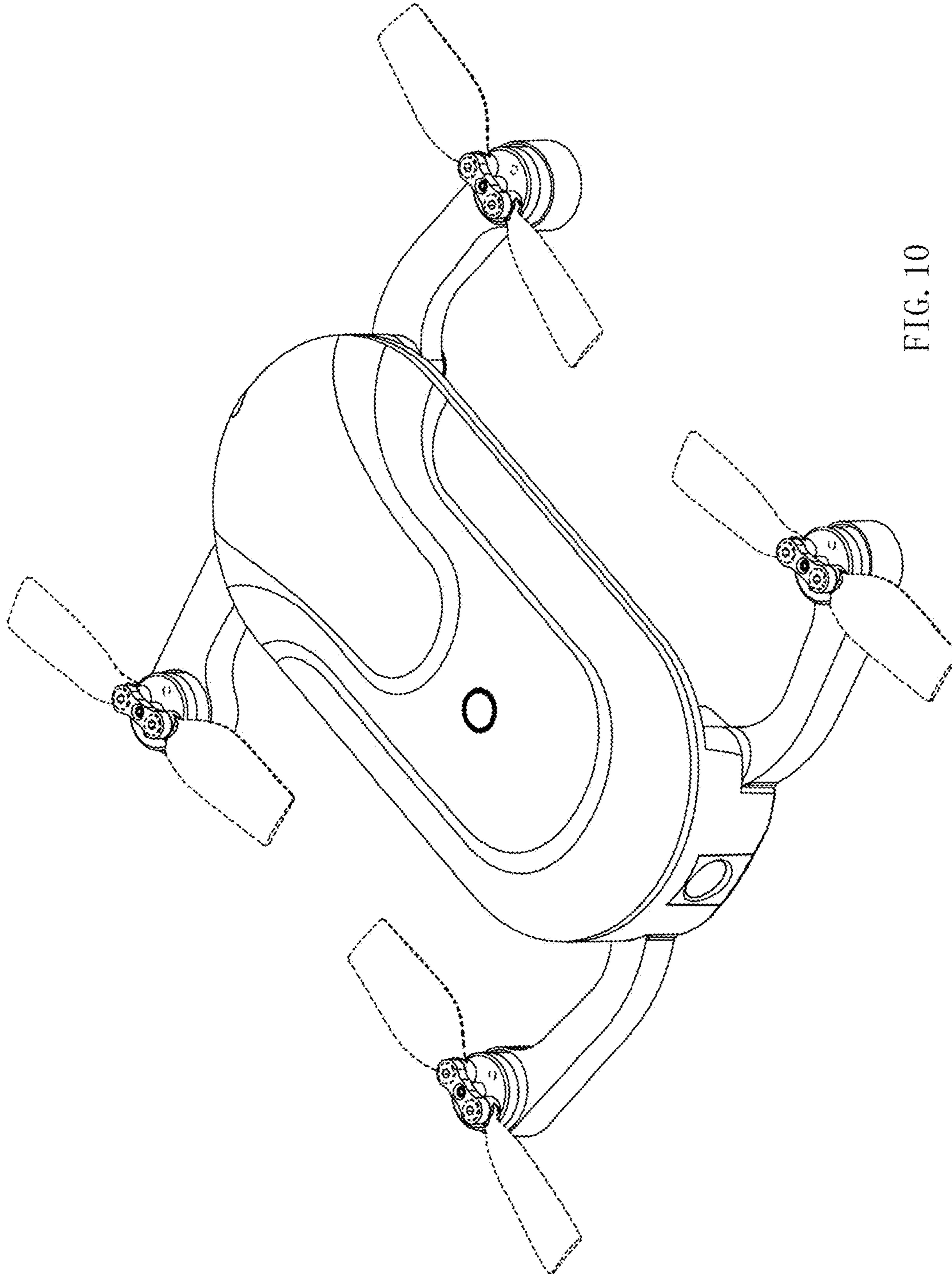


FIG. 10

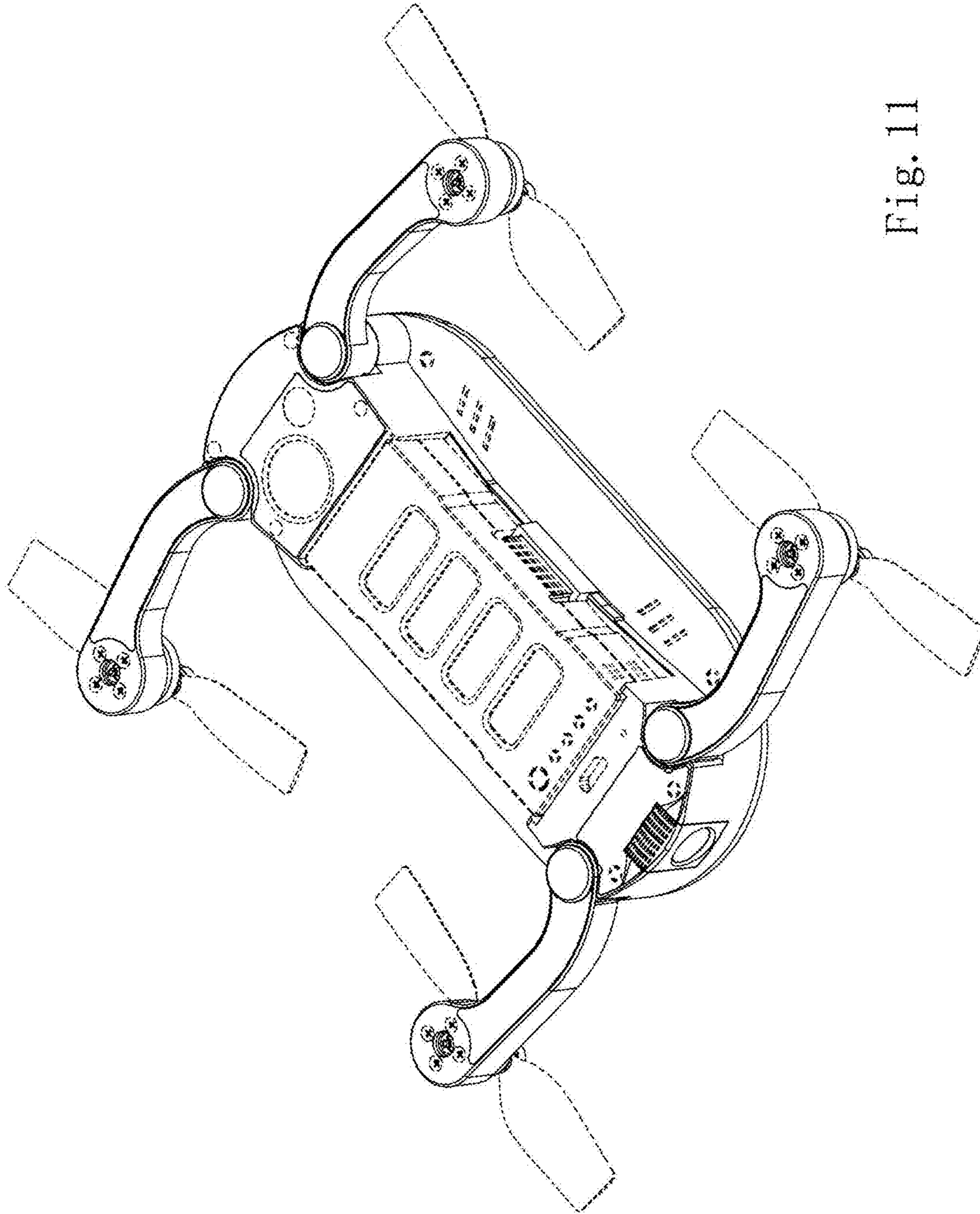


Fig. 11

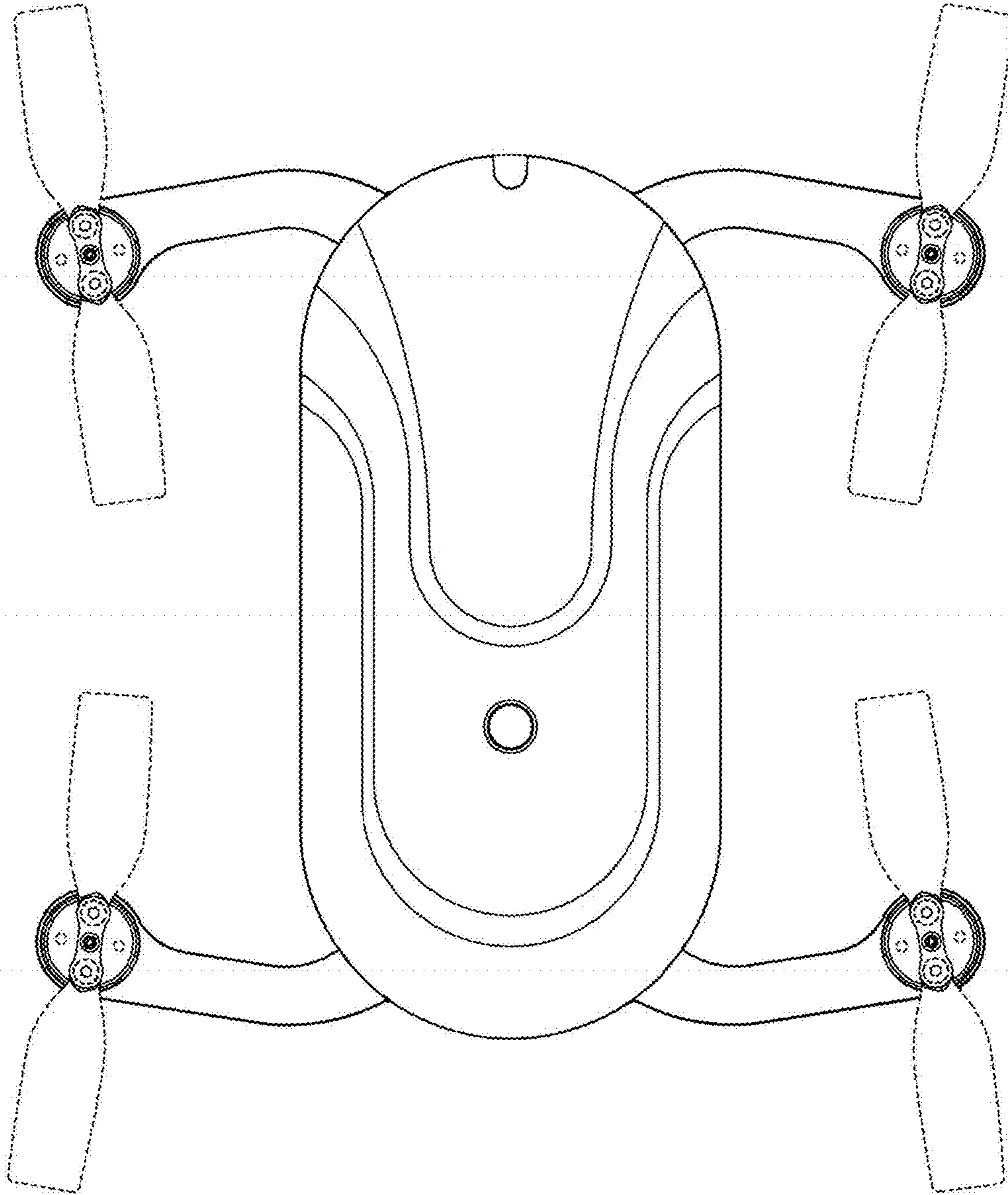


FIG. 12

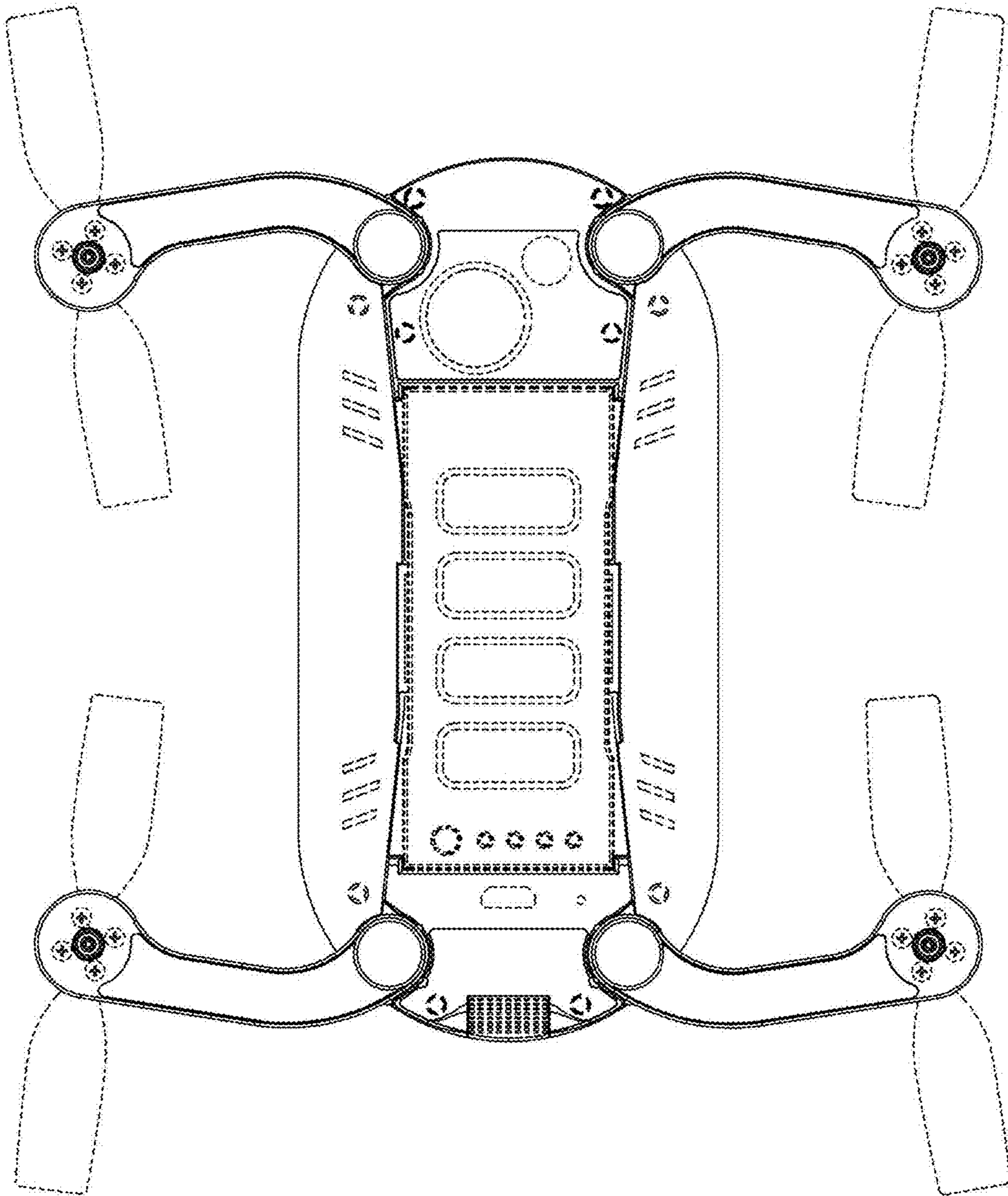


Fig. 13

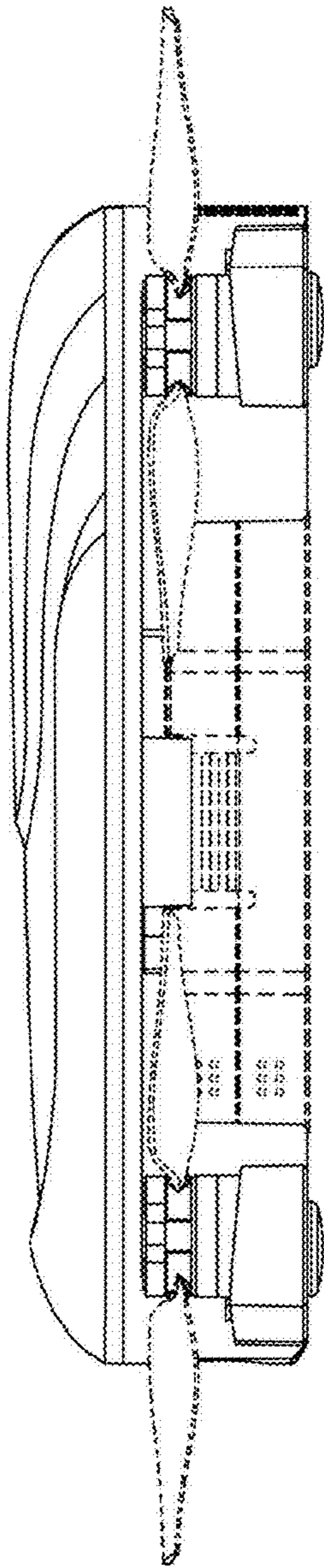


FIG. 14

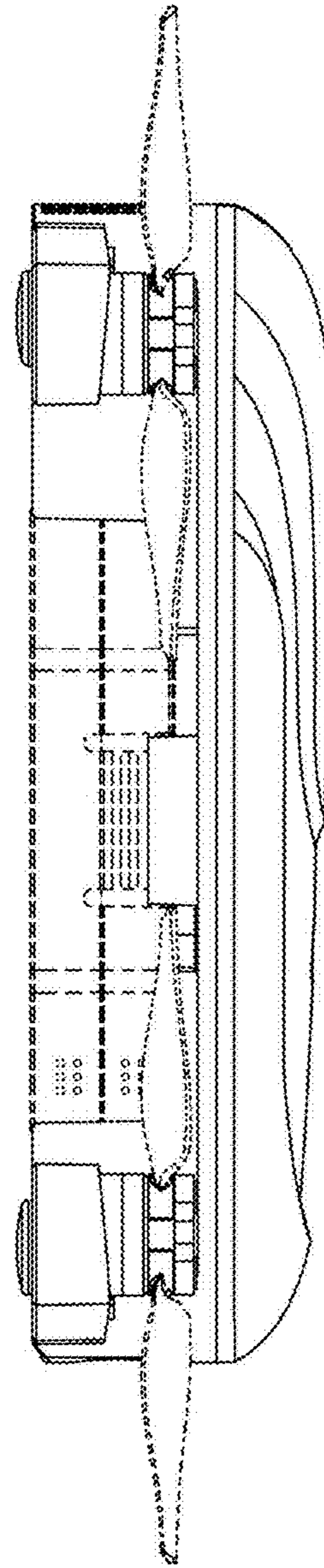


FIG. 15

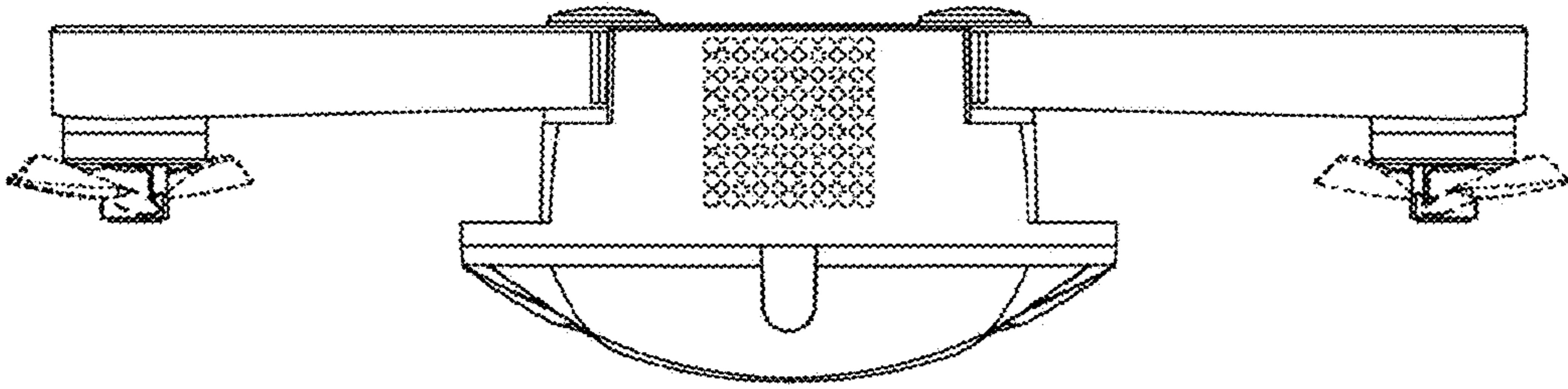


FIG. 16

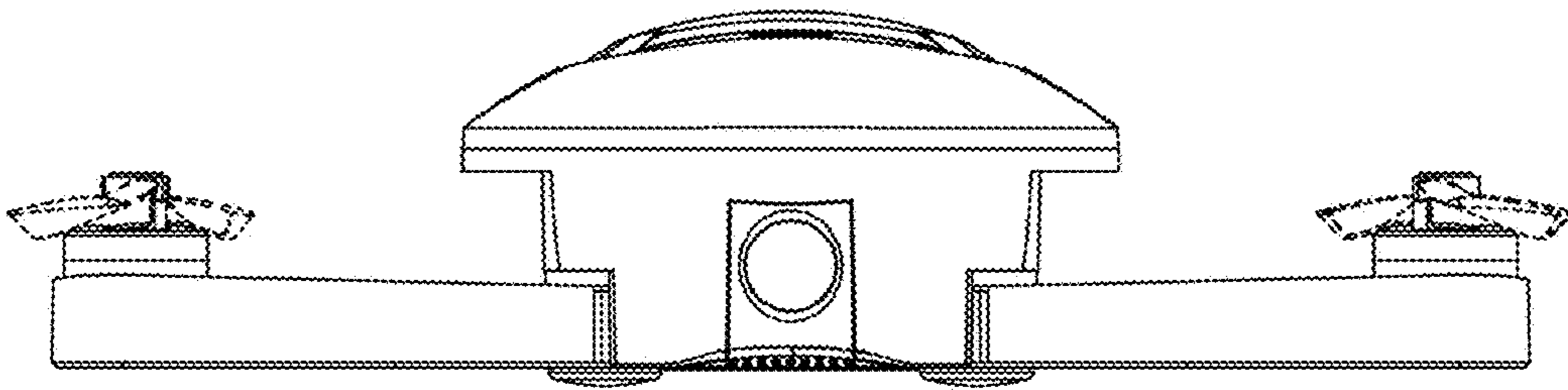


FIG. 17

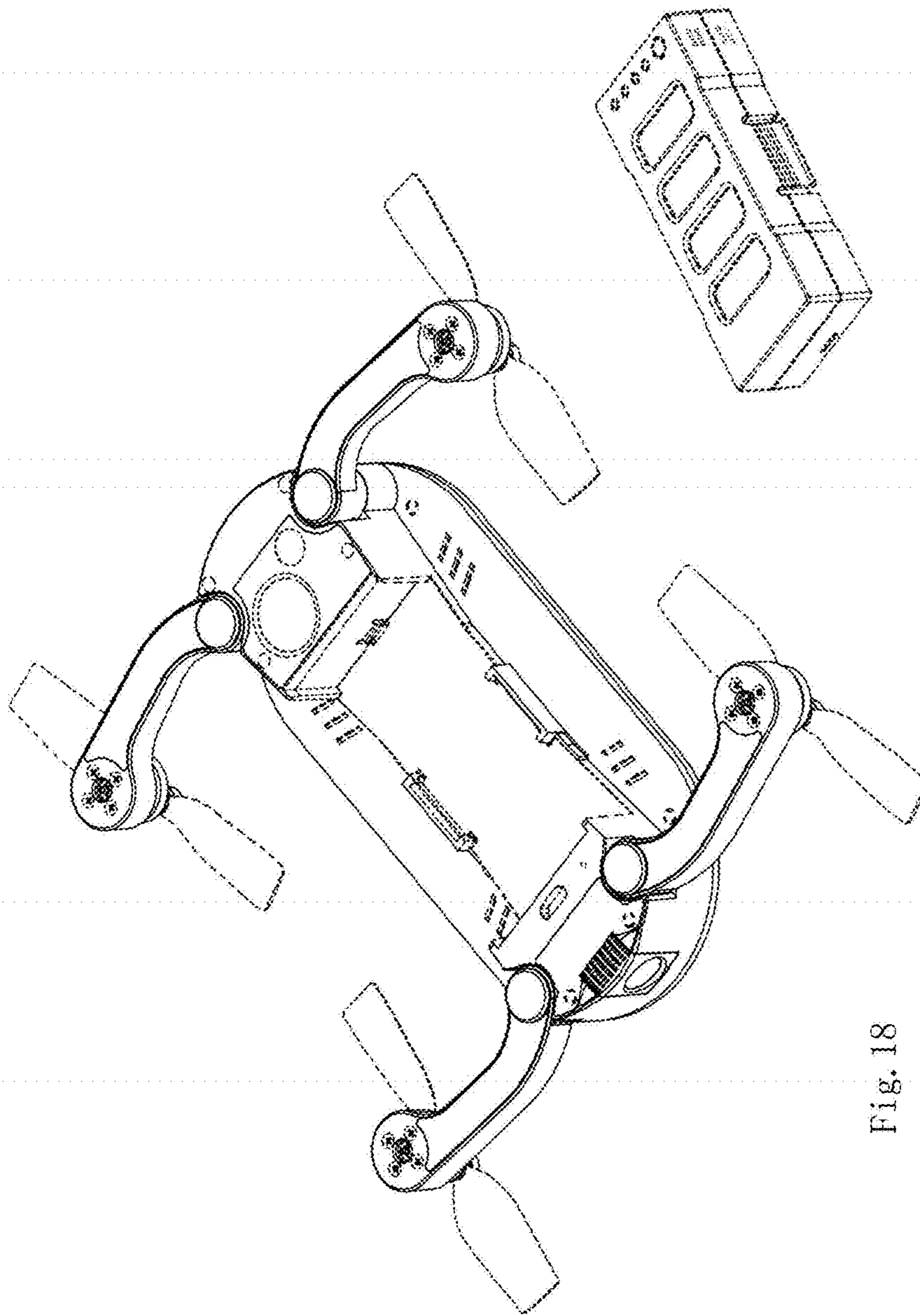


Fig. 18