



US00D795740S

(12) **United States Design Patent** (10) **Patent No.:** **US D795,740 S**  
**Takazawa et al.** (45) **Date of Patent:** **\*\* Aug. 29, 2017**

(54) **SLIDER FOR SLIDE FASTENER**

(71) Applicant: **YKK Corporation**, Tokyo (JP)

(72) Inventors: **Shigeyoshi Takazawa**, Toyama (JP);  
**Masayoshi Kojima**, Toyama (JP);  
**Takayuki Inukai**, Toyama (JP)

(73) Assignee: **YKK Corporation** (JP)

(\*\*) Term: **15 Years**

(21) Appl. No.: **29/557,590**

(22) Filed: **Mar. 10, 2016**

(30) **Foreign Application Priority Data**

Sep. 18, 2015 (JP) ..... 2015-020751

(51) **LOC (10) Cl.** ..... **15-07**

(52) **U.S. Cl.**

USPC ..... **D11/221**

(58) **Field of Classification Search**

USPC ..... D11/200-201, 221; 24/381-383,  
24/385-387, 414-431, 4, 412; D2/641;  
294/3.6

CPC ..... A44B 19/00; A44B 19/02; A44B 19/04;  
A44B 19/10; A44B 19/24; A44B 19/26;  
A44B 19/30; A44B 19/06

See application file for complete search history.

(56) **References Cited**

U.S. PATENT DOCUMENTS

D706,677 S *	6/2014	Takani	.....	D11/221
D707,589 S *	6/2014	Takani	.....	A44B 19/26
				D11/221
D709,405 S *	7/2014	Keyaki	.....	D11/221
D710,750 S *	8/2014	Takani	.....	D11/221
D721,617 S *	1/2015	Ozawa	.....	D11/221

\* cited by examiner

*Primary Examiner* — Ralf T Seifert

(74) *Attorney, Agent, or Firm* — Kilpatrick Townsend & Stockton LLP

(57) **CLAIM**

The ornamental design for a slider for a slide fastener, as shown and described.

**DESCRIPTION**

FIG. 1 is a perspective view of the front, top and right side of a slider for a slide fastener, showing our new design; FIG. 2 is a front view thereof; FIG. 3 is a rear view thereof; FIG. 4 is a top plan view thereof; FIG. 5 is a bottom view thereof; and, FIG. 6 is a right side view thereof, the left side view being a mirror image thereof.

**1 Claim, 5 Drawing Sheets**

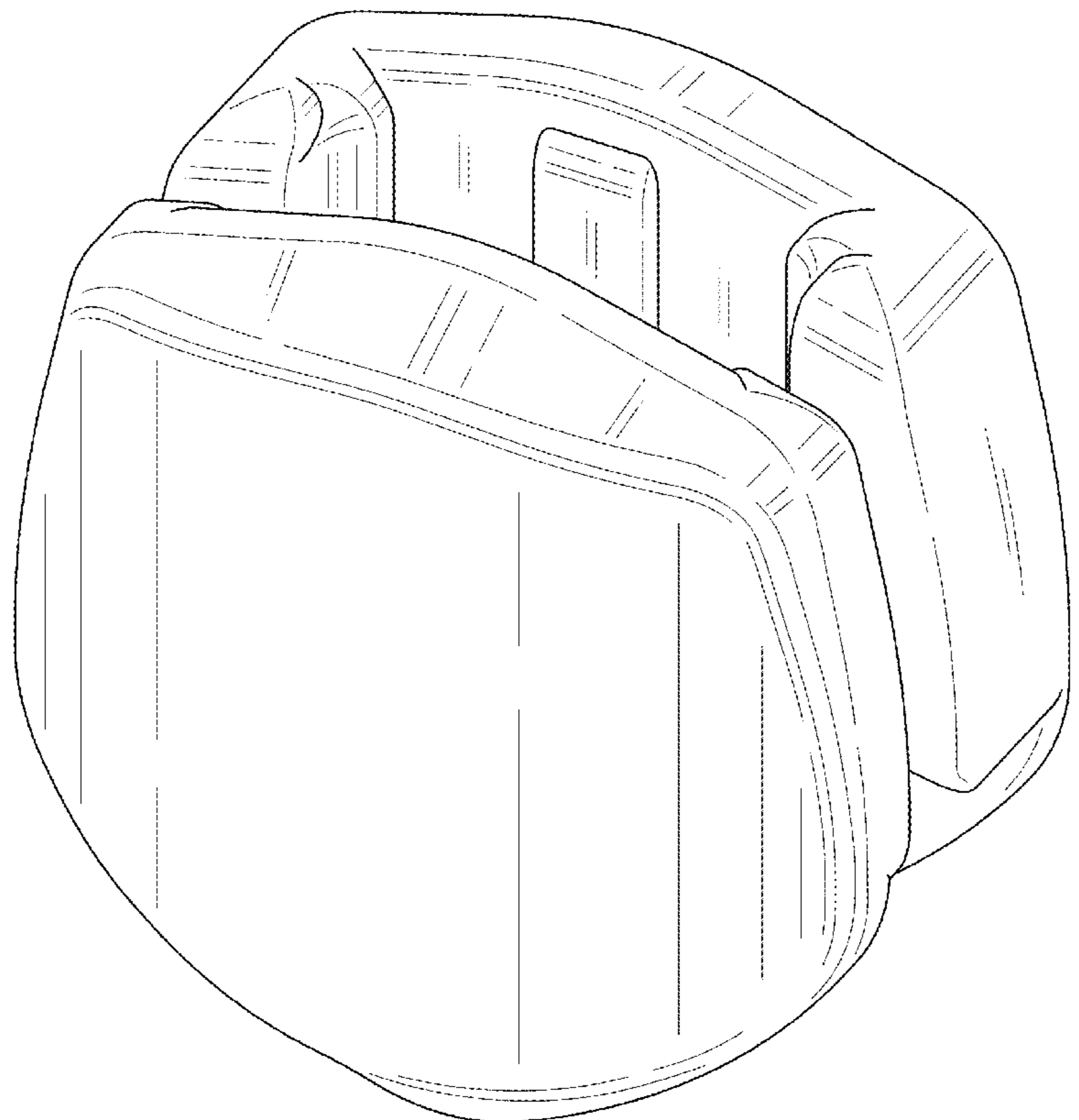


Fig. 1

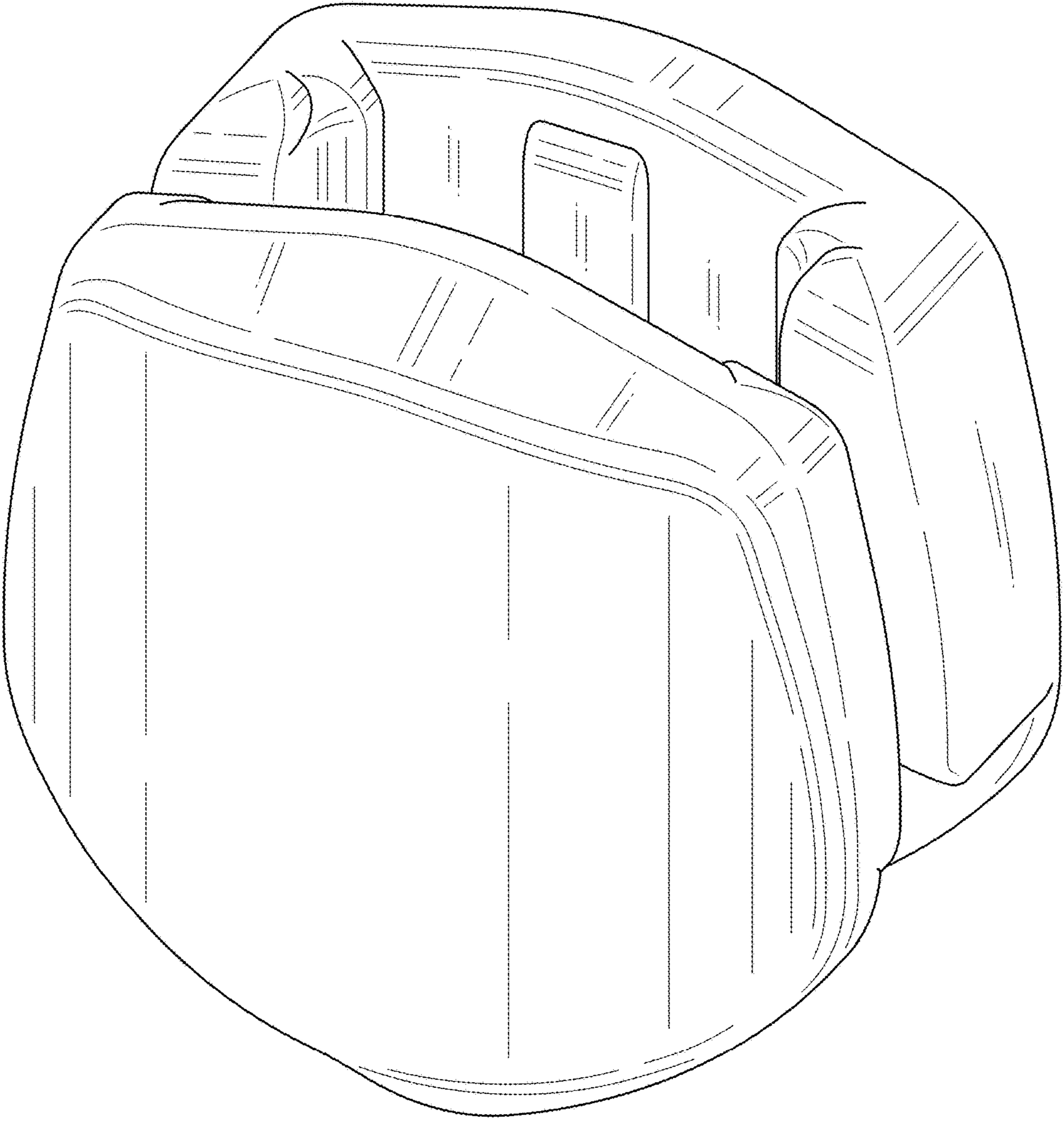


Fig. 2

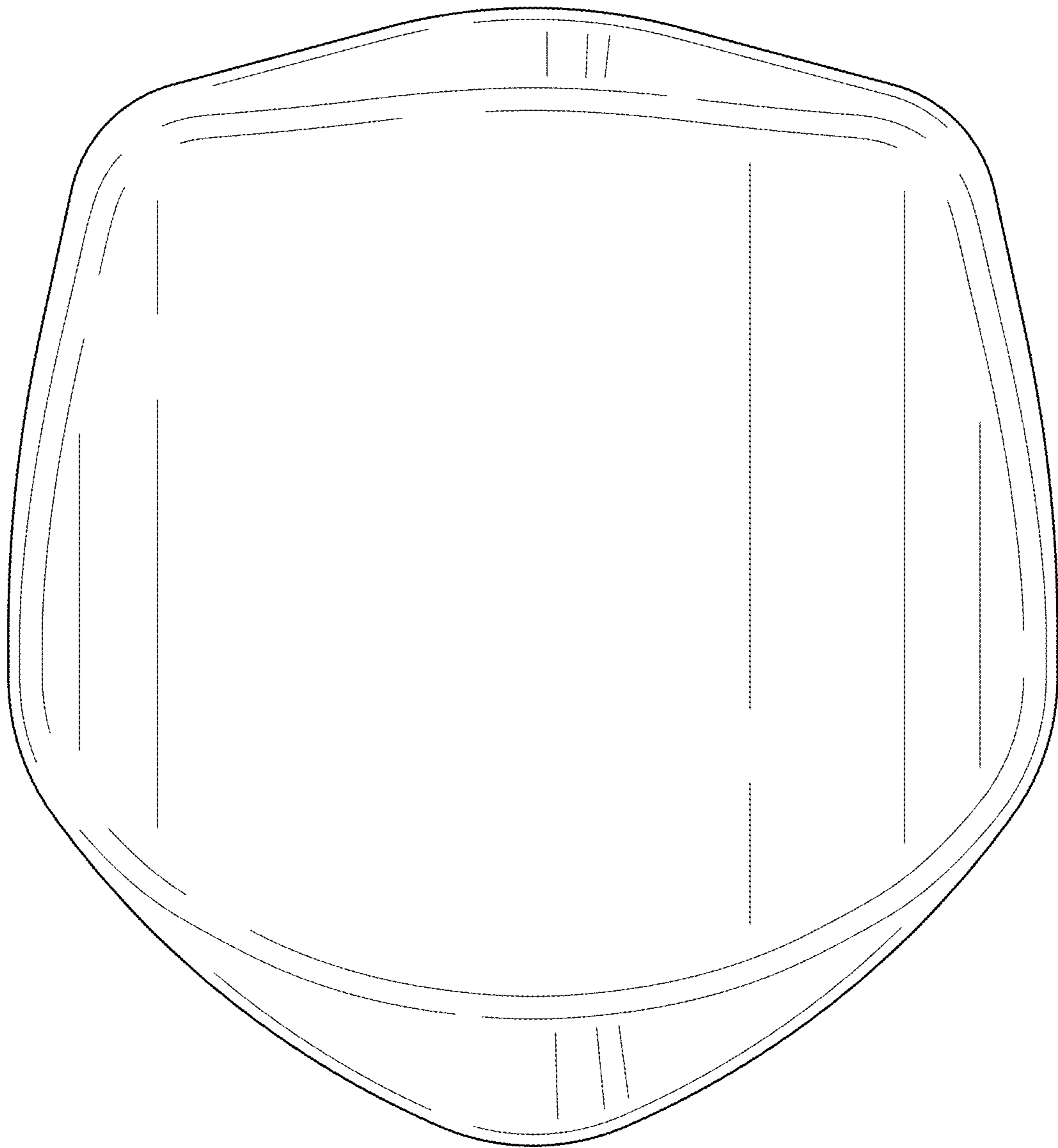


Fig. 3

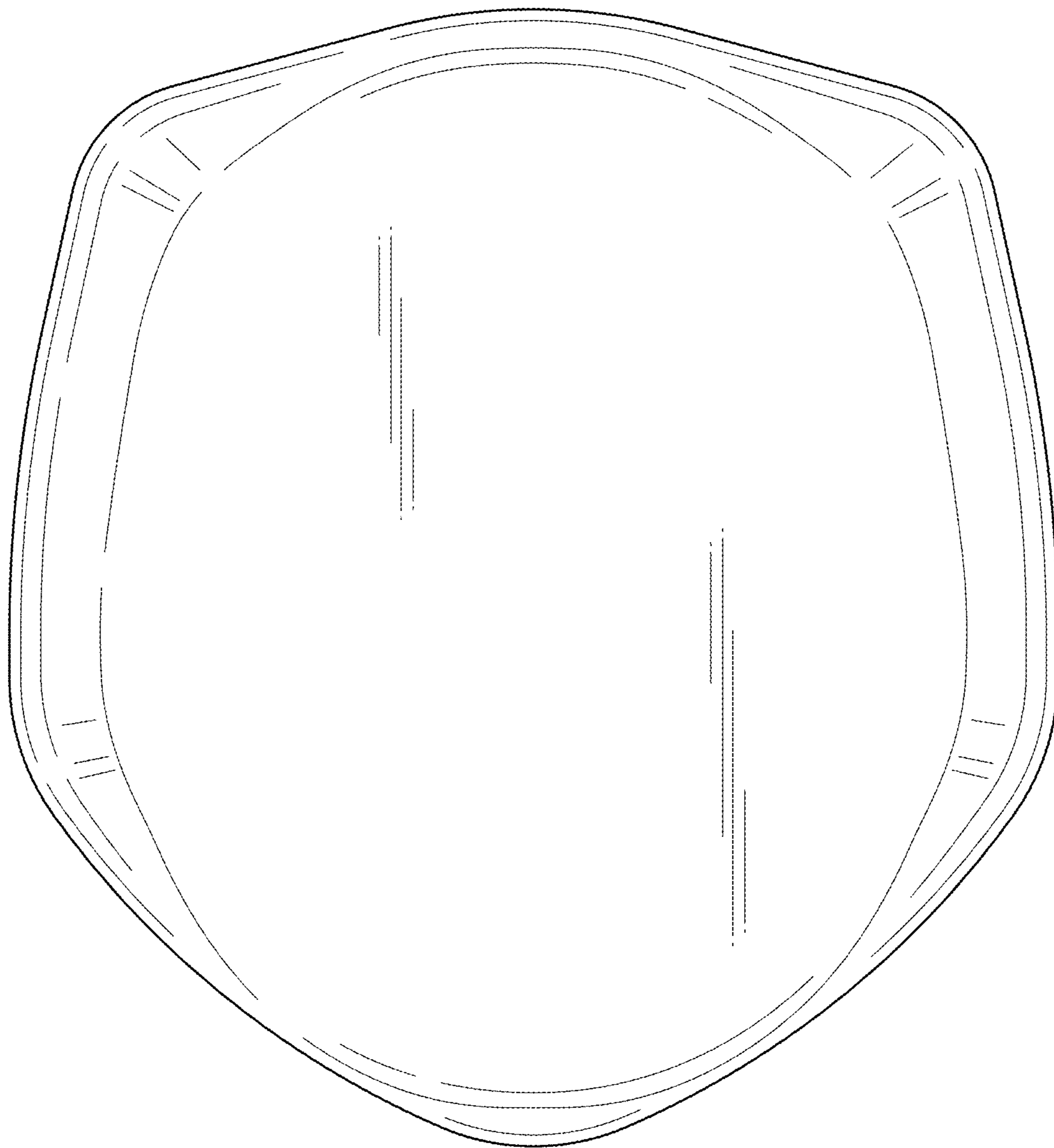


Fig. 4

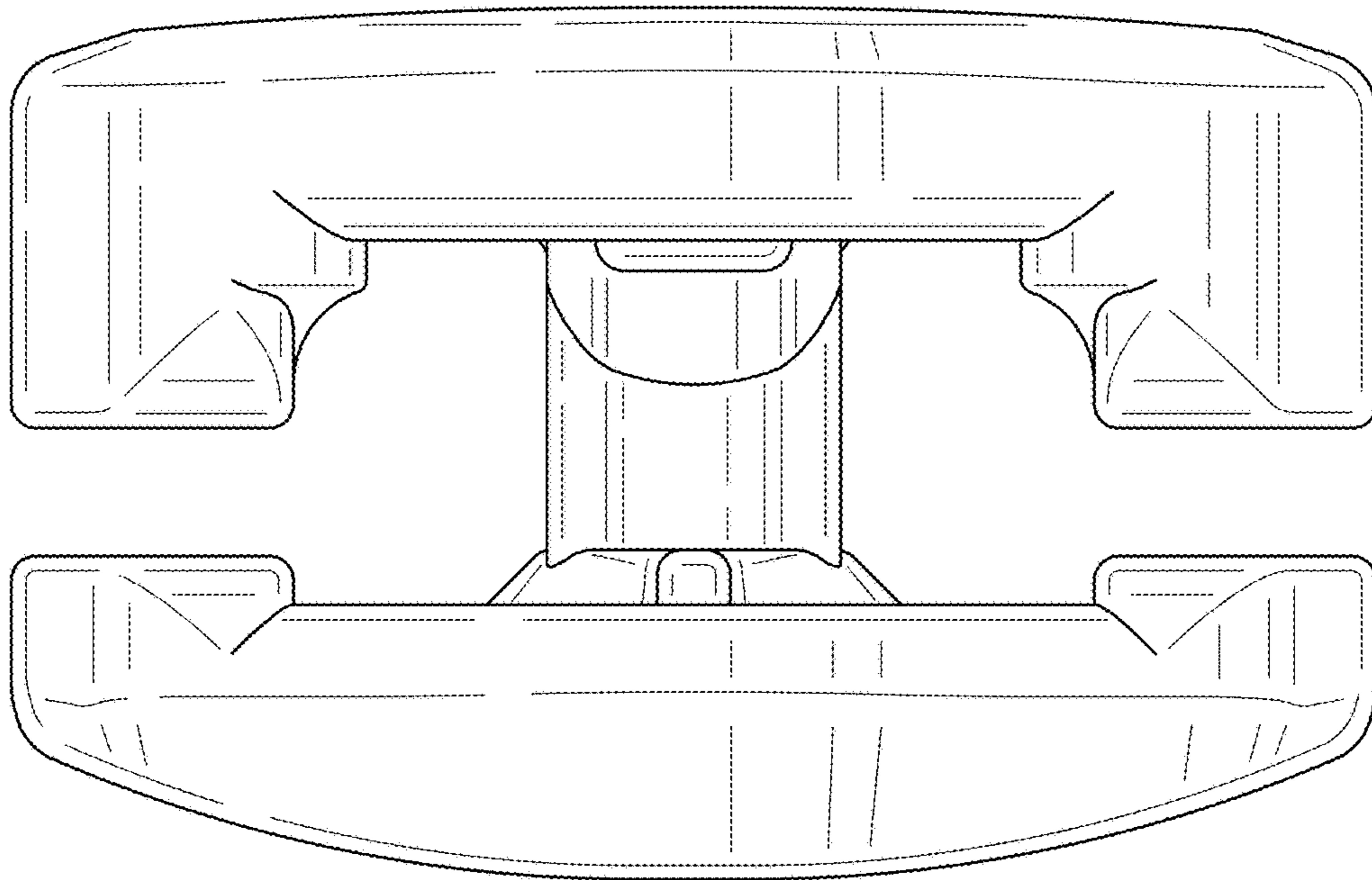


Fig. 5

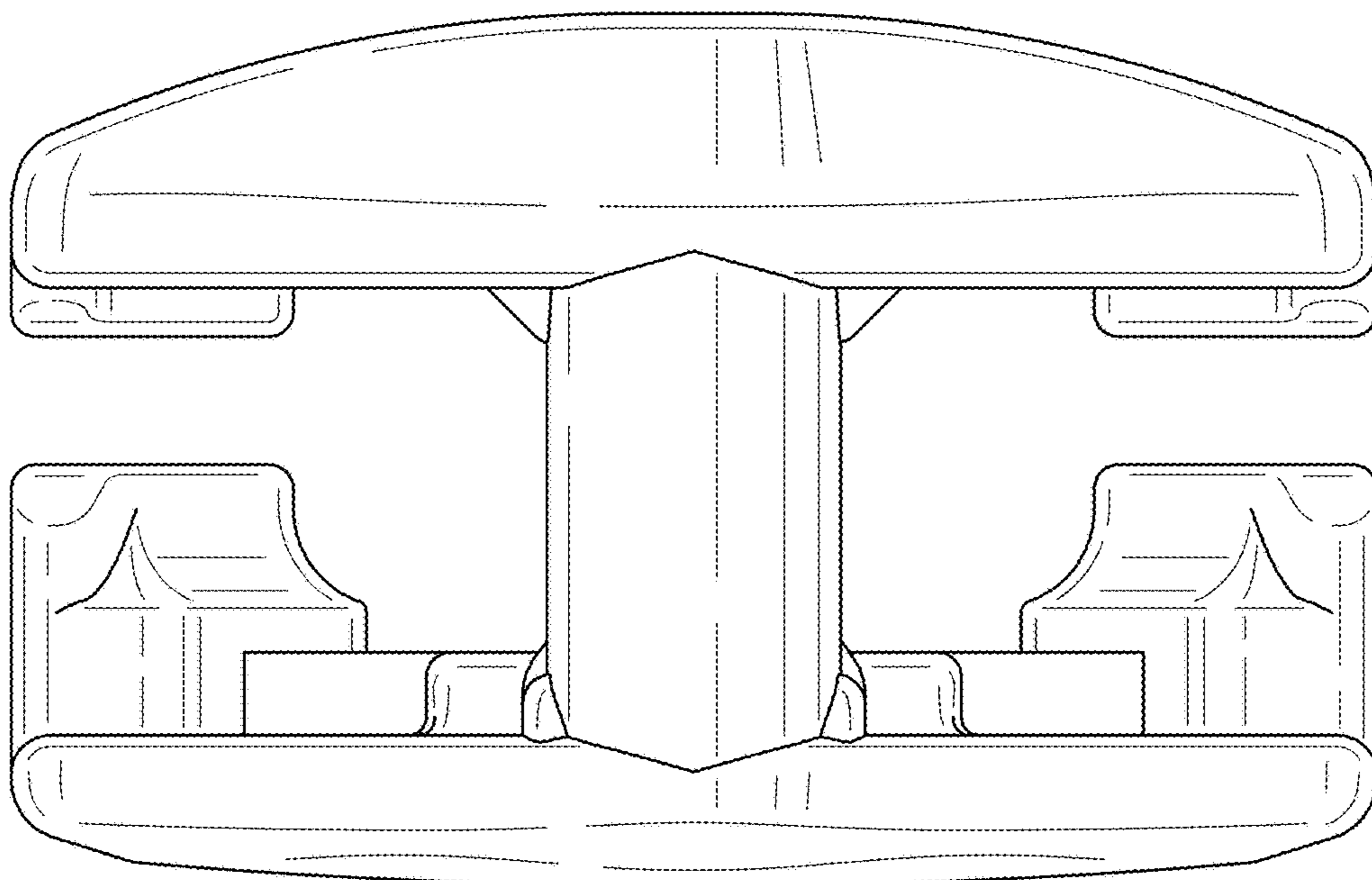




Fig. 6

