



US00D795739S

(12) **United States Design Patent**
Cleveland

(10) **Patent No.:** **US D795,739 S**

(45) **Date of Patent:** **** Aug. 29, 2017**

- (54) **AQUAPONIC GROWTH CONTAINER**
- (71) Applicant: **Clayton D Cleveland**, Mokena, IL
(US)
- (72) Inventor: **Clayton D Cleveland**, Mokena, IL
(US)
- (**) Term: **15 Years**
- (21) Appl. No.: **29/540,398**
- (22) Filed: **Sep. 24, 2015**
- (51) **LOC (10) Cl.** **11-02**
- (52) **U.S. Cl.**
USPC **D11/155**
- (58) **Field of Classification Search**
USPC D6/403-405, 556-558, 675, 683, 708.16,
D6/708.2; D9/428, 545, 643;
D11/143-156, 164; D7/701
CPC . A01G 9/00; A01G 9/02; A01G 9/028; A01G
9/04; A01G 9/042; A01G 9/045; A01G
9/10; A01G 27/005; A01G 27/006; A01G
27/02; A01G 31/00; A01G 31/001; A01G
31/02; A01G 7/045

See application file for complete search history.

- 4,318,237 A * 3/1982 Hicks G09F 13/04
40/502
- D271,387 S * 11/1983 Lentz D11/145
- 4,448,463 A * 5/1984 Amos A47B 67/00
312/111
- 4,974,386 A * 12/1990 Eriksson E04B 1/3483
312/111
- D383,707 S * 9/1997 Waszkiewicz, III D11/155
- 5,902,025 A * 5/1999 Yu G06F 1/181
312/109
- D444,177 S * 6/2001 Carretta D19/77
- 6,779,299 B2 * 8/2004 Clarke A01G 31/02
47/59 R
- D677,076 S * 3/2013 Olson D6/675
- D702,537 S * 4/2014 Hyp D8/359
- 8,984,806 B2 * 3/2015 Uchiyama A01G 9/24
47/17
- 9,173,352 B1 * 11/2015 Moreland A01K 1/00
- D754,267 S * 4/2016 Ross D21/686
- 9,526,333 B1 * 12/2016 Nielson A47B 47/0091
- 2013/0255149 A1 * 10/2013 Jung A01G 9/045
47/39

* cited by examiner

Primary Examiner — Elizabeth Albert

(57) **CLAIM**

The ornamental design for a aquaponic growth container, as shown and described.

DESCRIPTION

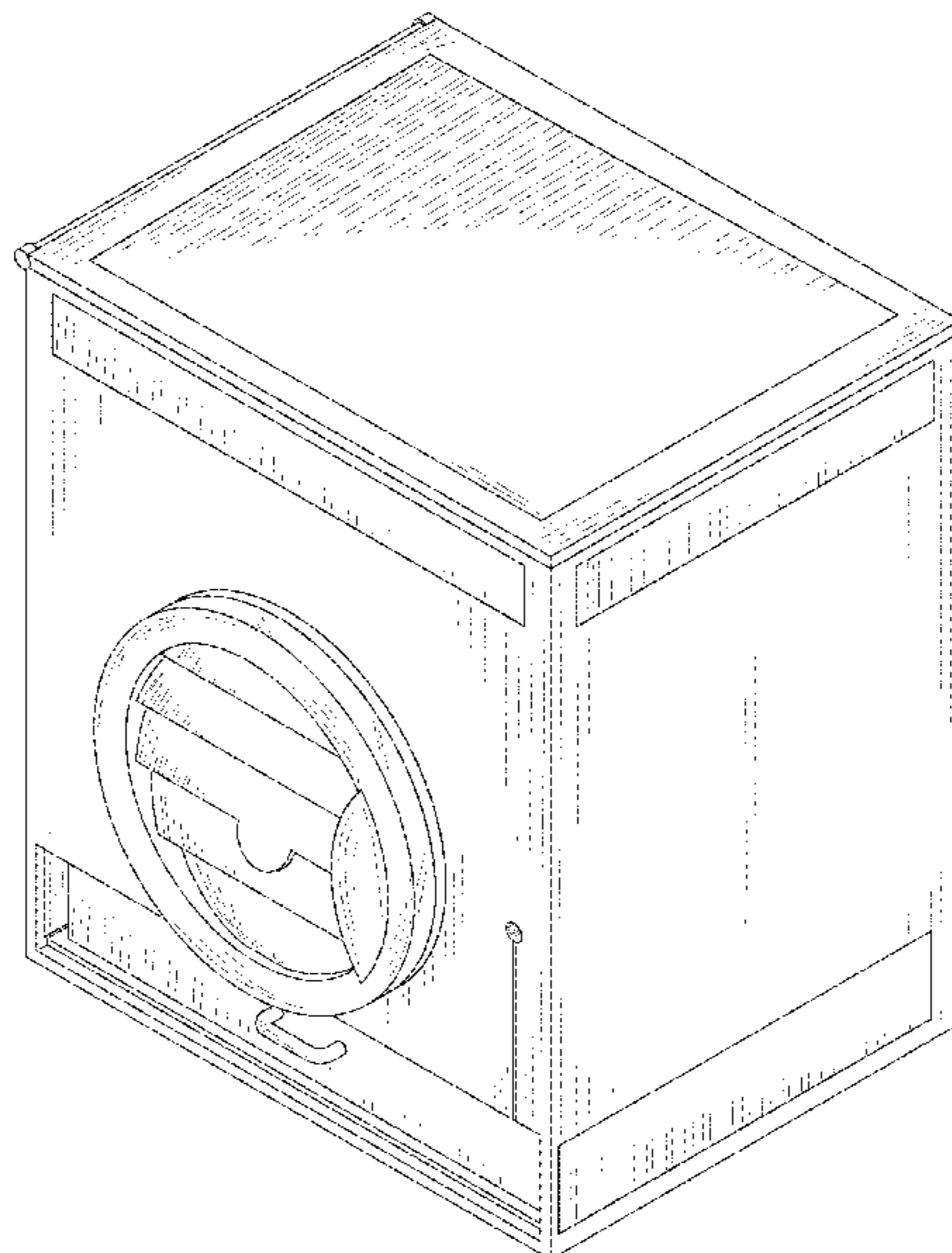
FIG. 1 is a perspective view of an aquaponic growth container showing my new design; FIG. 2 is a front elevational view thereof; FIG. 3 is a rear elevational view thereof; FIG. 4 is a left-side elevational view thereof; FIG. 5 is a right-side elevational view thereof; FIG. 6 is a top plan view thereof; and, FIG. 7 is a bottom plan view thereof.

1 Claim, 7 Drawing Sheets

(56) **References Cited**

U.S. PATENT DOCUMENTS

- 1,043,594 A * 11/1912 Hill A01G 13/04
47/29.3
- 1,124,844 A * 1/1915 Boyer A01G 31/02
47/16
- 1,202,174 A * 10/1916 Floren A01G 31/02
47/14
- 1,959,800 A * 5/1934 Rogge A47G 7/041
16/42 R
- D161,970 S * 2/1951 Snider D6/674
- 3,106,801 A * 10/1963 Risacher A01G 9/16
119/319



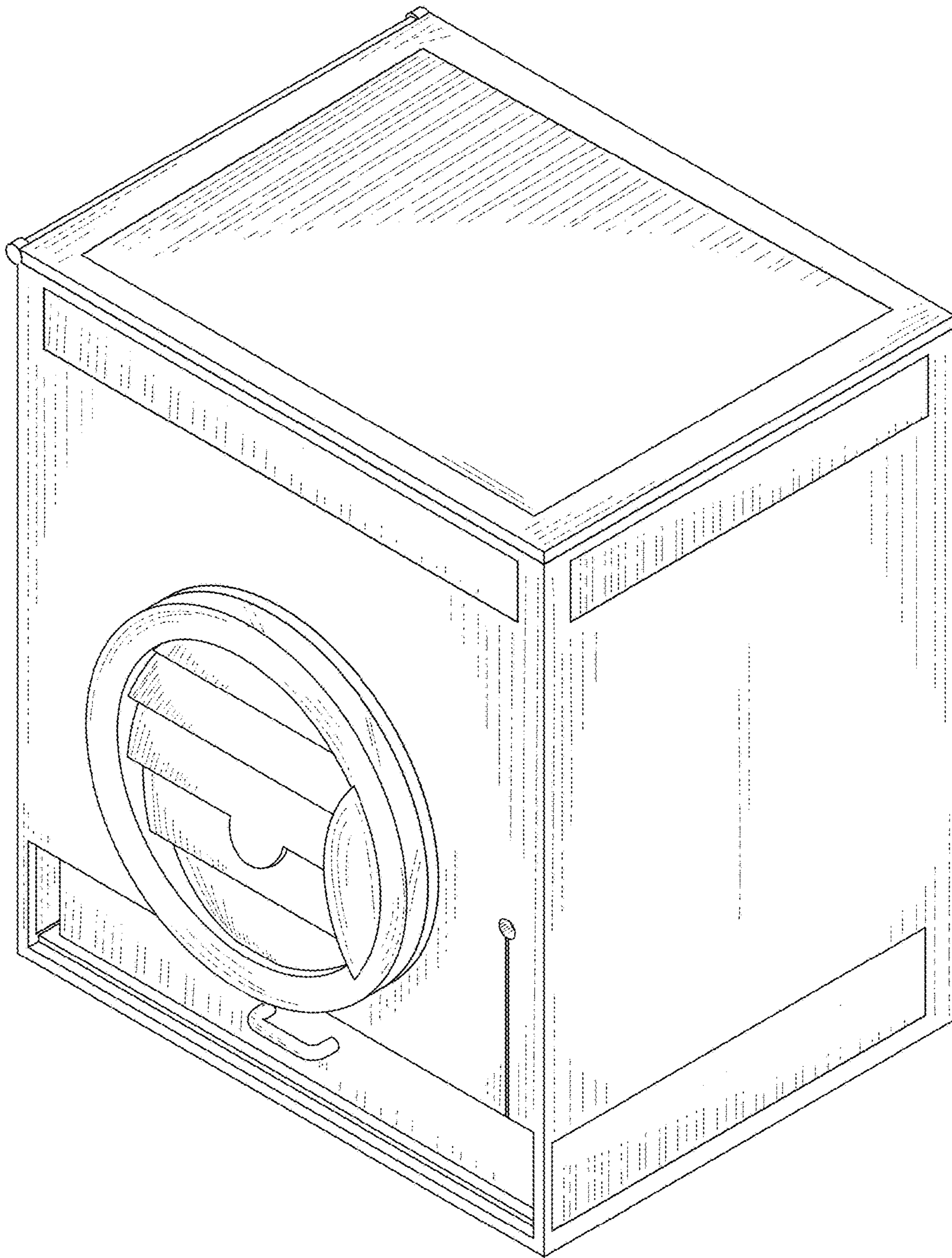


FIG. 1

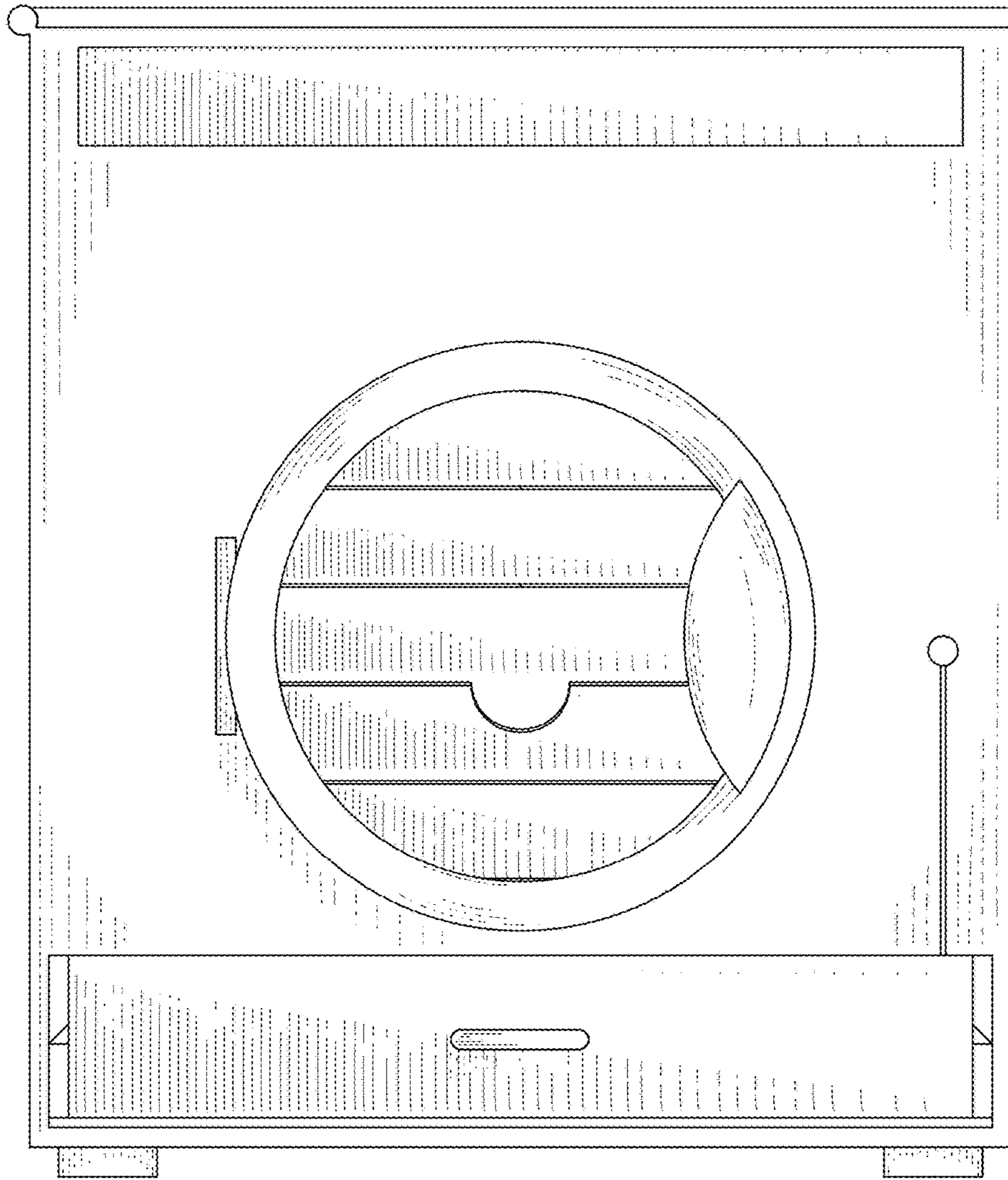


FIG. 2

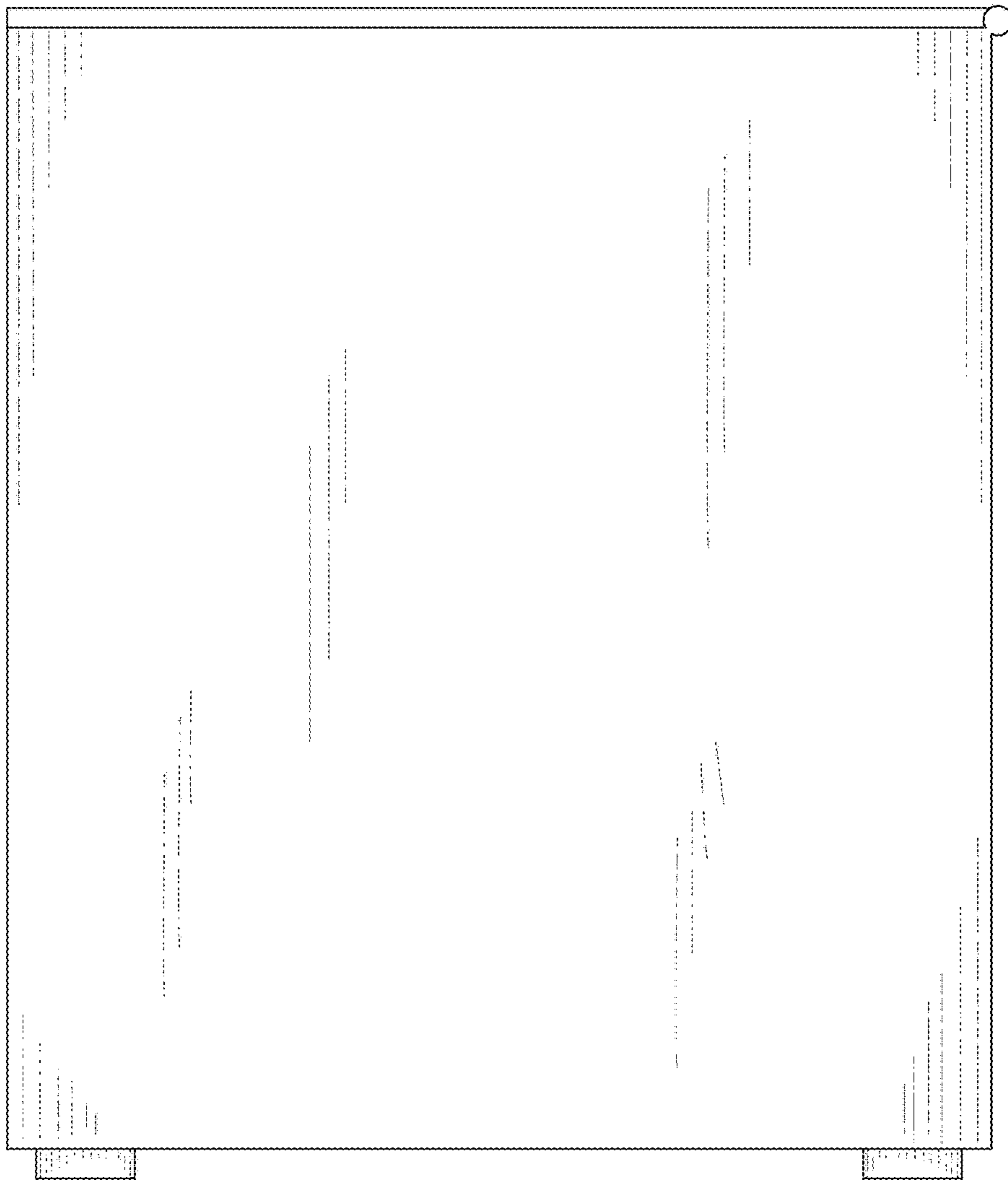


FIG. 3

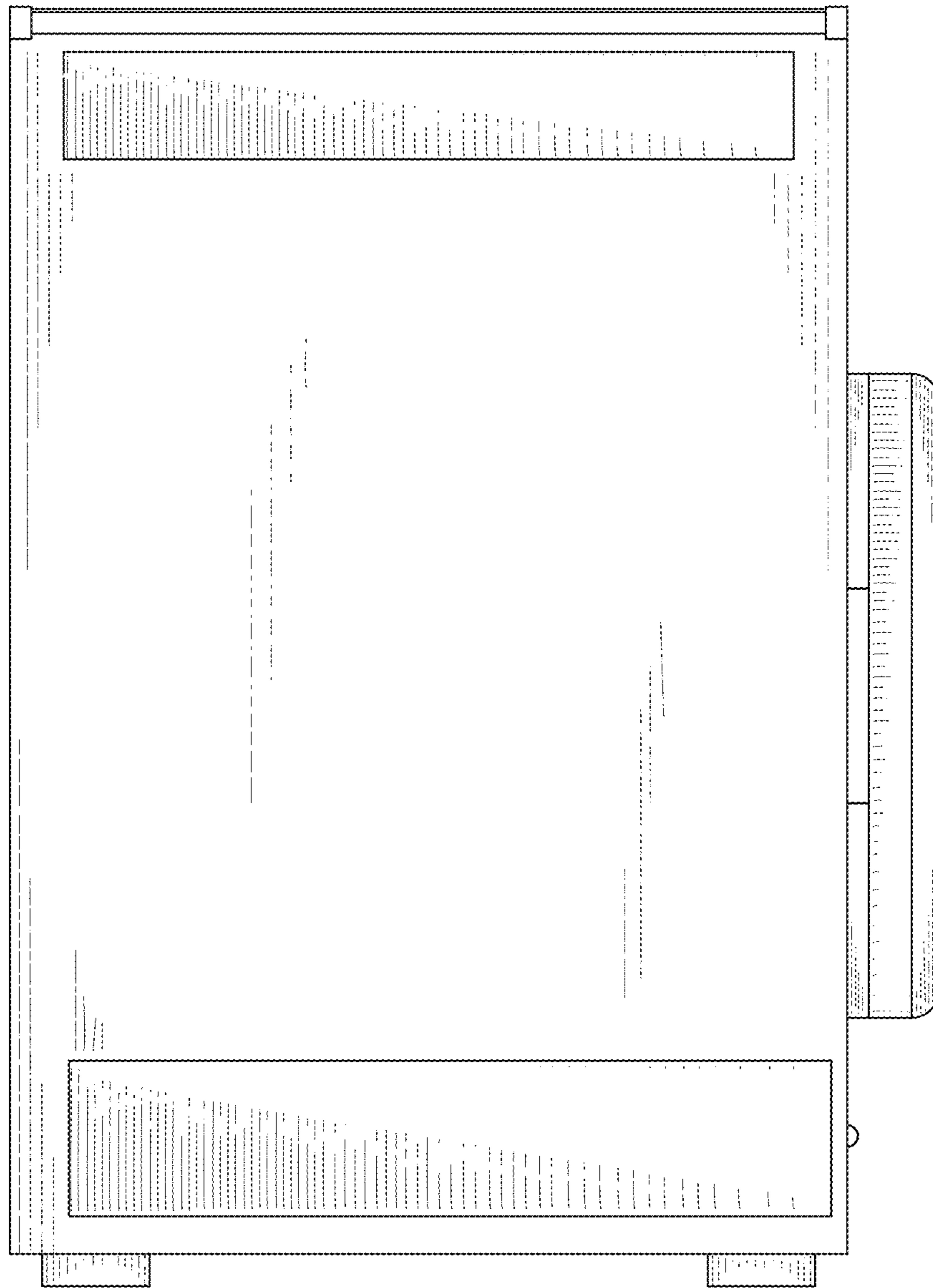


FIG. 4

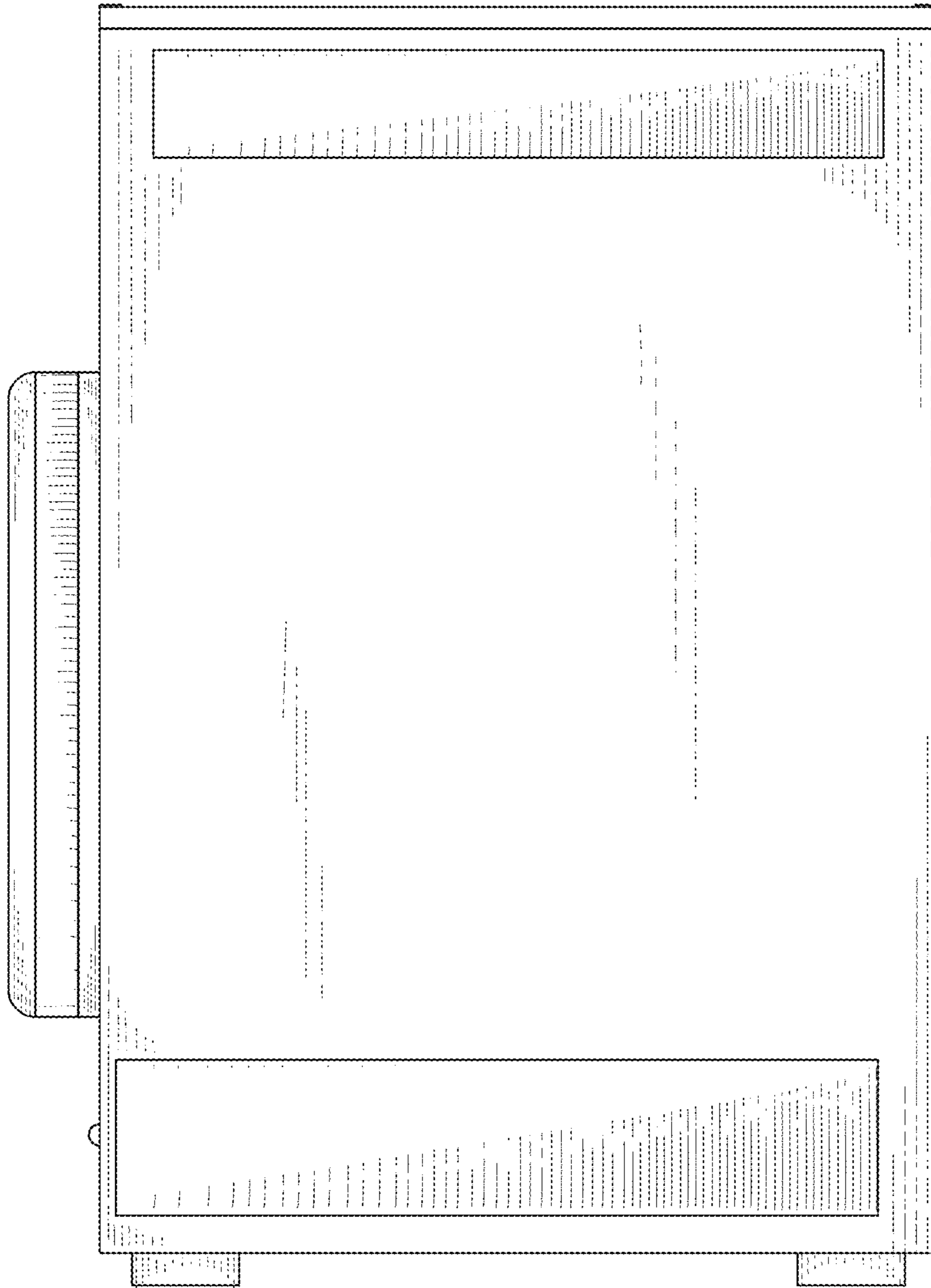


FIG. 5

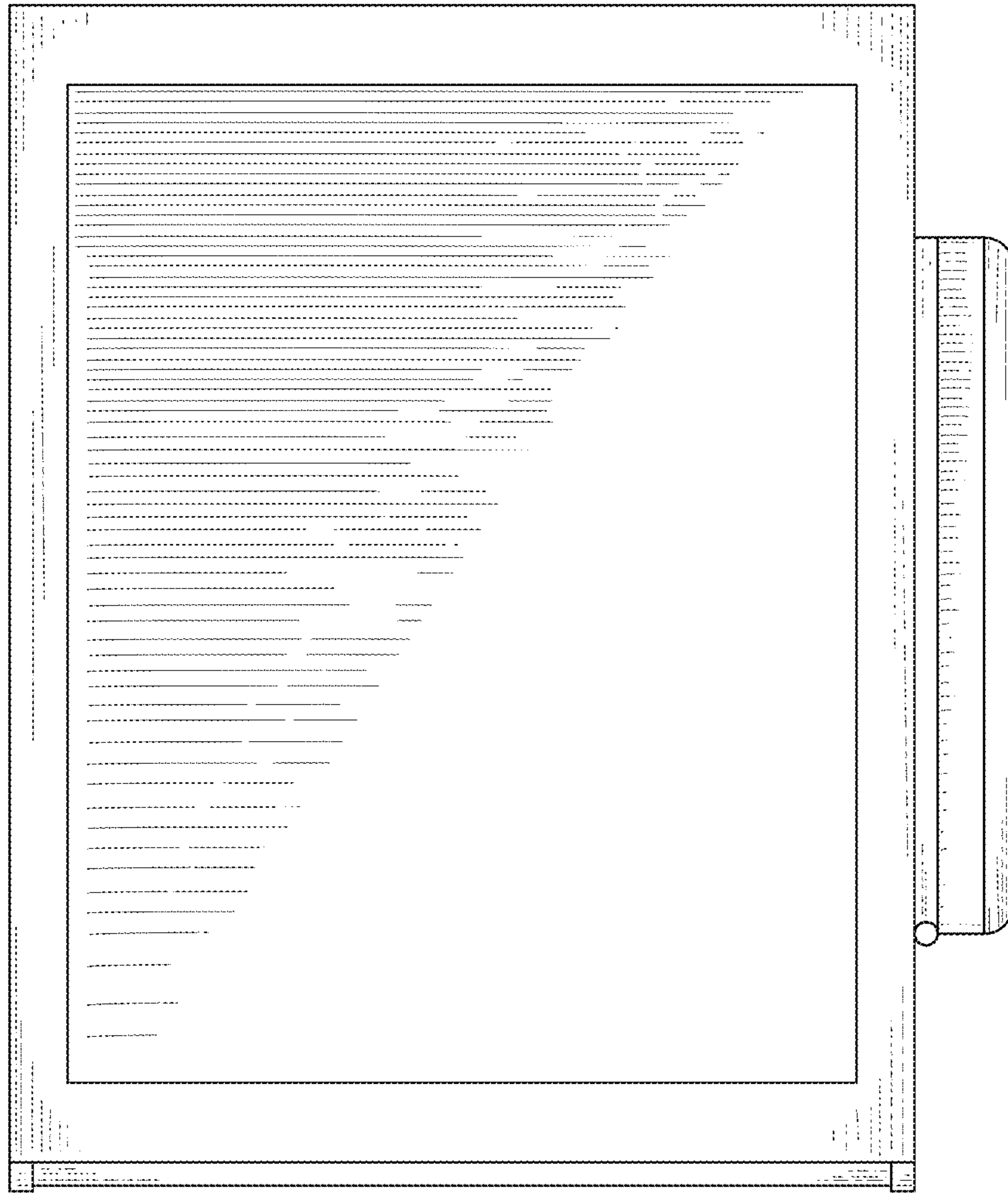


FIG. 6

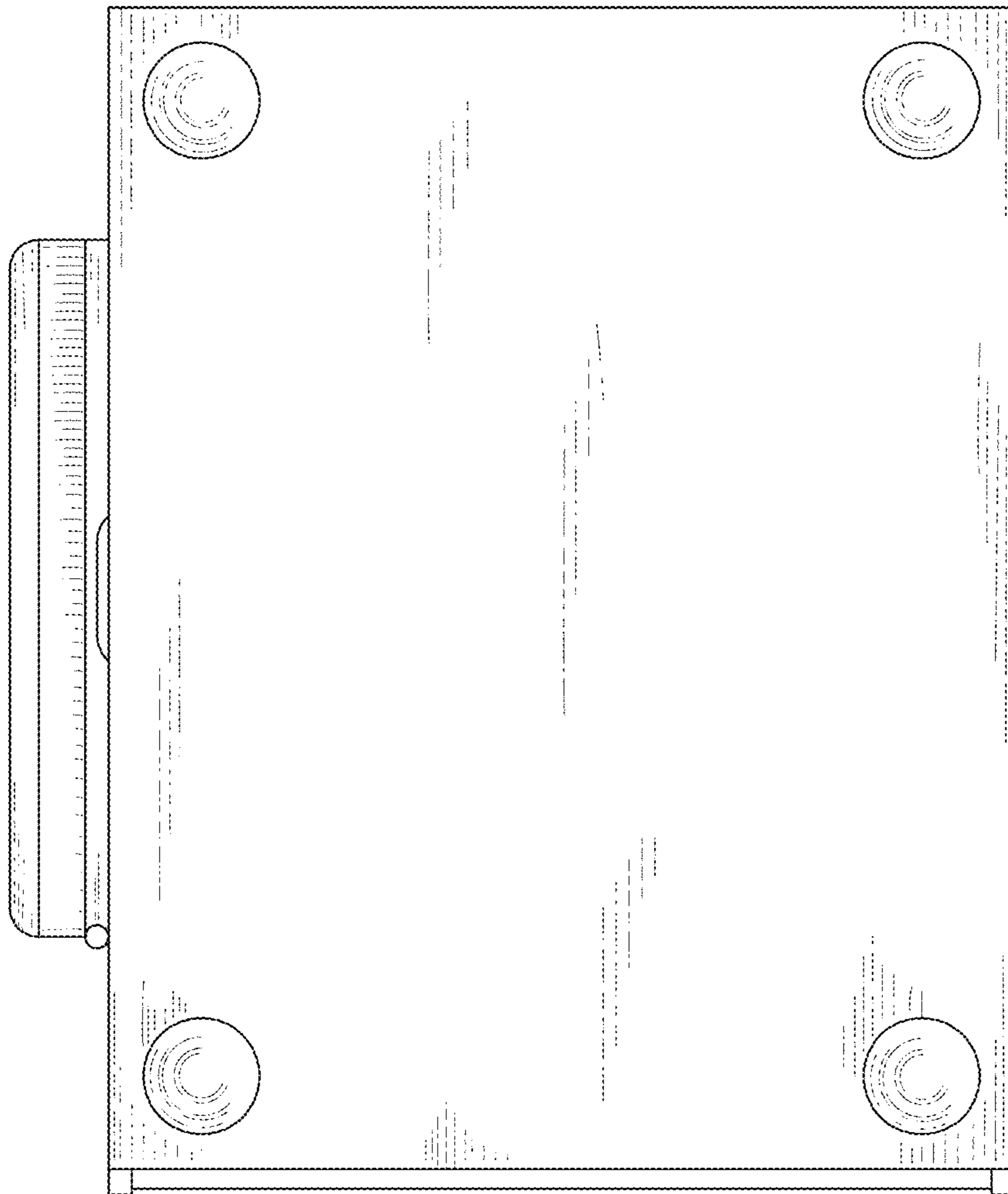


FIG. 7