



US00D795737S

(12) **United States Design Patent** (10) **Patent No.:** **US D795,737 S**  
**Messerer et al.** (45) **Date of Patent:** **\*\* Aug. 29, 2017**

(54) **GROW LIGHT APPARATUS**

FOREIGN PATENT DOCUMENTS

(71) Applicants: **Klaus Messerer**, Santa Fe, NM (US);  
**Daniel Lauffer**, Madison, WI (US)

CN 202077455 U 12/2011  
CN 203482679 U 3/2014  
EP 2384621 A1 11/2011

(72) Inventors: **Klaus Messerer**, Santa Fe, NM (US);  
**Daniel Lauffer**, Madison, WI (US)

OTHER PUBLICATIONS

(73) Assignee: **LED Habitats LLC**, Larkspur, CO  
(US)

LED Habitat Pro, posted date not given, © 2016 LEDHabitats LLC,  
[online], [site visited Dec. 5, 2016]. Available from Internet, <URL:  
<http://ledhabitats.com/discover/grow-herbs/>>.\*

(\*\*) Term: **15 Years**

(Continued)

(21) Appl. No.: **29/545,016**

*Primary Examiner* — Caron D Veynar

(22) Filed: **Nov. 9, 2015**

*Assistant Examiner* — Laura Yu

(51) **LOC (10) Cl.** ..... **11-02**

(74) *Attorney, Agent, or Firm* — Boardman & Clark LLP

(52) **U.S. Cl.**  
USPC ..... **D11/144**

(57) **CLAIM**

(58) **Field of Classification Search**  
USPC ..... D11/144, 54.1, 145; D26/55, 24  
CPC ..... A01G 9/16; A01G 7/045; A01C 1/02  
See application file for complete search history.

The ornamental design for a grow light apparatus, as shown  
and described.

**DESCRIPTION**

(56) **References Cited**

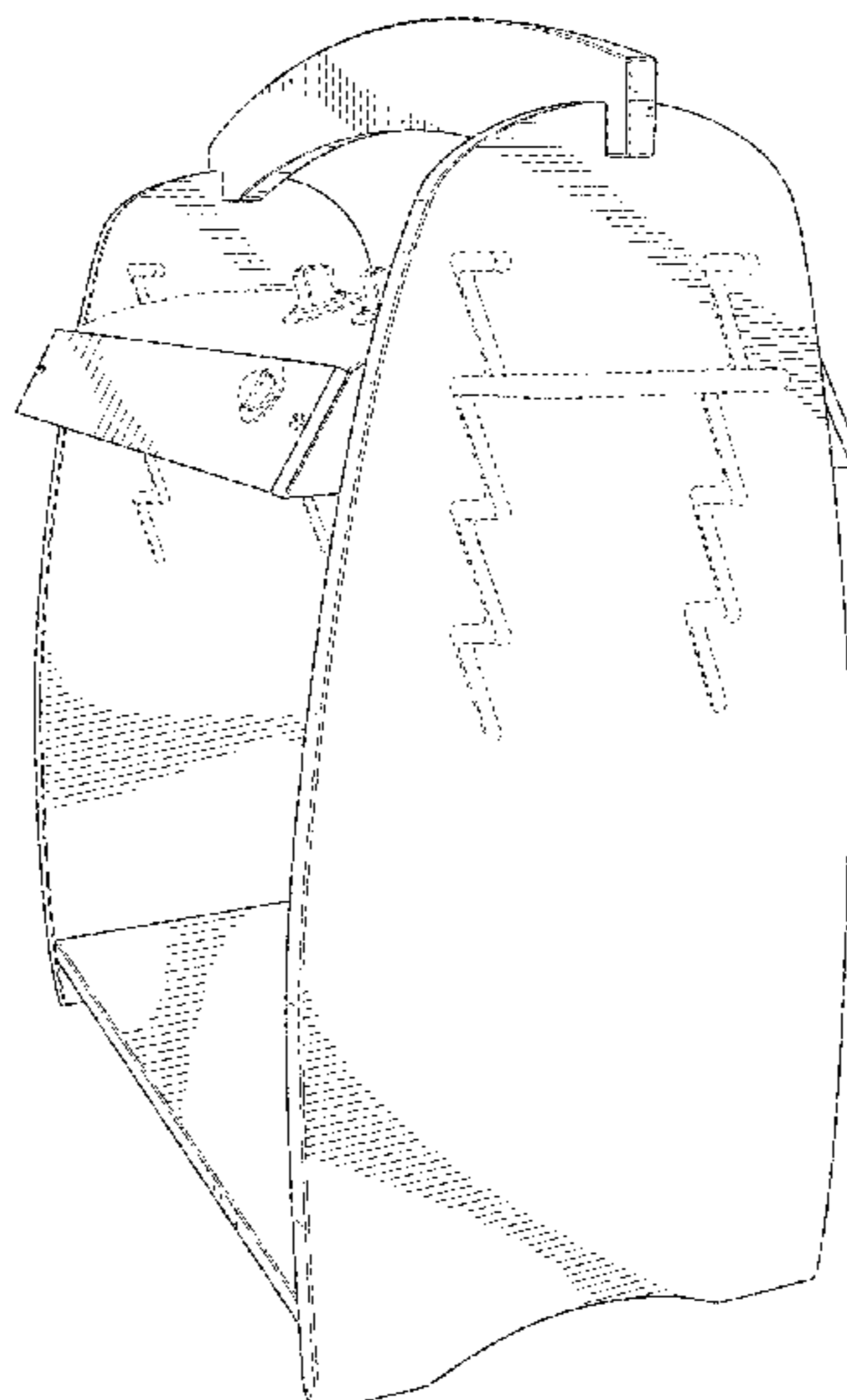
U.S. PATENT DOCUMENTS

2,709,838 A \* 6/1955 Zausner ..... A01G 9/16  
47/17  
3,066,445 A \* 12/1962 D'Amico ..... A01G 7/045  
362/217.05  
4,170,844 A \* 10/1979 Steele ..... A01G 9/16  
47/29.1  
D264,006 S 4/1982 Bessone et al.  
D309,122 S 7/1990 Biemolt  
D327,663 S 7/1992 DeMarco  
5,448,853 A 9/1995 Harman et al.  
D366,226 S \* 1/1996 Foutes ..... D11/144  
5,641,223 A 6/1997 Rustebakke  
D416,102 S 11/1999 Schulman  
D463,624 S \* 9/2002 Oduber ..... D28/54.1  
6,450,669 B2 9/2002 Buss et al.  
6,554,450 B2 4/2003 Fang et al.

(Continued)

FIG. 1 is a front perspective view of our design of a grow light apparatus;  
FIG. 2 is a rear elevation view of our design of a grow light apparatus shown in FIG. 1;  
FIG. 3 is a front elevation view of our design of a grow light apparatus shown in FIG. 1;  
FIG. 4 is a right side elevation view of our design of a grow light apparatus shown in FIG. 1, the left side view being a mirror image of the right side elevation view;  
FIG. 5 is a top plan view of our design of a grow light shown in FIG. 1; and,  
FIG. 6 is a bottom plan view of our design of a grow light apparatus shown in FIG. 1.  
The broken lines show portions of the environment that form no part of the claimed design. Further, the portions of the grow light apparatus that are not shown in the drawings do not form any part of the claimed design.

**1 Claim, 5 Drawing Sheets**



(56)

**References Cited**

U.S. PATENT DOCUMENTS

D604,196	S	11/2009	Bissonnette et al.	
7,654,036	B2	2/2010	Shouse et al.	
8,444,304	B2	5/2013	Wang	
8,523,385	B2	9/2013	Lu et al.	
D690,839	S	10/2013	Wang	
8,579,465	B2	11/2013	Yamada et al.	
2007/0271841	A1 *	11/2007	Bissonnette .....	A01C 1/02 47/61
2009/0288340	A1	11/2009	Hess et al.	
2011/0183368	A1	7/2011	Chapman et al.	
2012/0020071	A1	1/2012	McKenzie	
2012/0124903	A1	5/2012	Takeuchi	
2014/0215917	A1	8/2014	Suzuki et al.	
2015/0163888	A1	6/2015	Fredricks	
2015/0250106	A1	9/2015	Wik et al.	

OTHER PUBLICATIONS

Lighted Indoor Plant Stand, posted by Nathan Hollis, posted date Sep. 29, 2014, © Behance, [online], [site visited Dec. 5, 2016]. Available from Internet, <URL: <https://www.behance.net/gallery/20123143/Lighted-Indoor-Plant-Stand>>.\*

Farhanahsan, "12 DIY Homemade Grow Boxes to Control the Growing Environment," <http://hngideas.com/gardening/12-diy-homemade-grow-boxes-to-control-the-growing-environment/>, 4 pages.

Author Unknown, "Best LED Grow Lights Reviews 2015," <http://ledgrowlightsguides.com>, 12 pages.

Rorison, I. H., "A Double Shell Plant Growth Cabinet," *New Phytologist*, Dec. 1964, 63:358-362.

\* cited by examiner

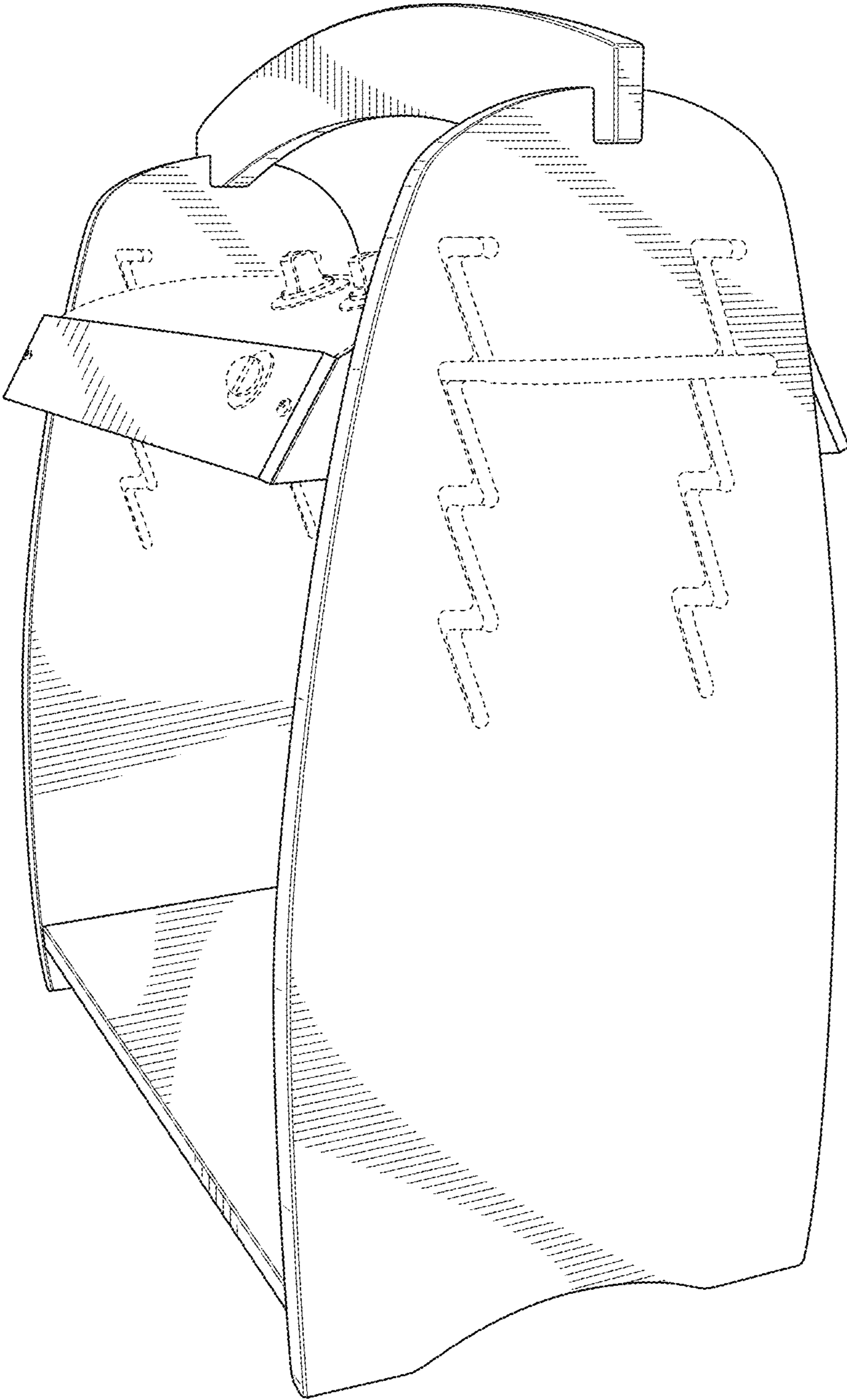
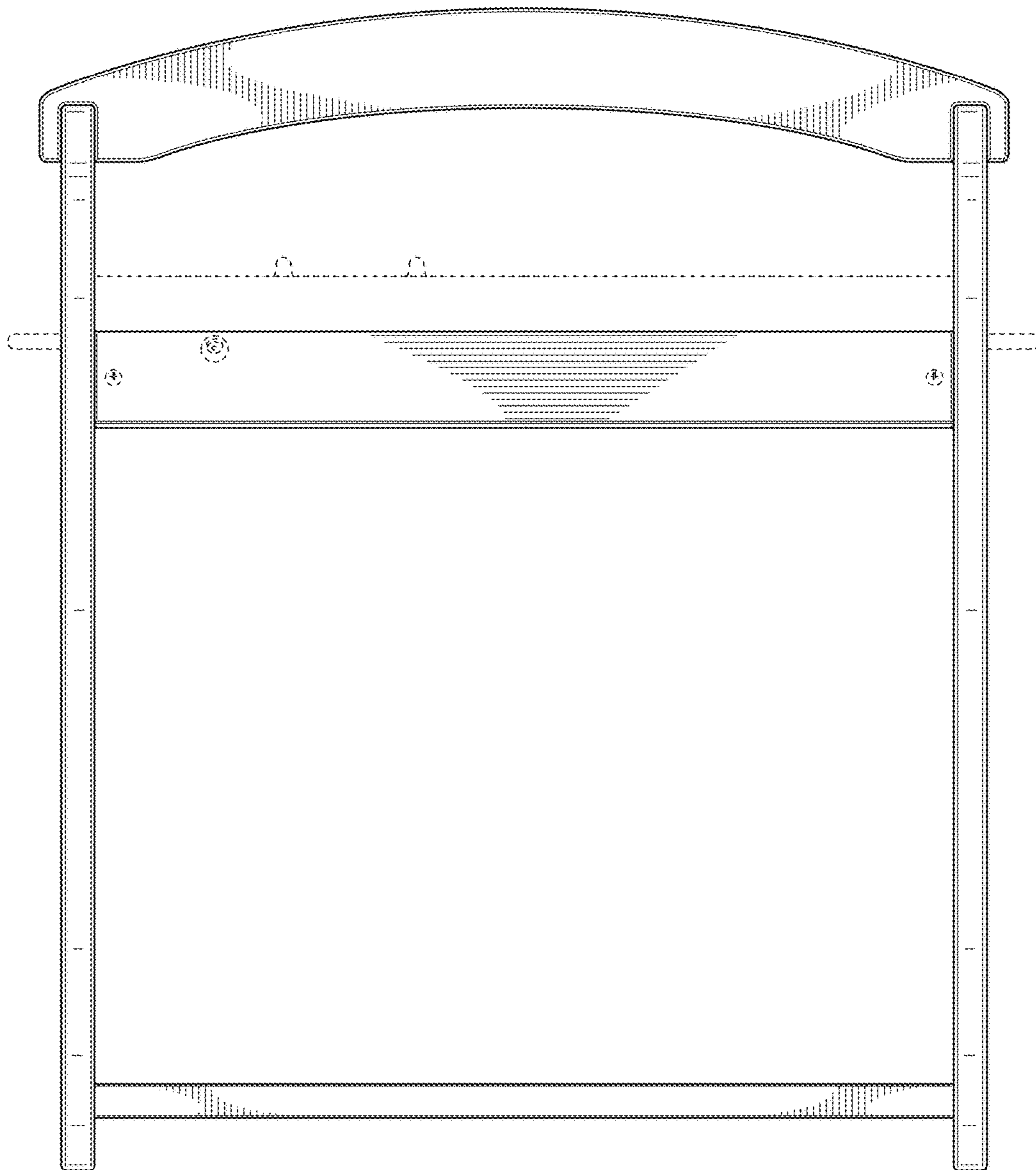
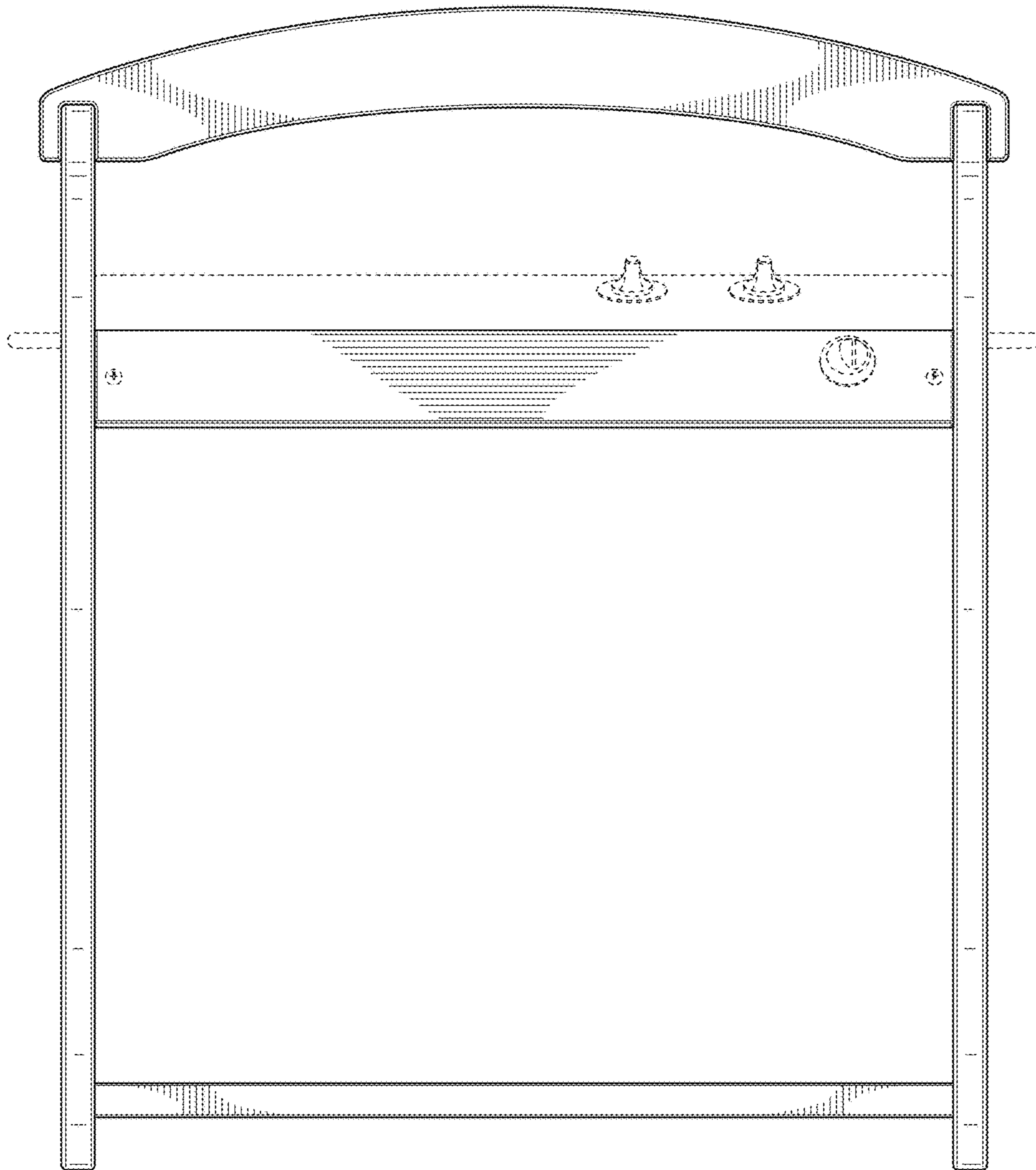


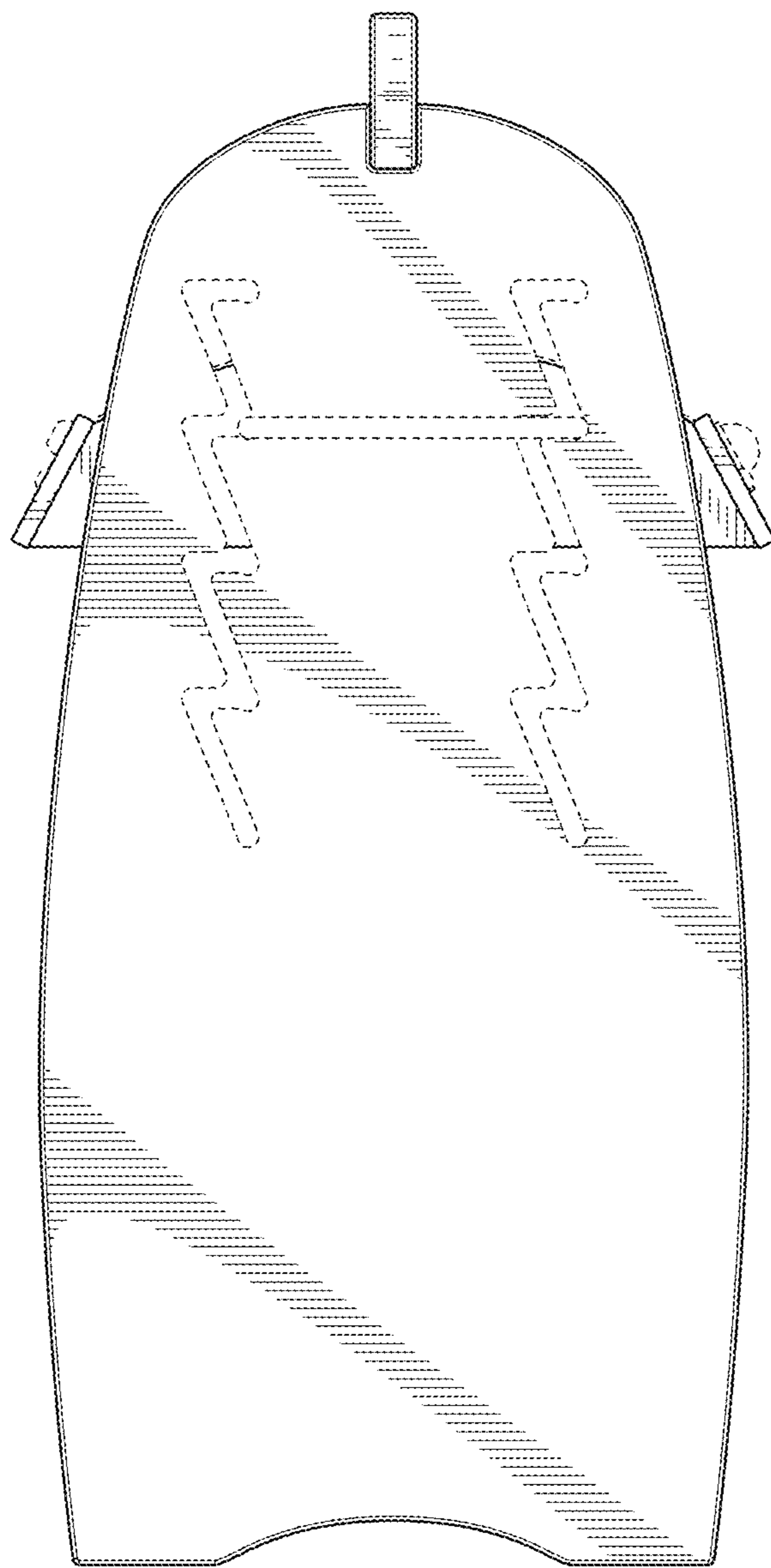
FIG. 1



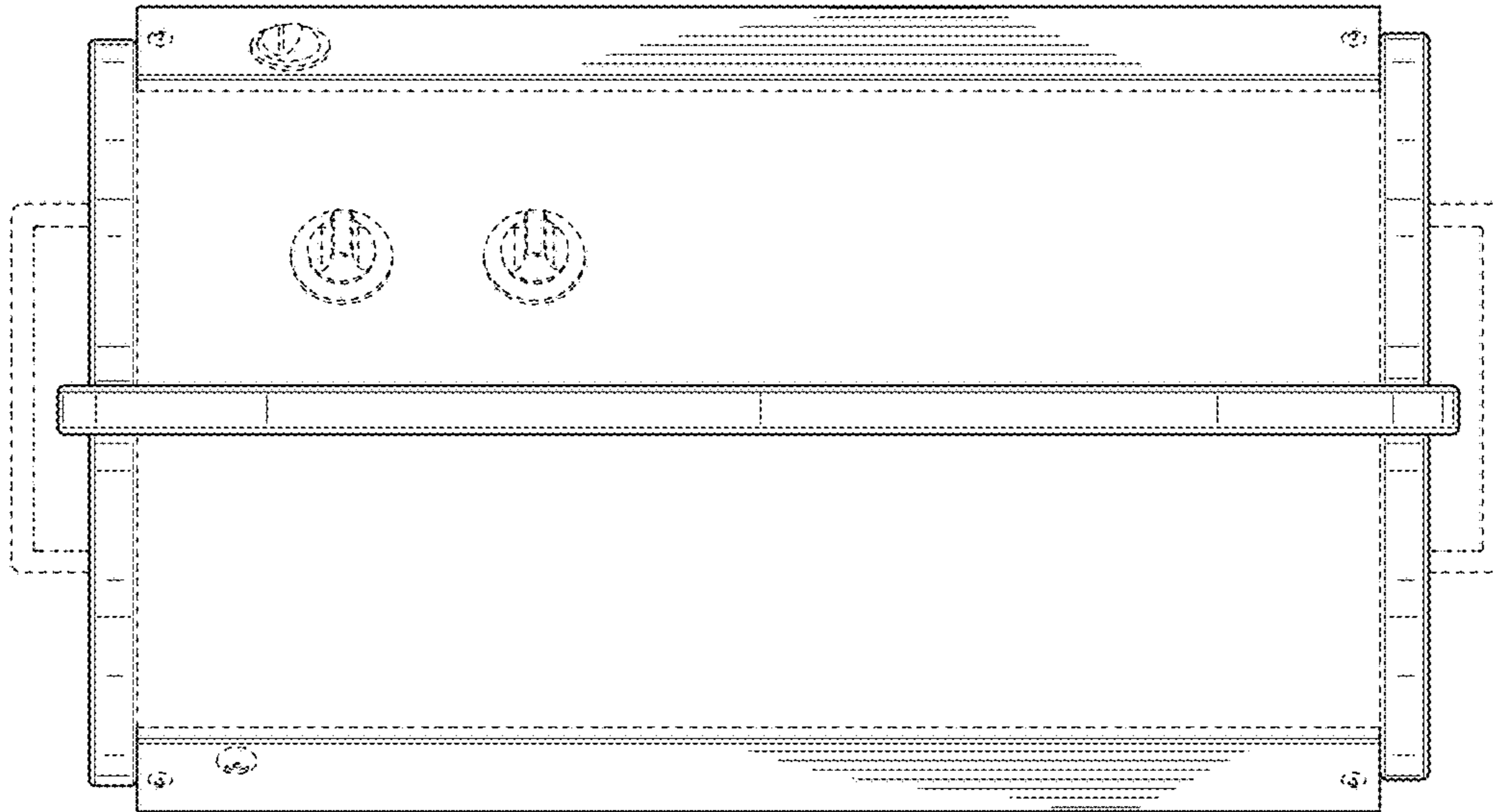
**FIG. 2**



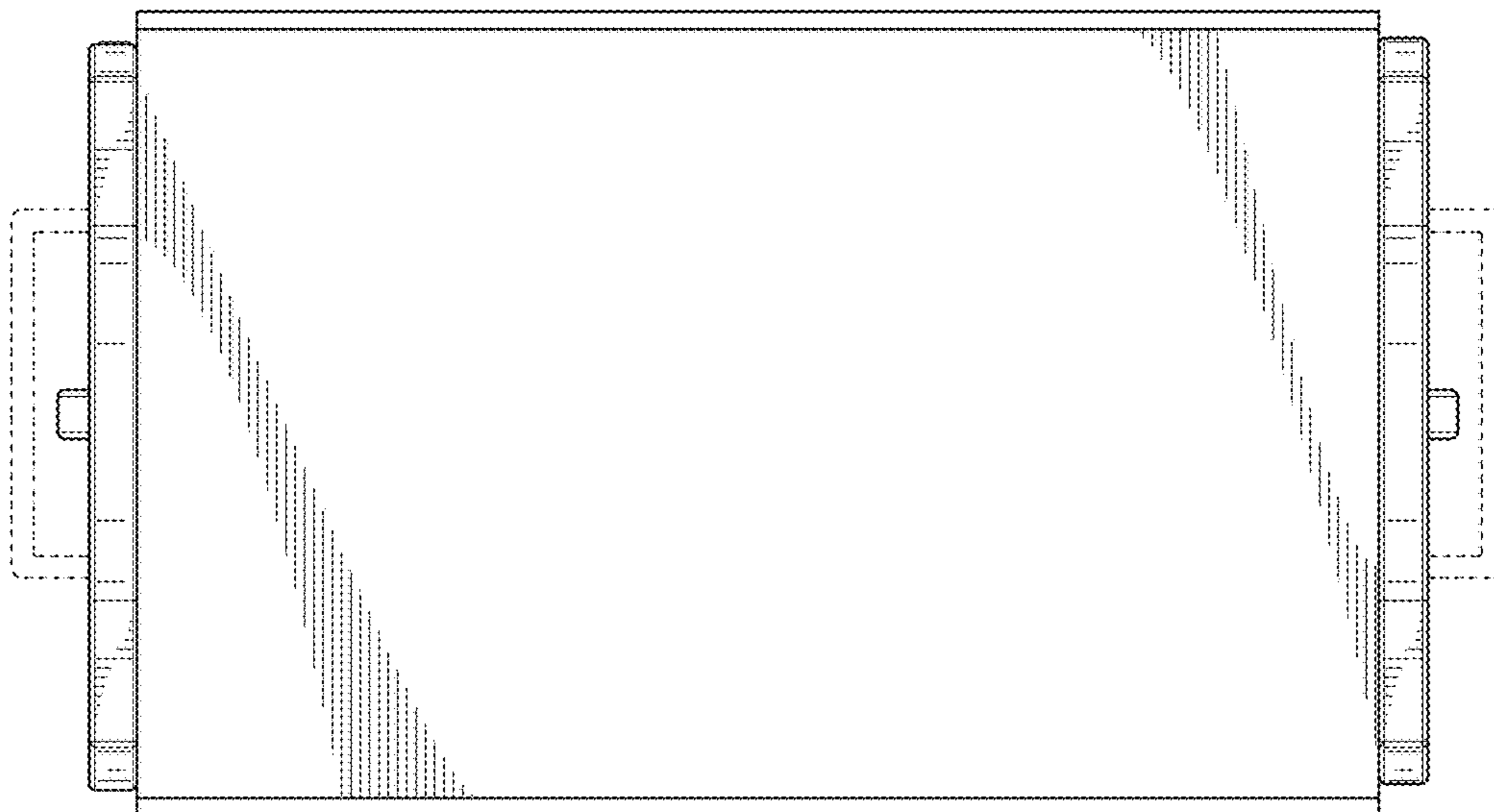
**FIG. 3**



**FIG. 4**



**FIG. 5**



**FIG. 6**