

US00D795735S

(12) **United States Design Patent** (10) **Patent No.:** **US D795,735 S**
Li (45) **Date of Patent:** **** Aug. 29, 2017**

(54) **CLIP-ON HOLIDAY ORNAMENT WITH ELECTRONIC FLAME**
(71) Applicant: **Xiaofeng Li**, Shenzhen (CN)
(72) Inventor: **Xiaofeng Li**, Shenzhen (CN)
(**) Term: **15 Years**
(21) Appl. No.: **29/565,244**
(22) Filed: **May 18, 2016**
(51) **LOC (10) Cl.** **11-05**
(52) **U.S. Cl.**
USPC **D11/121; D26/6; D26/10; D26/20**
(58) **Field of Classification Search**
USPC D11/117, 121, 125, 130, 131, 157, 164;
D26/1, 5, 6, 7, 8, 9, 10, 20, 21, 22, 23,
D26/96
CPC A47G 33/00; A47G 33/08; A47G 33/0836;
A47G 33/10; A47G 33/105; A47G
2033/0827; F21S 6/00; F21S 6/001; F21S
10/04; F21S 10/043; F21W 2121/00;
F21W 2121/002; F21W 2121/04
See application file for complete search history.

(56) **References Cited**
U.S. PATENT DOCUMENTS
D16,512 S * 2/1886 Bradley D26/20
D22,112 S * 1/1893 Geer D26/20
D66,675 S * 2/1925 Fred D26/20
D69,753 S * 3/1926 Fields D26/20
D69,880 S * 4/1926 Fields D26/20
D70,233 S * 5/1926 Mann D10/54
D76,314 S * 9/1928 Krause D26/20
D99,892 S * 6/1936 Pollock D11/121
D110,631 S * 7/1938 Schachter D11/121
D149,599 S * 5/1948 Wilson D26/20
D152,593 S * 2/1949 Castell D11/121
2,468,283 A * 4/1949 Abramson A47G 33/0809
40/406

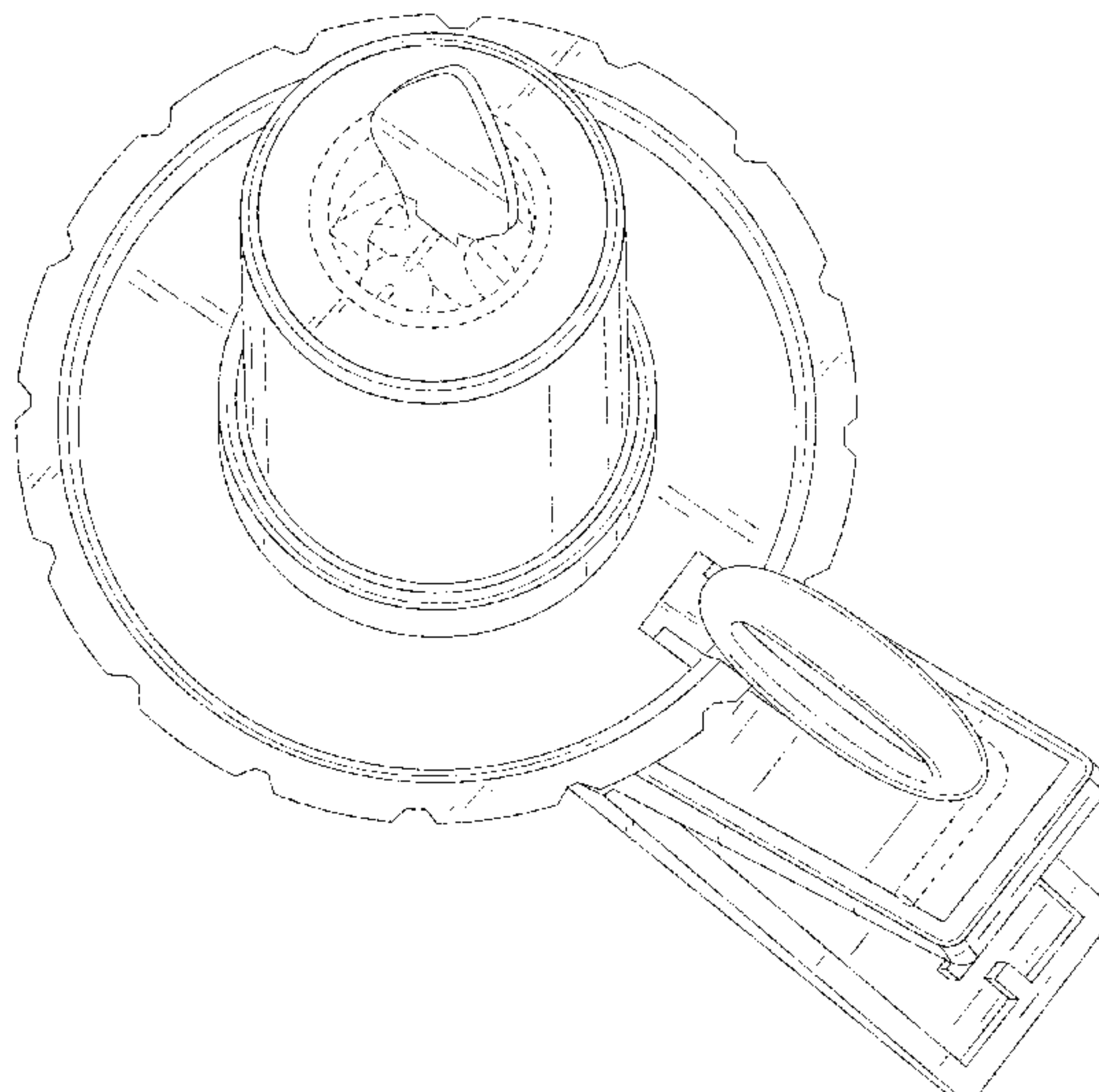
2,476,011 A * 7/1949 Wise A47G 33/06
428/7
D158,909 S * 6/1950 Suring D11/121
2,519,544 A * 8/1950 Churchill F21V 35/00
431/289
D178,721 S * 9/1956 Davis D11/121
2,782,296 A * 2/1957 Walter F21S 4/10
362/392
D204,898 S * 5/1966 Gross D26/10
3,462,235 A * 8/1969 Summers C11C 5/006
431/289
D260,381 S * 8/1981 Adkins D11/121
D430,319 S * 8/2000 Harris D11/121
D450,620 S * 11/2001 Simpson D11/121
D554,560 S * 11/2007 Tsai D11/117
D646,813 S * 10/2011 Boschetto D26/20

* cited by examiner
Primary Examiner — Elizabeth J Oswecki
(74) *Attorney, Agent, or Firm* — Perkins Coie LLP

(57) **CLAIM**
The ornamental design for a clip-on holiday ornament, as shown and described.

DESCRIPTION
FIG. 1 is an isometric view of a clip-on holiday ornament with electronic flame showing my new design;
FIG. 2 is a left side view of the clip-on holiday ornament of FIG. 1;
FIG. 3 is a right side view of the clip-on holiday ornament of FIG. 1;
FIG. 4 is a top view of the clip-on holiday ornament with electronic flame of FIG. 1; and,
FIG. 5 is a bottom view of the clip-on holiday ornament of FIG. 1.
The broken-line disclosure represents portions of the clip-on holiday ornament which form no part of the claimed design. All surfaces not shown form no part of the claimed design.

1 Claim, 4 Drawing Sheets



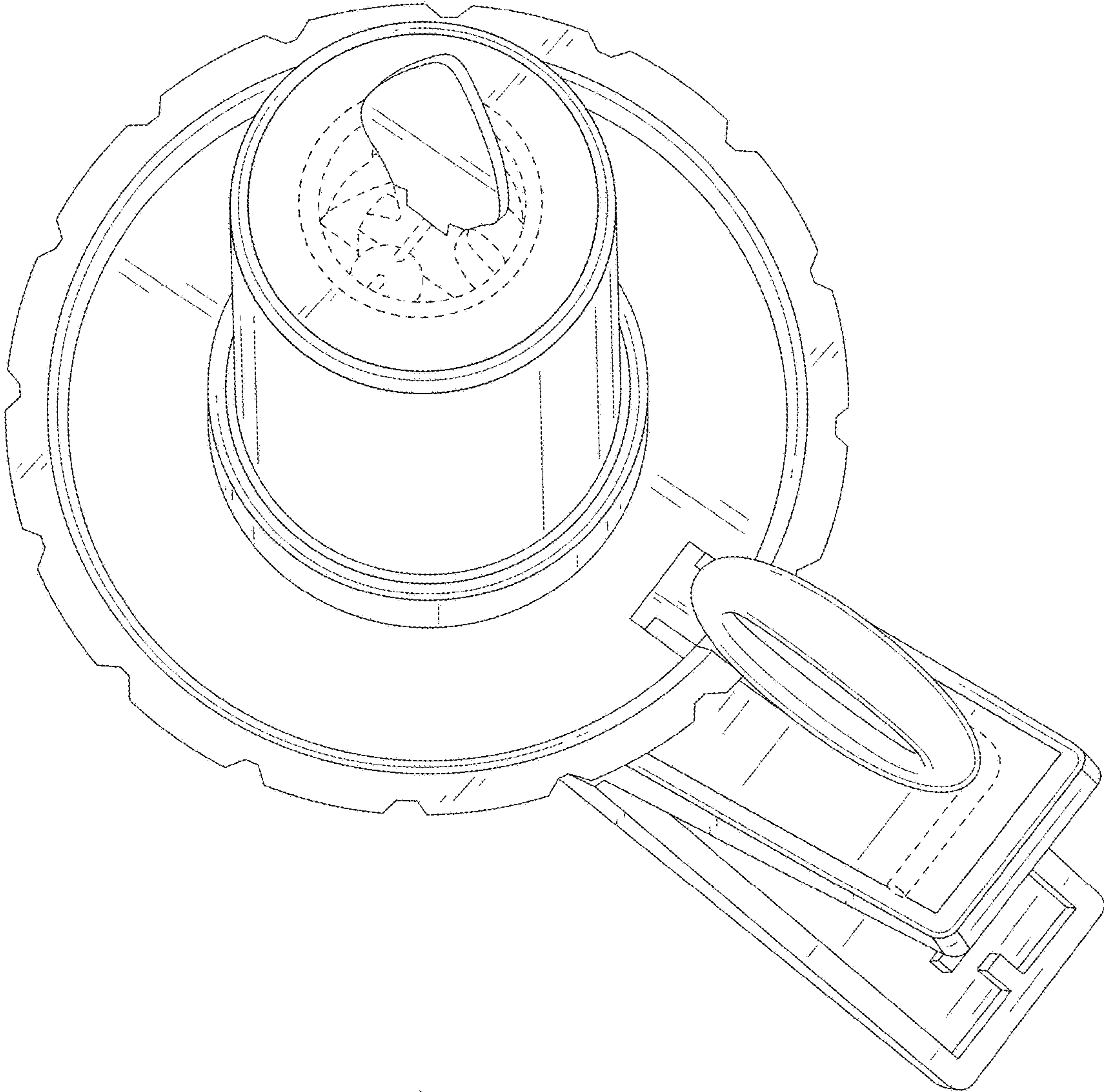


Fig. 1

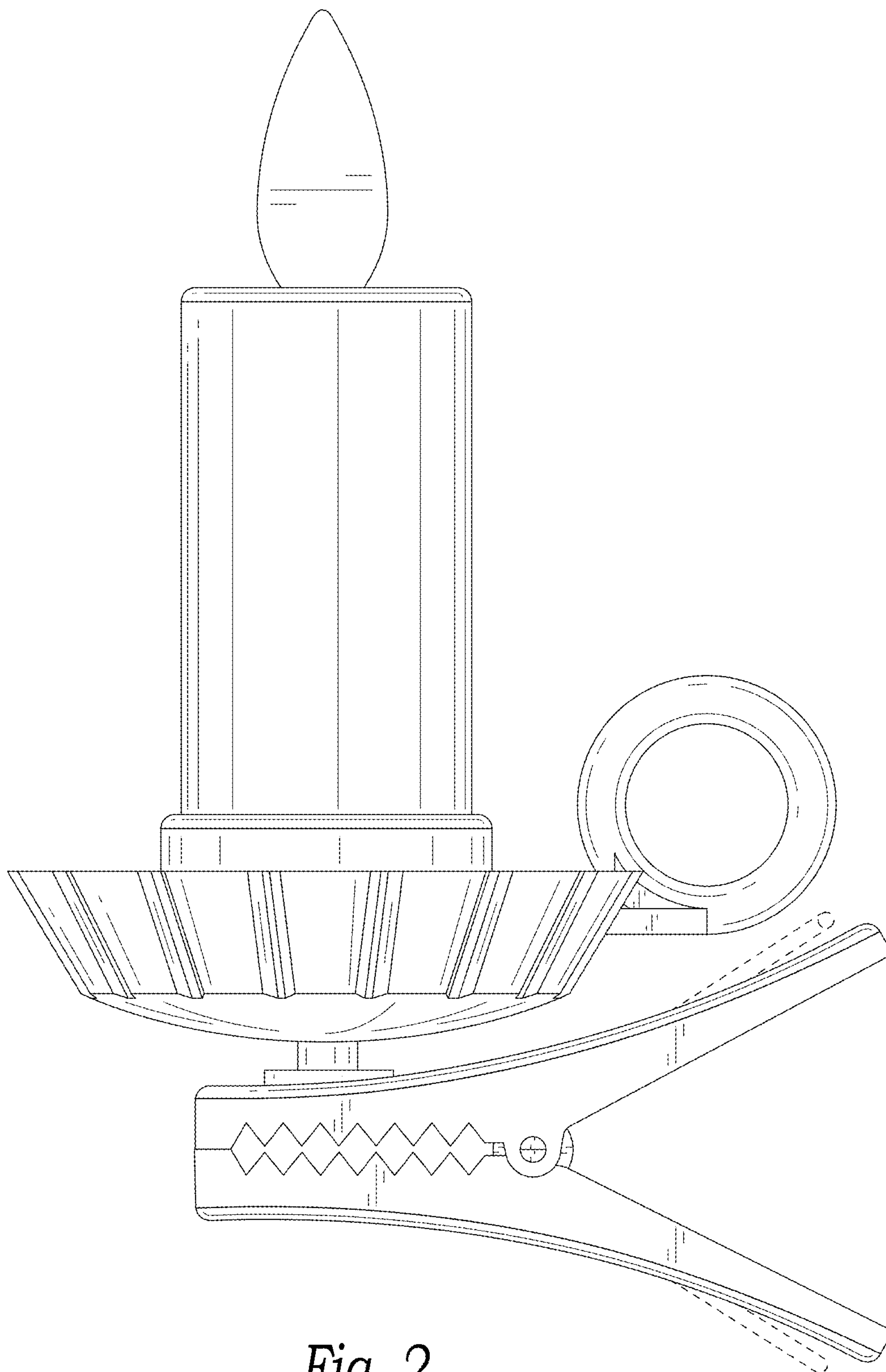


Fig. 2

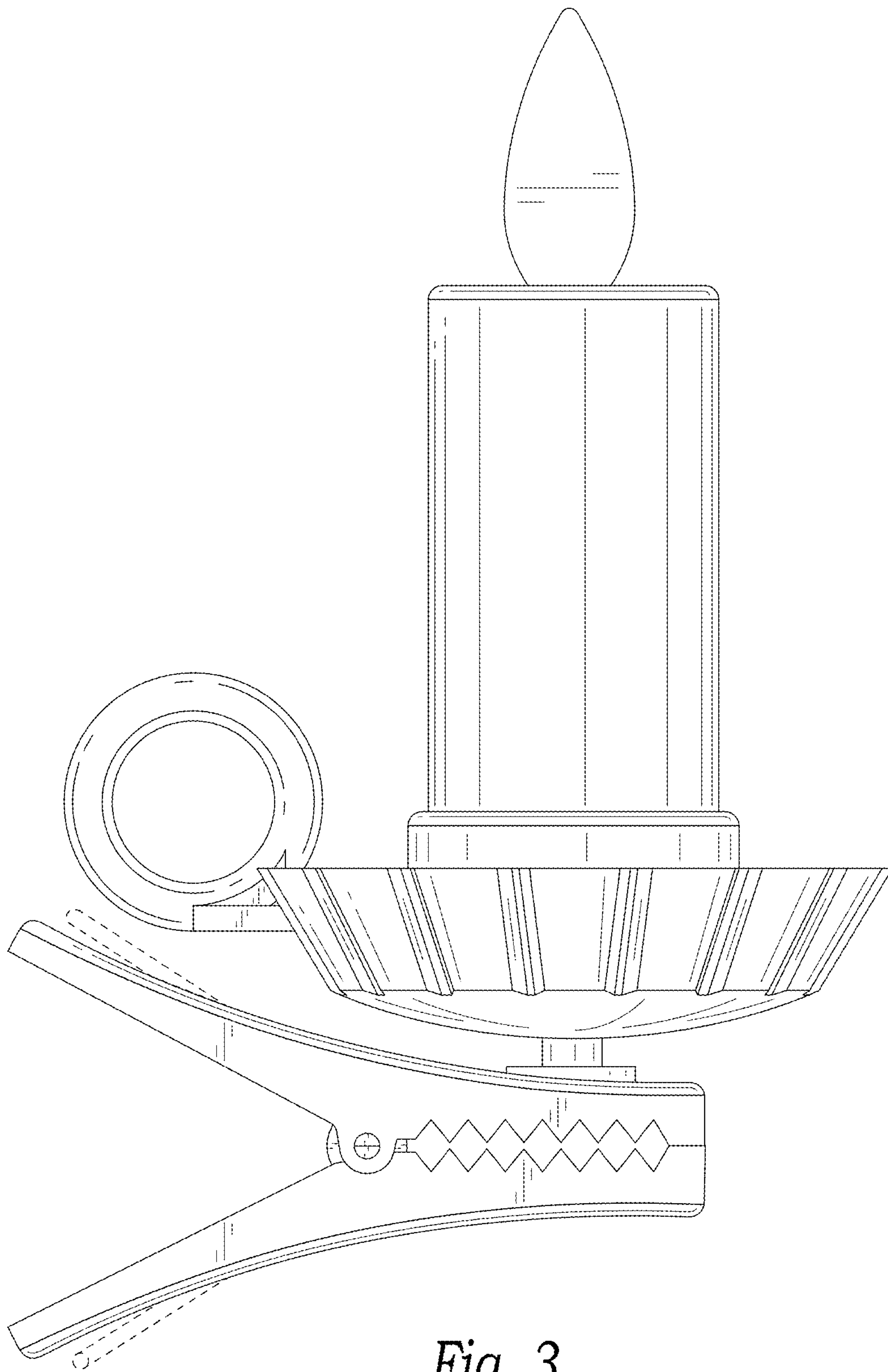


Fig. 3

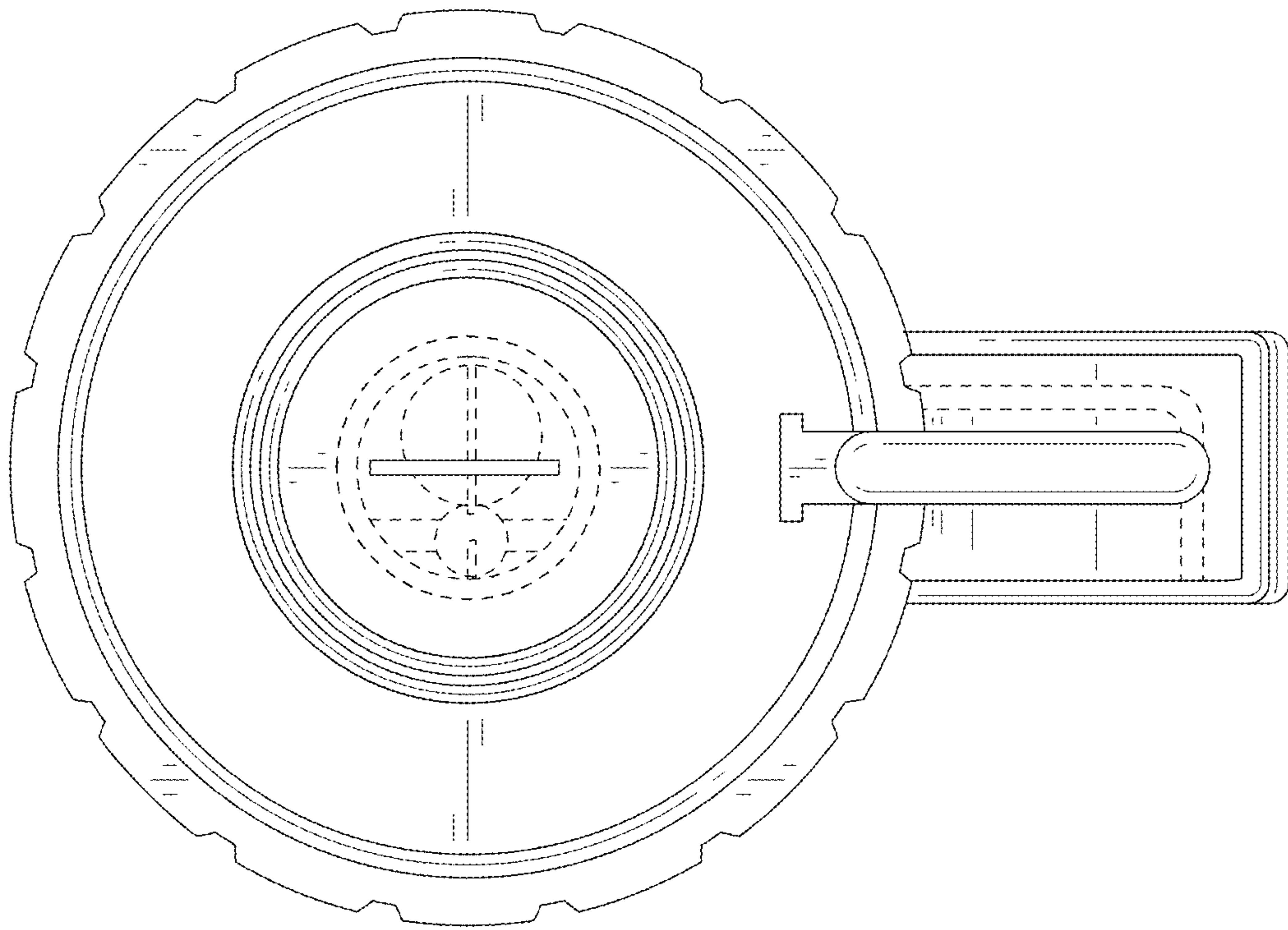


Fig. 4

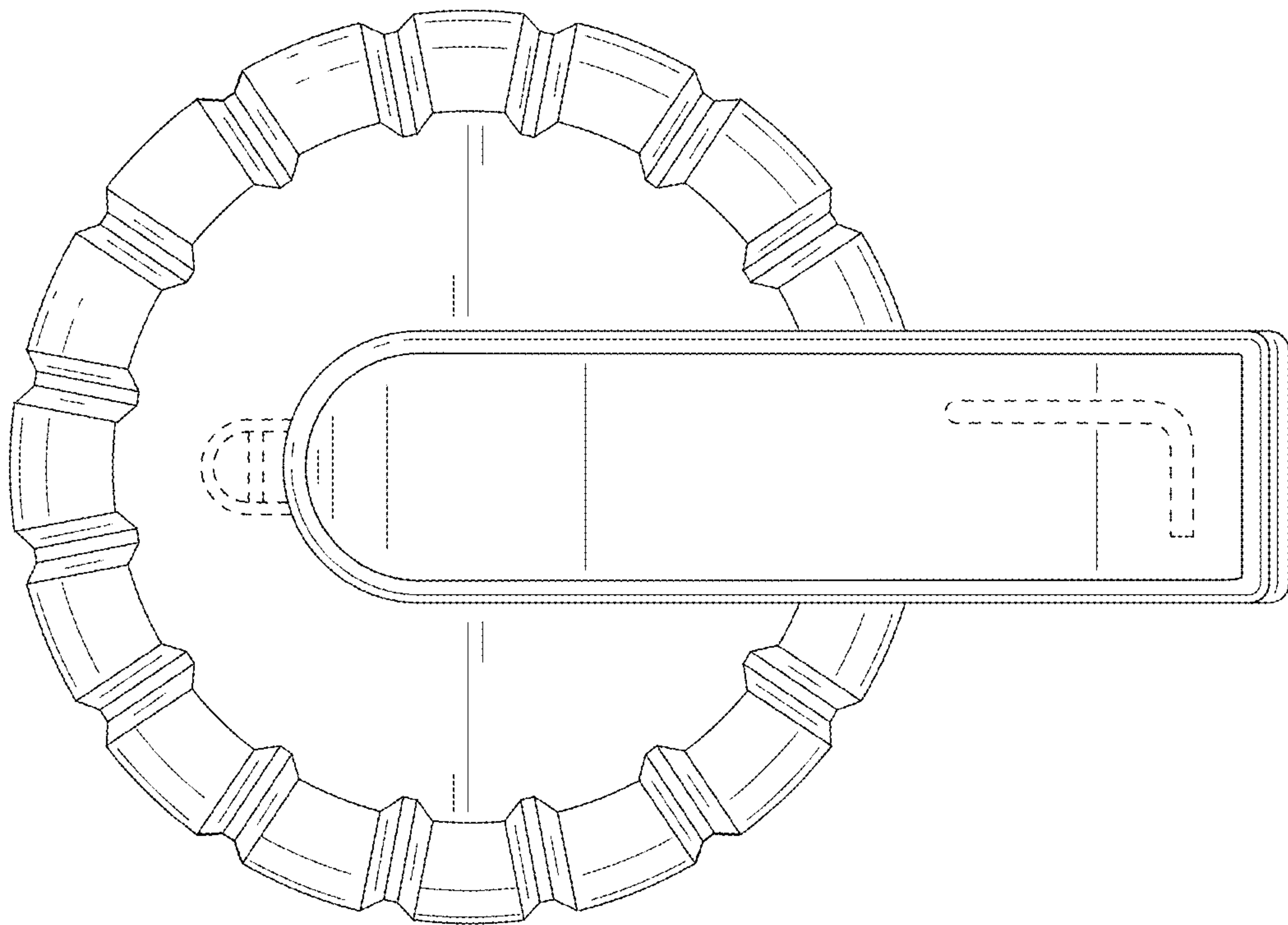


Fig. 5