

US00D795732S

(12) **United States Design Patent** (10) **Patent No.:** **US D795,732 S**
Rafaelian (45) **Date of Patent:** **** *Aug. 29, 2017**

(54) **BRACELET**

(71) Applicant: **Alex and Ani, LLC**, Cranston, RI (US)

(72) Inventor: **Carolyn A. Rafaelian**, Cranston, RI (US)

(73) Assignee: **Alex and Ani, LLC**, Cranston, RI (US)

(*) Notice: This patent is subject to a terminal disclaimer.

(**) Term: **15 Years**

(21) Appl. No.: **29/557,589**

(22) Filed: **Mar. 10, 2016**

(51) **LOC (10) Cl.** **11-01**

(52) **U.S. Cl.**
USPC **D11/5**

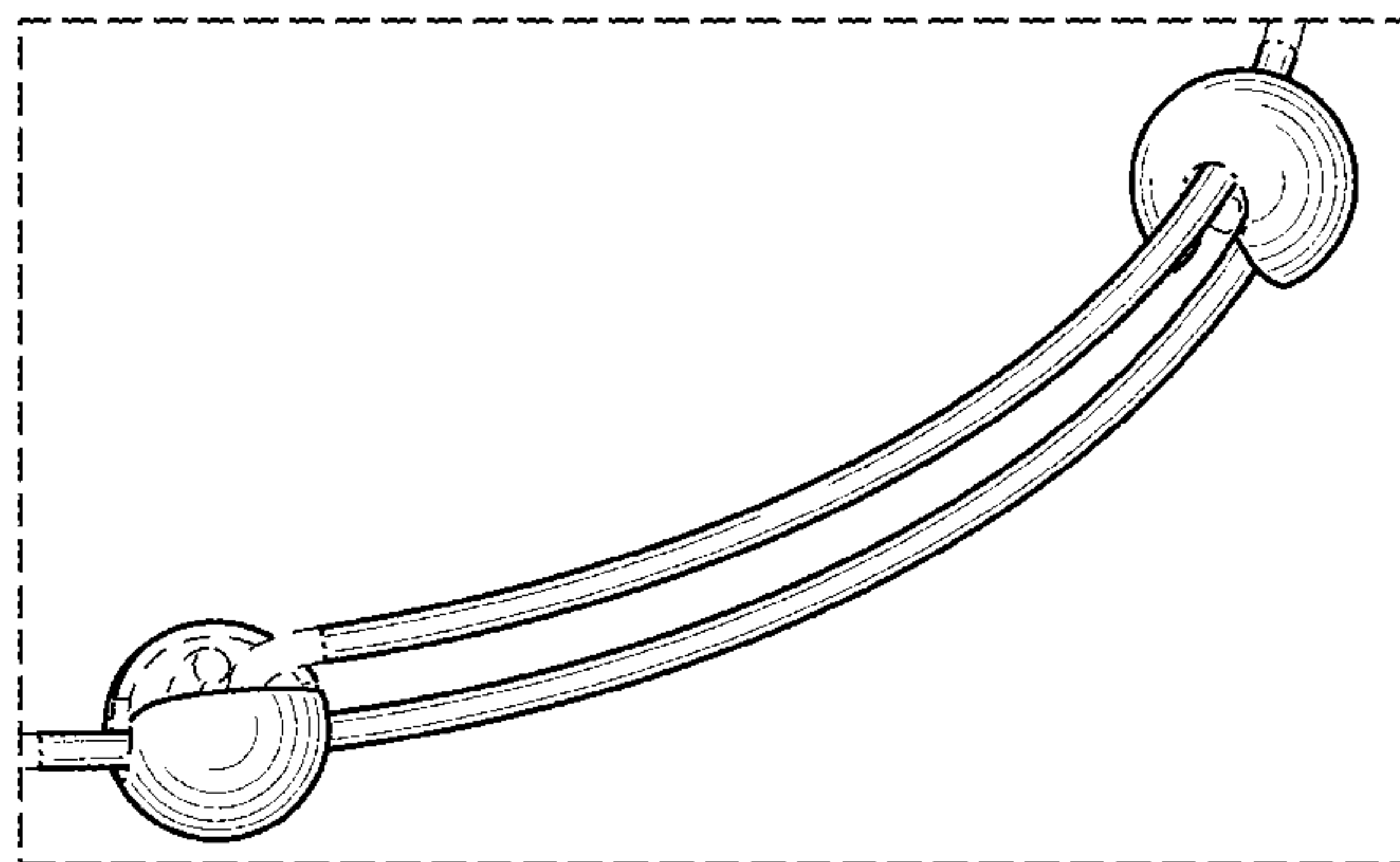
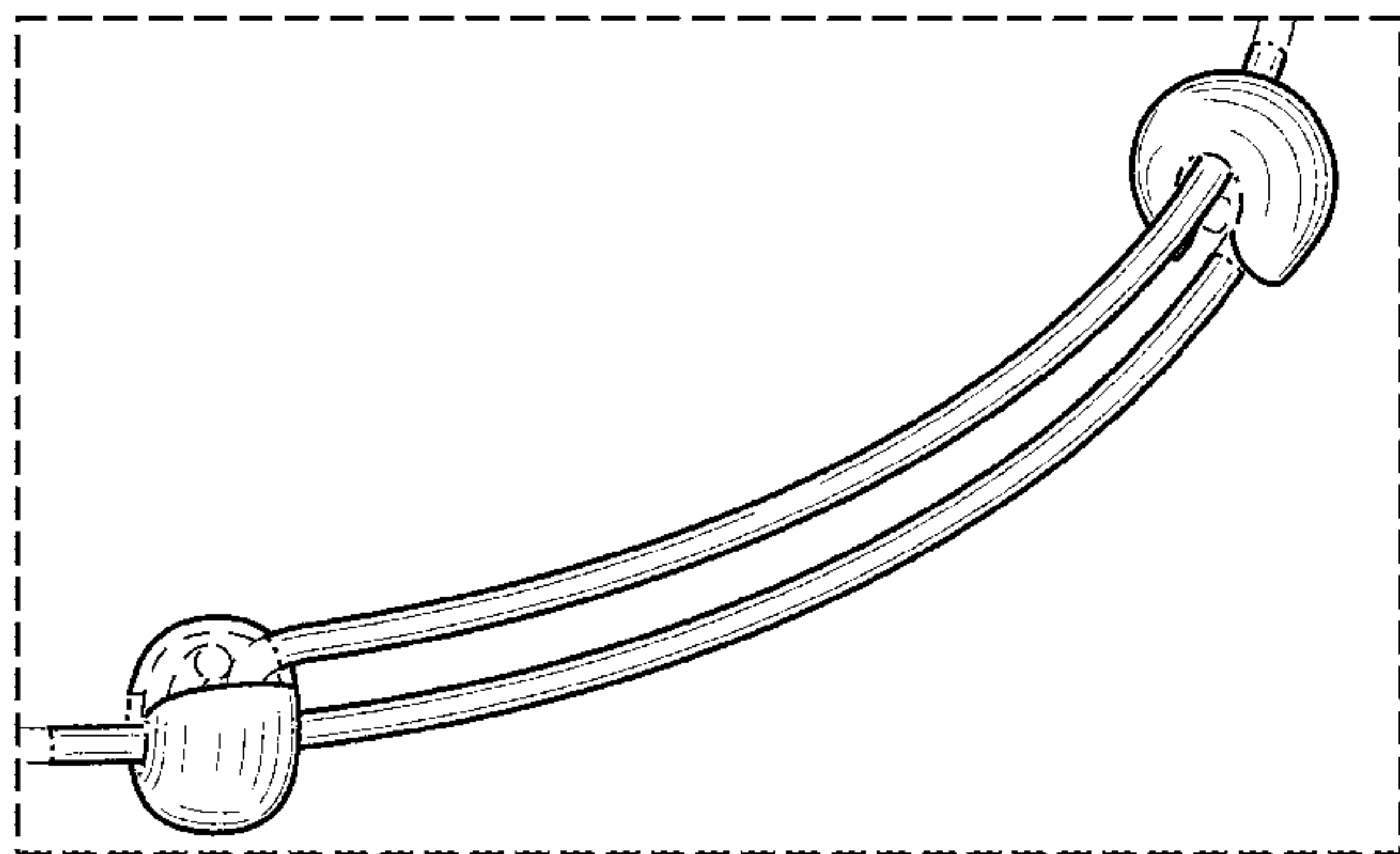
(58) **Field of Classification Search**
USPC D11/1-39; D28/41
CPC .. A44C 5/00; A44C 5/10; A44C 5/022; A44C 5/025; A44C 5/145; A44C 5/0007; A44C 5/0061; A44C 5/0076; A44C 5/0084; A44C 5/0092; A44C 5/2071; A44C 5/2085; A44C 9/0038; A44C 9/0053; A44C 17/02; A44C 5/0069; A44C 5/142
See application file for complete search history.

D268,013	S	2/1983	Stimmler	
D295,267	S	4/1988	Saraga	
5,247,814	A	9/1993	McDonald	
5,307,582	A	5/1994	Quintel	
D382,829	S	8/1997	Hoffman	
D439,192	S	3/2001	Ruscitti	
D472,177	S	3/2003	McCullough-McPherson	
6,564,582	B1	5/2003	Brachfeld	
D487,709	S	3/2004	Ferlise	
D498,167	S	11/2004	Ferlise	
D525,553	S	7/2006	Toupet	
D619,026	S	7/2010	Papadimitriou	
D658,085	S	4/2012	Rafaelian	
D658,086	S	4/2012	Rafaelian	
D658,087	S	4/2012	Rafaelian	
D658,088	S	4/2012	Rafaelian	
D658,089	S	4/2012	Rafaelian	
D658,528	S	5/2012	Rafaelian	
D662,849	S	7/2012	Rafaelian	
D663,232	S	7/2012	Rafaelian	
D663,233	S	7/2012	Rafaelian	
D664,466	S	7/2012	Rafaelian	
D669,115	S	* 10/2012	Kalbach	D16/339
D669,385	S	10/2012	Rafaelian	
D672,678	S	* 12/2012	Nadeau	D11/11
D678,102	S	3/2013	Rafaelian	
D686,520	S	7/2013	Rafaelian	
D700,860	S	3/2014	Nadeau	
D703,087	S	4/2014	Fiasconaro	
D703,088	S	4/2014	Fiasconaro	
D704,085	S	5/2014	DiPietro	
D704,086	S	* 5/2014	DiPietro	D11/5
D704,087	S	* 5/2014	DiPietro	D11/5
D706,665	S	6/2014	Goldwitz	
D707,149	S	6/2014	Ovadia	
D707,582	S	* 6/2014	DiPietro	D11/5
D708,088	S	7/2014	DeCristofaro	
D709,789	S	* 7/2014	Soares	D11/5
8,769,986	B1	* 7/2014	DiPietro	A44C 25/007 63/3.1
RE45,079	E	8/2014	Ferlise	
D710,738	S	* 8/2014	Kim	D11/4
D716,175	S	10/2014	Rosenel	
D724,470	S	3/2015	Rafaelian	
D724,471	S	3/2015	Blondet	
D724,472	S	3/2015	Blondet	
D724,473	S	3/2015	Blondet	
D724,474	S	3/2015	Blondet	
D724,475	S	3/2015	Lux	
D724,985	S	3/2015	Blondet	
D724,986	S	3/2015	Blondet	
D729,101	S	5/2015	Rafaelian	
D738,773	S	9/2015	Rafaelian	

(56) **References Cited**

U.S. PATENT DOCUMENTS

118,294	A	8/1871	Stevens
D14,438	S	11/1883	Ahn
393,239	A	11/1888	Johnstone
421,615	A	2/1890	Riker
933,303	A	5/1911	Kirby
1,124,518	A	1/1915	Qvarnstrom
D69,012	S	12/1925	Dalin
2,462,425	A	2/1949	Pratt et al.
D224,257	S	7/1972	Lee
D245,834	S	9/1977	Wilbert
4,321,804	A	3/1982	Borofsky et al.
4,334,413	A	6/1982	Gaston et al.
D267,159	S	12/1982	Borofsky



9,301,580 B1 4/2016 Rafaelian
 2007/0022778 A1 2/2007 Ferlise
 2014/0090215 A1 4/2014 Lixenberg

FOREIGN PATENT DOCUMENTS

CA	154431	10/2014
CA	160435	3/2016
EP	1 038 463 A1	9/2000
GB	233872 A	5/1925
JP	1177437 S	6/2003
JP	1268404 S	4/2006
JP	1496501 S	5/2014
KR	3008138520000	9/2005

OTHER PUBLICATIONS

Hinks, Victorian Jewellery. pp. 41, 97, 200, 201, 204. 1991. 6 pages.
 [No Author Listed] Illustrated Jewelry Catalog 1892. The New England Jeweler. 1998; p. 52.
 [No Author Listed] How to make a sliding adjustable necklace. Rings & Things Jewelry Making Blog. Jun. 2011. <http://www.rings-things.com/blog/2011/06/23/how-to-make-a-sliding-adjustable-necklace/> [accessed Dec. 12, 2014]. 3 pages.
 [No Author Listed] Rings & Things Blog. Jun. 23, 2011. <http://www.rings-things.com/blog/2011/06/#.VDRi6fldUWY>. 1 page.
 [No Author Listed] Sterling Silver Black Leather Expandable Cord Bracelet #312709—IceCarats. <http://www.icecarats.com/sterling-silver-black-leather-expandable-cord-bracelet-312709...> [accessed Dec. 12, 2014]. 4 pages.
 [No Author Listed] Sterling Silver Claddagh Baby Childrens Bracelet Expandable 6.5 in. BlingJewelry.com http://www.blingjewelry.com/bling-jewelry-sterling-silver-claddagh-baby-childrens-bangle-bracelet-expandable.html?gclid=CjwKEAjwns6hBRDTpb_jkbTvIUYSJACBhberDYKsTmUeeLzKQhqmXJpCt5R0FaU0vmR0fDty1GSrBoCwDPw_wcB [Accessed Aug. 5, 2016]. 3 pages.
 [No Author Listed] Sterling Silver Claddagh Baby Childrens Bracelet Expandable 6.5 in. http://www.blingjewelry.com/bling-jewelry-sterling-silver-claddagh-baby-childrens-bangle-bracelet-expandable.html?gclid=CjwKEAjwns6hBRDTpb_jkbTvIUYSJACBhberDYKsTmUeeLzKQhqmXJpCt5R0FaU0vmR0fDty1GSrBoCwDPw_wcB [Accessed at least as early as Aug. 10, 2015]. 1 page.
 [No Author Listed] Sterling Silver Adjustable “Live Laugh Love” Graffiti Charm Bangle Bracelet. Webpage from Oct. 14, 2016. <https://amzn.com/B00M1OMAH4>.

* cited by examiner

Primary Examiner — Garth Rademaker
Assistant Examiner — Richard Kearney
 (74) *Attorney, Agent, or Firm* — Merchant & Gould P.C.

(57) **CLAIM**

The ornamental design for a bracelet, as shown and described.

DESCRIPTION

FIG. 1 is a top, front, left side, perspective view of a bracelet showing a first embodiment of our new design;

FIG. 2 is an enlarged fragmentary view showing a portion of FIG. 1;
 FIG. 3 is a top, front, right side, perspective view of the bracelet;
 FIG. 4 is an enlarged fragmentary view showing a portion of FIG. 3;
 FIG. 5 is a top plan view of the bracelet;
 FIG. 6 is an enlarged fragmentary view showing a portion of FIG. 5;
 FIG. 7 is a front elevation view of the bracelet;
 FIG. 8 is an enlarged fragmentary view showing a portion of FIG. 7;
 FIG. 9 is a rear elevation view of the bracelet;
 FIG. 10 is an enlarged fragmentary view showing a portion of FIG. 9;
 FIG. 11 is a right side elevation view of the bracelet;
 FIG. 12 is an enlarged fragmentary view showing a portion of FIG. 11;
 FIG. 13 is a left side elevation view of the bracelet;
 FIG. 14 is an enlarged fragmentary view showing a portion of FIG. 13;
 FIG. 15 is a bottom plan view of the bracelet;
 FIG. 16 is an enlarged fragmentary view showing a portion of FIG. 15;
 FIG. 17 is a top, front, left side, perspective view showing a second embodiment thereof;
 FIG. 18 is an enlarged fragmentary view showing a portion of FIG. 17;
 FIG. 19 is a top, front, right side, perspective view of FIG. 17;
 FIG. 20 is an enlarged fragmentary view showing a portion of FIG. 19;
 FIG. 21 is a top plan view of FIG. 17;
 FIG. 22 is an enlarged fragmentary view showing a portion of FIG. 21;
 FIG. 23 is a front elevation view of FIG. 17;
 FIG. 24 is an enlarged fragmentary view showing a portion of FIG. 23;
 FIG. 25 is a rear elevation view of FIG. 17;
 FIG. 26 is an enlarged fragmentary view showing a portion of FIG. 25;
 FIG. 27 is a right side elevation view of FIG. 17;
 FIG. 28 is an enlarged fragmentary view showing a portion of FIG. 27;
 FIG. 29 is a left side elevation view showing a portion of FIG. 17;
 FIG. 30 is an enlarged fragmentary view showing a portion of FIG. 29;
 FIG. 31 is a bottom plan view of FIG. 17; and,
 FIG. 32 is an enlarged fragmentary view showing a portion of FIG. 31.
 The dash-dash broken lines represent portions of the bracelet that form no part of the claimed design. The dot-dash broken lines represent boundaries of the claimed design and form no part of the claimed design.

1 Claim, 12 Drawing Sheets

FIG. 1

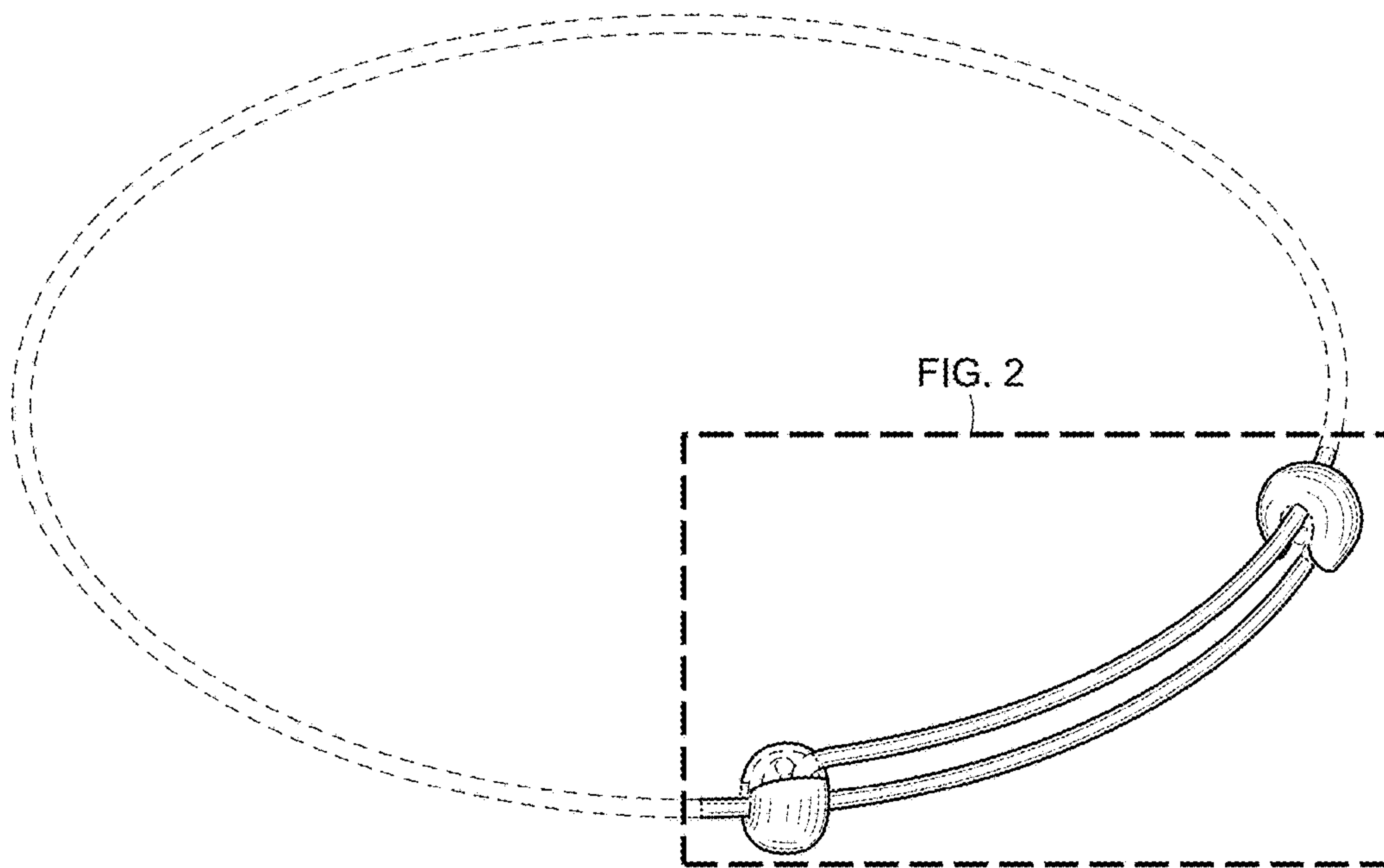


FIG. 2

FIG. 2

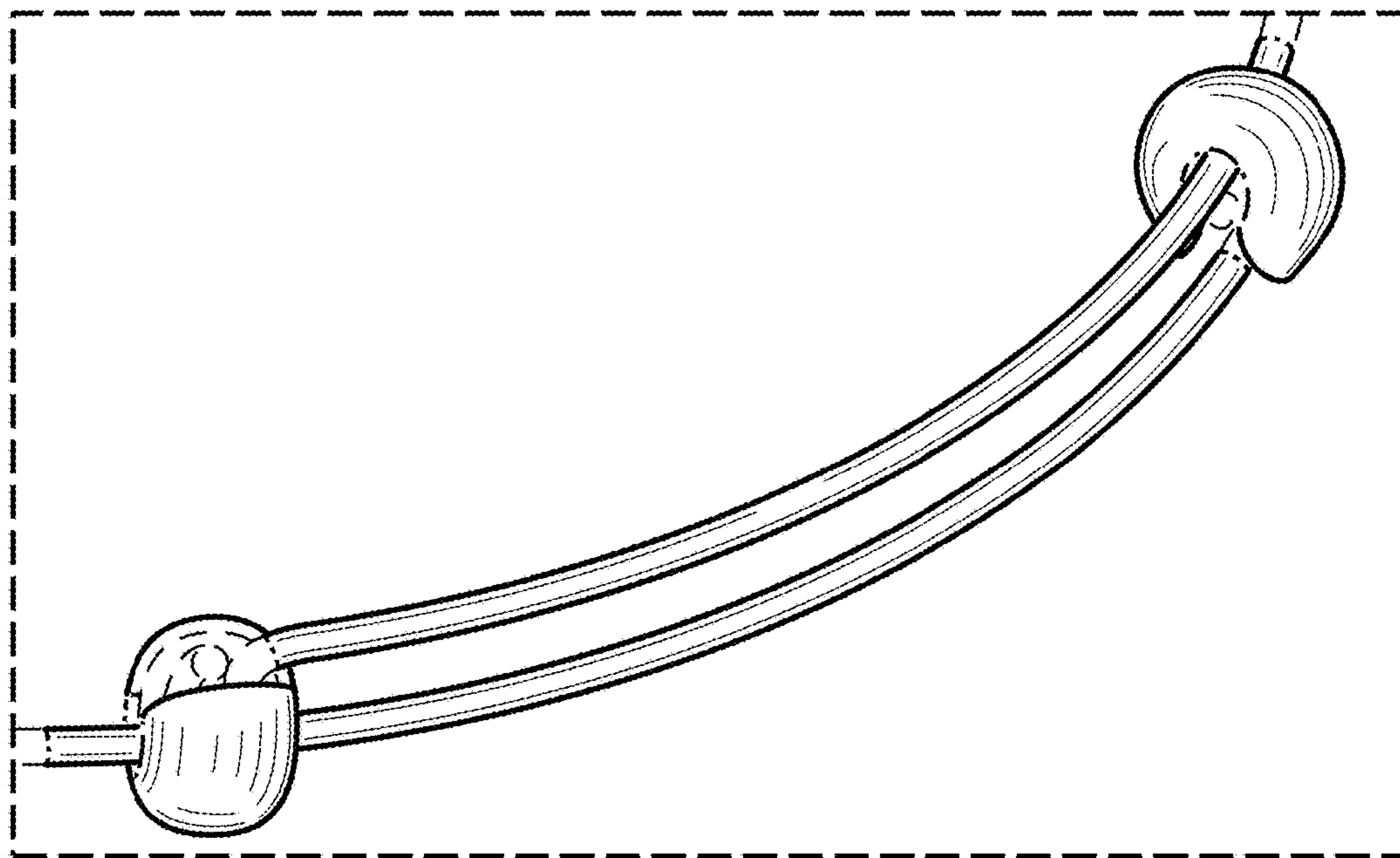


FIG. 3

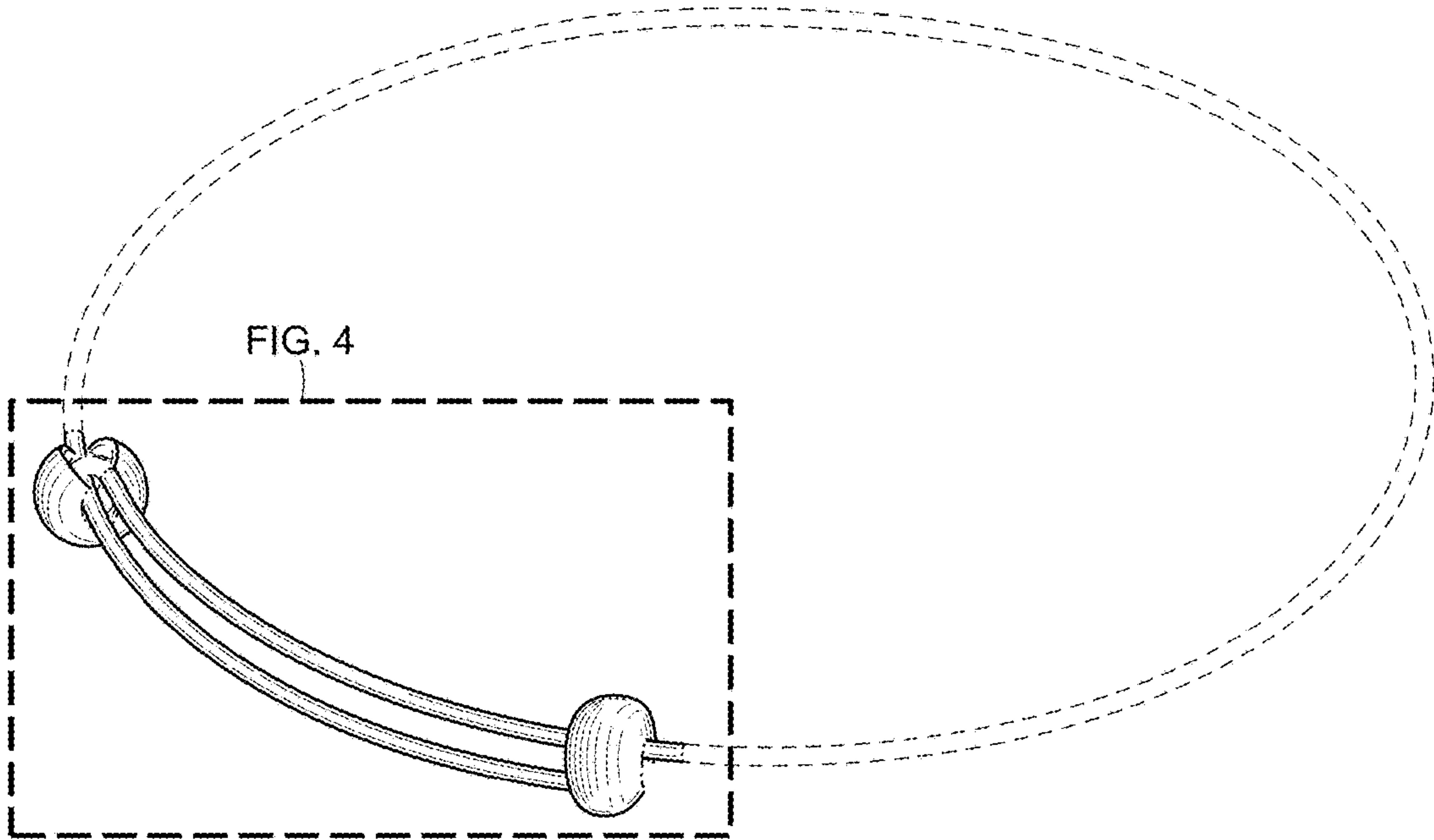


FIG. 4

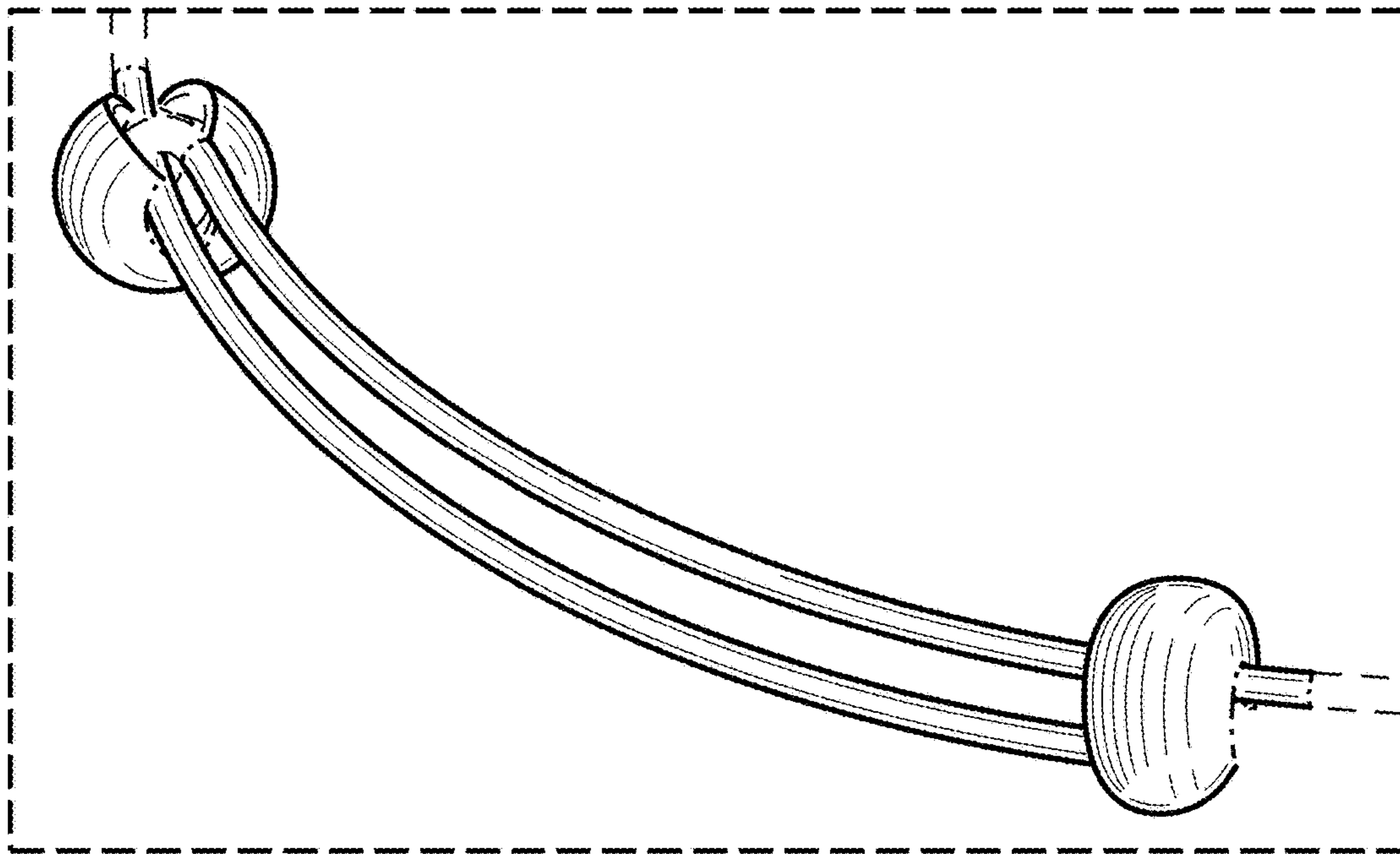


FIG. 5

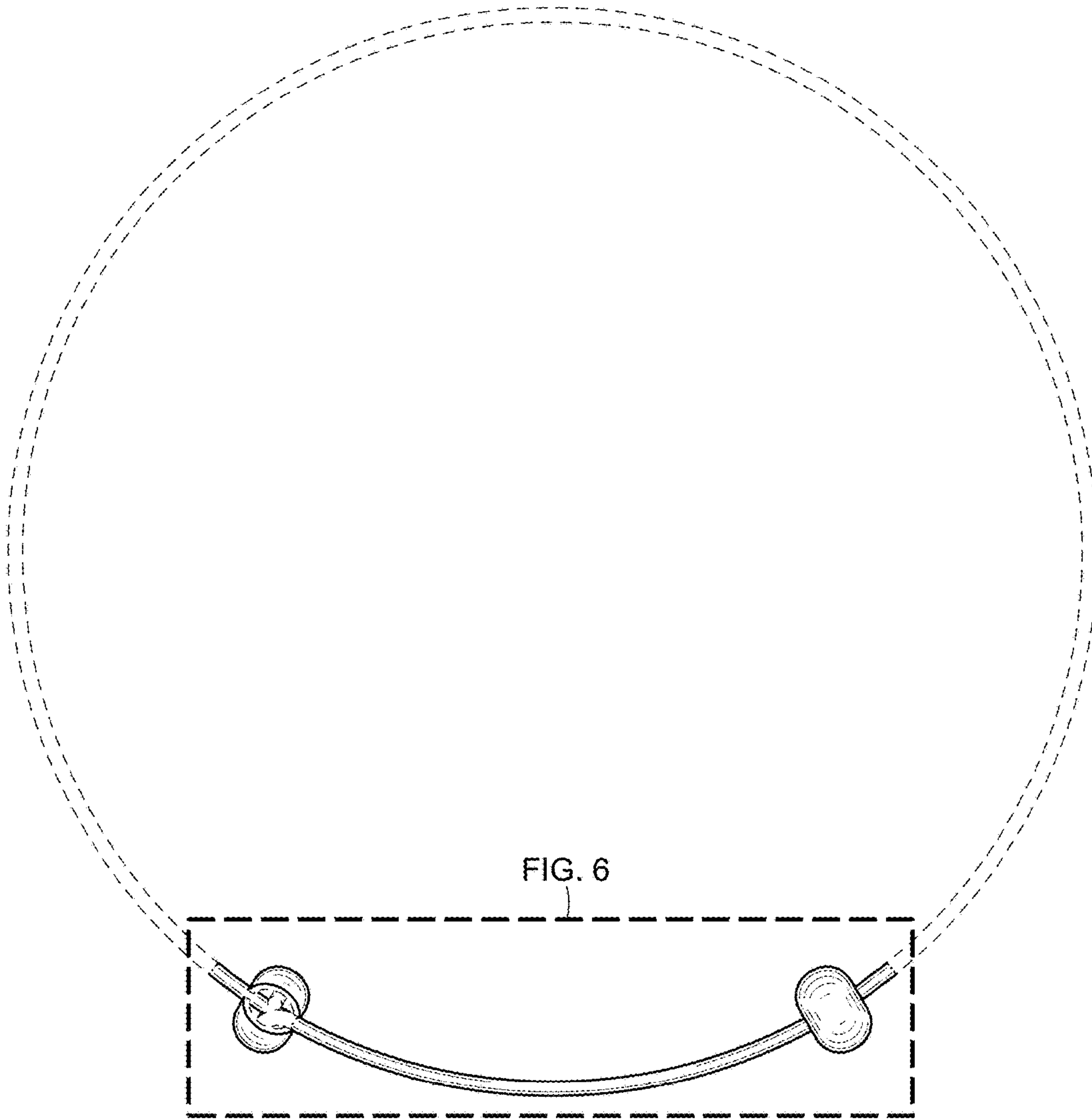


FIG. 6

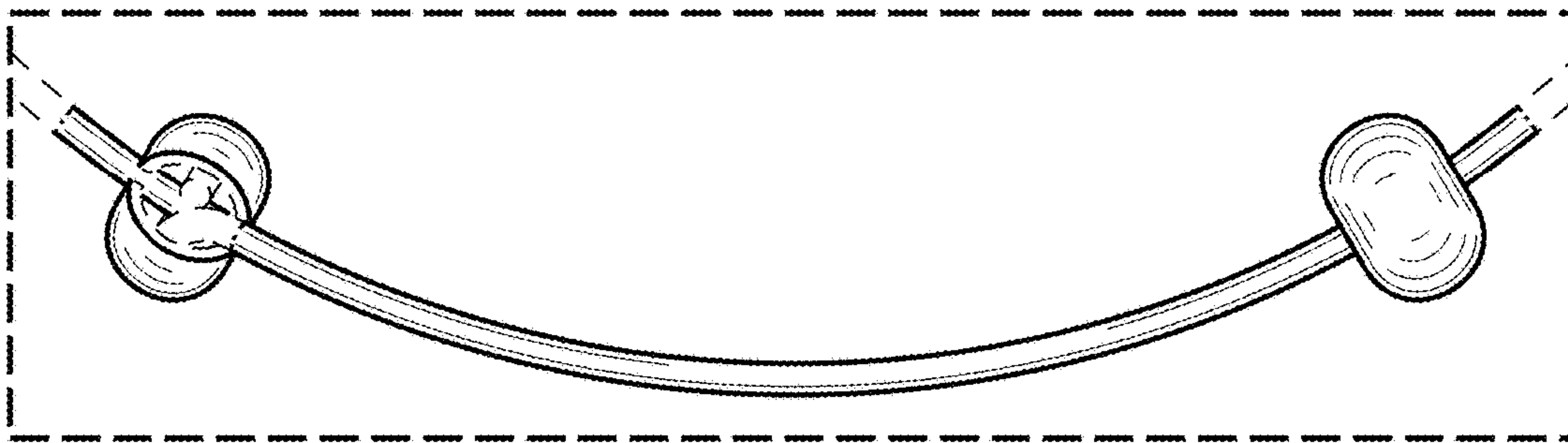


FIG. 7

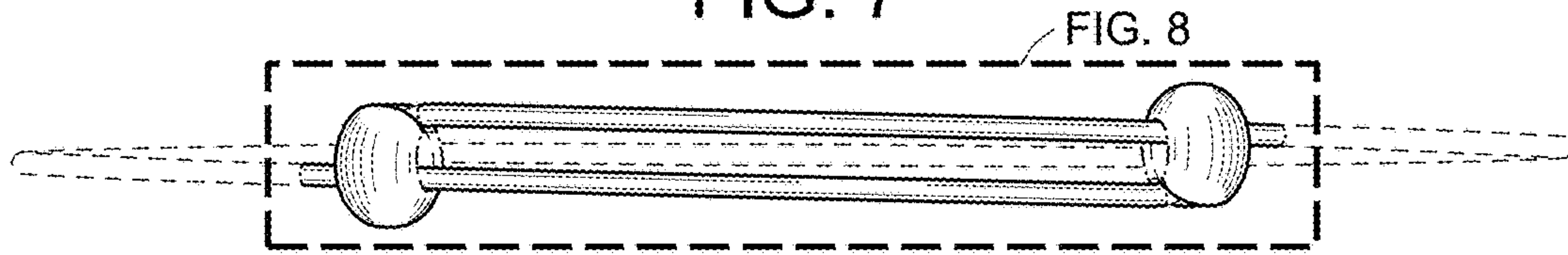


FIG. 8

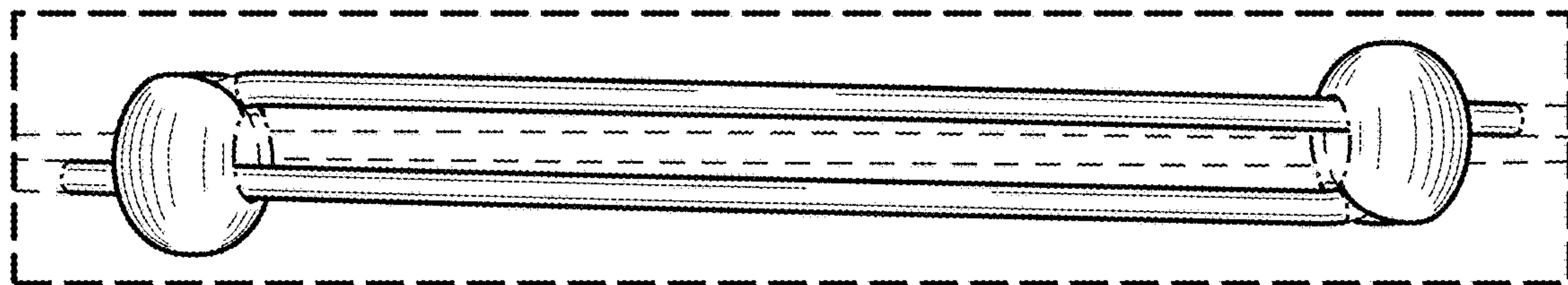


FIG. 9

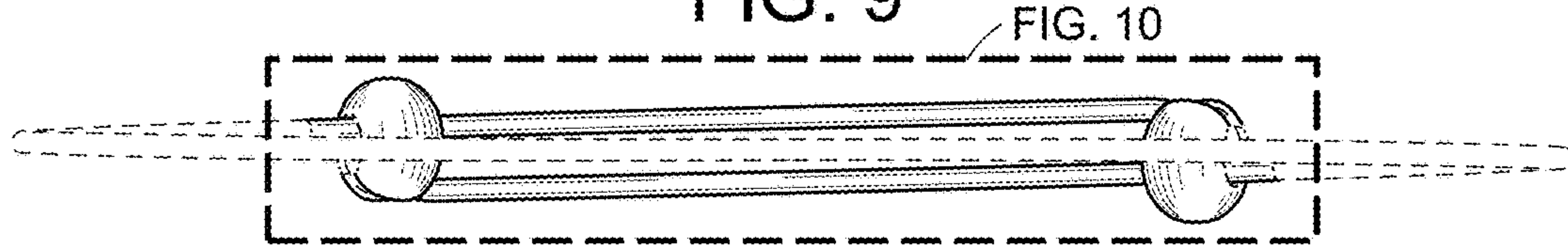


FIG. 10

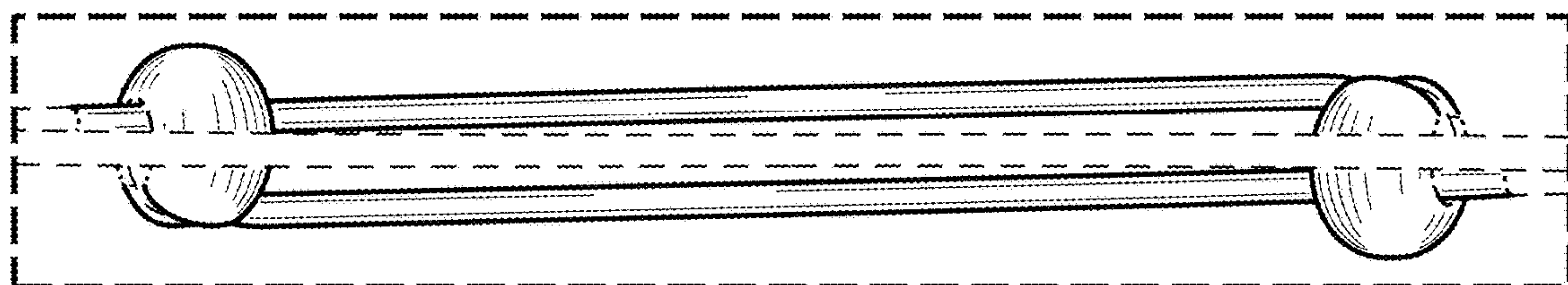


FIG. 12

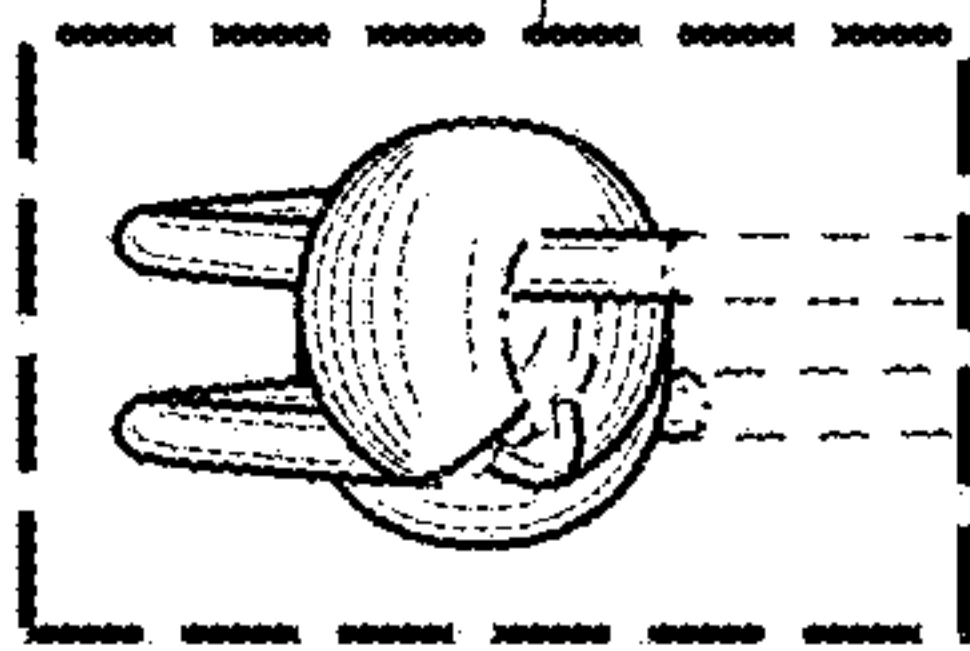


FIG. 11



FIG. 12

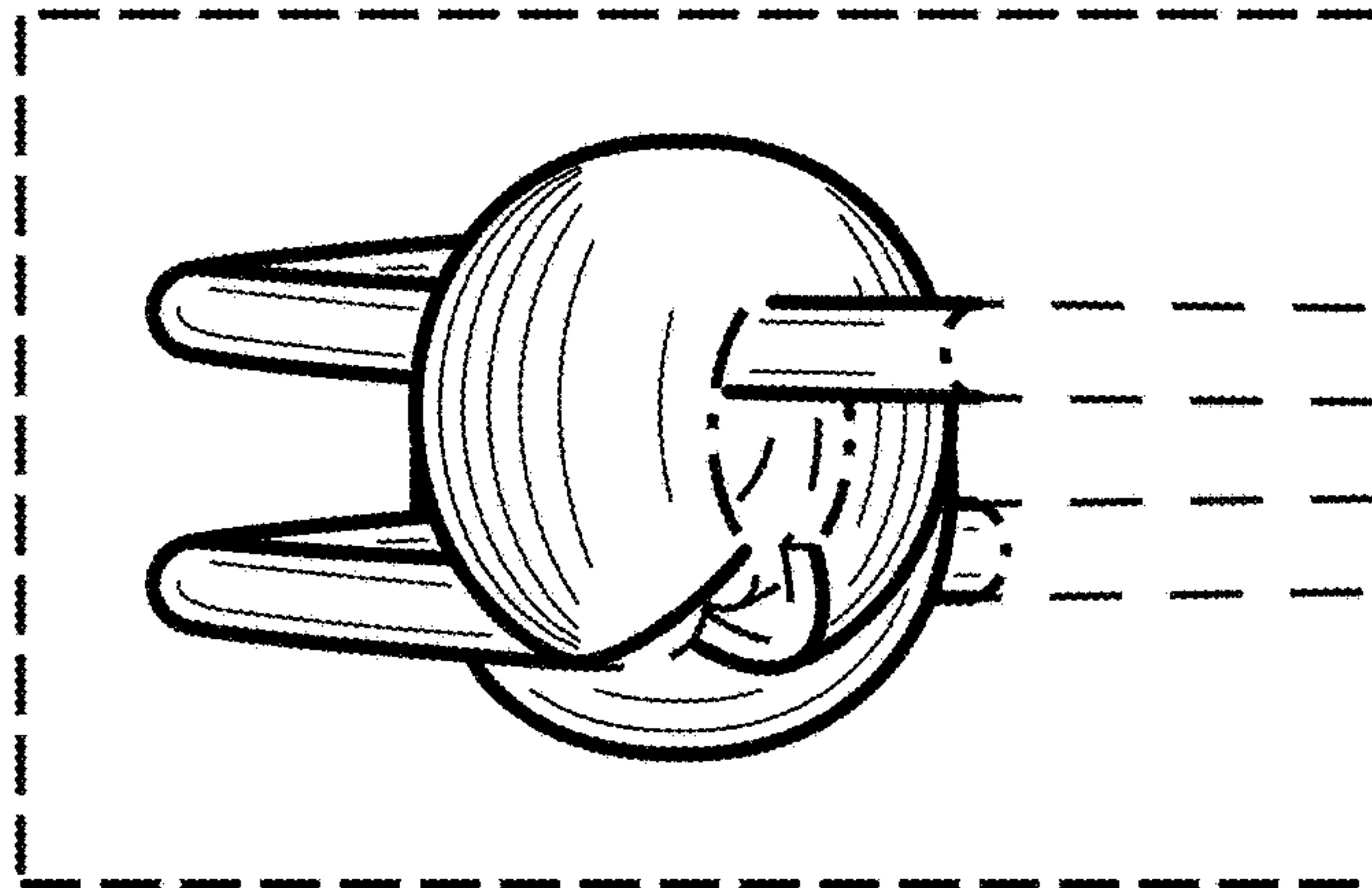


FIG. 13

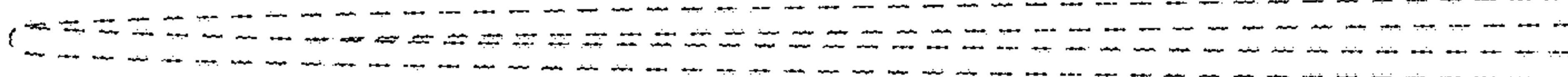


FIG. 14

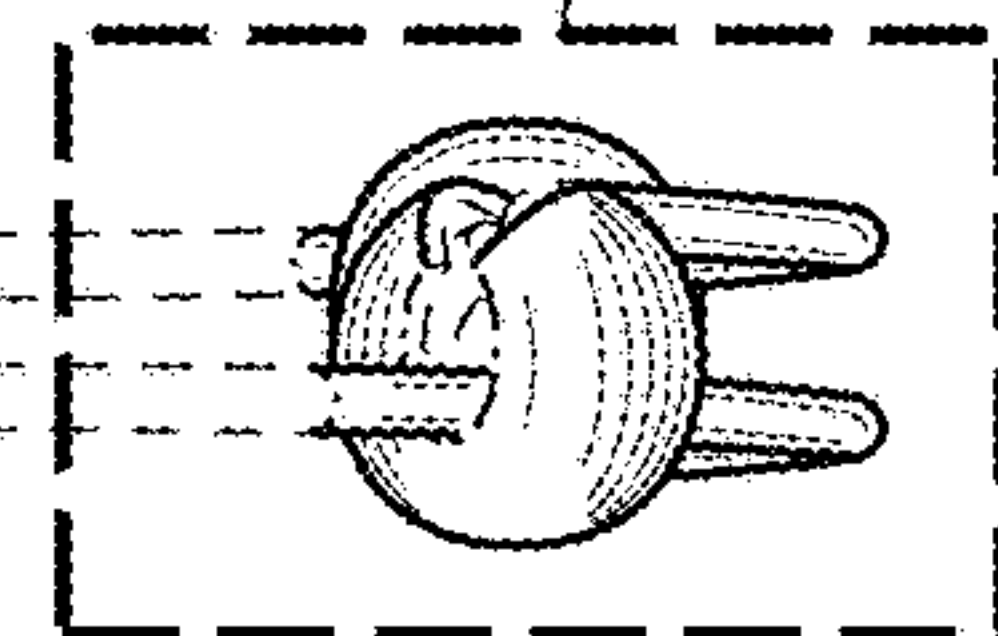


FIG. 14

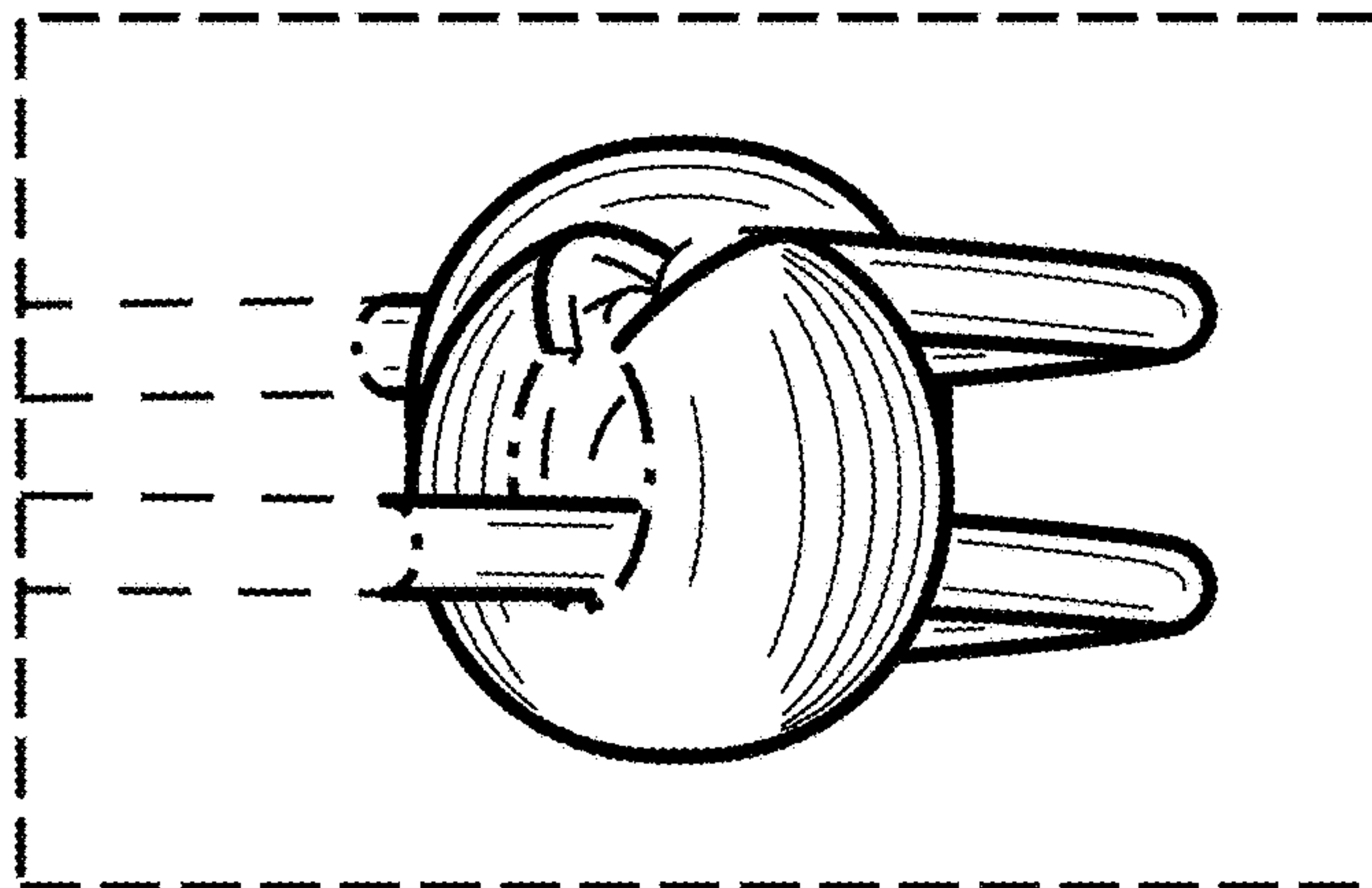


FIG. 15

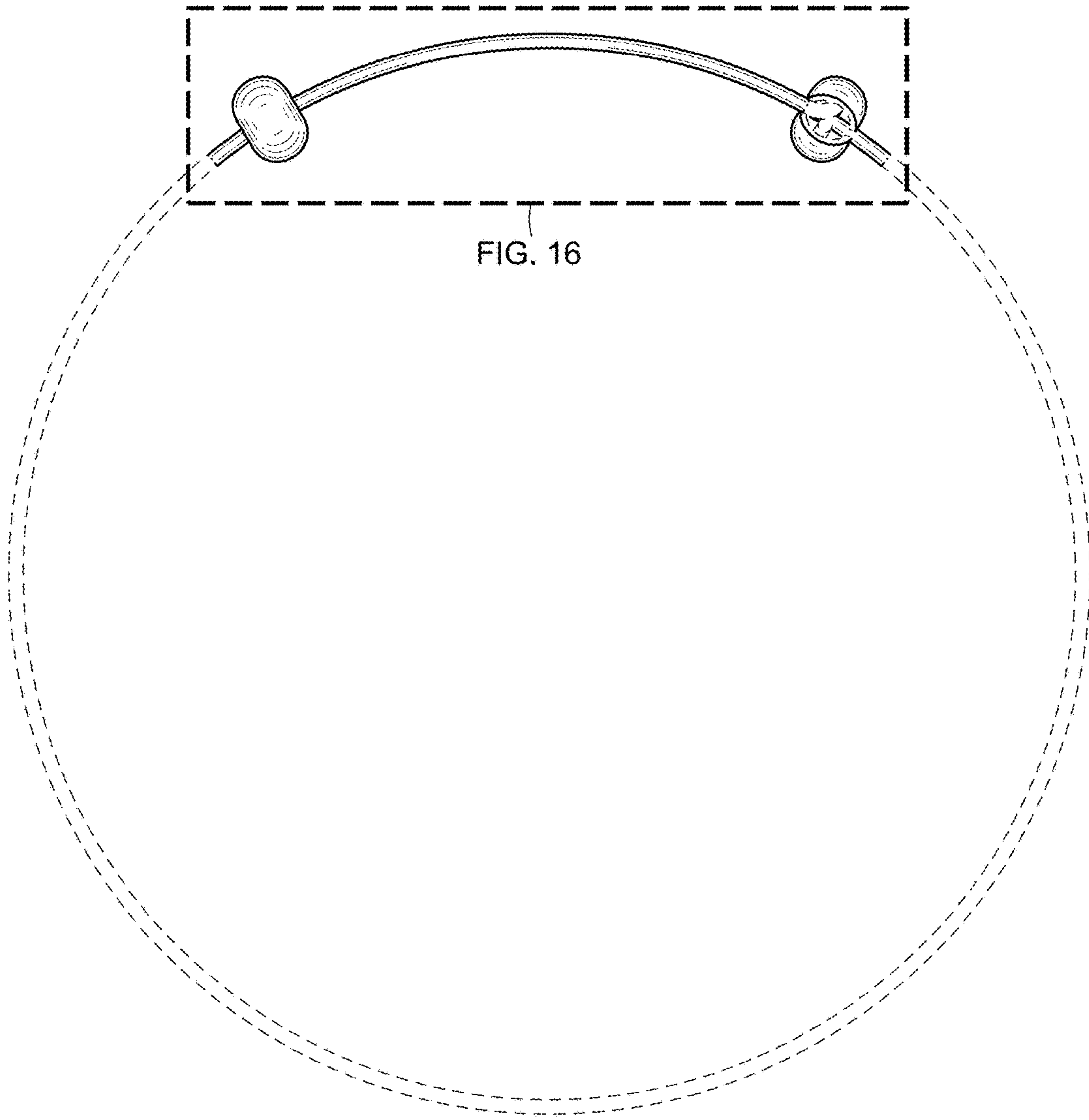


FIG. 16

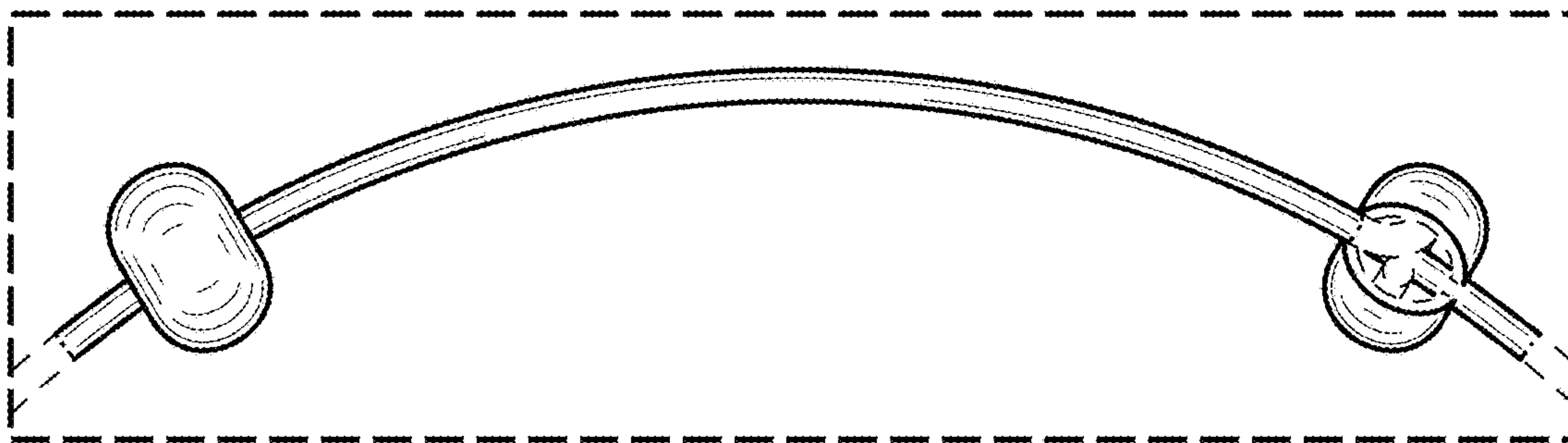


FIG. 17

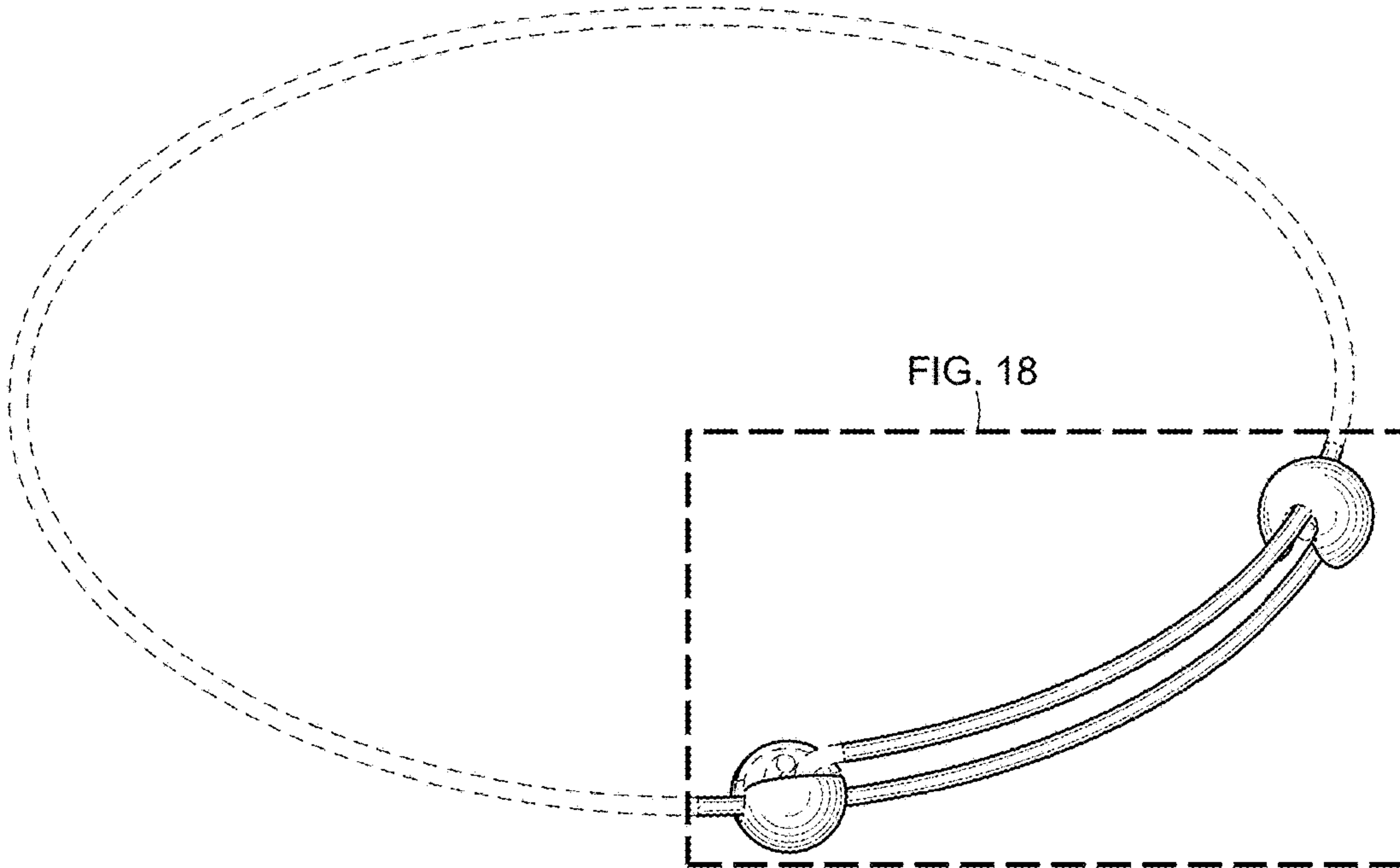


FIG. 18

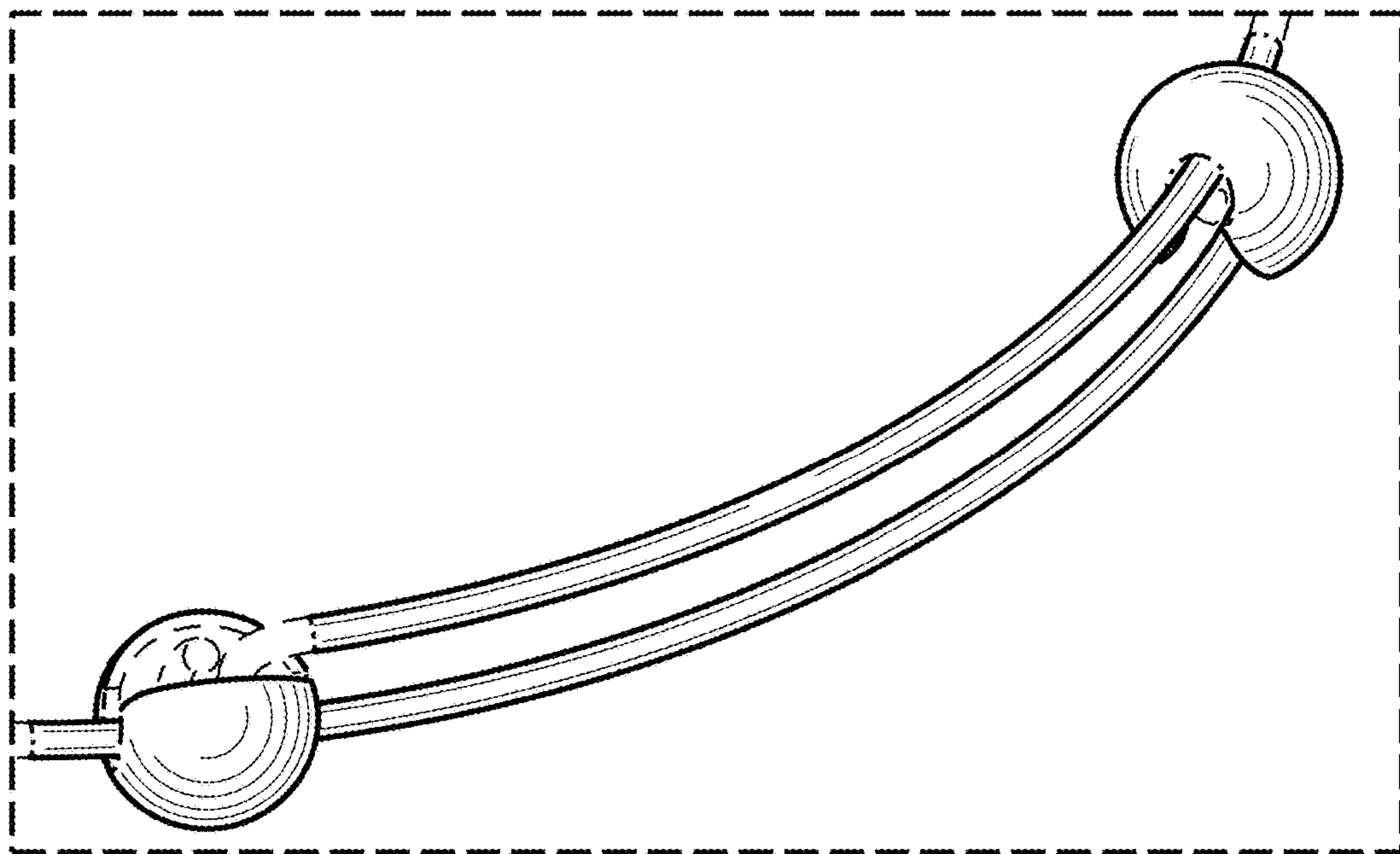


FIG. 19

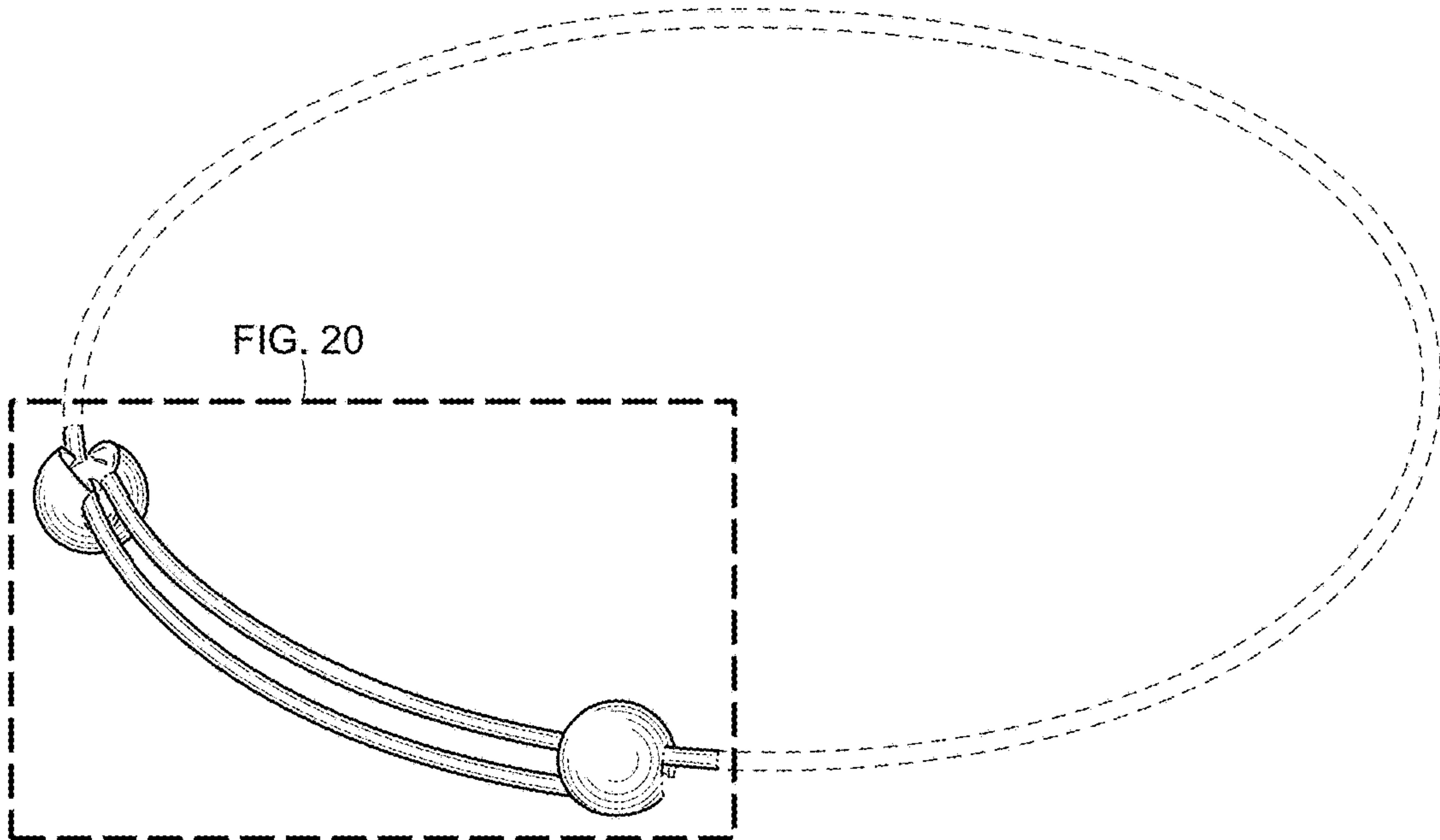


FIG. 20

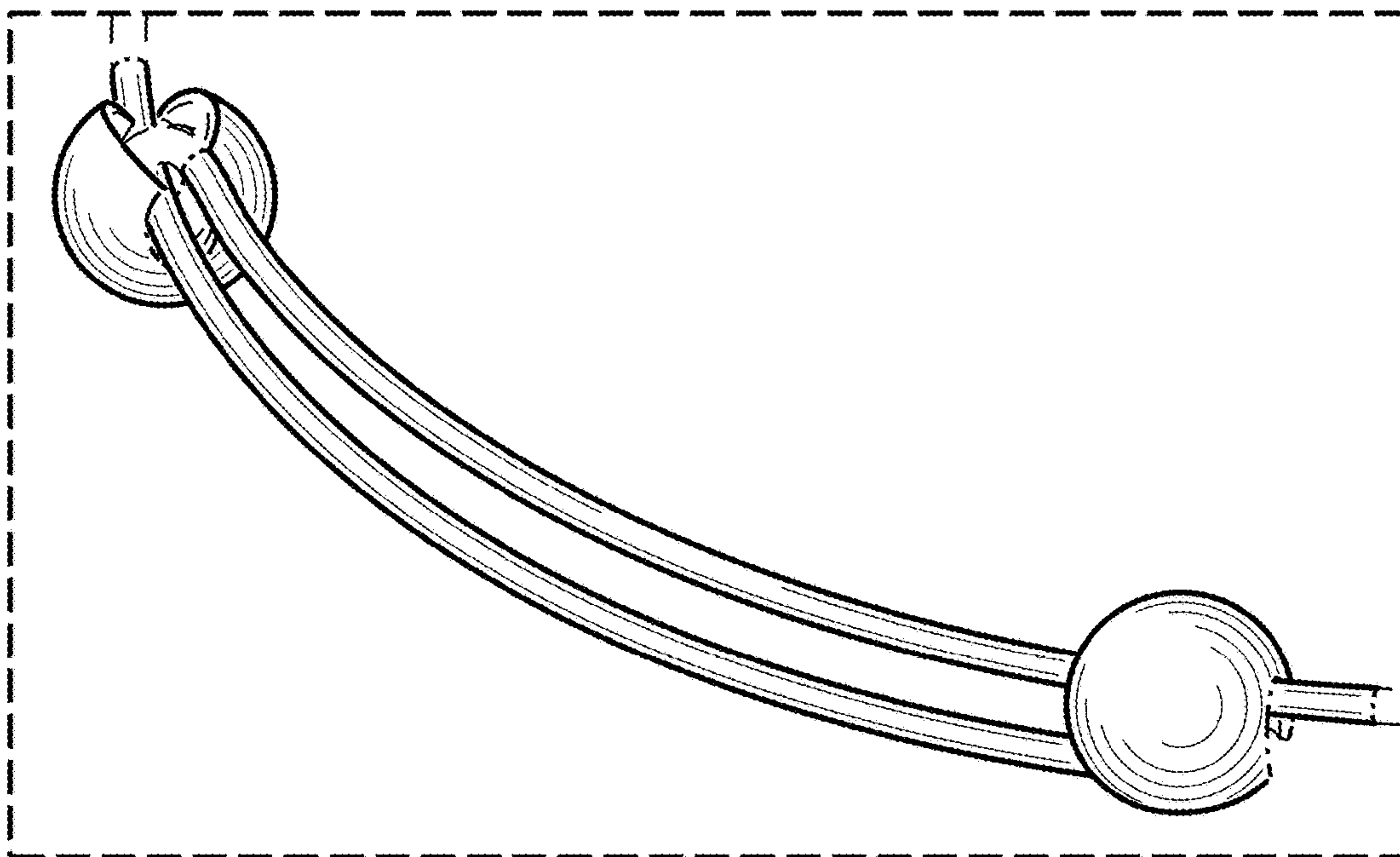


FIG. 21

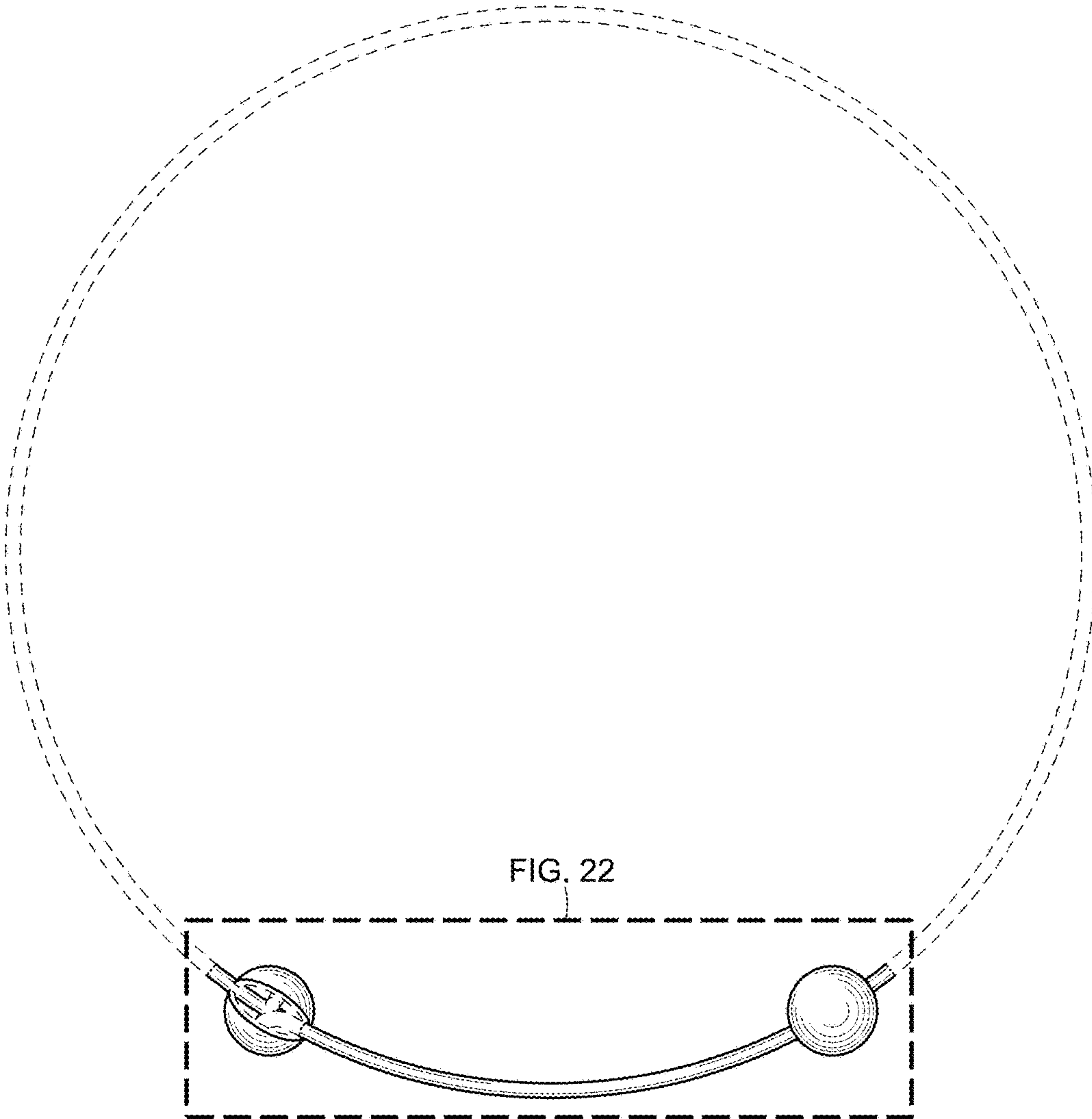


FIG. 22

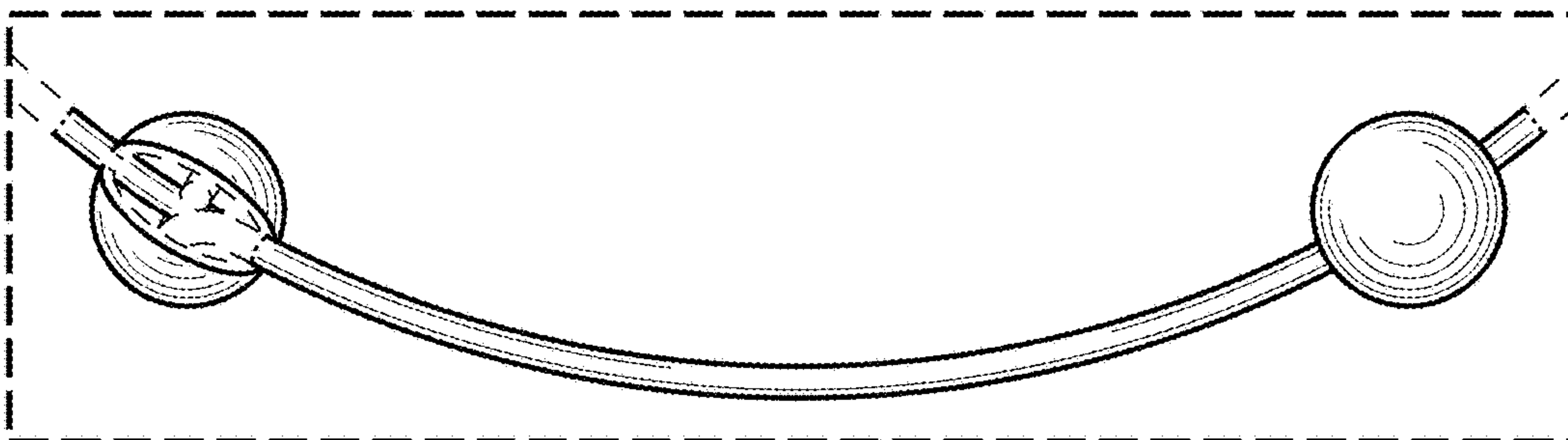


FIG. 23

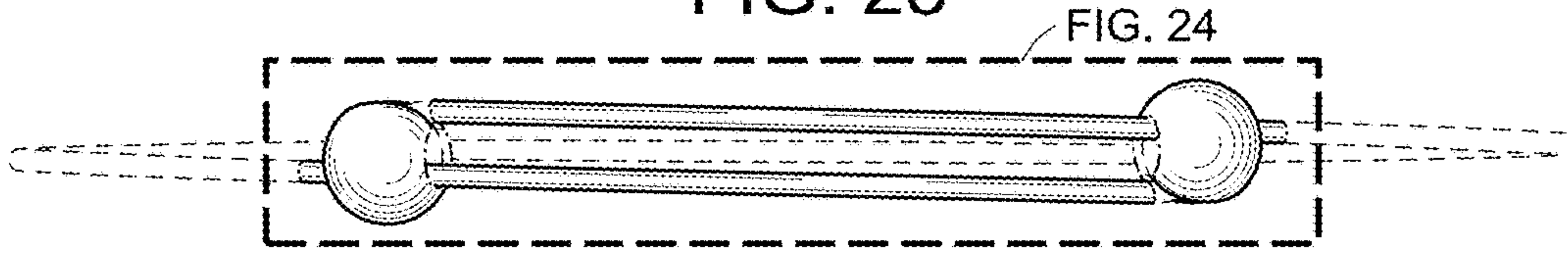


FIG. 24

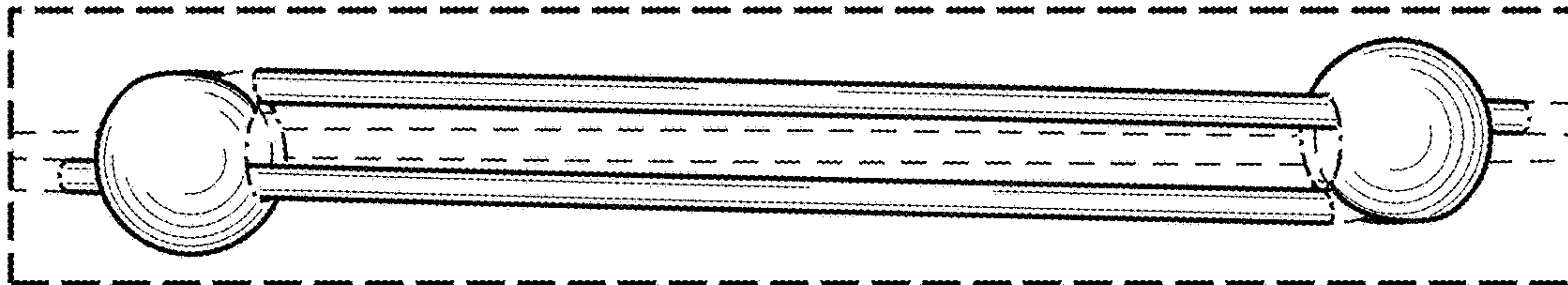


FIG. 25

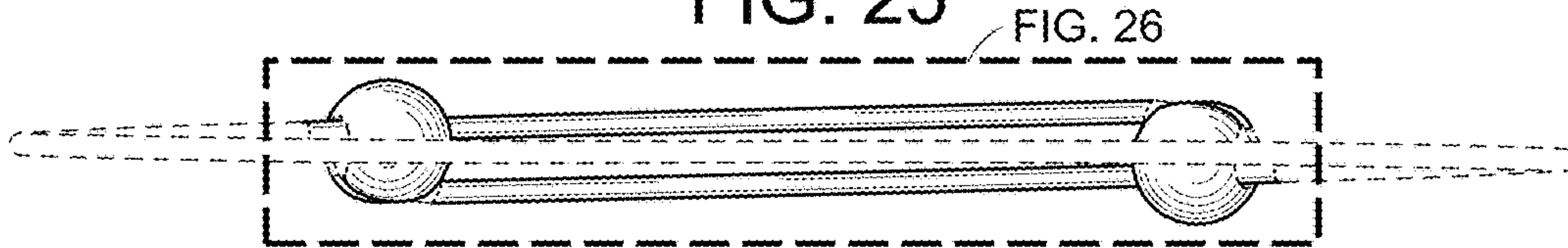


FIG. 26

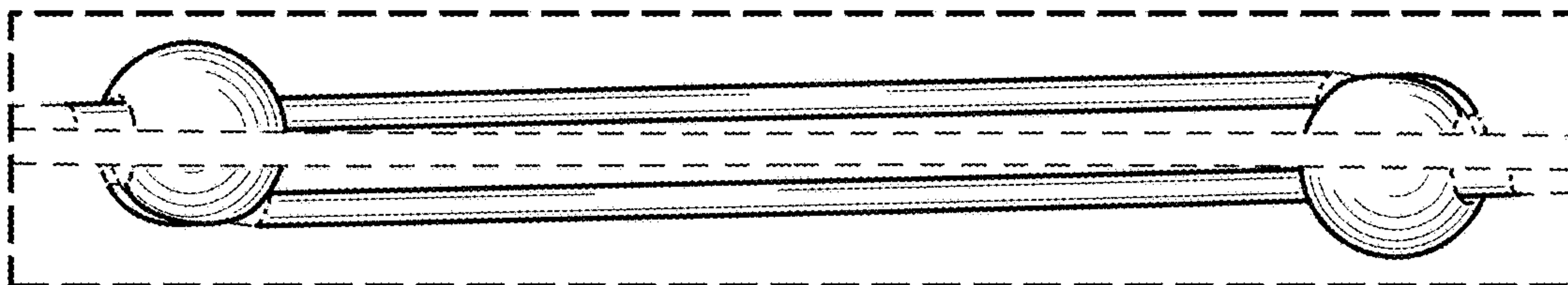


FIG. 28

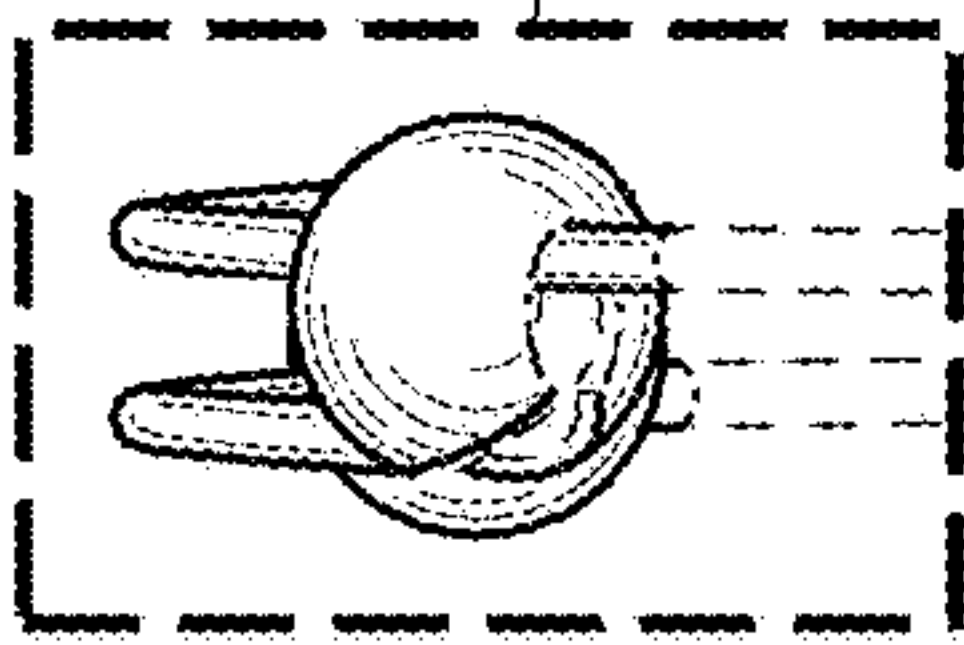


FIG. 27

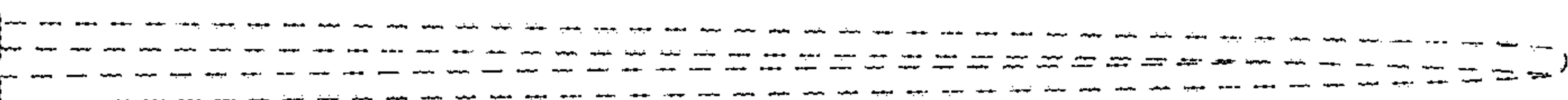


FIG. 28

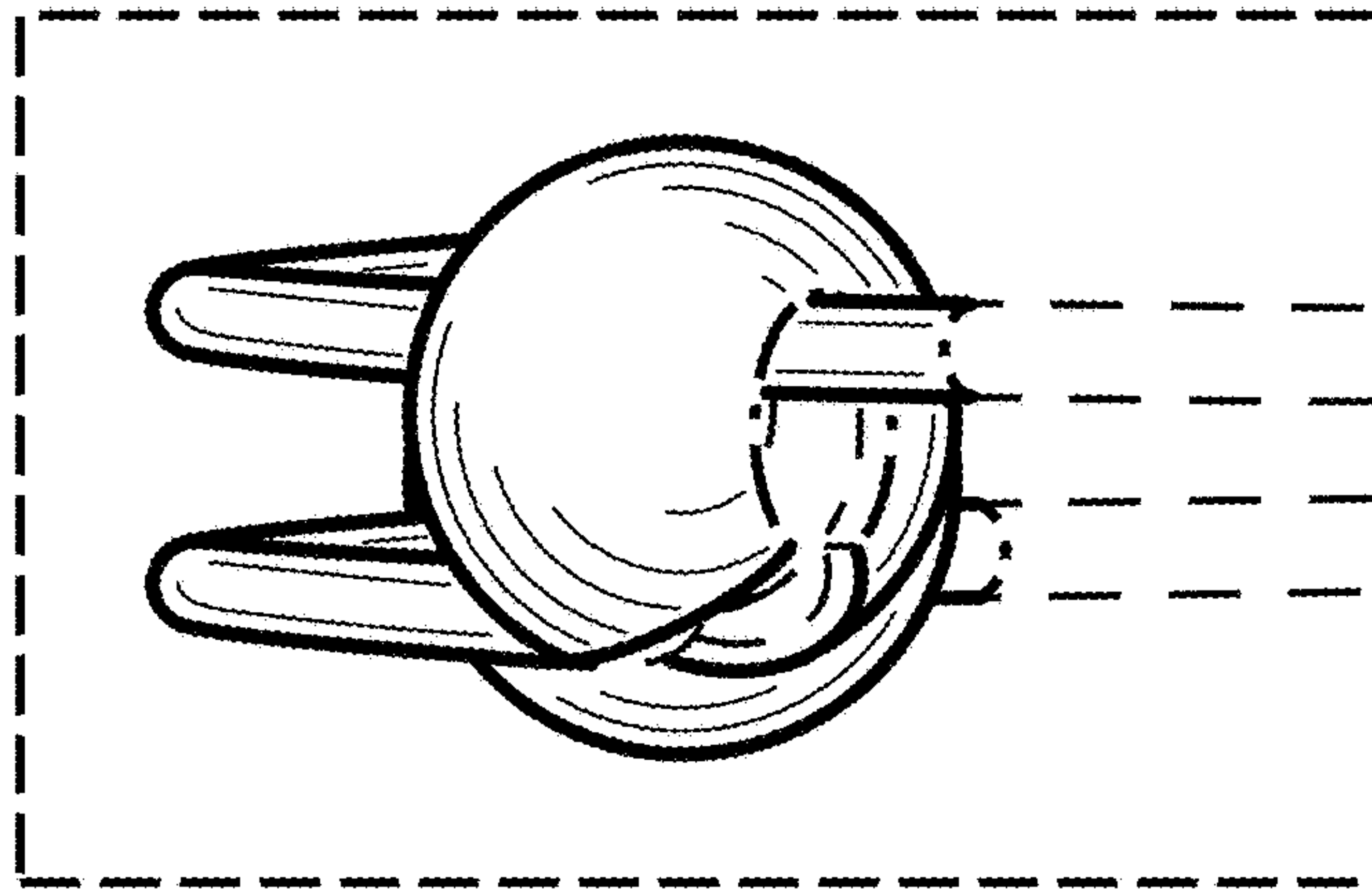


FIG. 29



FIG. 30

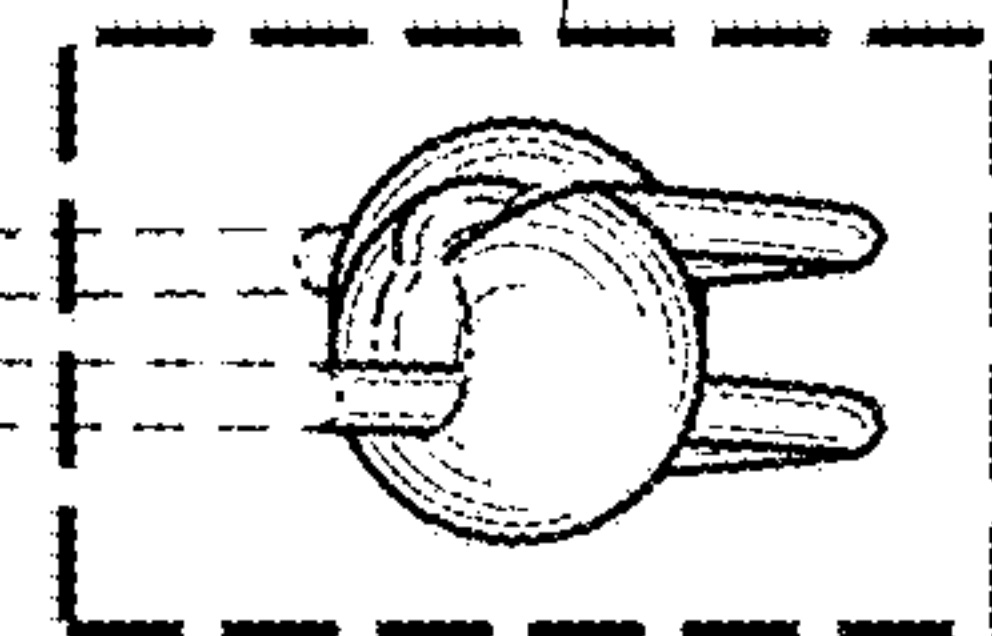


FIG. 30

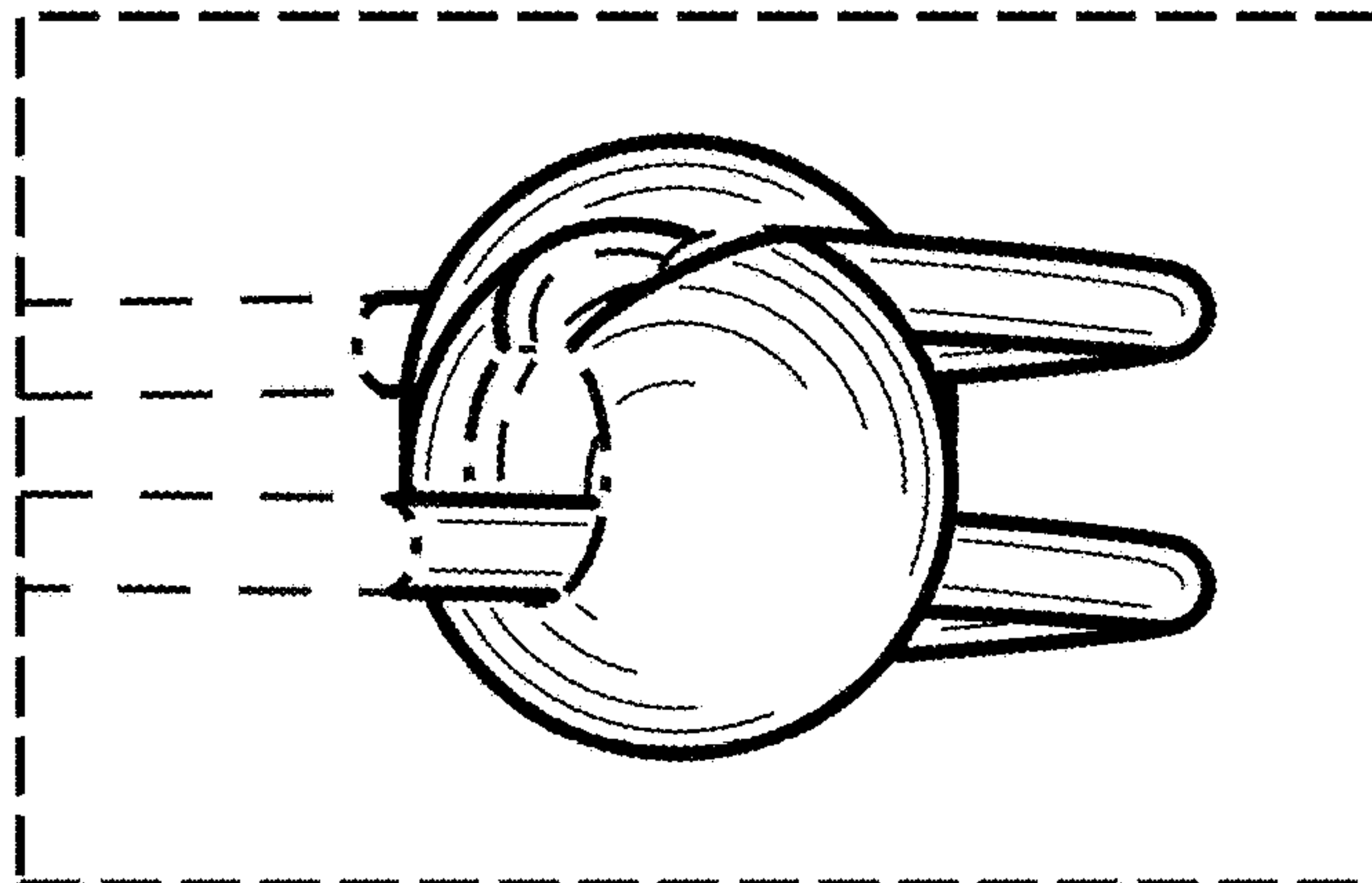


FIG. 31

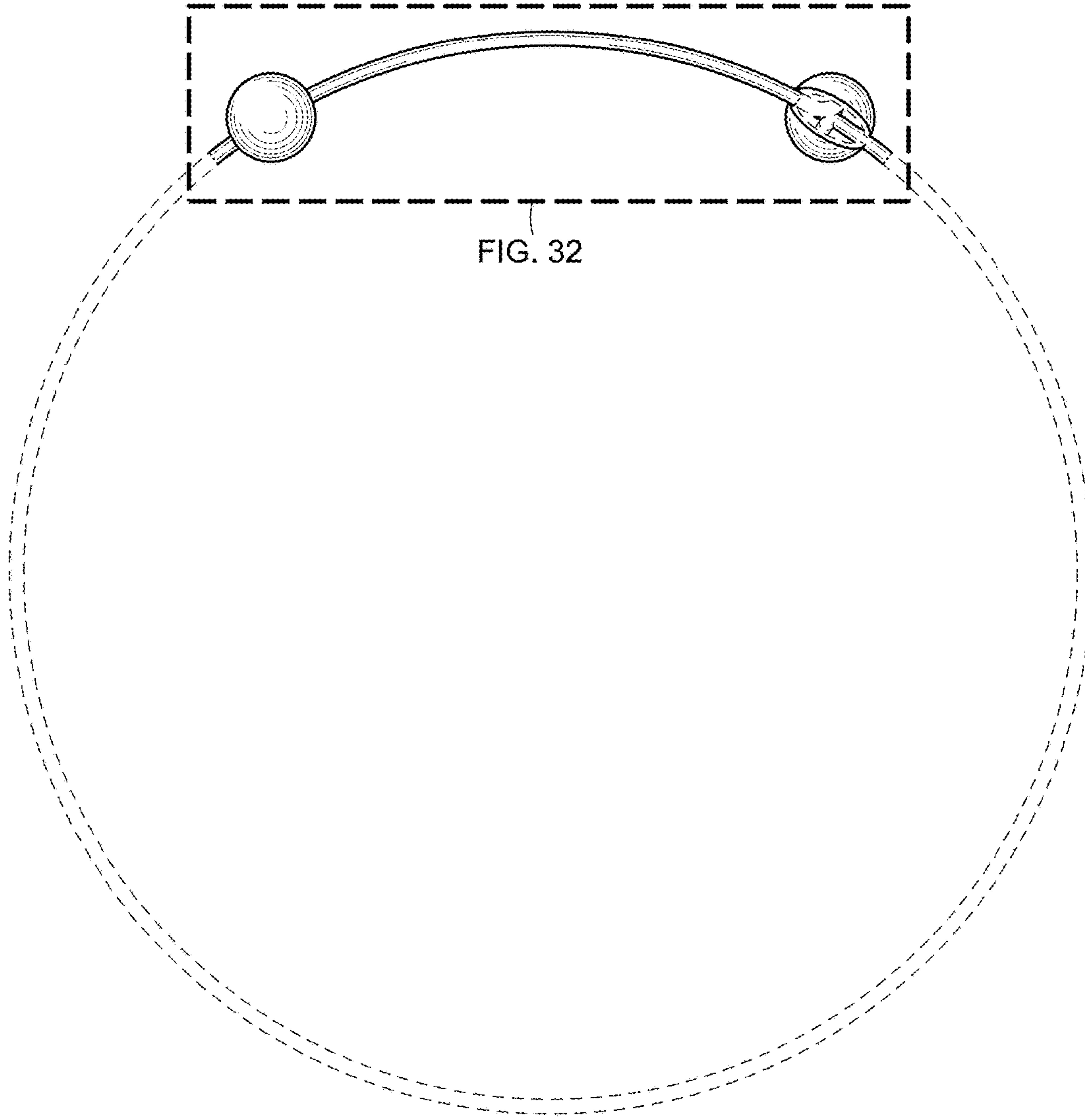


FIG. 32

