



US00D795727S

(12) **United States Design Patent**
Haworth et al.

(10) **Patent No.:** **US D795,727 S**

(45) **Date of Patent:** **** Aug. 29, 2017**

(54) **FLUID LEVEL INDICATOR**

(71) Applicants: **Jon Haworth**, Hendersonville, TN (US); **Houston Hatchett**, Franklin, TN (US); **Keith Mawdsley**, Hendersonville, TN (US)

(72) Inventors: **Jon Haworth**, Hendersonville, TN (US); **Houston Hatchett**, Franklin, TN (US); **Keith Mawdsley**, Hendersonville, TN (US)

(73) Assignee: **Des-Case Corporation**, Goodlettsville, TN (US)

(**) Term: **15 Years**

(21) Appl. No.: **29/542,777**

(22) Filed: **Oct. 16, 2015**

(51) **LOC (10) Cl.** **10-04**

(52) **U.S. Cl.**
USPC **D10/101**

(58) **Field of Classification Search**
USPC D10/56, 101
CPC G01F 23/02; G01N 1/10; F16N 19/003
See application file for complete search history.

(56) **References Cited**

U.S. PATENT DOCUMENTS

5,758,746 A * 6/1998 Sage F04B 53/18
116/227

OTHER PUBLICATIONS

Luneta Sight Glass, at <http://www.luneta.com/products/sight-glass?variant=2645650435>.
U.S. Appl. No. 29/542,775, filed Oct. 16, 2015.

U.S. Appl. No. 29/542,772, filed Oct. 16, 2015.
U.S. Appl. No. 29/542,778, filed Oct. 16, 2015.
“Inspection for Success with Visual Oil Analysis” from Uptime Magazine, Oct./Nov. 14, written by Mark Barnes.
“Oil Inspection Sigh Glasses” from Clean Lube Solutions.

* cited by examiner

Primary Examiner — Antoine D Davis
(74) *Attorney, Agent, or Firm* — Patterson Intellectual Property Law, P.C.; Ryan D. Levy

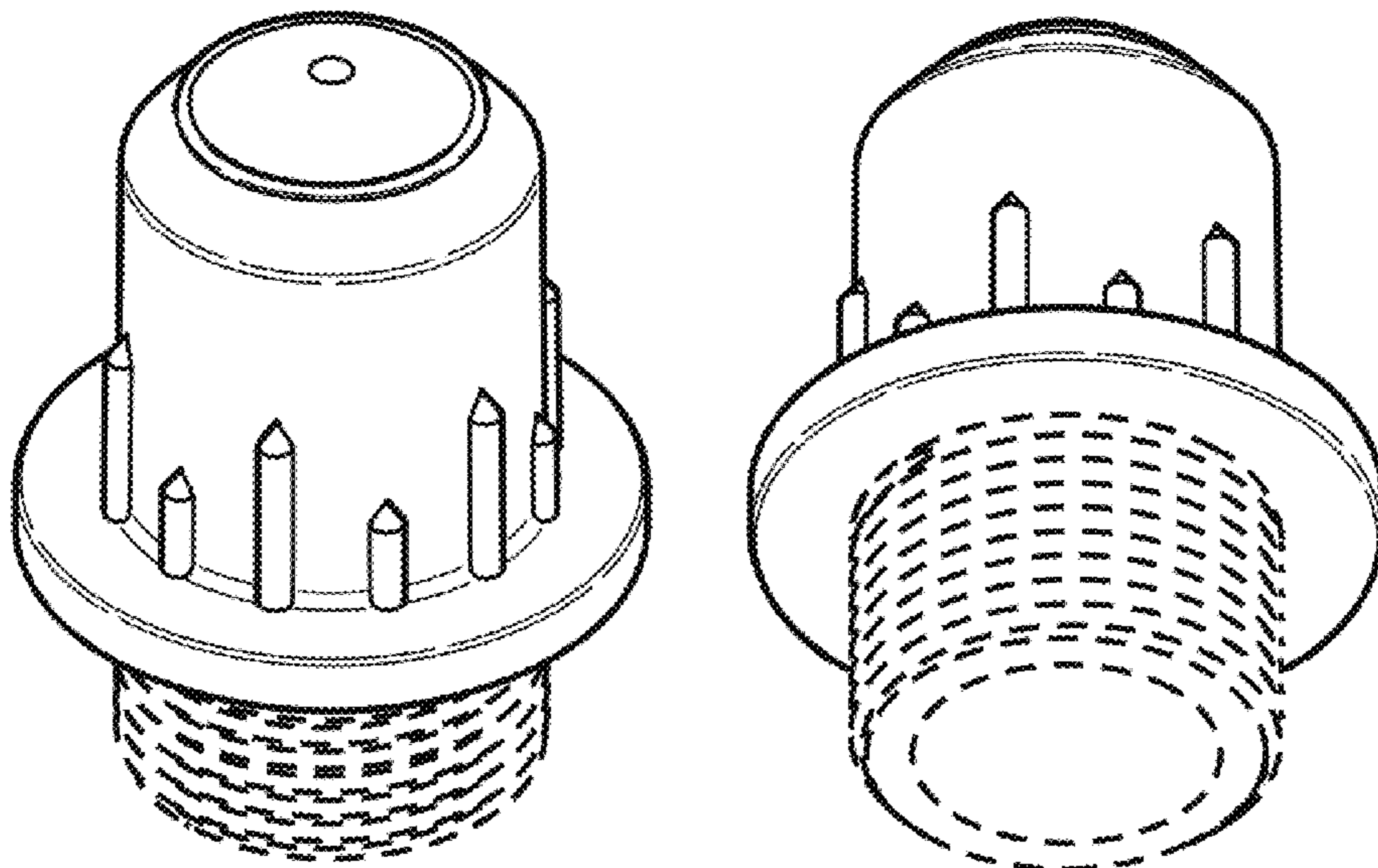
(57) **CLAIM**

The ornamental design for a fluid level indicator, as shown and described.

DESCRIPTION

FIG. 1 is a side perspective view of an embodiment of the fluid level indicator of Applicants’ invention.
FIG. 2 is a side view of an embodiment of the fluid level indicator of Applicants’ invention.
FIG. 3 is a bottom perspective view of an embodiment of the fluid level indicator of Applicants’ invention.
FIG. 4 is a top view of an embodiment of the fluid level indicator of Applicants’ invention.
FIG. 5 is a side view of an embodiment of the fluid level indicator of Applicants’ invention.
FIG. 6 is a bottom view of an embodiment of the fluid level indicator of Applicants’ invention.
FIG. 7 is a side view of an embodiment of the fluid level indicator of Applicants’ invention.
FIG. 8 is a side view of an embodiment of the fluid level indicator of Applicants’ invention; and,
FIG. 9 is a cut-a-way side view of a portion of an embodiment of the fluid level indicator of Applicants’ invention. The broken lines depict portions of the fluid level indicator that form no part of the claimed design.

1 Claim, 1 Drawing Sheet



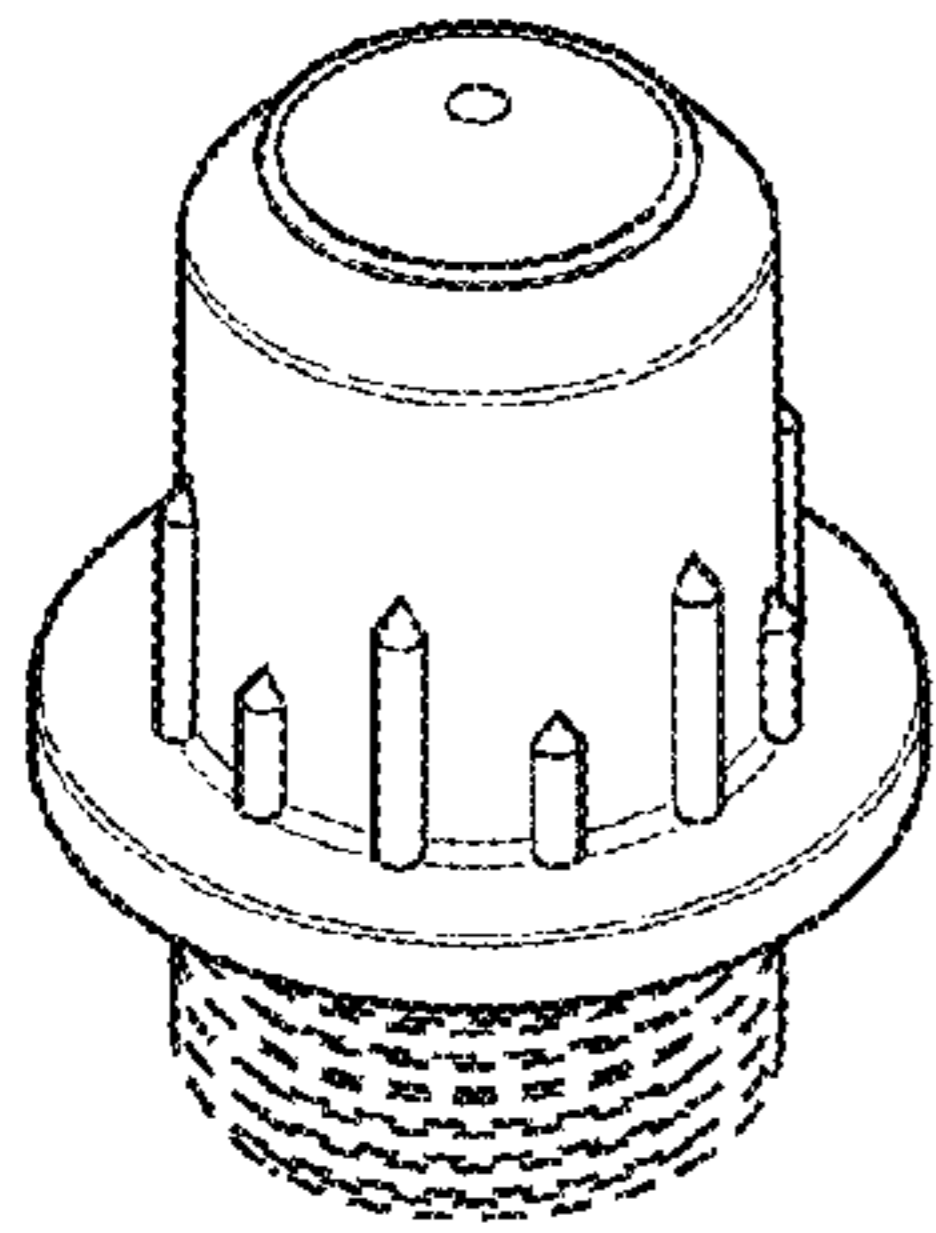


FIG. 1

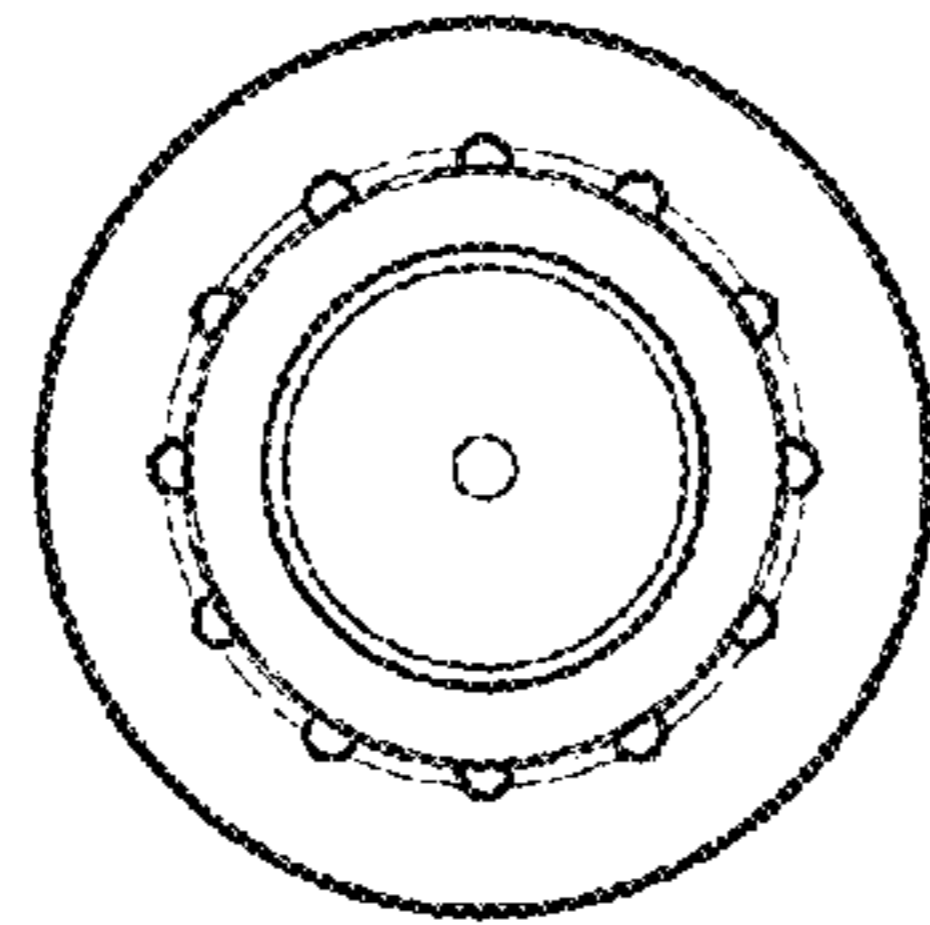


FIG. 4

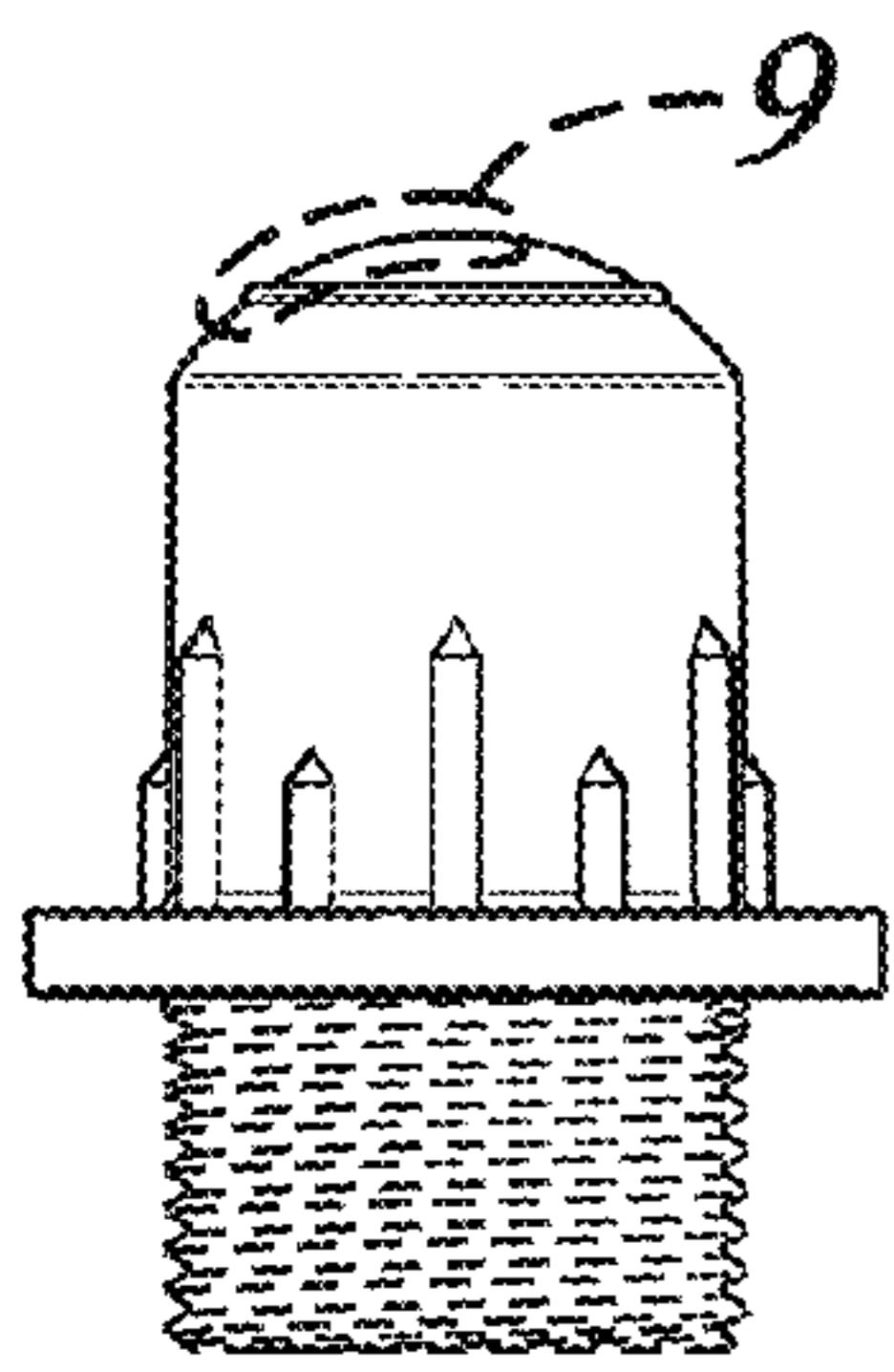


FIG. 2

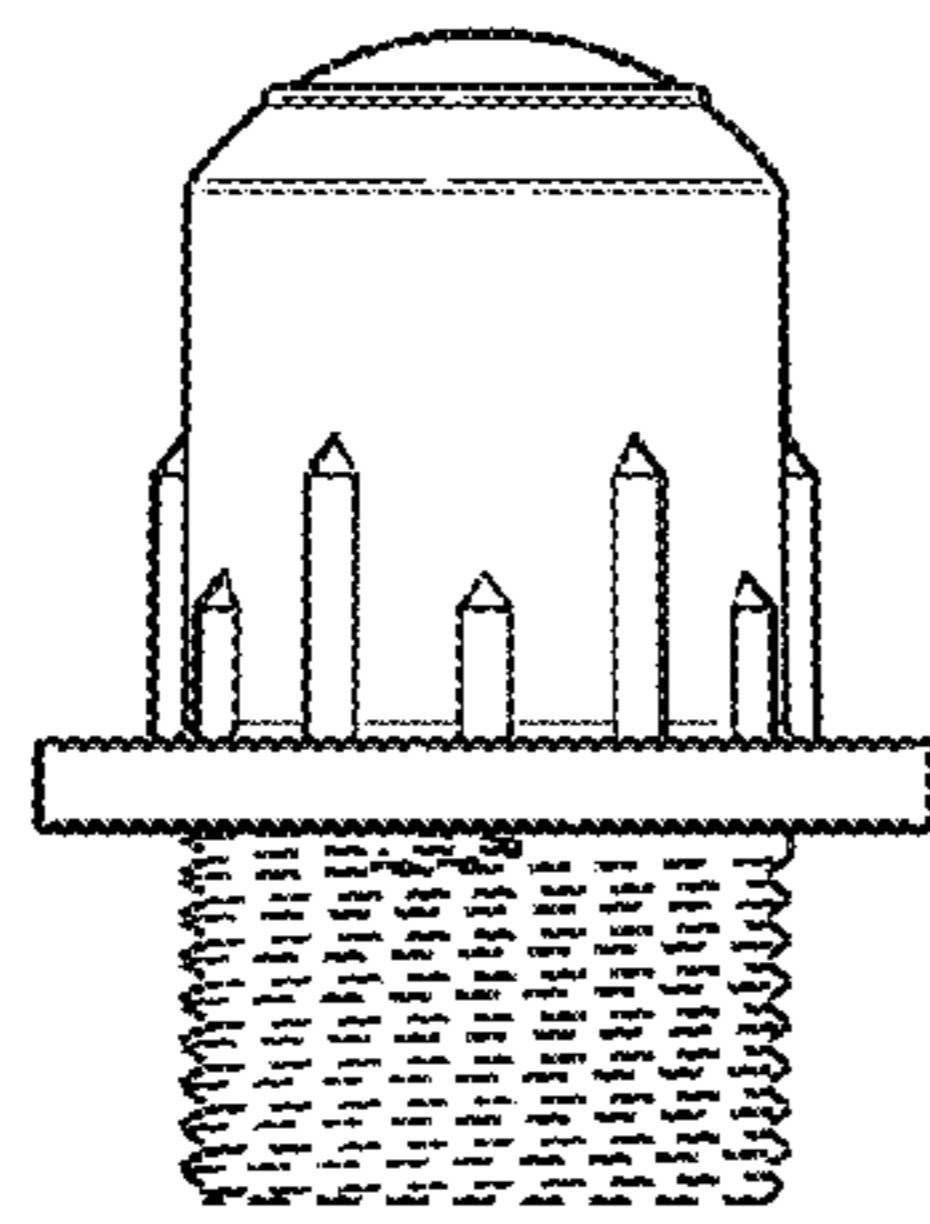


FIG. 5

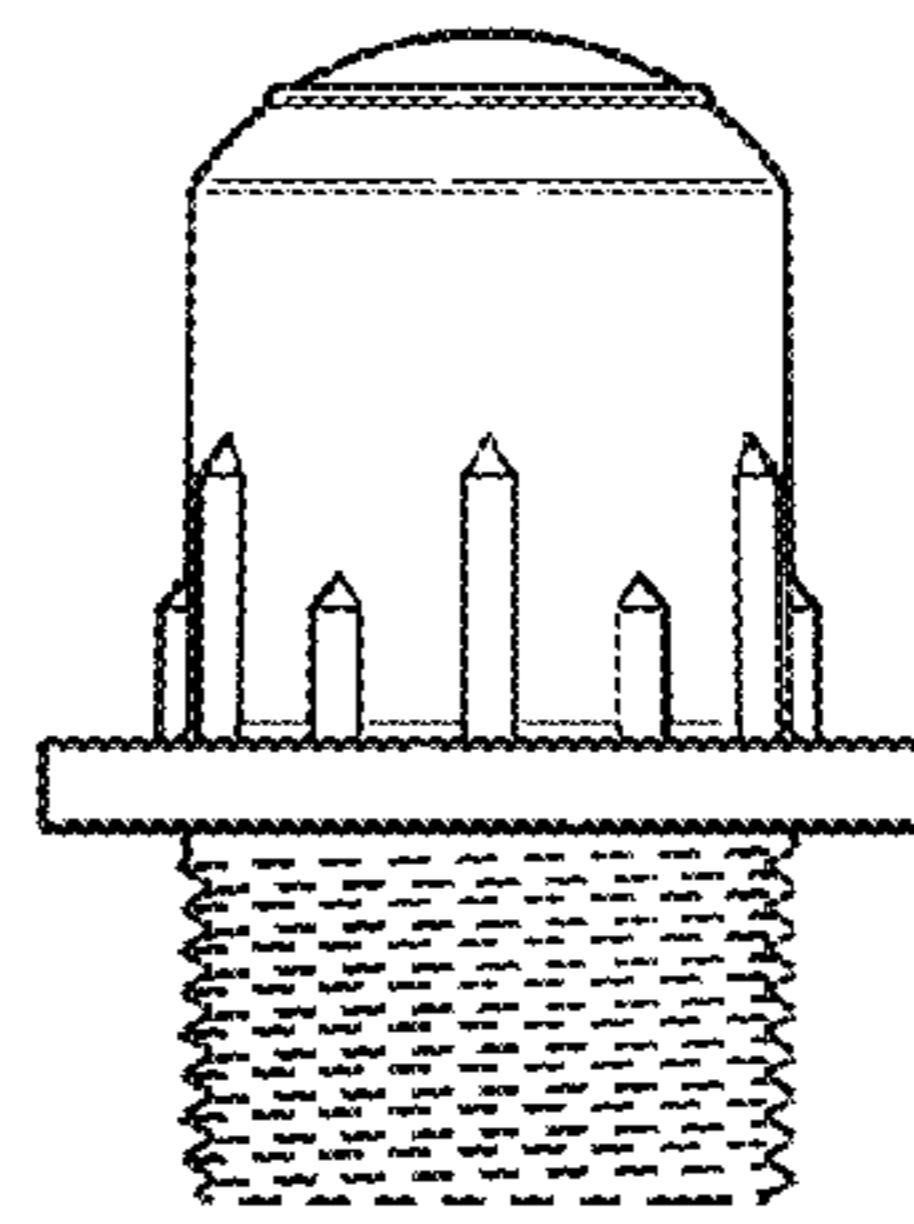


FIG. 7

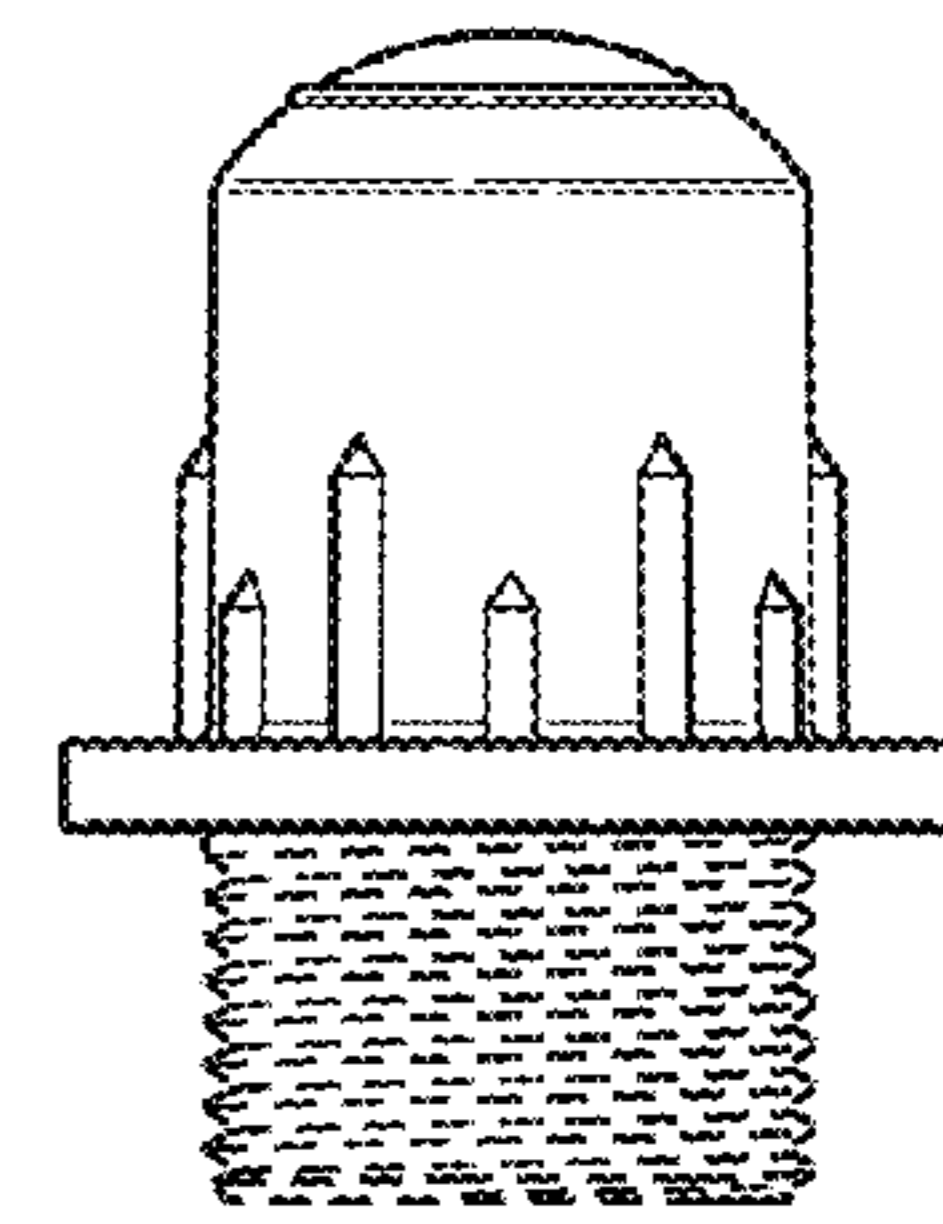


FIG. 8

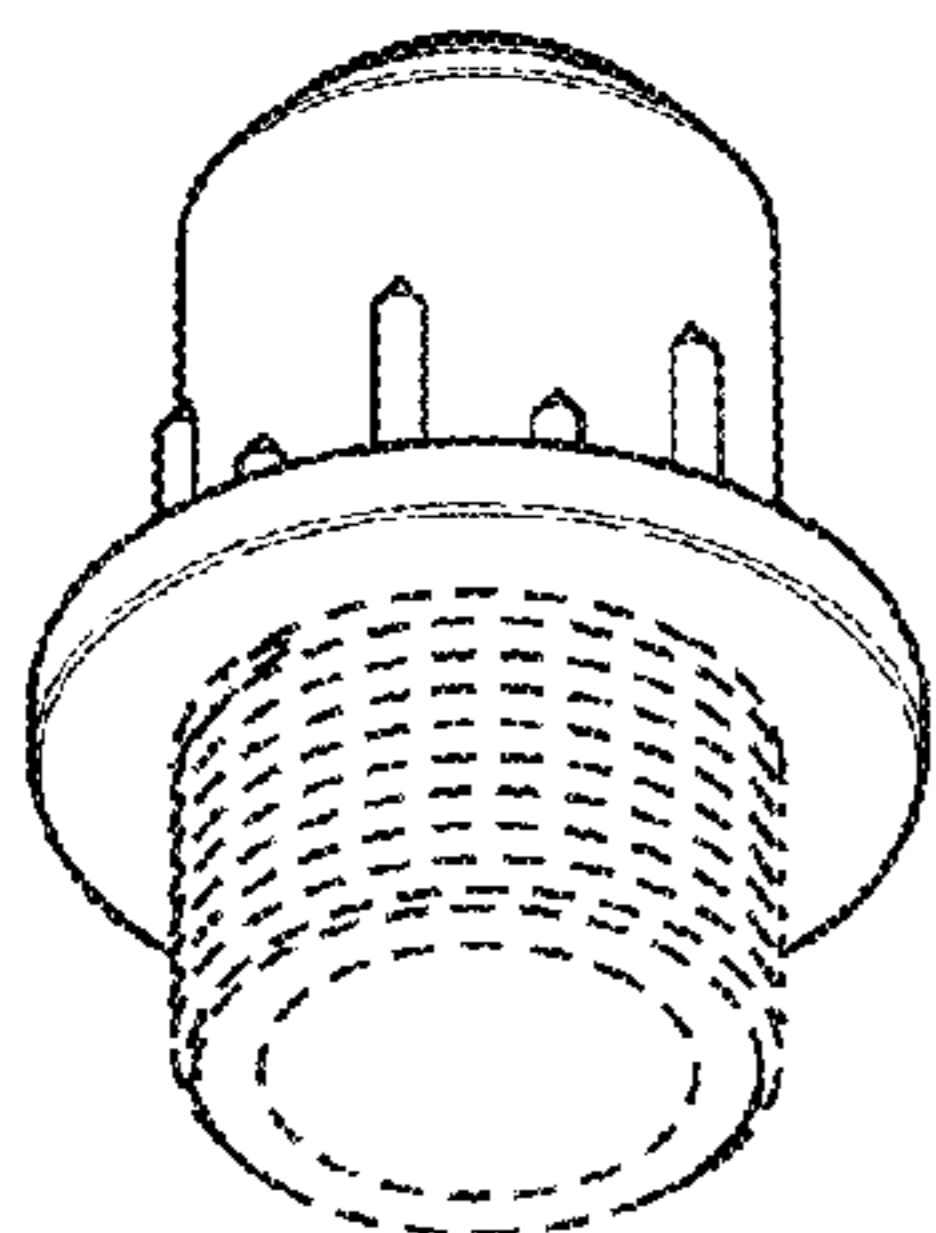


FIG. 3

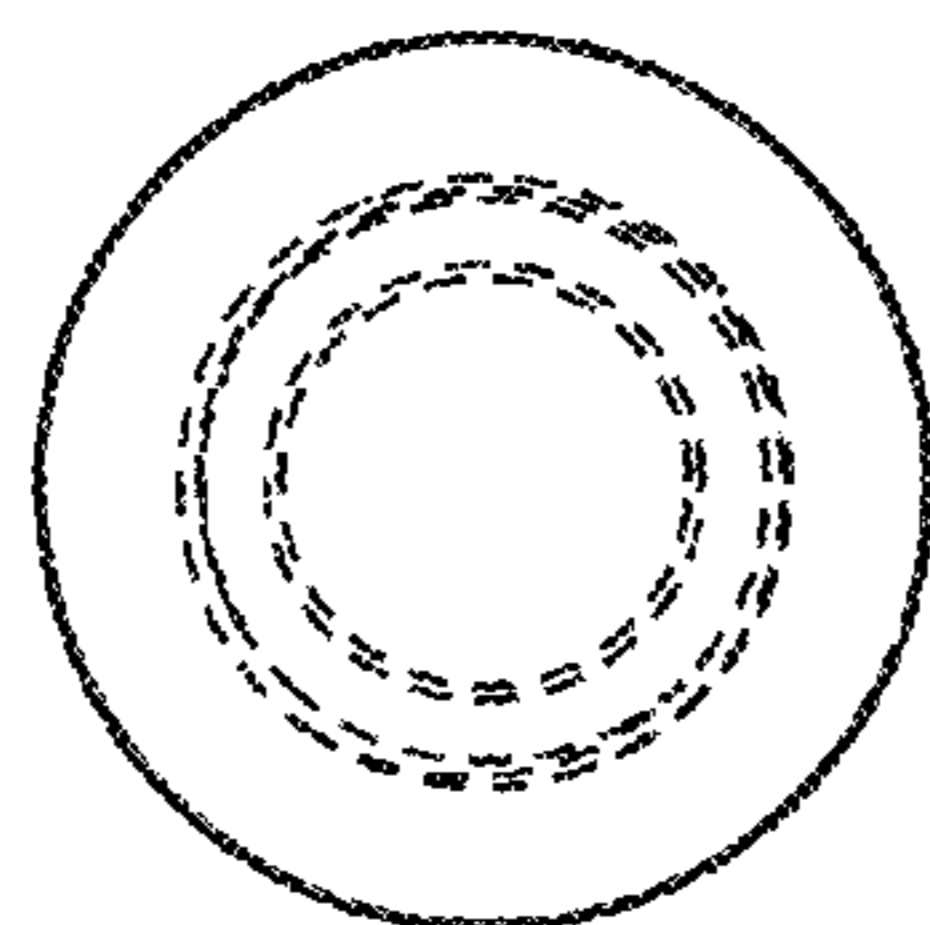


FIG. 6

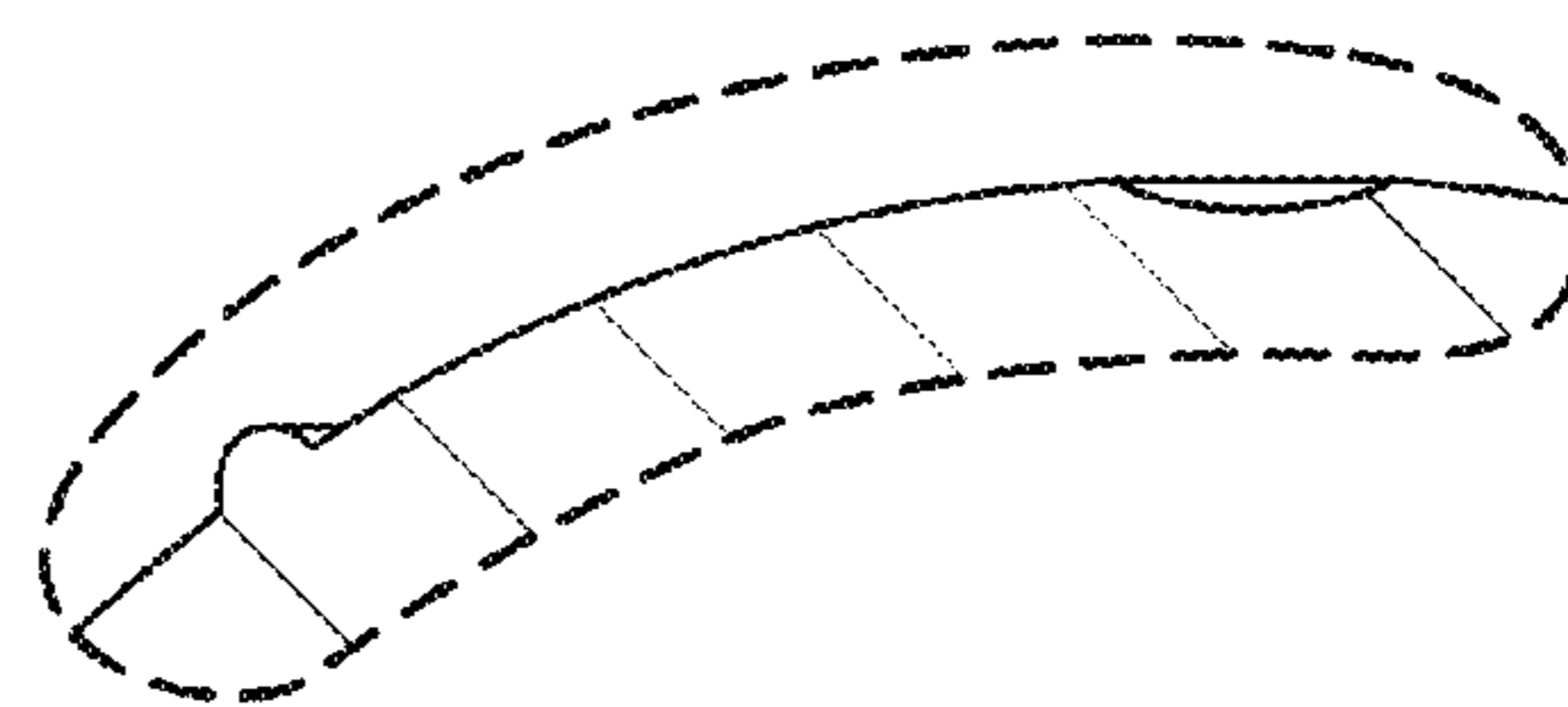


FIG. 9