



US00D795723S

(12) **United States Design Patent**  
**Herbst**

(10) **Patent No.:** **US D795,723 S**

(45) **Date of Patent:** **\*\* \*Aug. 29, 2017**

(54) **ANALYSIS DEVICE**

(71) Applicant: **Pulse Health LLC**, Portland, OR (US)

(72) Inventor: **Scot Herbst**, San Jose, CA (US)

(73) Assignee: **Pulse Health, LLC**, Portland, OR (US)

(\*) Notice: This patent is subject to a terminal disclaimer.

(\*\*) Term: **15 Years**

(21) Appl. No.: **29/531,769**

(22) Filed: **Jun. 29, 2015**

(51) **LOC (10) Cl.** ..... **10-04**

(52) **U.S. Cl.**  
USPC ..... **D10/81; D24/216**

(58) **Field of Classification Search**  
USPC ..... D10/81; D24/216, 219, 220, 232, 233, D24/234  
CPC ..... G01N 21/00; G01N 21/01; G01N 2021/0106; G01N 2201/022; G01N 2201/0221; G01N 2201/0222; G01N 2201/0224; G01N 2201/0225; G01N 2201/0227; G01N 2201/0228; G01N 2201/024; G01N 2201/0245; G01N 2021/0112-21/958

See application file for complete search history.

(56) **References Cited**

**U.S. PATENT DOCUMENTS**

D522,145 S \* 5/2006 Best ..... D10/81  
8,161,797 B1 \* 4/2012 Genovese ..... G01N 1/22  
73/31.01

D692,786 S \* 11/2013 Fechner ..... D10/78  
D716,163 S \* 10/2014 Kura ..... D10/81

\* cited by examiner

*Primary Examiner* — Antoine D Davis

(74) *Attorney, Agent, or Firm* — Brownstein Hyatt Farber Schreck, LLP

(57) **CLAIM**

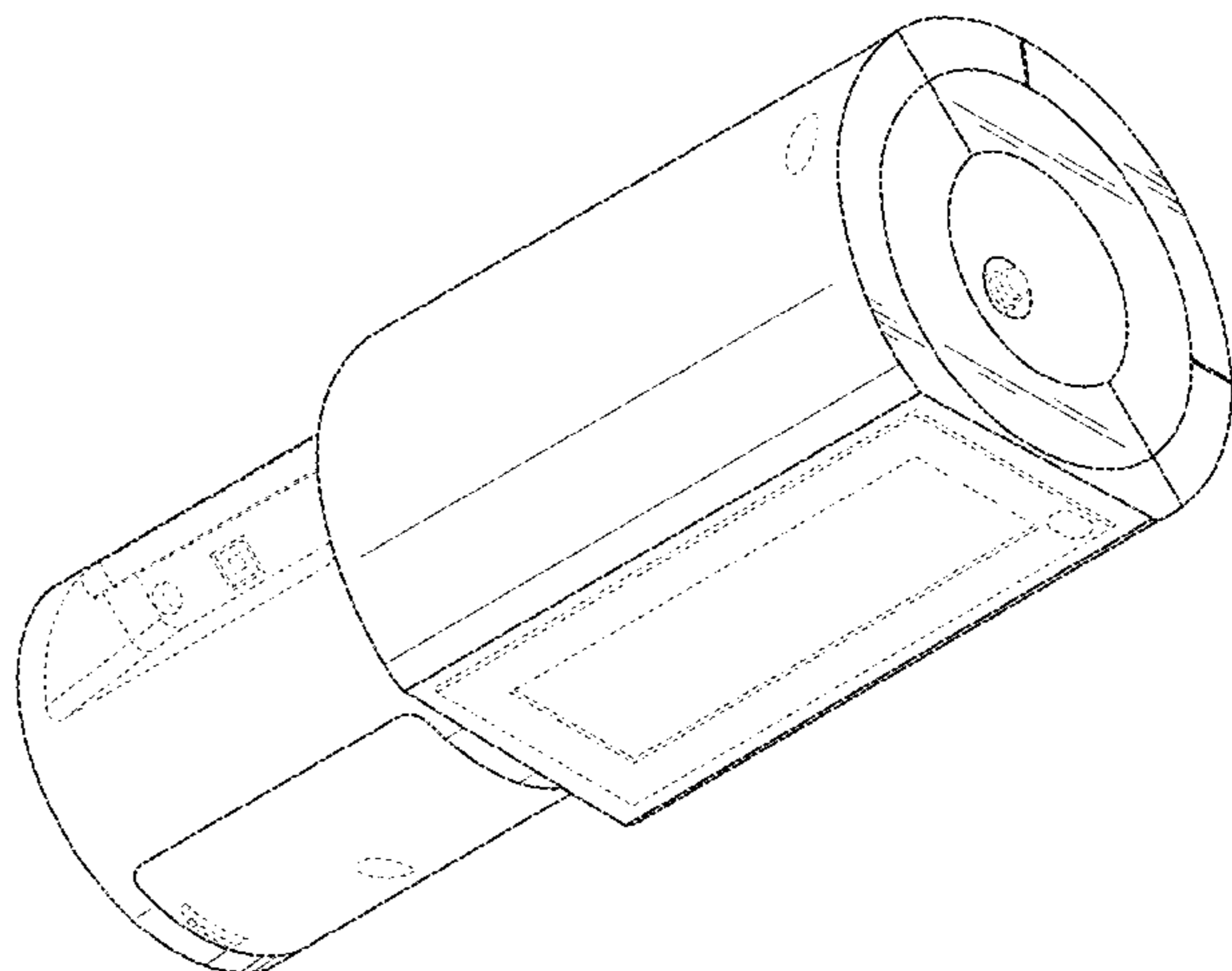
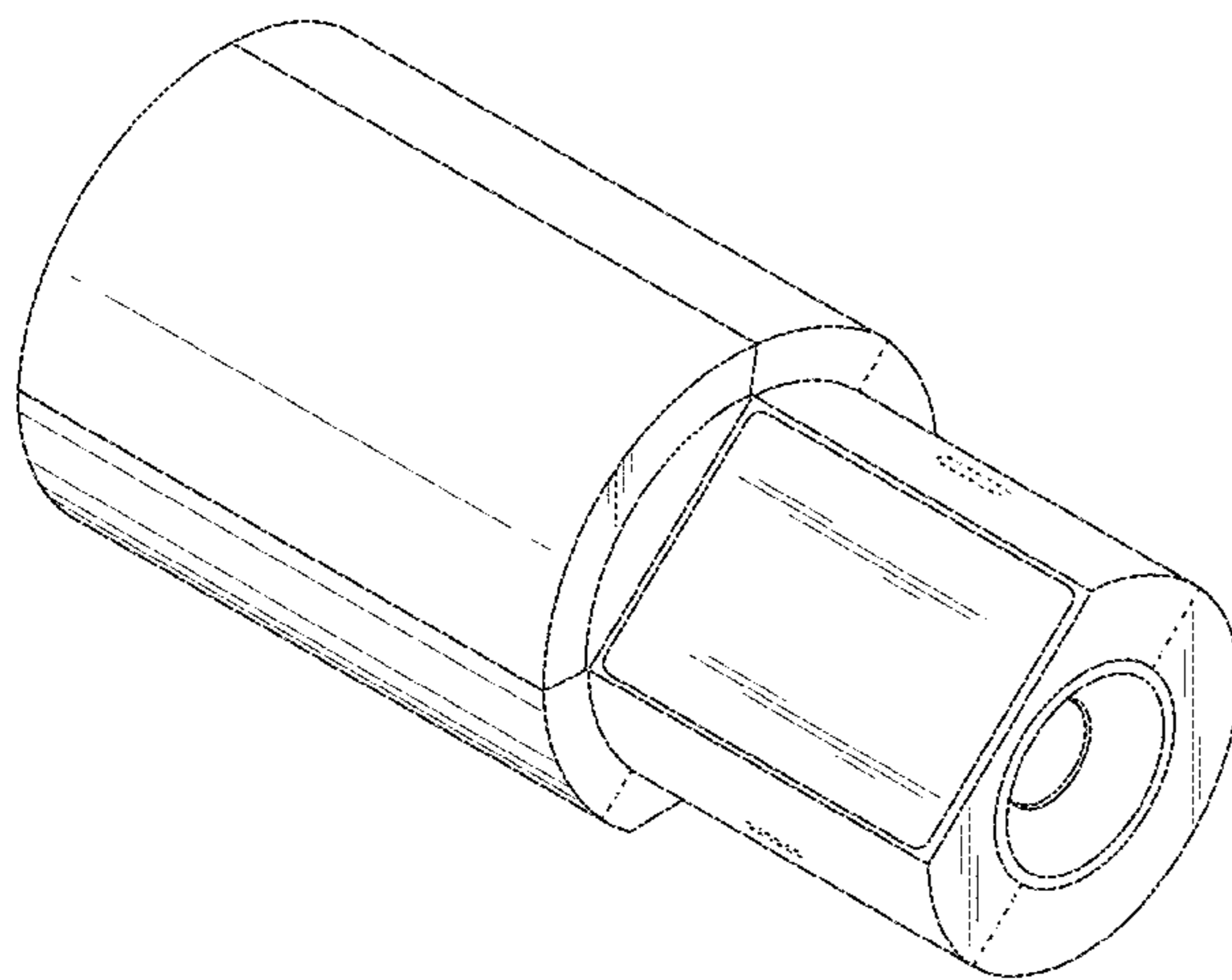
The ornamental design for an analysis device, as shown and described.

**DESCRIPTION**

FIG. 1 is a front perspective view of the present invention; FIG. 2 is a right elevational view of the present invention shown in FIG. 1; FIG. 3 is a left elevational view of the present invention shown in FIG. 1; FIG. 4 is a front elevational view of the present invention shown in FIG. 1; FIG. 5 is a rear elevational view of the present invention shown in FIG. 1; FIG. 6 is a top plan view of the present invention shown in FIG. 1; FIG. 7 is a bottom plan view of the present invention shown in FIG. 1; and, FIG. 8 is a bottom perspective view of the present invention shown in FIG. 1.

The broken lines are for illustrative purposes only and form no part of the claimed design.

**1 Claim, 8 Drawing Sheets**



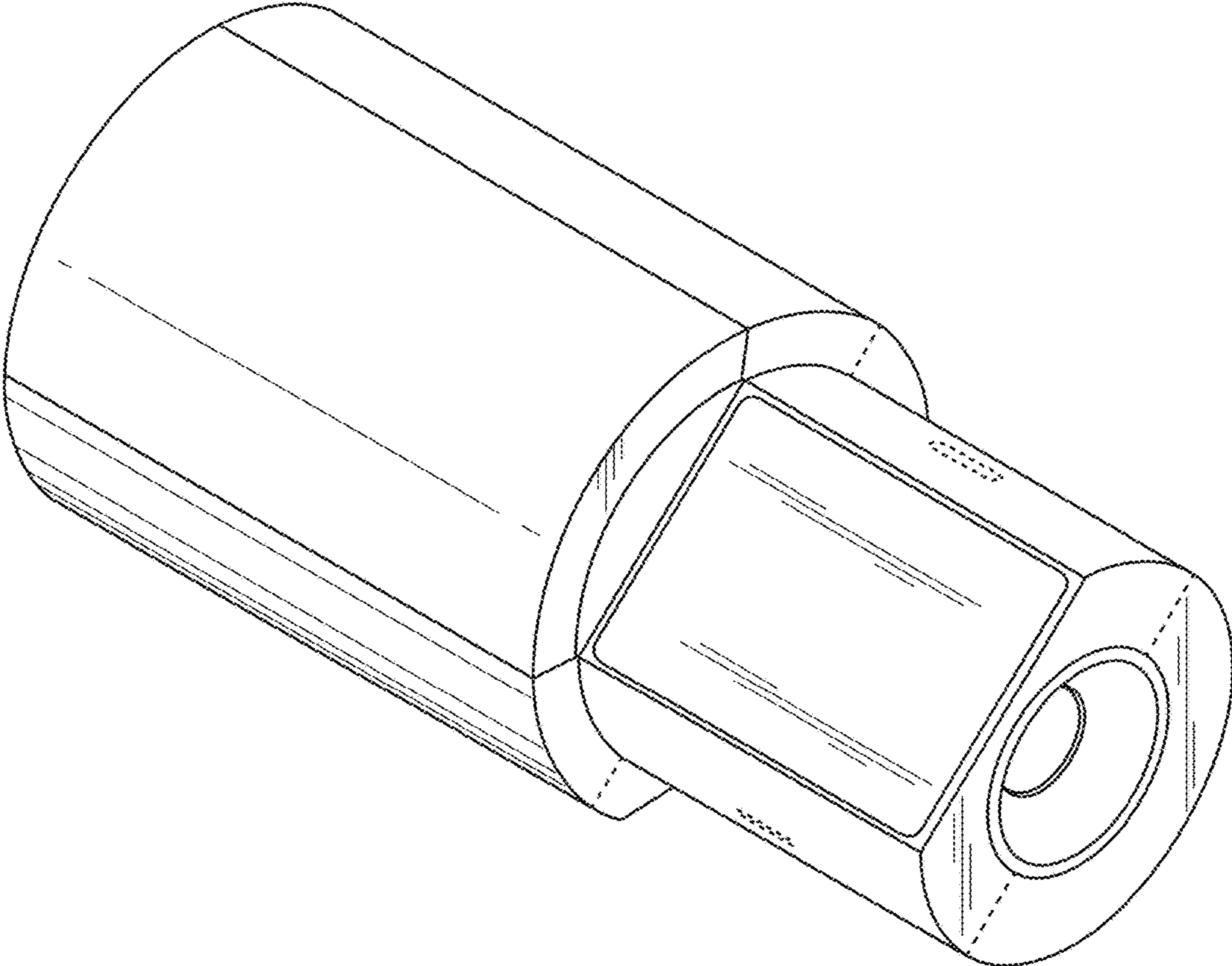


FIG. 1

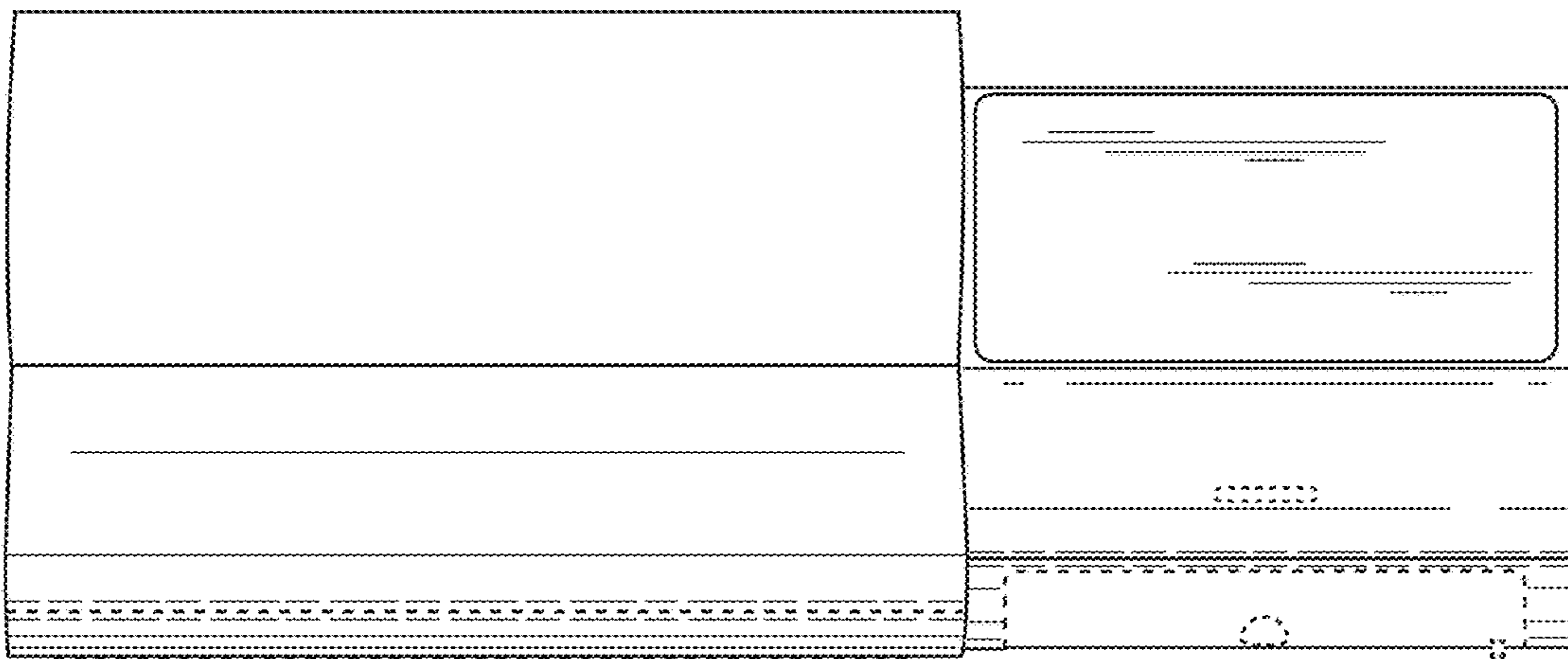


FIG. 2

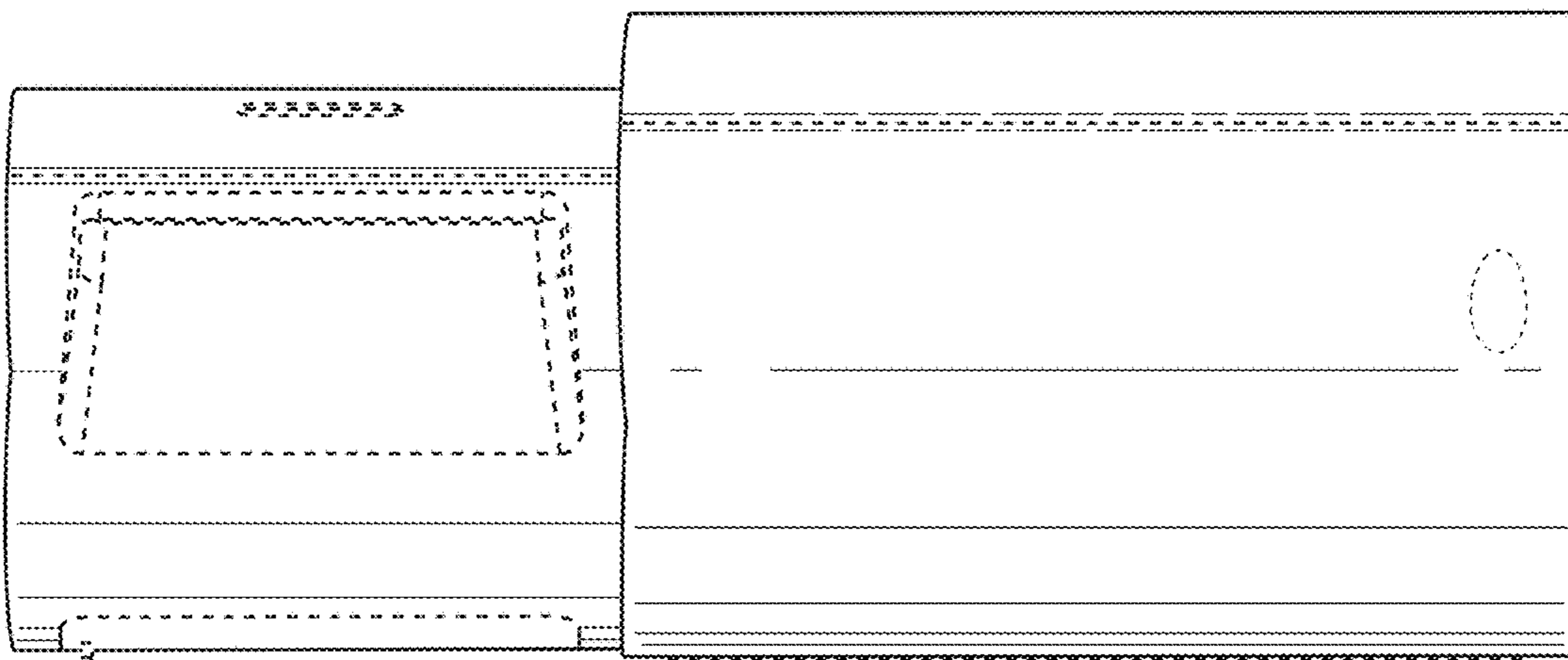


FIG. 3

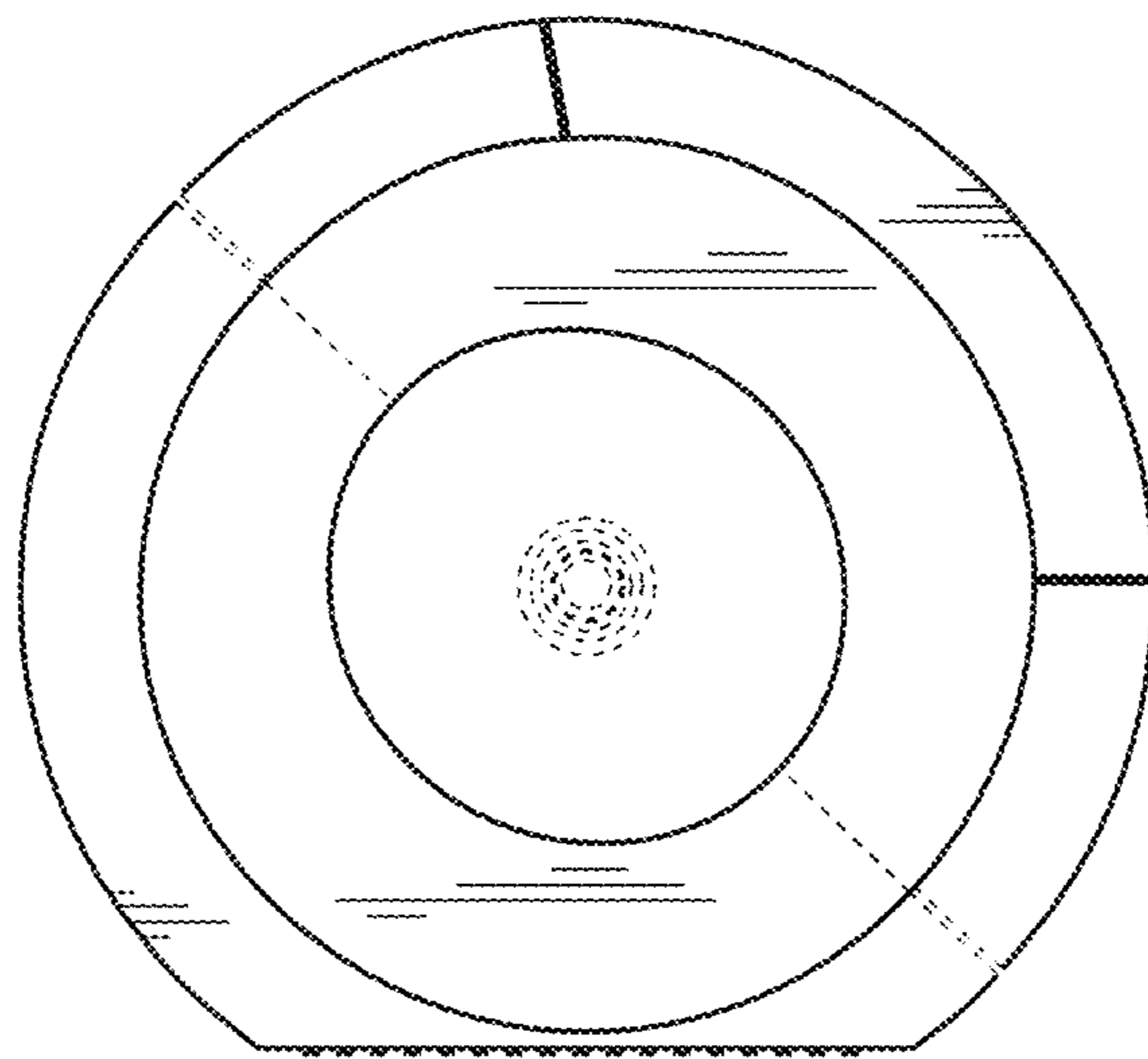


FIG. 4

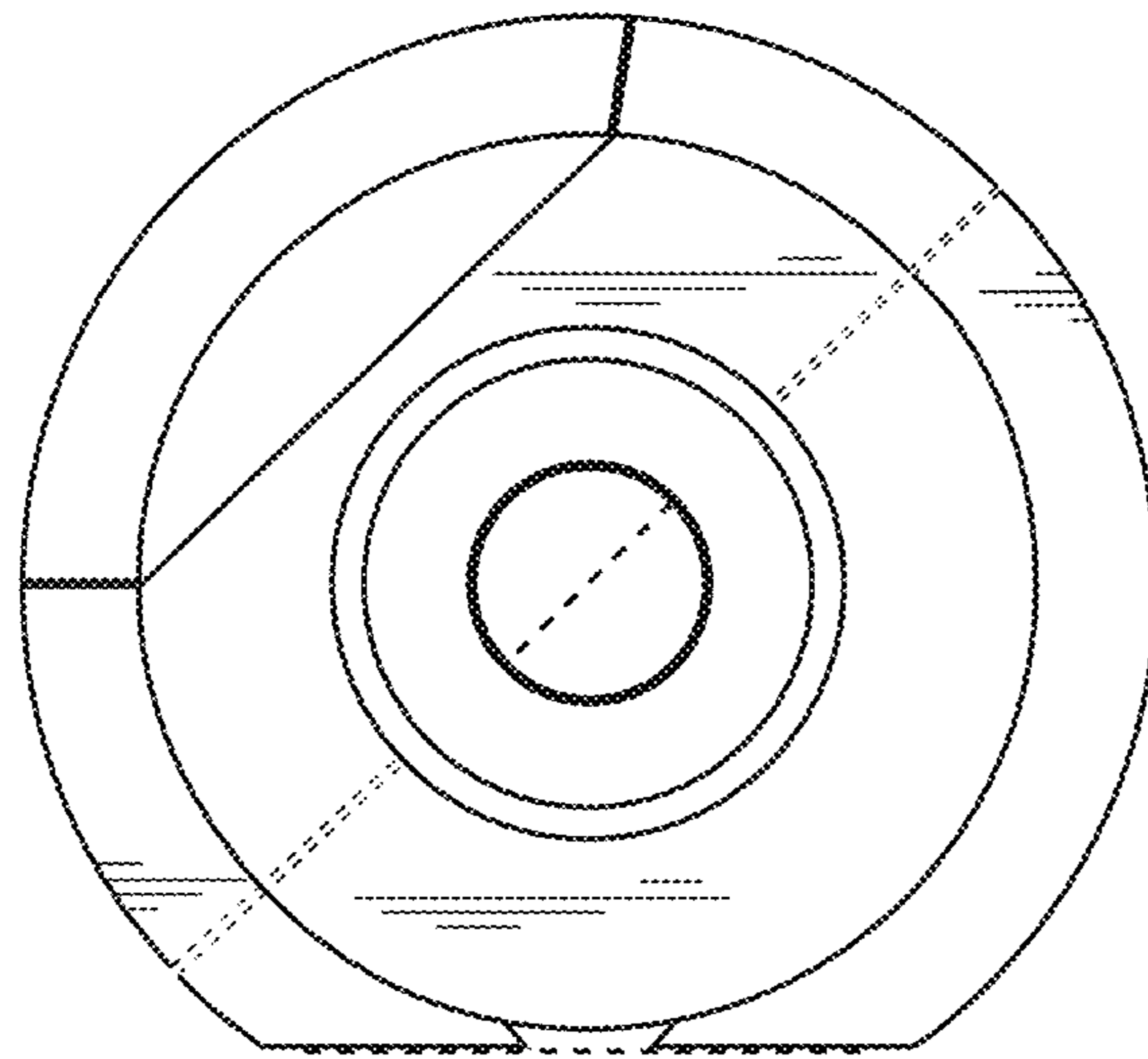


FIG. 5

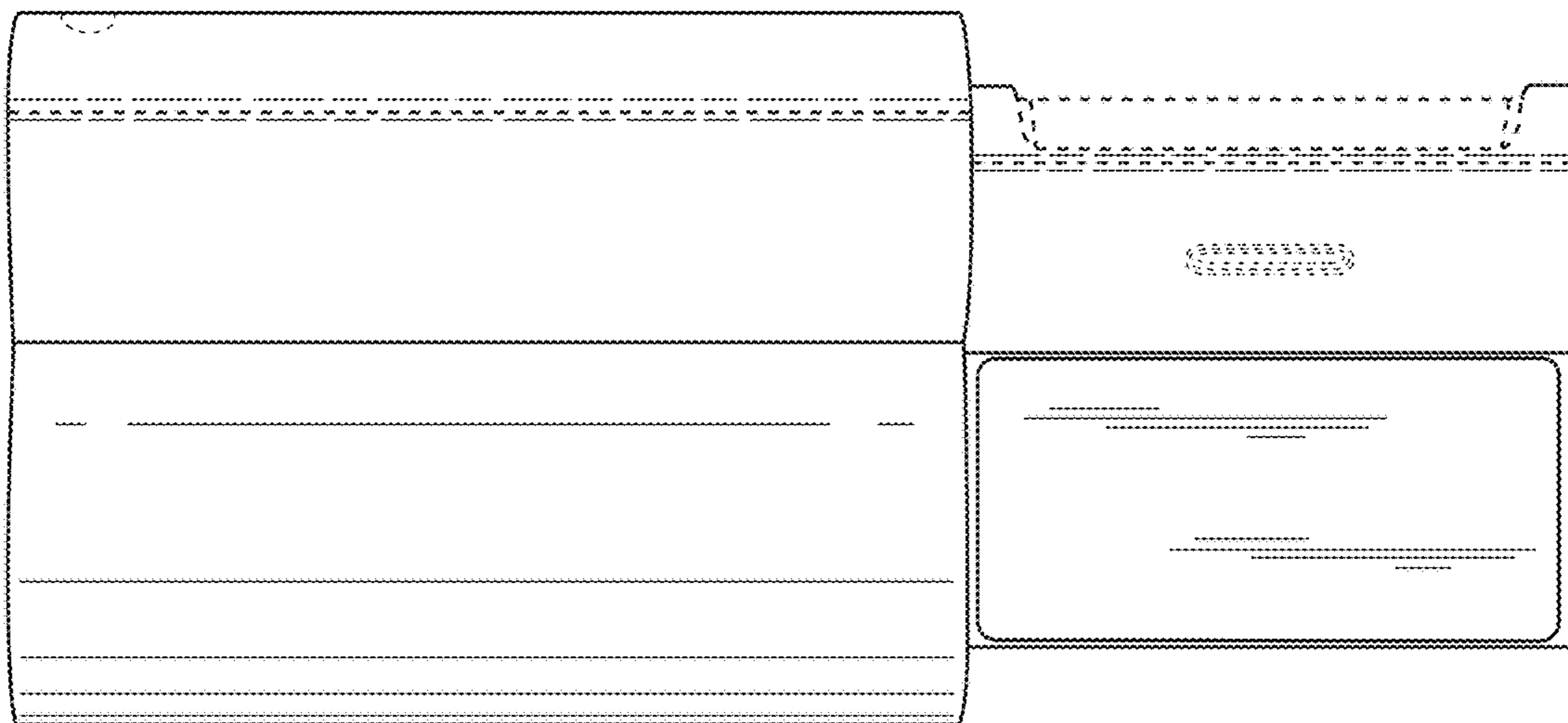


FIG. 6

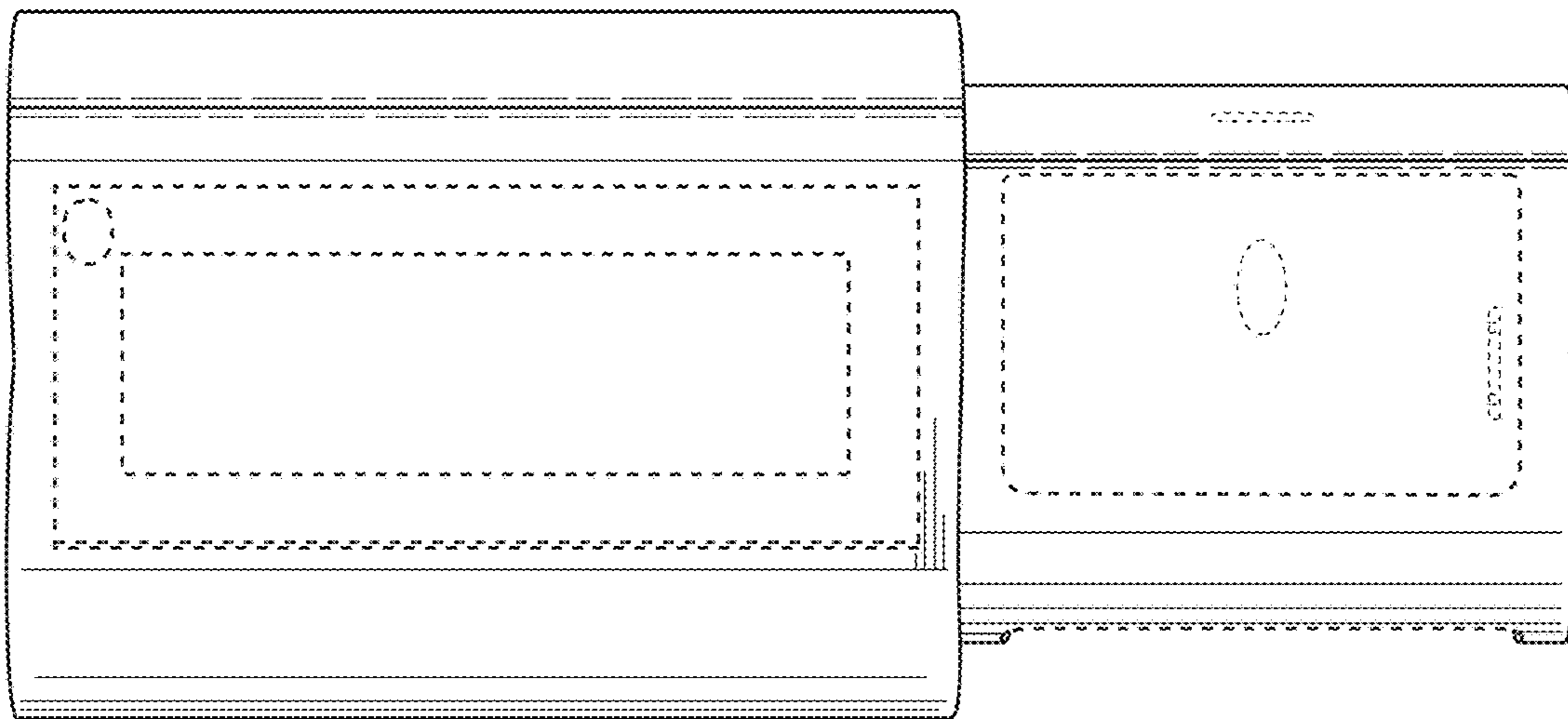


FIG. 7



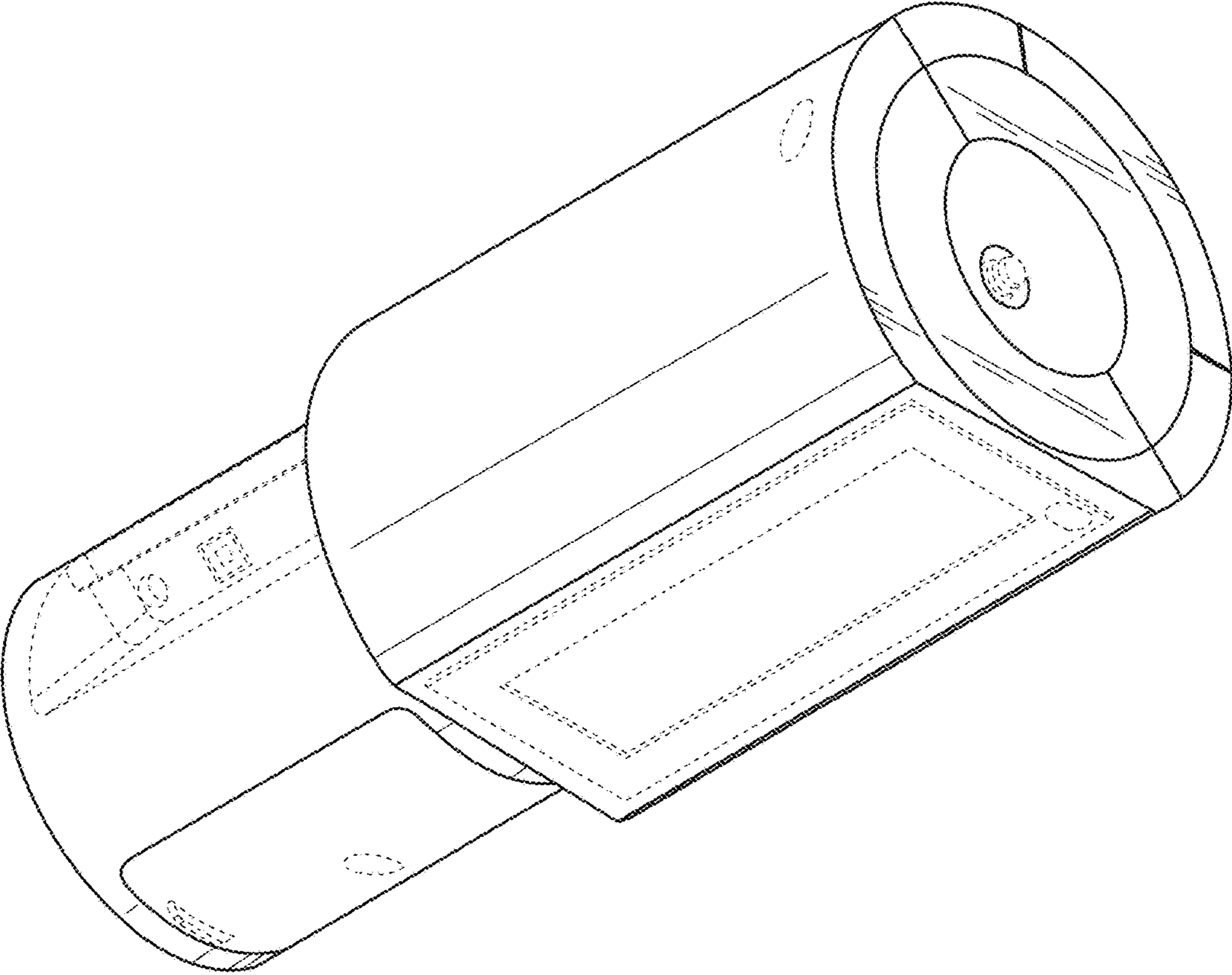


FIG. 8