



US00D795721S

(12) **United States Design Patent** (10) **Patent No.:** **US D795,721 S**  
**Ishii** (45) **Date of Patent:** **\*\* Aug. 29, 2017**

(54) **SURVEYING INSTRUMENT**

(71) Applicant: **TOPCON CORPORATION**, Tokyo (JP)

(72) Inventor: **Mitsuo Ishii**, Tokyo (JP)

(73) Assignee: **TOPCON CORPORATION**, Tokyo (JP)

(\*\*) Term: **15 Years**

(21) Appl. No.: **29/557,958**

(22) Filed: **Mar. 14, 2016**

(30) **Foreign Application Priority Data**

Jan. 27, 2016 (JP) ..... 2016-001576

(51) **LOC (10) Cl.** ..... **10-04**

(52) **U.S. Cl.**  
USPC ..... **D10/74; D13/162.1; D14/389**

(58) **Field of Classification Search**  
USPC ..... D10/49-50, 66, 74, 103; D13/162, D13/162.1, 177; D14/126, 336, 371, 374, D14/389; 341/12; 345/104, 156, 168, 345/173-178, 905; 348/180, 184, 325, 348/739, 790-794, 836; 349/1, 2, 11, 12, 349/58-60  
CPC ... A61B 5/4869; A61B 5/4872; A61B 5/0537; A61B 5/742-5/745; A61B 8/46-8/469; G01G 1/00-1/42; G01G 3/00-3/18; G01G 5/00-5/06; G01G 7/00-7/06; G01G 9/00; G01G 9/005; G01G 11/00

See application file for complete search history.

(56) **References Cited**

U.S. PATENT DOCUMENTS

D431,199 S \* 9/2000 Bennett ..... D10/103  
D447,066 S \* 8/2001 Takayama ..... D10/66  
D471,476 S \* 3/2003 Chang ..... D10/103  
D781,730 S \* 3/2017 Ishii ..... D10/66  
9,599,476 B2 \* 3/2017 Mund ..... G01C 21/32

\* cited by examiner

*Primary Examiner* — Antoine D Davis

(74) *Attorney, Agent, or Firm* — Muncy, Geissler, Olds & Lowe, P.C.

(57) **CLAIM**

The ornamental design for a surveying instrument, as shown and described.

**DESCRIPTION**

FIG. 1 is a front view of the surveying instrument showing my new design;

FIG. 2 is a rear view thereof;

FIG. 3 is a top plan view thereof;

FIG. 4 is a bottom view thereof;

FIG. 5 is a right side view thereof;

FIG. 6 is a left side view thereof;

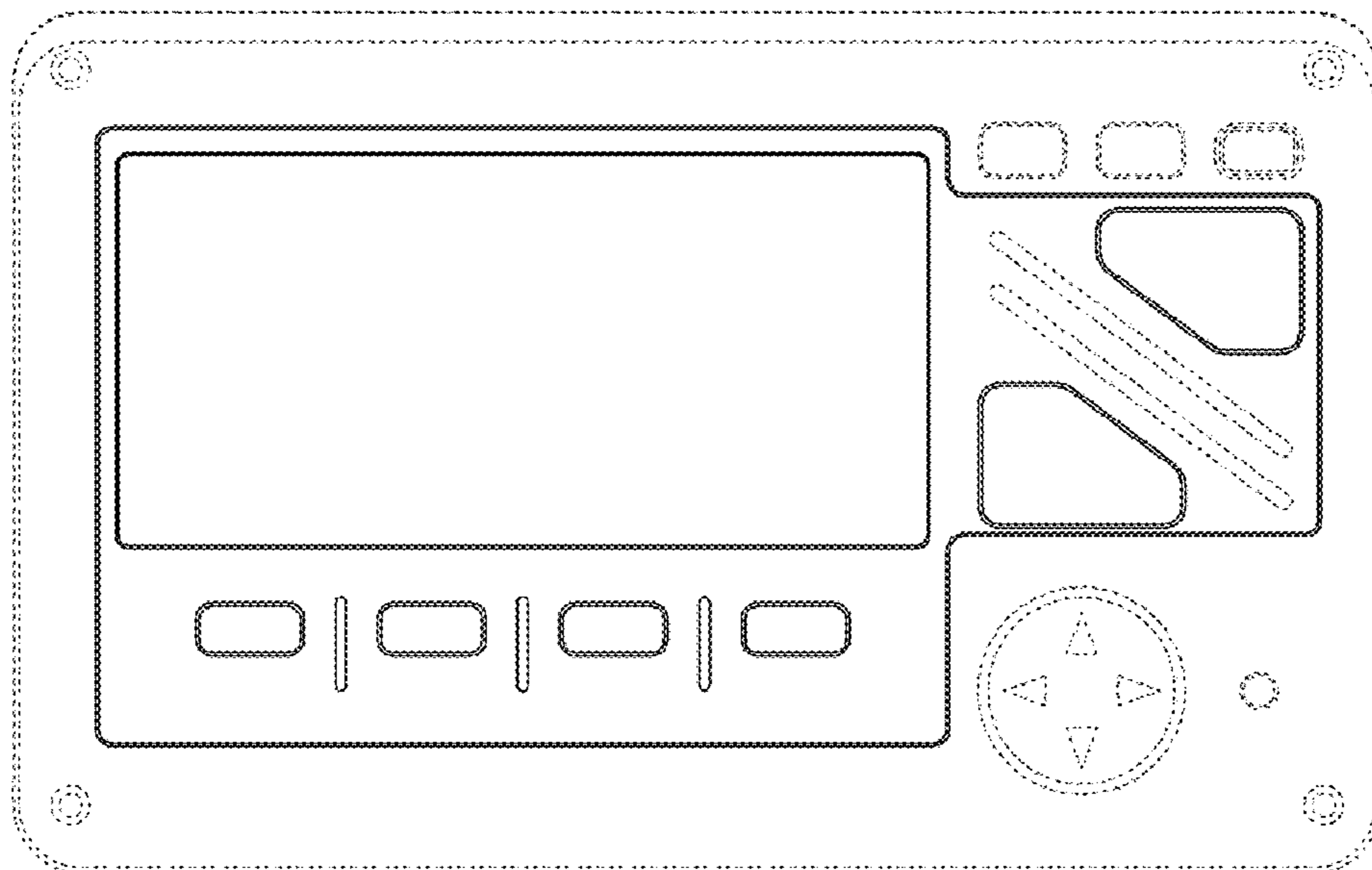
FIG. 7 is a perspective view thereof;

FIG. 8 is an enlarged view of a screen display of the surveying instrument in FIG. 1; and,

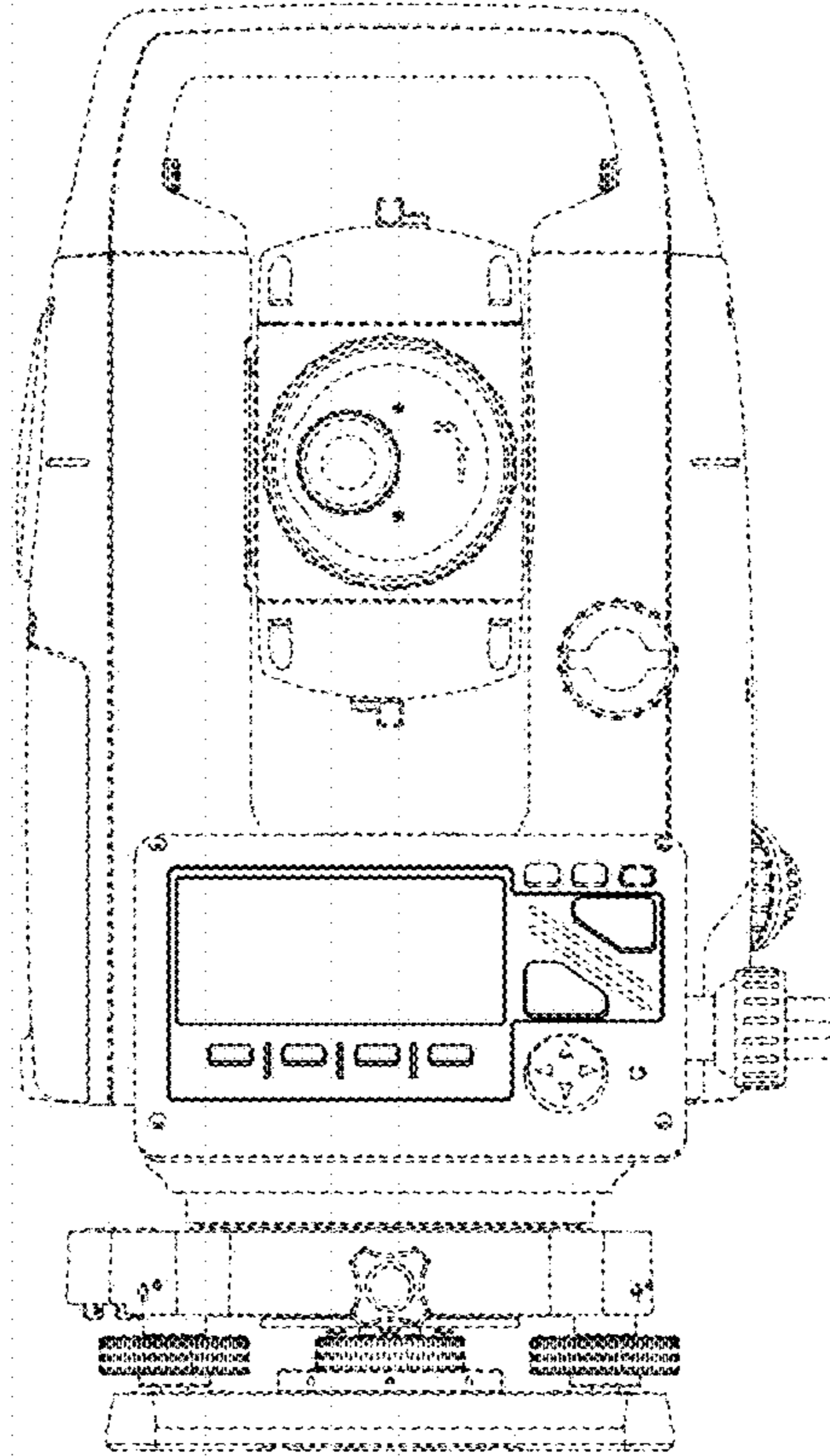
FIG. 9 is an enlarged view of the screen display, taken along lines 9-9 in FIG. 7.

The broken line showing is for the purpose of illustrating environmental structure and forms no part of the claimed the design.

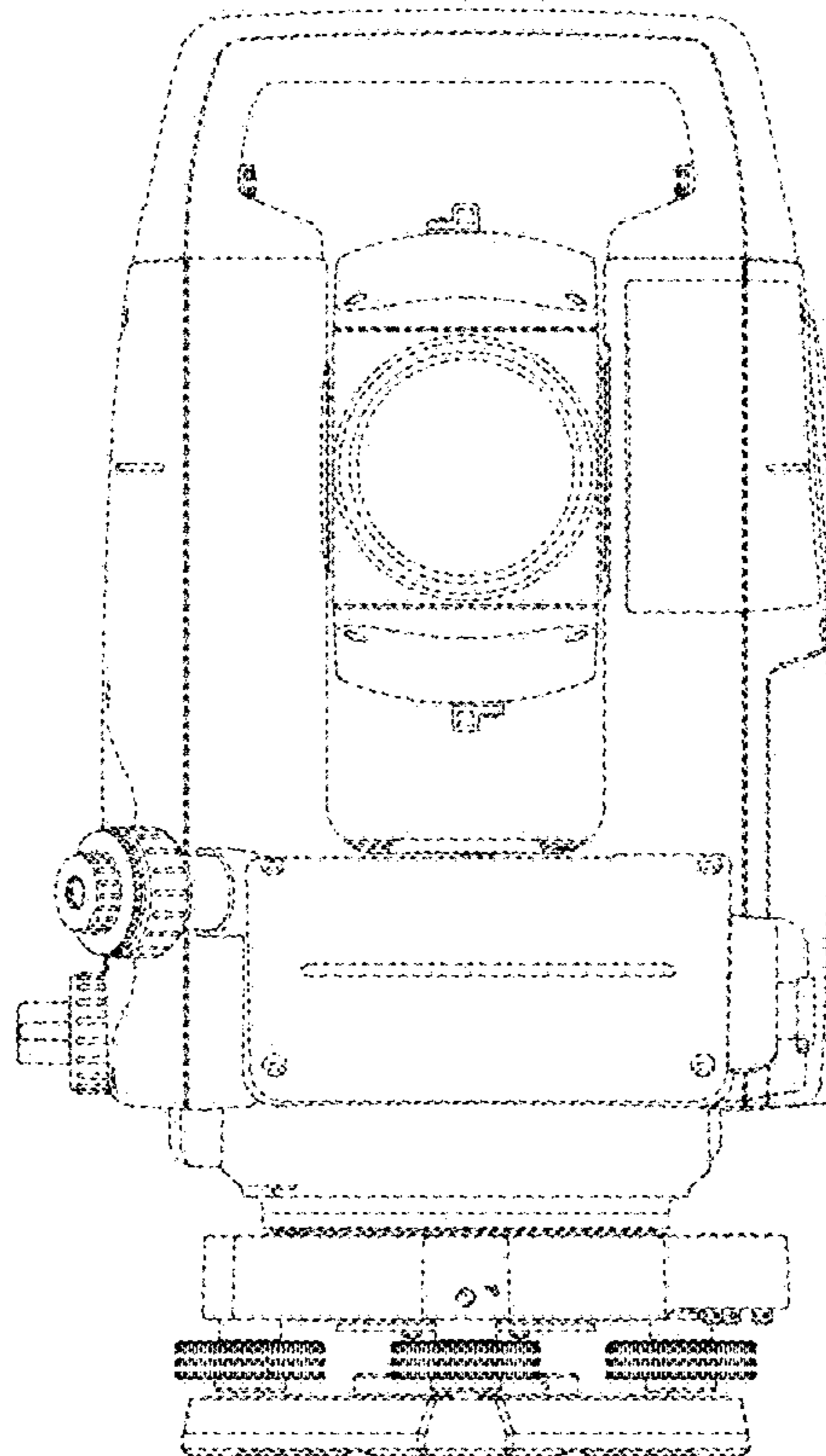
**1 Claim, 5 Drawing Sheets**



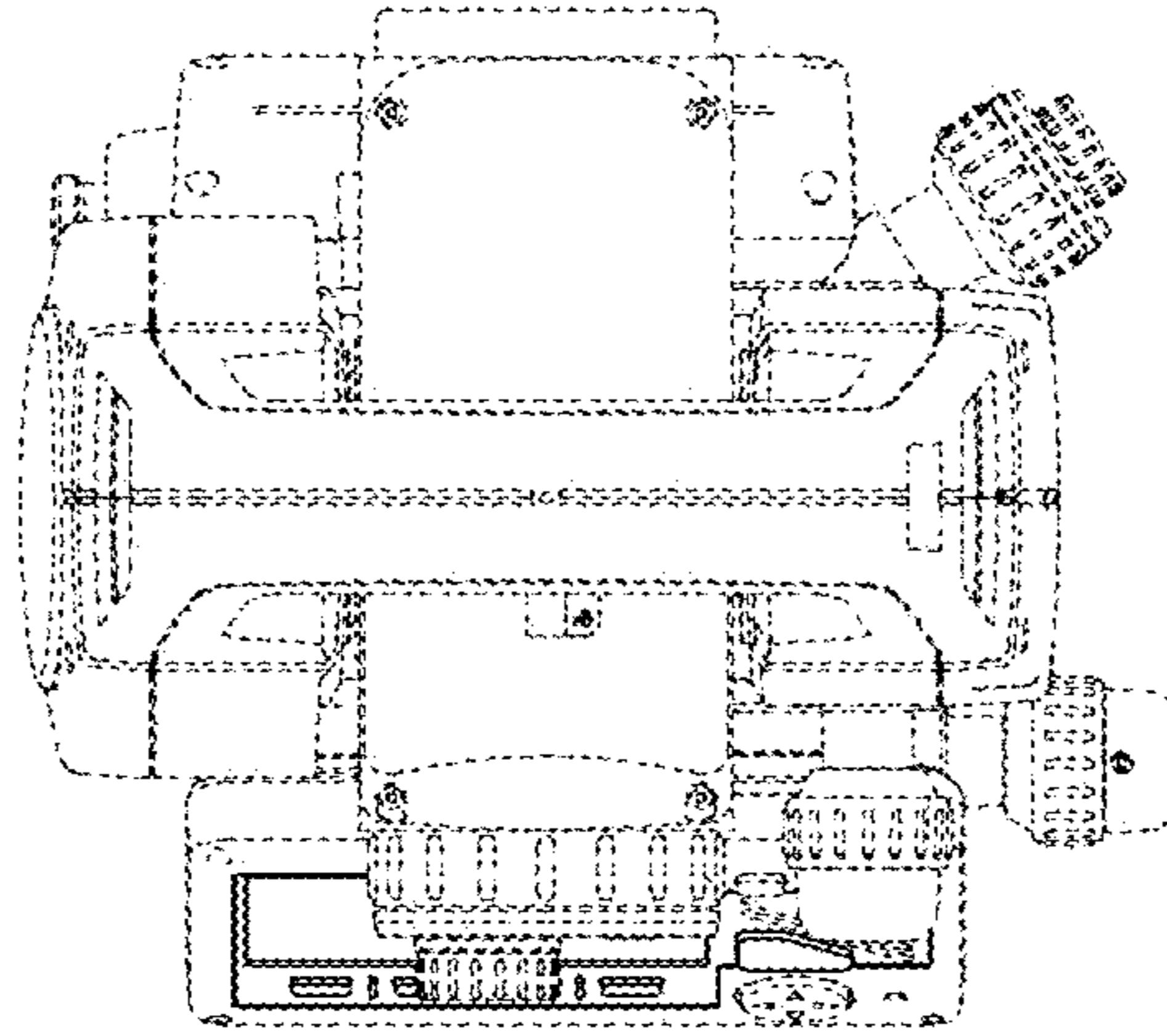
**Fig. 1**



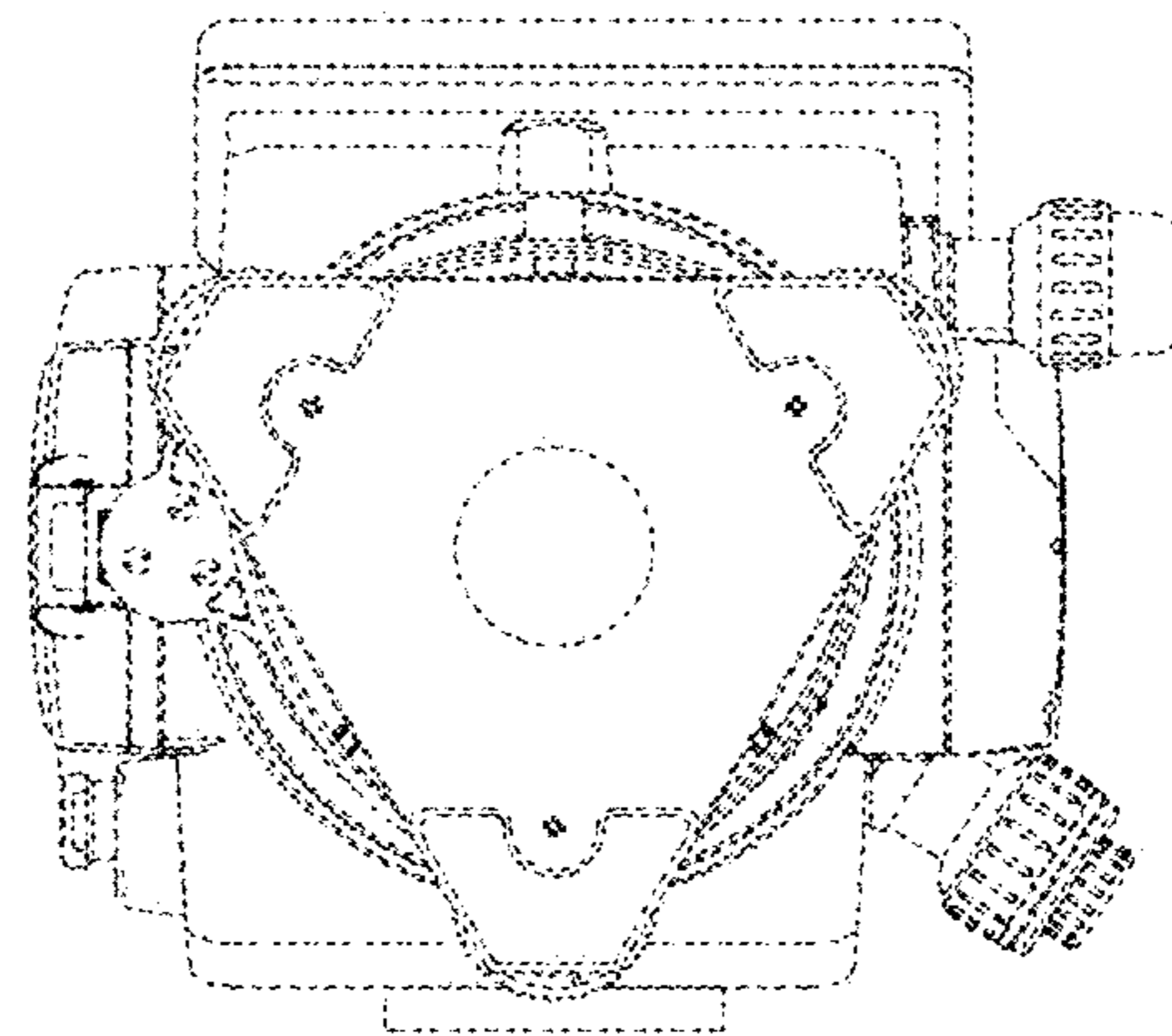
**Fig. 2**



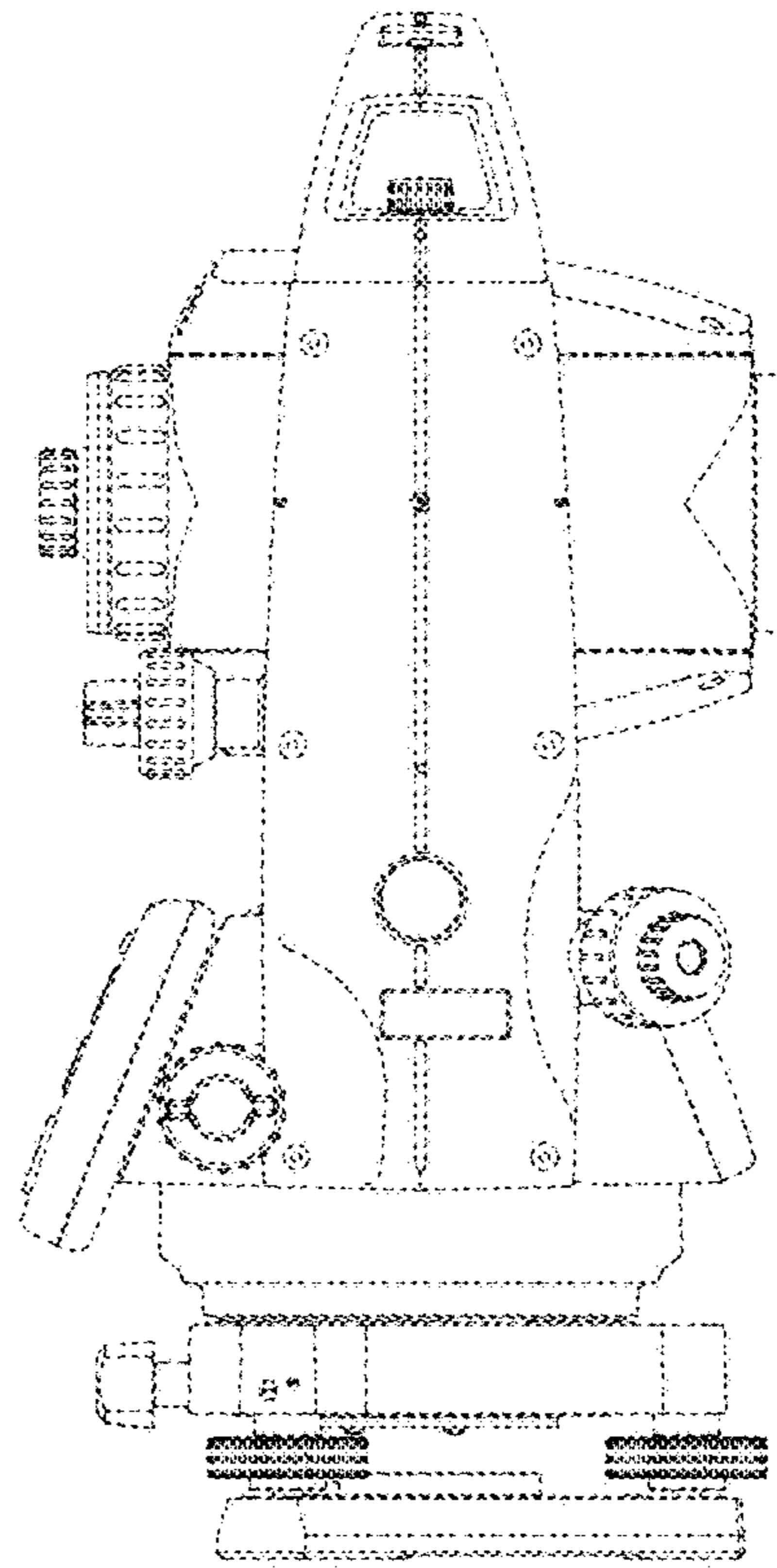
**Fig. 3**



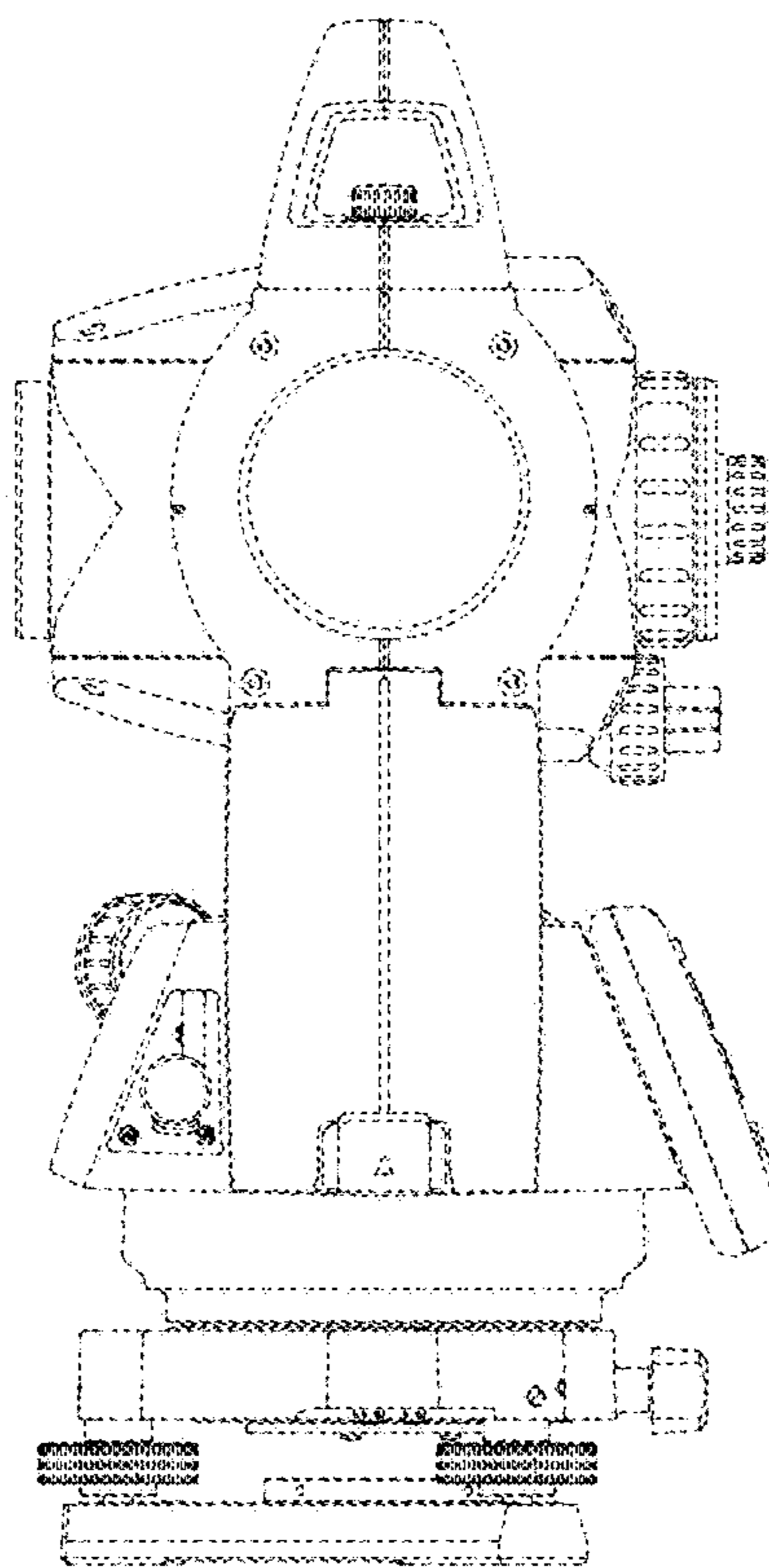
**Fig. 4**



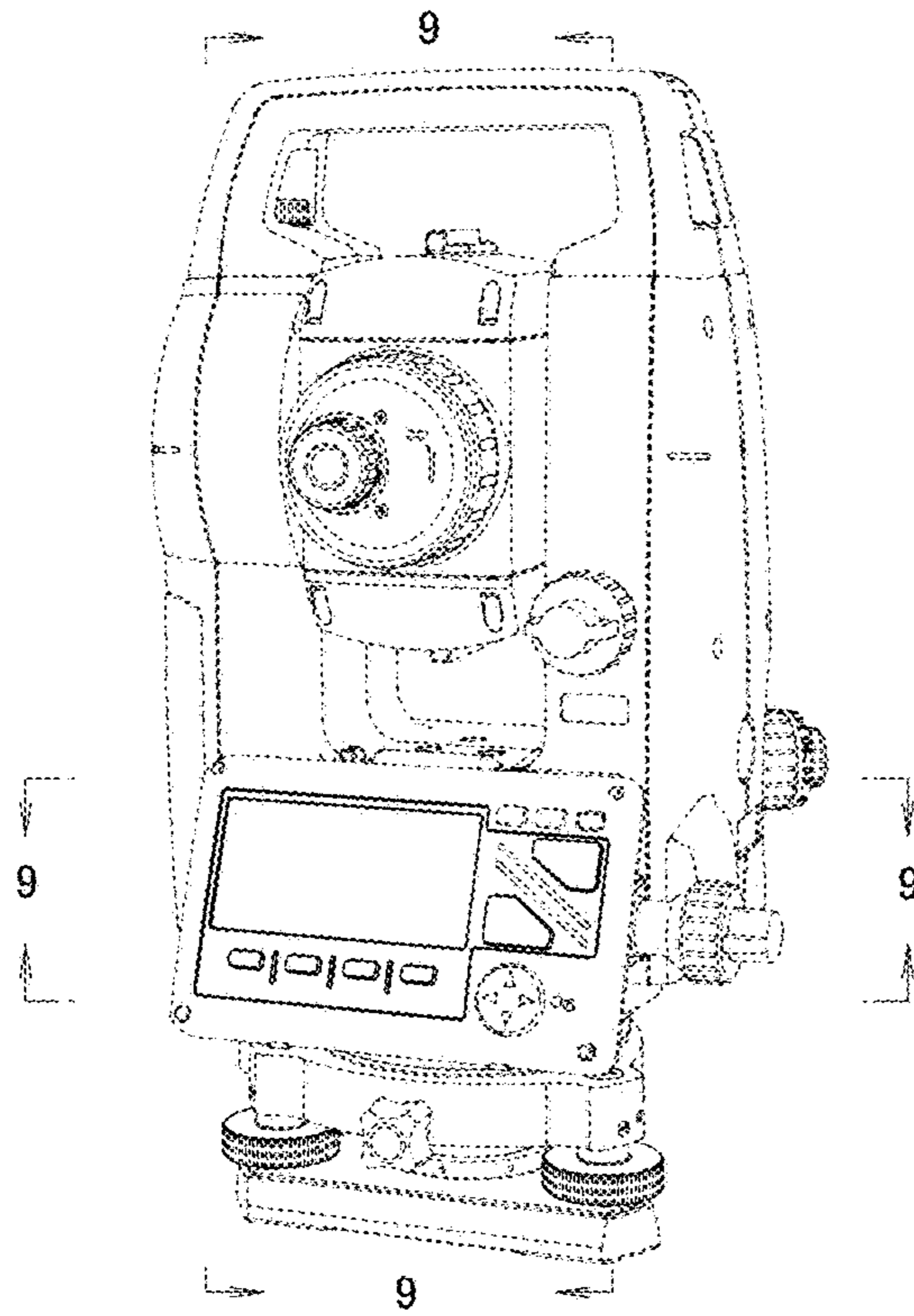
**Fig. 5**



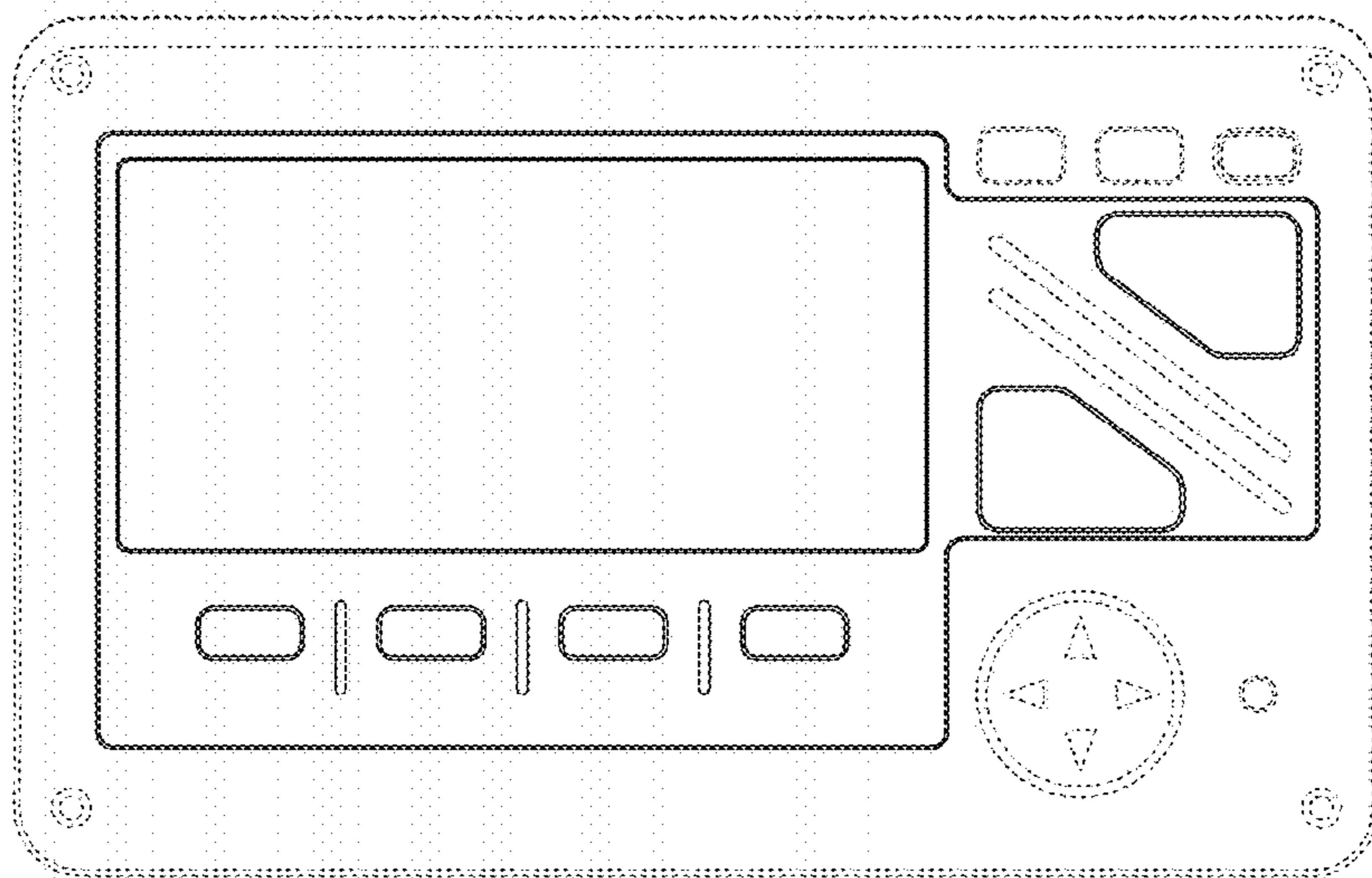
**Fig. 6**



**Fig. 7**



**Fig. 8**



**Fig. 9**

