

US00D795720S

(12) **United States Design Patent** (10) **Patent No.:** **US D795,720 S**
Ishii et al. (45) **Date of Patent:** **** Aug. 29, 2017**

(54) **SURVEYING INSTRUMENT**

D447,066 S * 8/2001 Takayama D10/66
D780,130 S * 2/2017 Kashimoto D13/168
D781,730 S * 3/2017 Ishii D10/66

(71) Applicant: **TOPCON CORPORATION**, Tokyo (JP)

* cited by examiner

(72) Inventors: **Mitsuo Ishii**, Tokyo (JP); **Kazuhiro Morita**, Tokyo (JP)

Primary Examiner — Antoine D Davis
(74) *Attorney, Agent, or Firm* — Muncy, Geissler, Olds & Lowe, P.C.

(73) Assignee: **TOPCON CORPORATION**, Tokyo (JP)

(**) Term: **15 Years**

(21) Appl. No.: **29/557,953**

(22) Filed: **Mar. 14, 2016**

(30) **Foreign Application Priority Data**

Jan. 18, 2016 (JP) 2016-000792
Jan. 18, 2016 (JP) 2016-000793

(51) **LOC (10) Cl.** **10-04**

(52) **U.S. Cl.**
USPC **D10/74**; D13/162.1; D14/389

(58) **Field of Classification Search**
USPC D10/49–50, 66, 74, 103; D13/162, D13/162.1, 177; D14/126, 336, 371, 374, D14/389; 341/12; 345/104, 156, 168, 345/173–178, 905; 348/180, 184, 325, 348/739, 790–794, 836; 349/1, 2, 11, 12, 349/58–60
CPC ... A61B 5/4869; A61B 5/4872; A61B 5/0537; A61B 5/742–5/745; A61B 8/46–8/469; G01G 1/00–1/42; G01G 3/00–3/18; G01G 5/00–5/06; G01G 7/00–7/06; G01G 9/00; G01G 11/00; G10G 9/005
See application file for complete search history.

(56) **References Cited**

U.S. PATENT DOCUMENTS

D431,199 S * 9/2000 Bennett D10/103

(57) **CLAIM**

The ornamental design for a surveying instrument, as shown and described.

DESCRIPTION

FIG. 1 is a front view of the surveying instrument showing our new design;
FIG. 2 is a rear view thereof;
FIG. 3 is a top plan view thereof;
FIG. 4 is a bottom view thereof;
FIG. 5 is a right side view thereof;
FIG. 6 is a left side view thereof;
FIG. 7 is a perspective view thereof;
FIG. 8 is a perspective view thereof;
FIG. 9 is an enlarged view of a display screen of the surveying instrument in FIG. 1;
FIG. 10 is a front view of another embodiment thereof;
FIG. 11 is a rear view thereof;
FIG. 12 is a top plan view thereof;
FIG. 13 is a bottom view thereof;
FIG. 14 is a right side view thereof;
FIG. 15 is a left side view thereof;
FIG. 16 is a perspective view thereof;
FIG. 17 is a perspective view thereof; and,
FIG. 18 is an enlarged view of a display screen of the surveying instrument in FIG. 10.
The broken line showing is for the purpose of illustrating environmental structure and forms no part of the claimed the design.

1 Claim, 10 Drawing Sheets

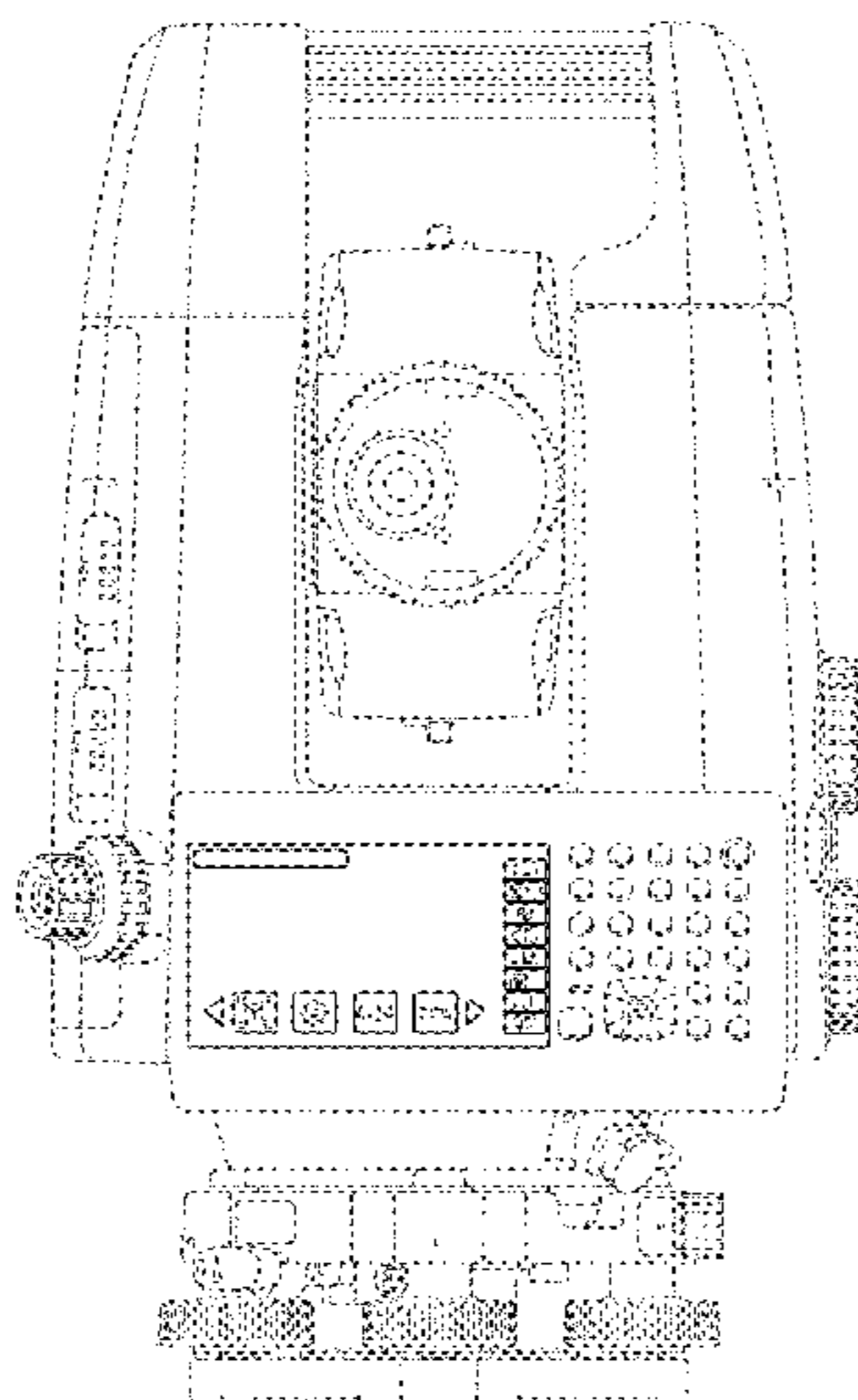


Fig. 1

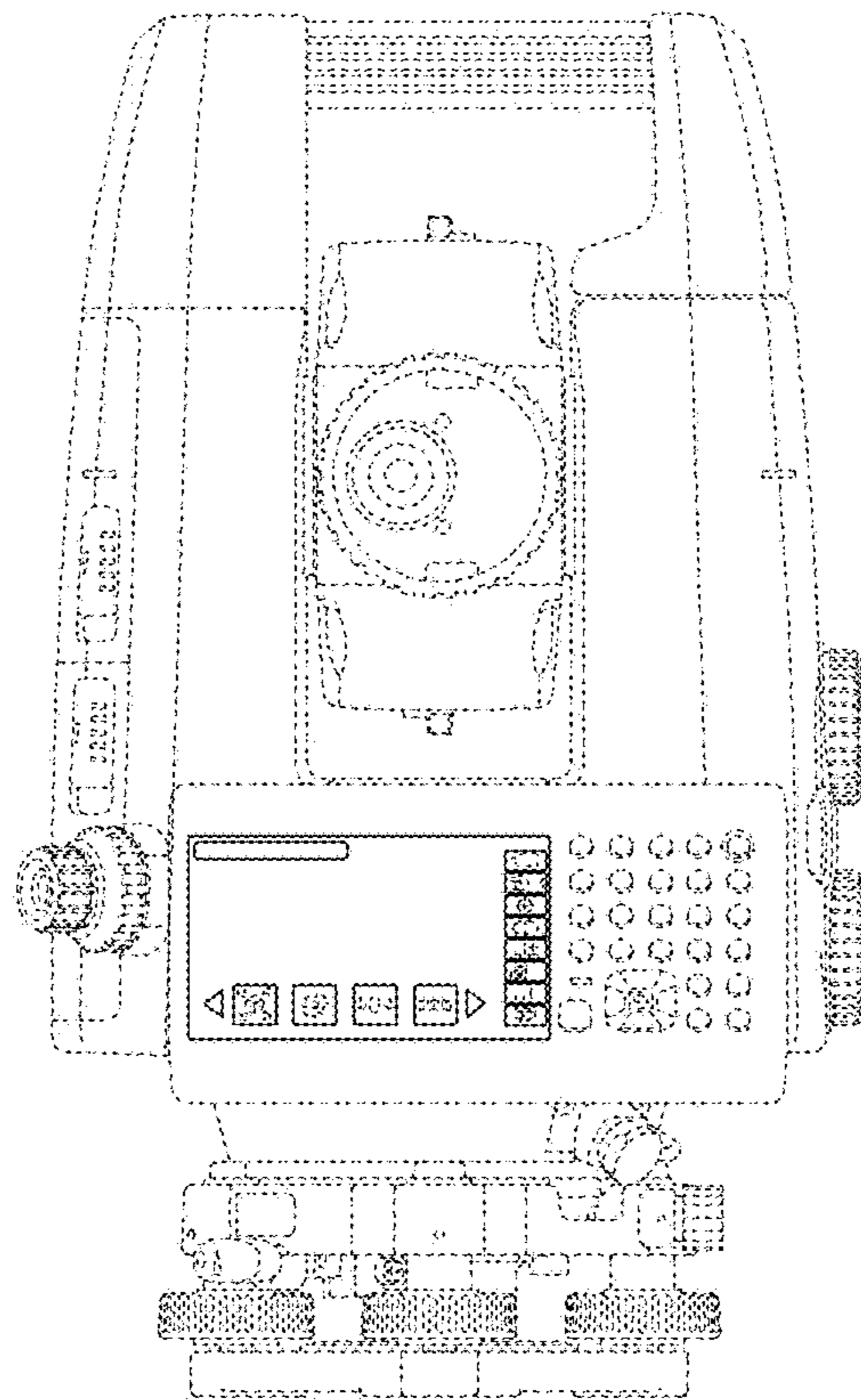


Fig. 2

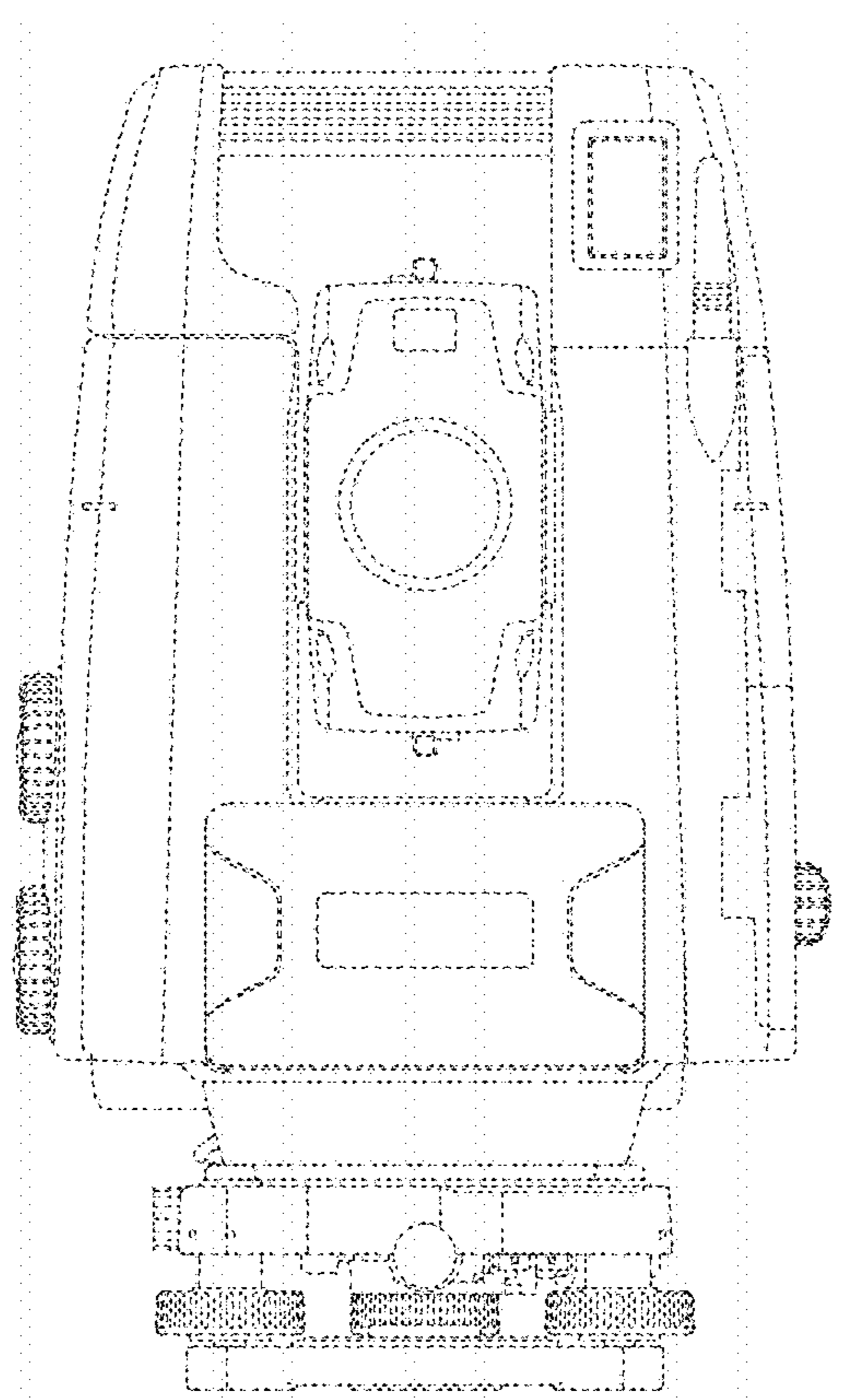


Fig. 3

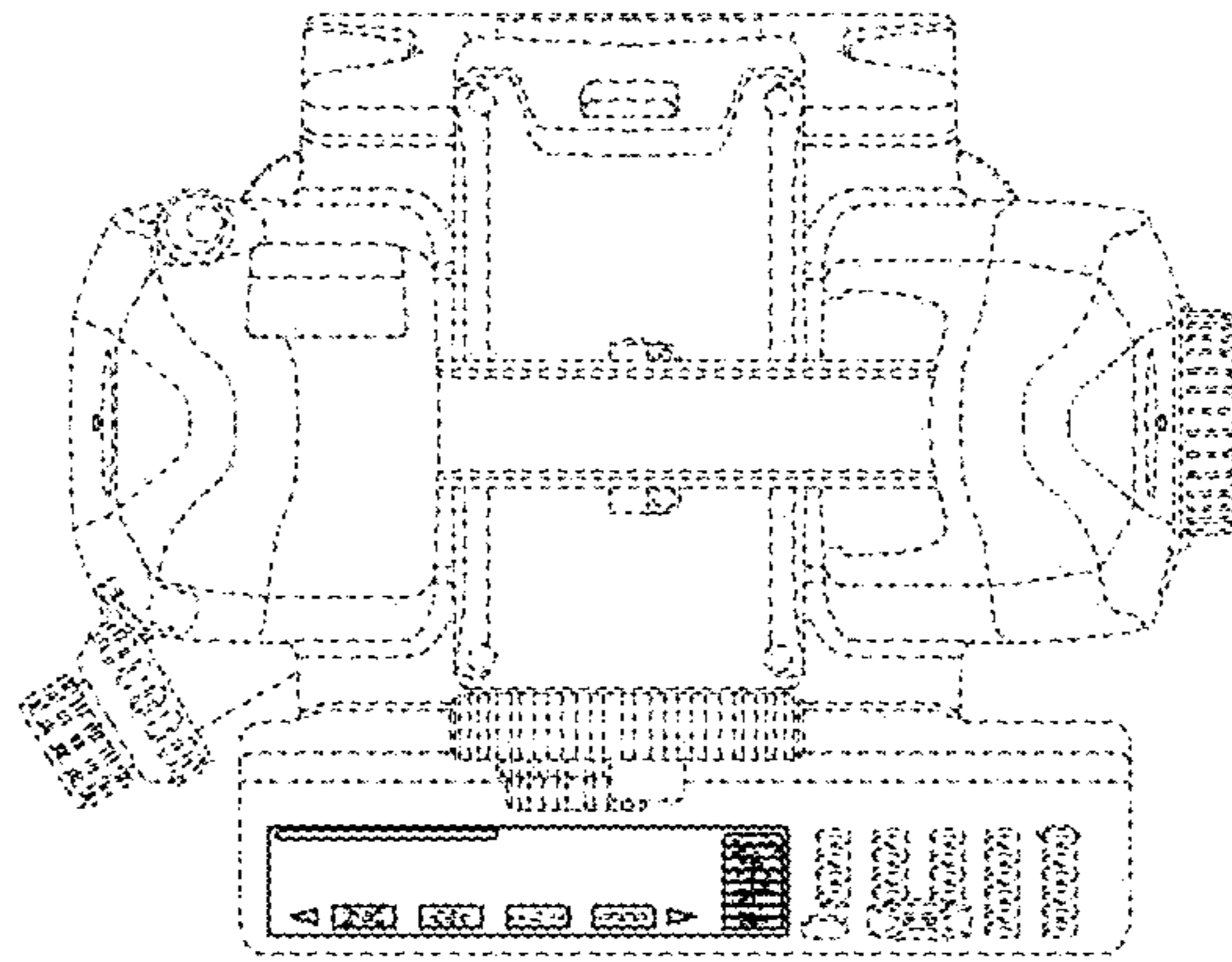


Fig. 4

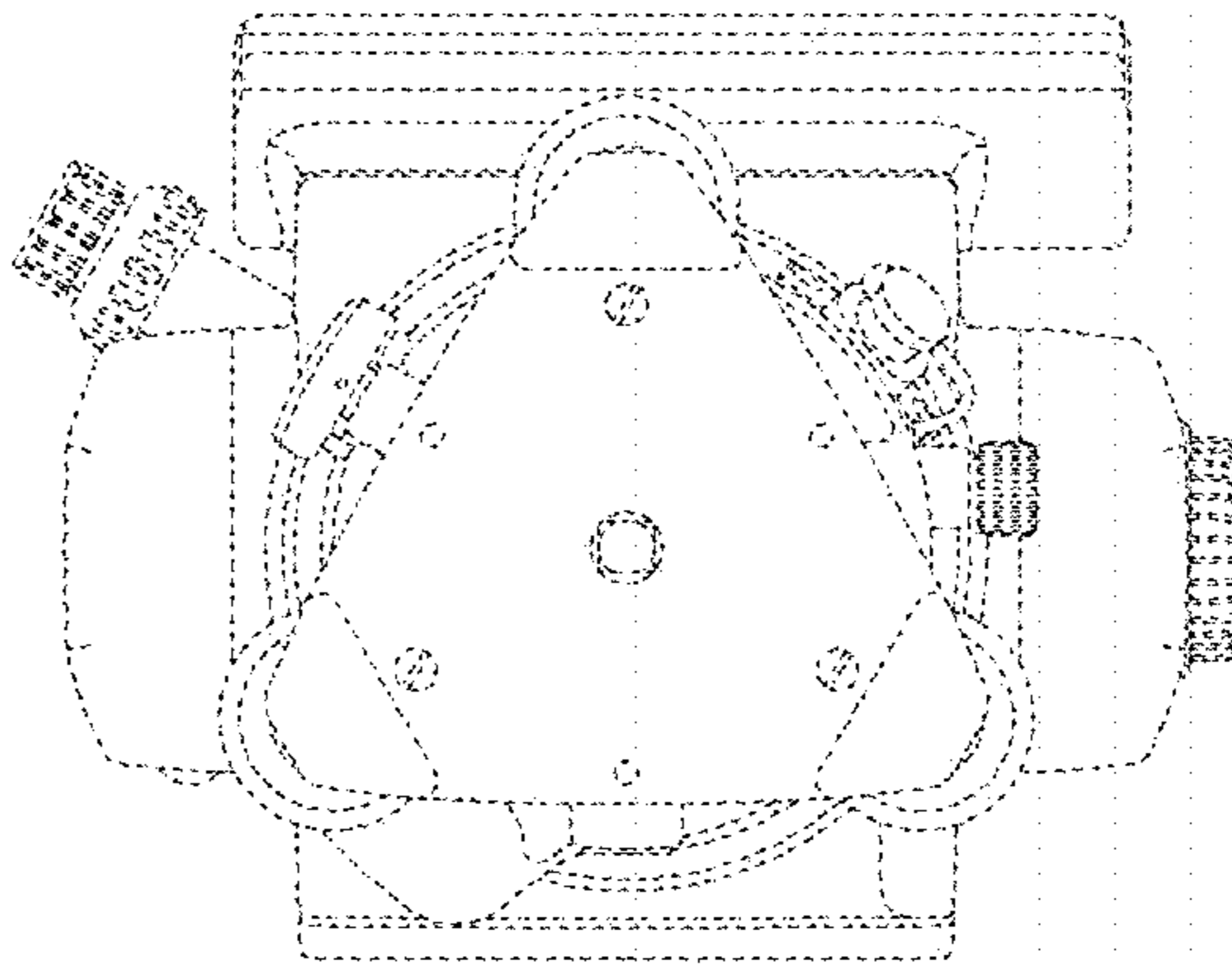


Fig. 5

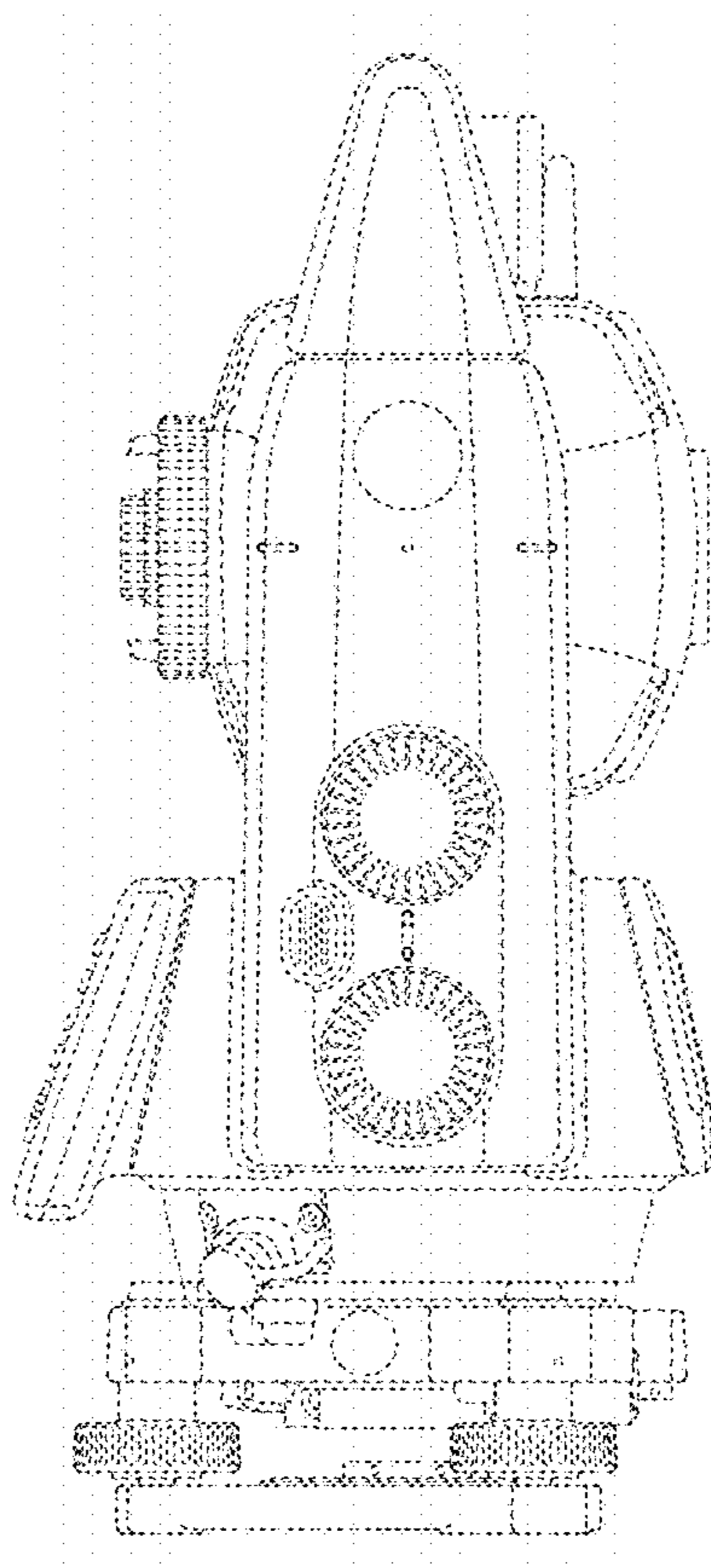


Fig. 6

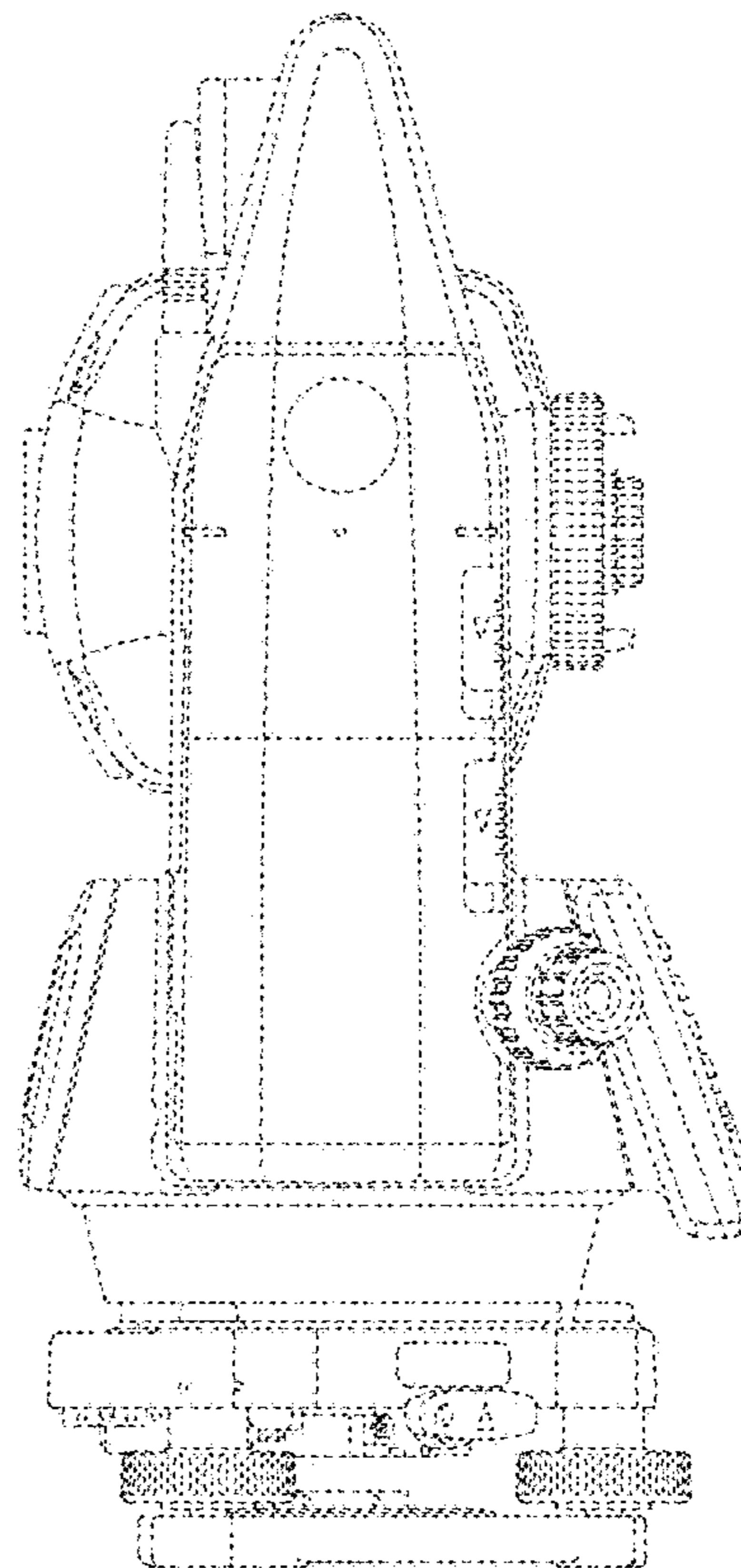


Fig. 7

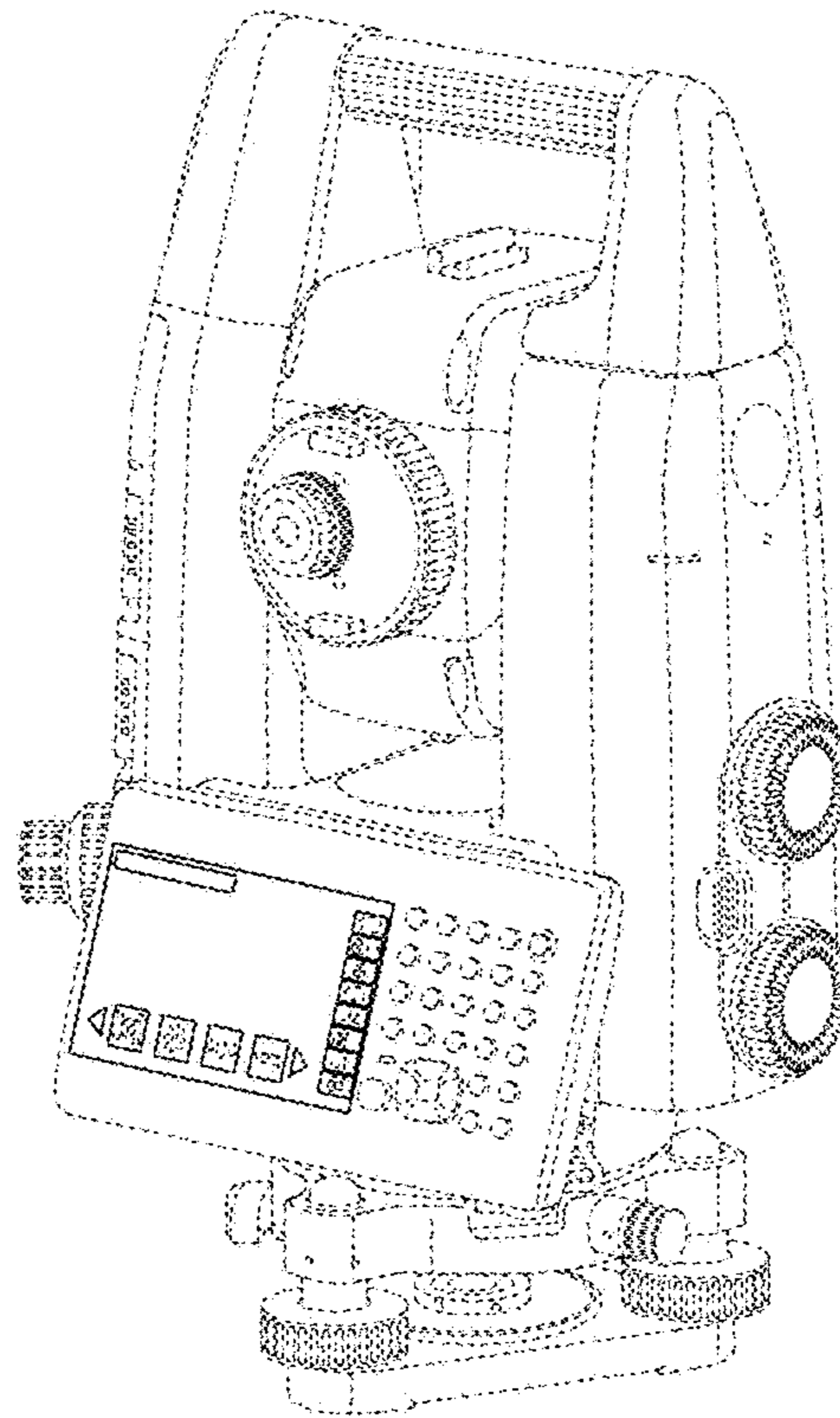


Fig. 8

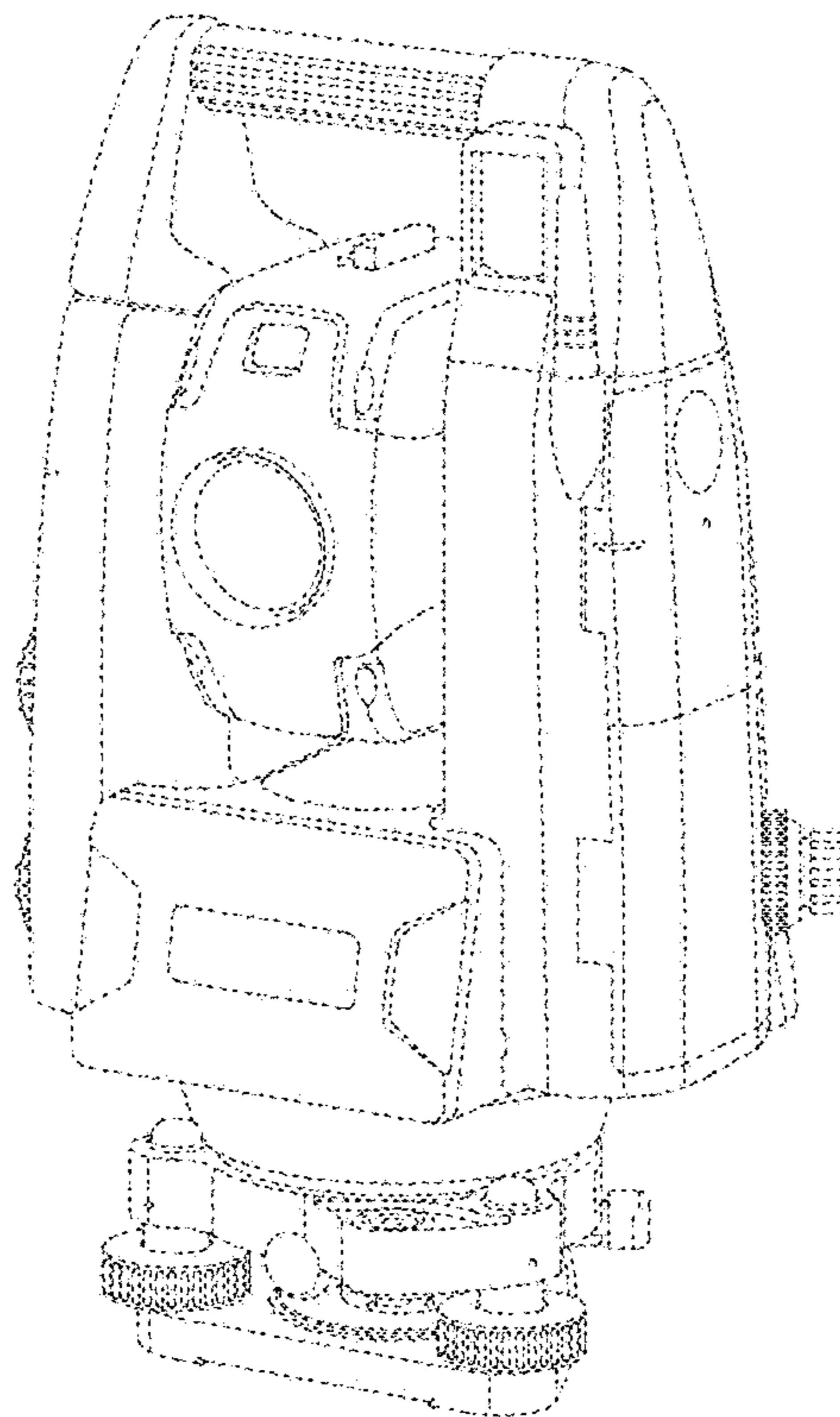


Fig. 9

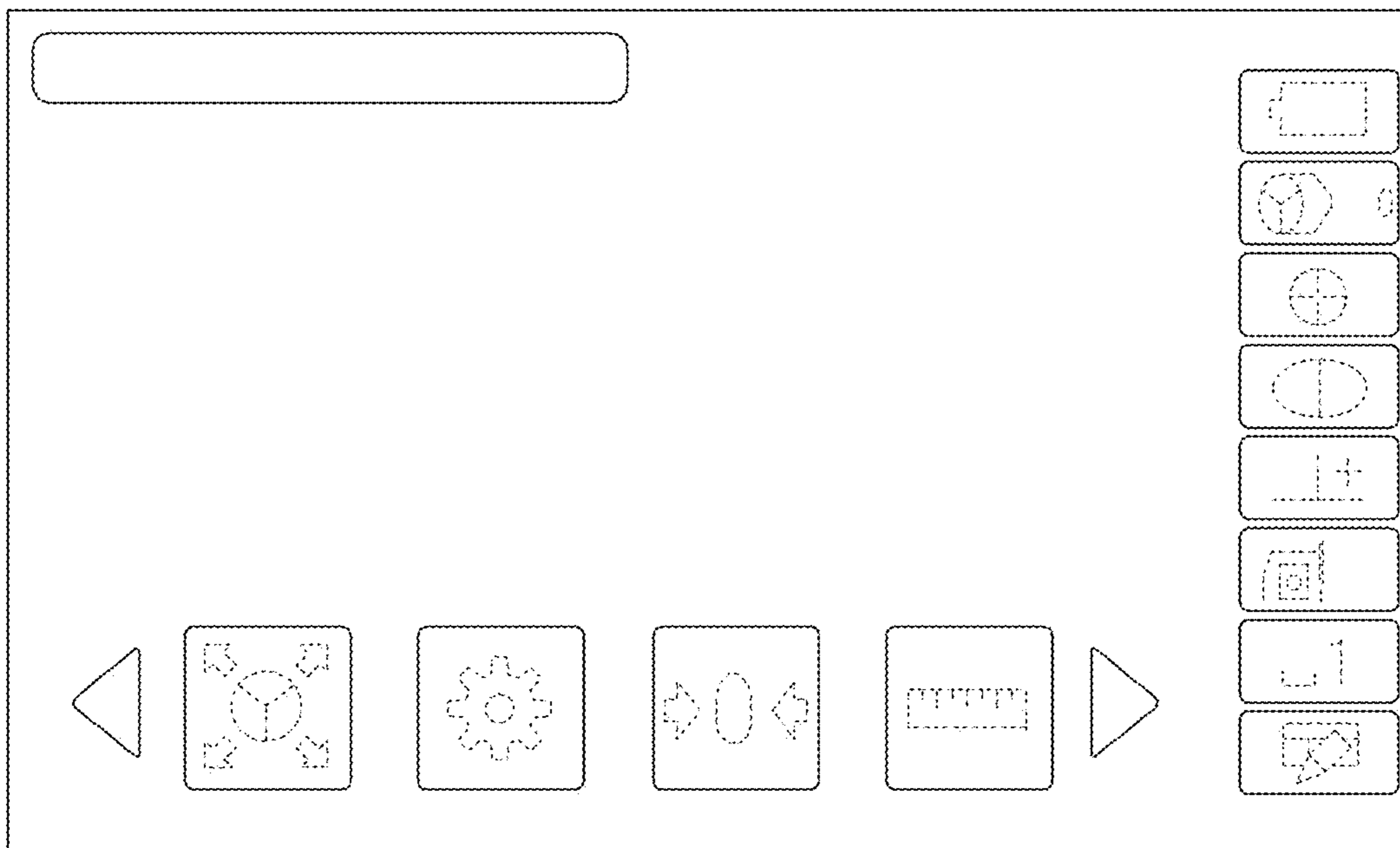


Fig. 10

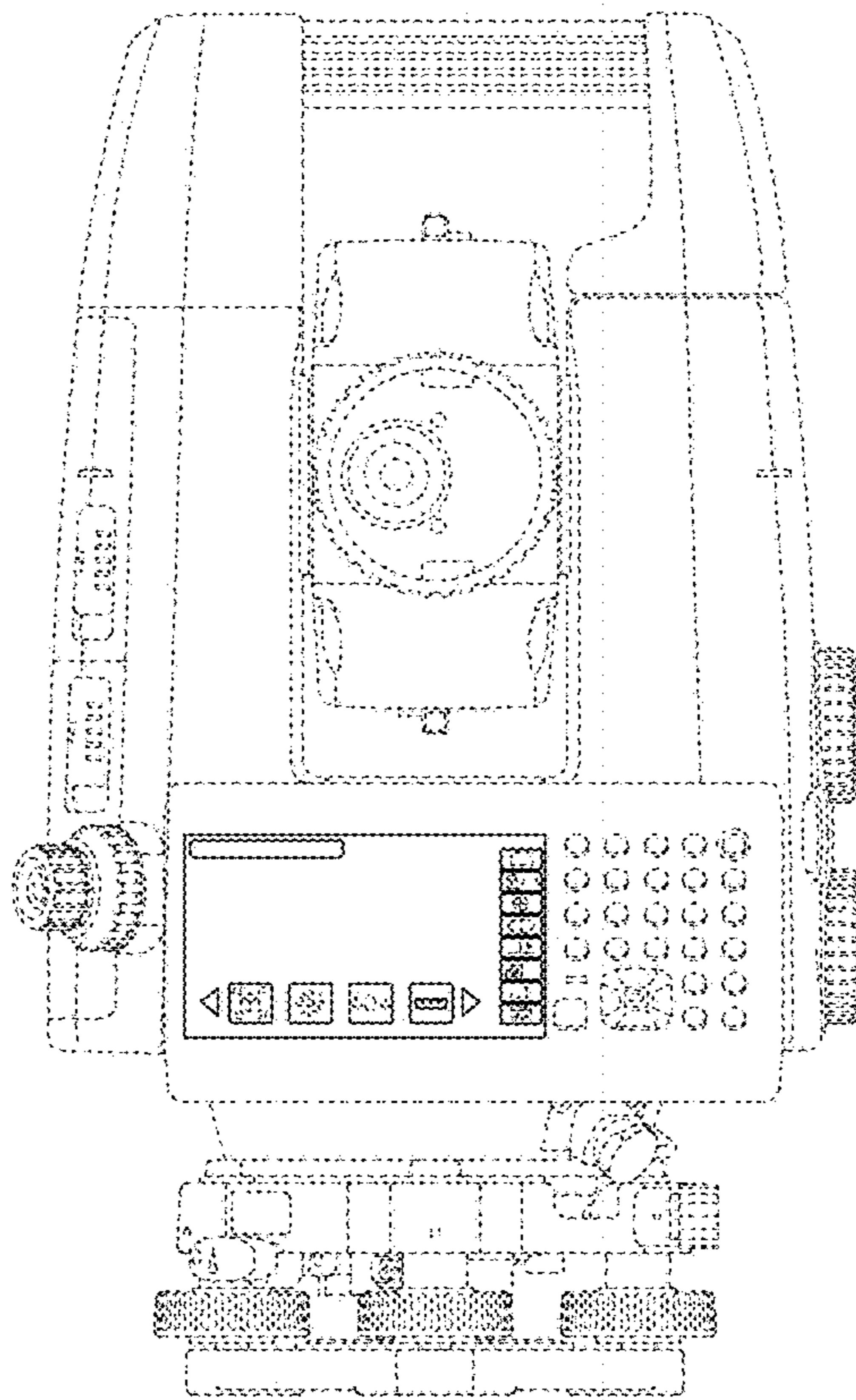


Fig. 11

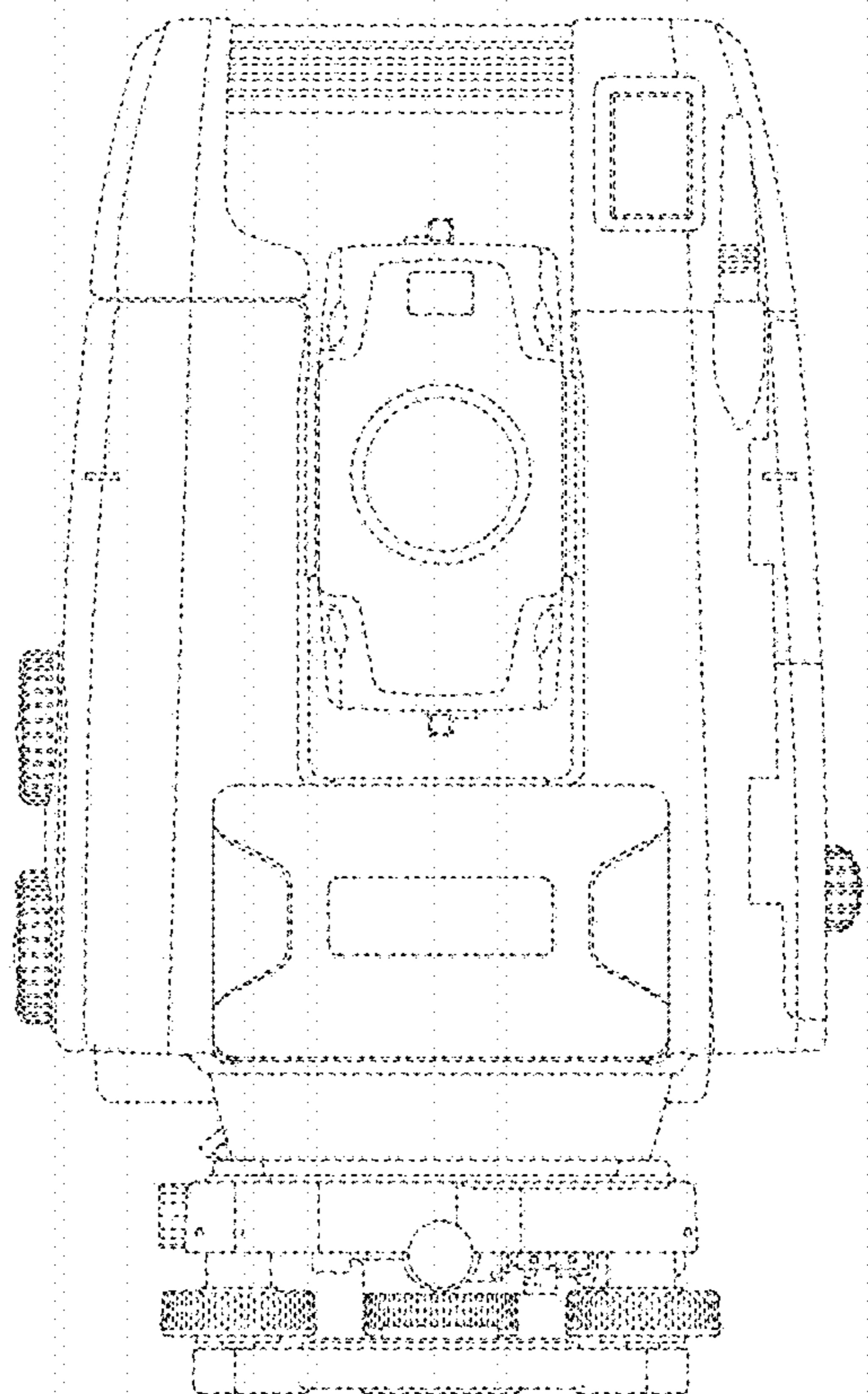


Fig. 12

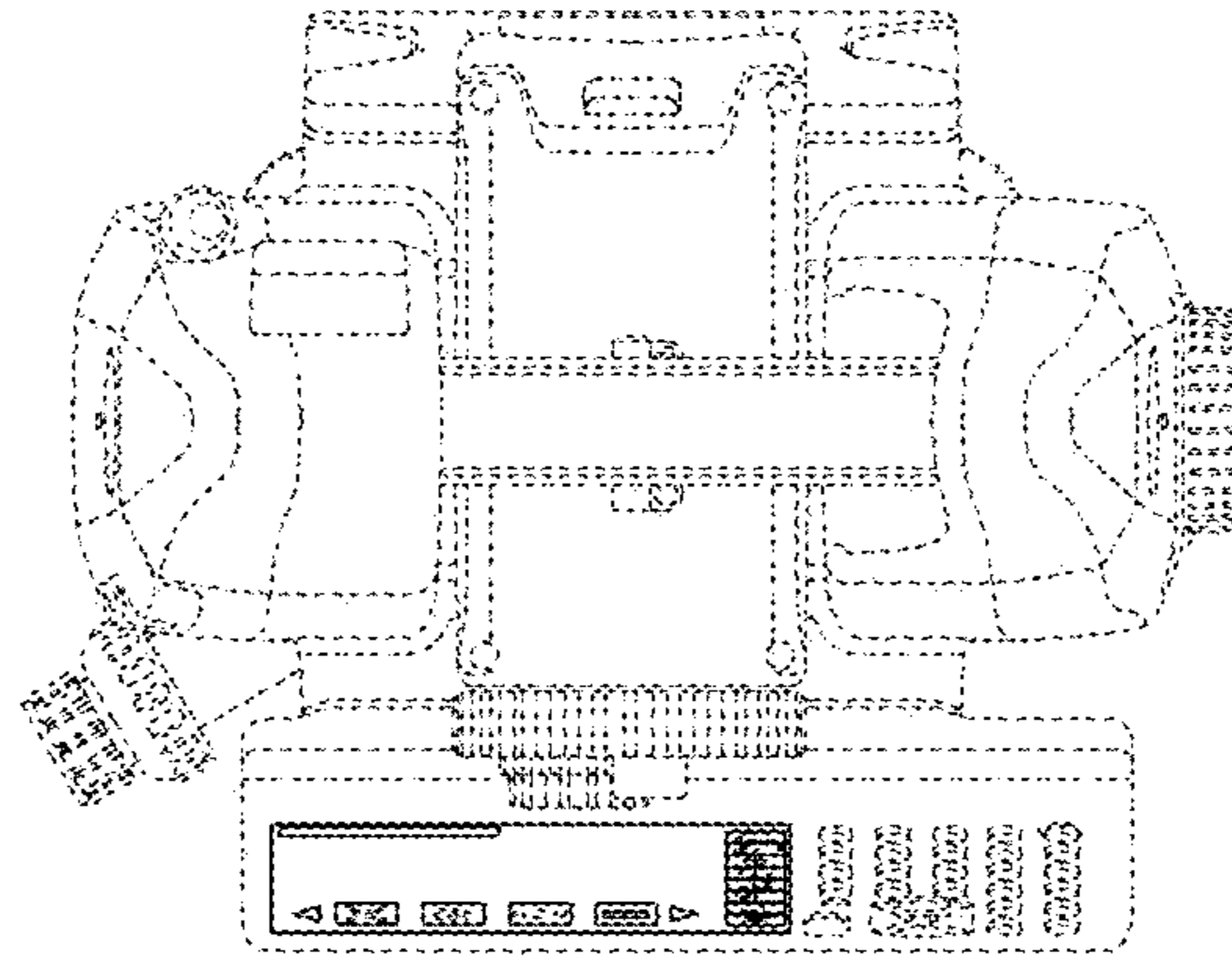


Fig. 13

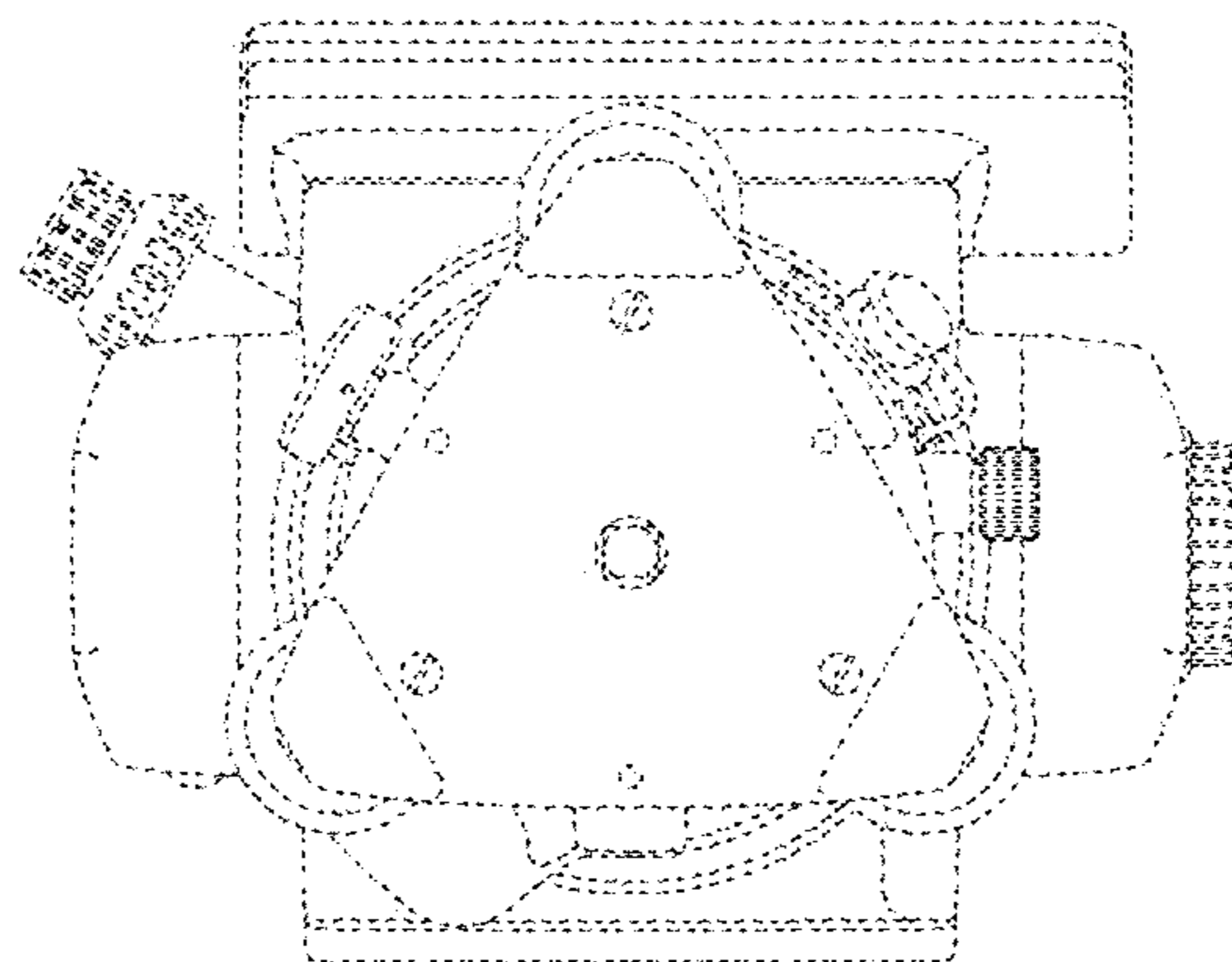


Fig. 14

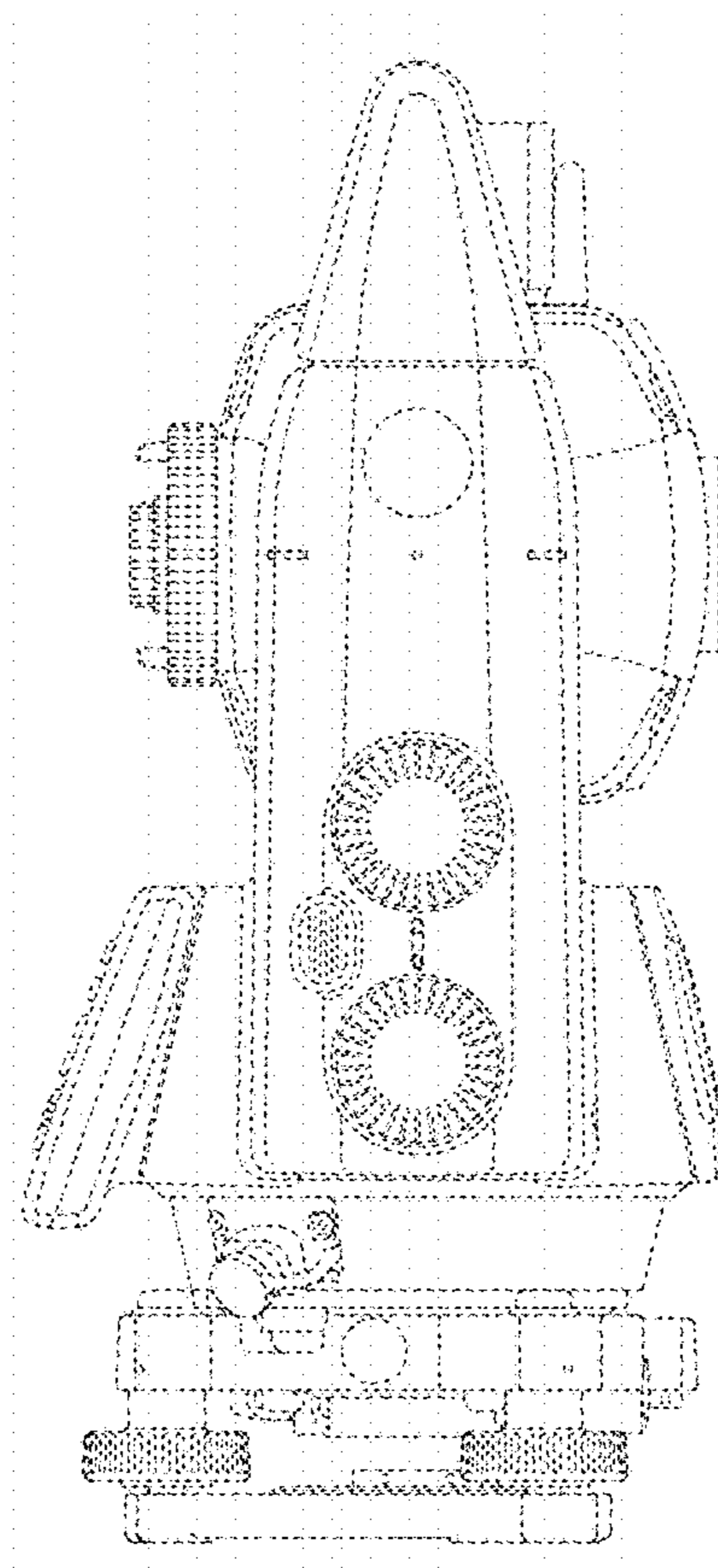


Fig. 15

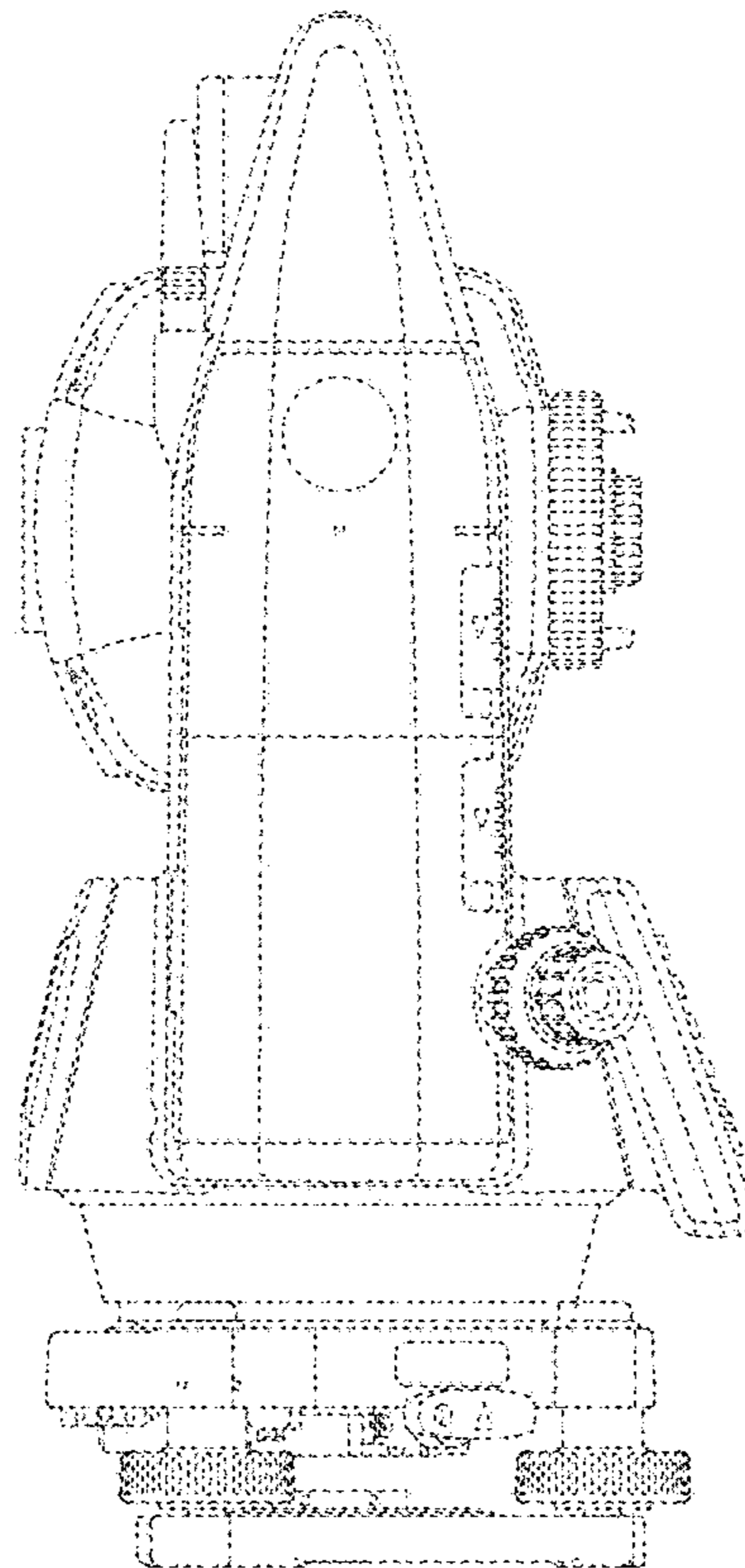


Fig. 16

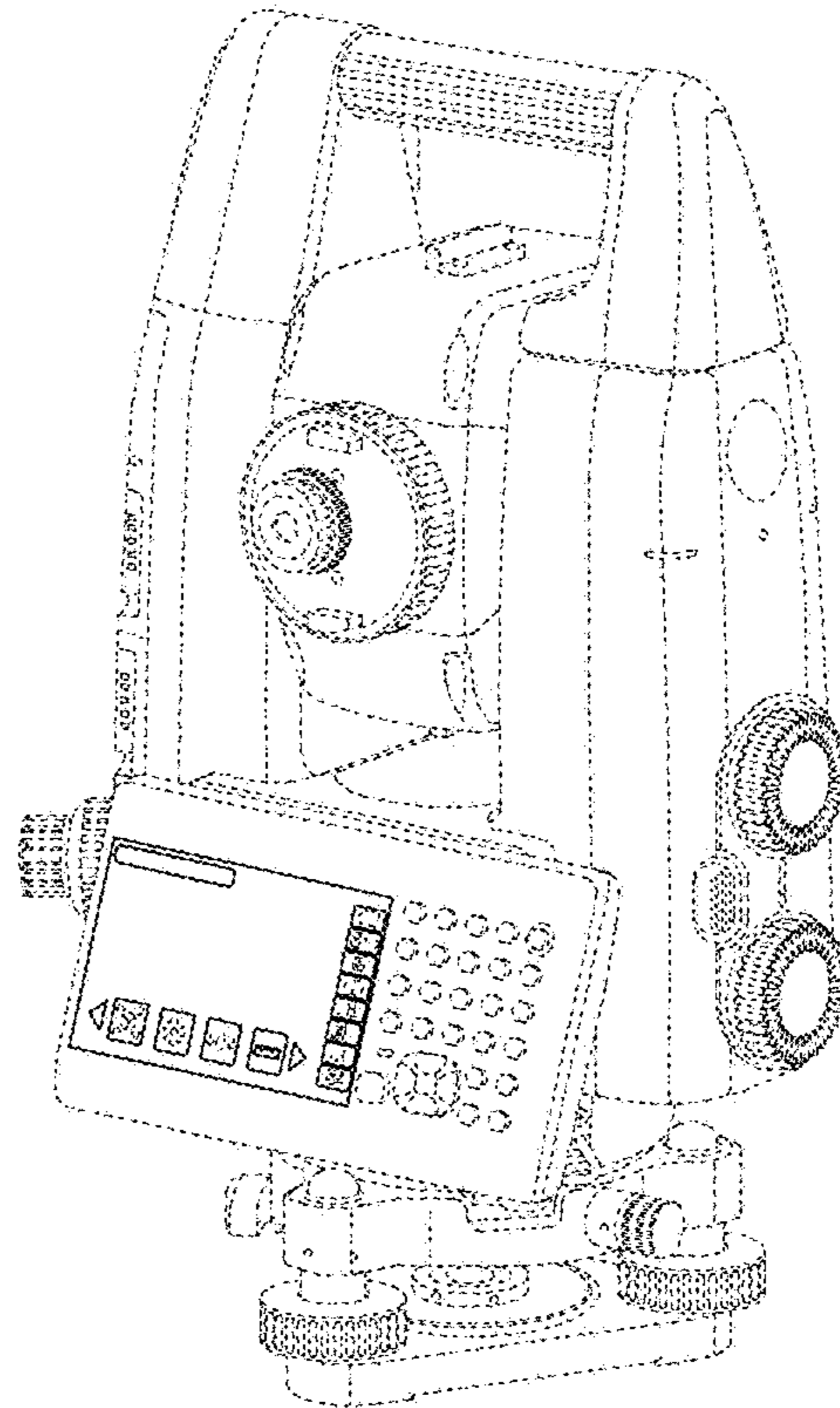


Fig. 17

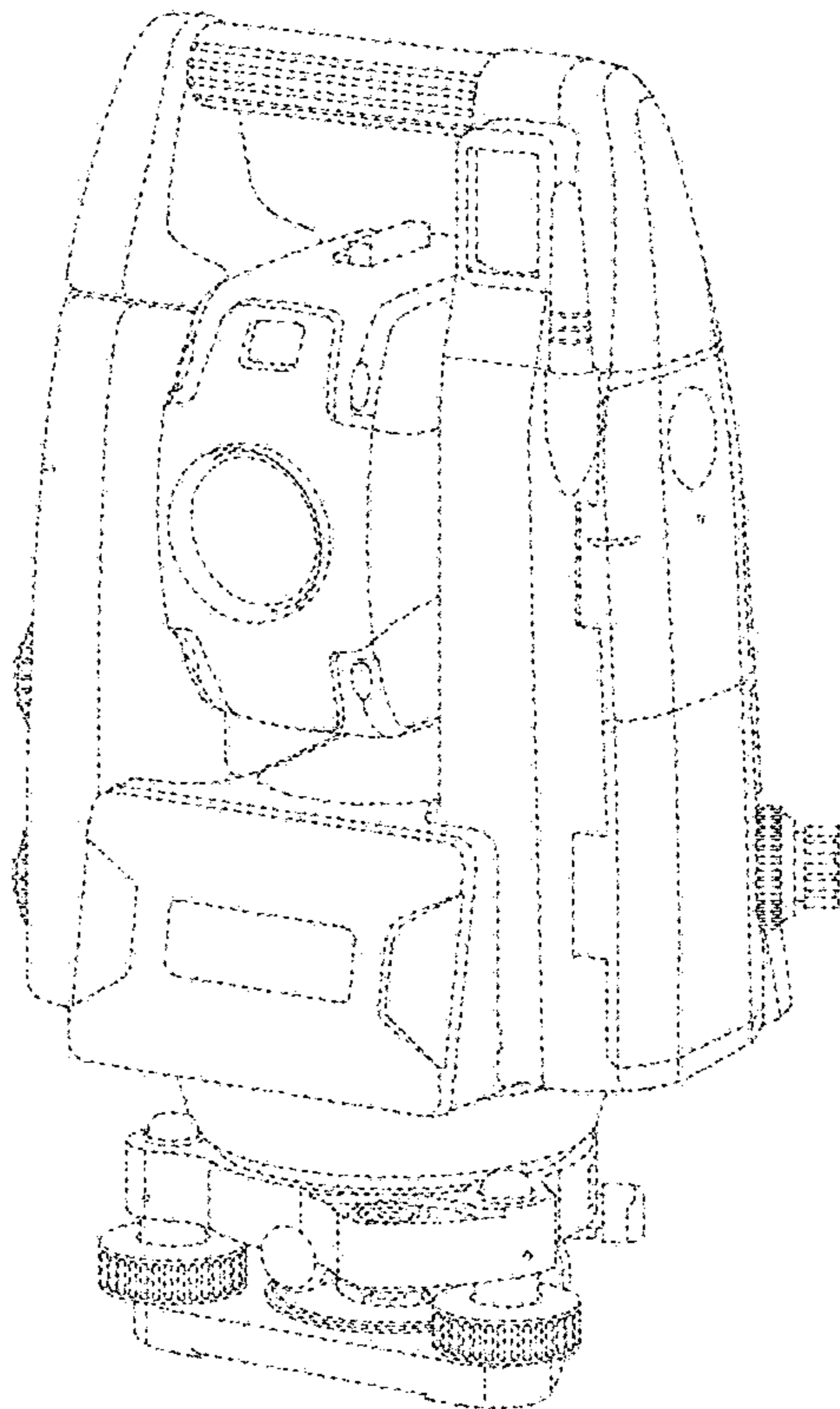


Fig. 18

