



US00D795718S

(12) **United States Design Patent** (10) **Patent No.:** **US D795,718 S**  
**Golnik et al.** (45) **Date of Patent:** **\*\* Aug. 29, 2017**

(54) **FITNESS MONITOR**

(71) Applicant: **Fossil Group, Inc.**, Richardson, TX (US)

(72) Inventors: **Timothy Golnik**, San Francisco, CA (US); **Diana Chang**, San Francisco, CA (US); **Scott Harold Wilson**, Chicago, IL (US); **Dennis Matthew Puhalla**, Oakland, CA (US); **Ishmael Kwame Adams**, Chicago, IL (US); **Keith Alsberg**, Evanston, IL (US); **Timothy Wilson Zarki**, San Francisco, CA (US)

(73) Assignee: **Fossil Group, Inc.**, Richardson, TX (US)

(\*\*) Term: **15 Years**

(21) Appl. No.: **29/550,472**

(22) Filed: **Jan. 4, 2016**

(51) **LOC (10) Cl.** ..... **10-04**

(52) **U.S. Cl.**  
USPC ..... **D10/70; D10/39; D10/97; D10/98; D14/344; D24/167; D24/168**

(58) **Field of Classification Search**  
USPC ..... **D10/30-39, 65, 70, 78, 97, 98; D11/3; D14/138 R, 203.5, 203.6, 341, 344, 347; D24/167, 168, 186**

(Continued)

(56) **References Cited**

**U.S. PATENT DOCUMENTS**

D727,194 S \* 4/2015 Wilson ..... D11/3  
D744,357 S \* 12/2015 Behar ..... D10/70  
(Continued)

**OTHER PUBLICATIONS**

Office Action dated Oct. 20, 2016 from Canadian Application Serial No. 169271.

(Continued)

*Primary Examiner* — Antoine D Davis

(74) *Attorney, Agent, or Firm* — Cooley LLP

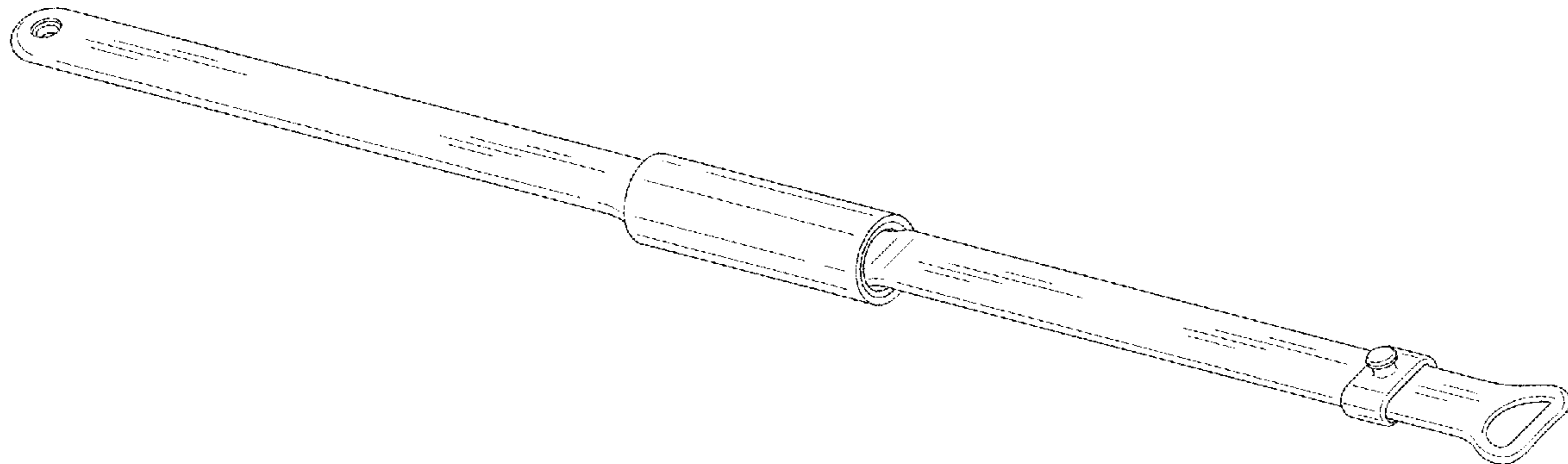
(57) **CLAIM**

The ornamental design for a fitness monitor, as shown and described.

**DESCRIPTION**

FIG. 1 is a perspective view of a first embodiment of a fitness monitor;  
FIG. 2 is another perspective view of the first embodiment thereof;  
FIG. 3 is a top view of the first embodiment thereof;  
FIG. 4 is a bottom view of the first embodiment thereof;  
FIG. 5 is a front view of the first embodiment thereof;  
FIG. 6 is a back view of the first embodiment thereof;  
FIG. 7 is a right side view of the first embodiment thereof; and  
FIG. 8 is a left side view of the first embodiment thereof.  
FIG. 9 is a perspective view of a second embodiment of the fitness monitor;  
FIG. 10 is another perspective view of the second embodiment thereof;  
FIG. 11 is a top view of the second embodiment thereof;  
FIG. 12 is a bottom view of the second embodiment thereof;  
FIG. 13 is a front view of the second embodiment thereof;  
FIG. 14 is a back view of the second embodiment thereof;  
FIG. 15 is a right side view of the second embodiment thereof; and,  
FIG. 16 is a left side view of the second embodiment thereof.  
The broken lines immediately adjacent the shaded areas represent the bounds of the claimed design while all other broken lines are directed to environment and are for illustrative purposes only; the broken lines form no part of the claimed design.

**1 Claim, 16 Drawing Sheets**



(58) **Field of Classification Search**

CPC ..... G04B 19/00–19/34; G04B 21/12; G04B  
23/12; G04B 37/00–37/228; G04B  
47/00–47/068; G01C 17/00; G01C  
21/00–21/3697; G01C 22/00–22/025;  
G01C 23/00; G06F 19/3481; G06F  
3/00–3/027

See application file for complete search history.

(56) **References Cited**

U.S. PATENT DOCUMENTS

9,367,793 B2 \* 6/2016 Proud ..... G06K 19/07762  
9,498,161 B1 \* 11/2016 Sunden ..... A61B 5/681

OTHER PUBLICATIONS

First Examination Report dated Jul. 9, 2016 from Indian Application  
No. 284895.

\* cited by examiner

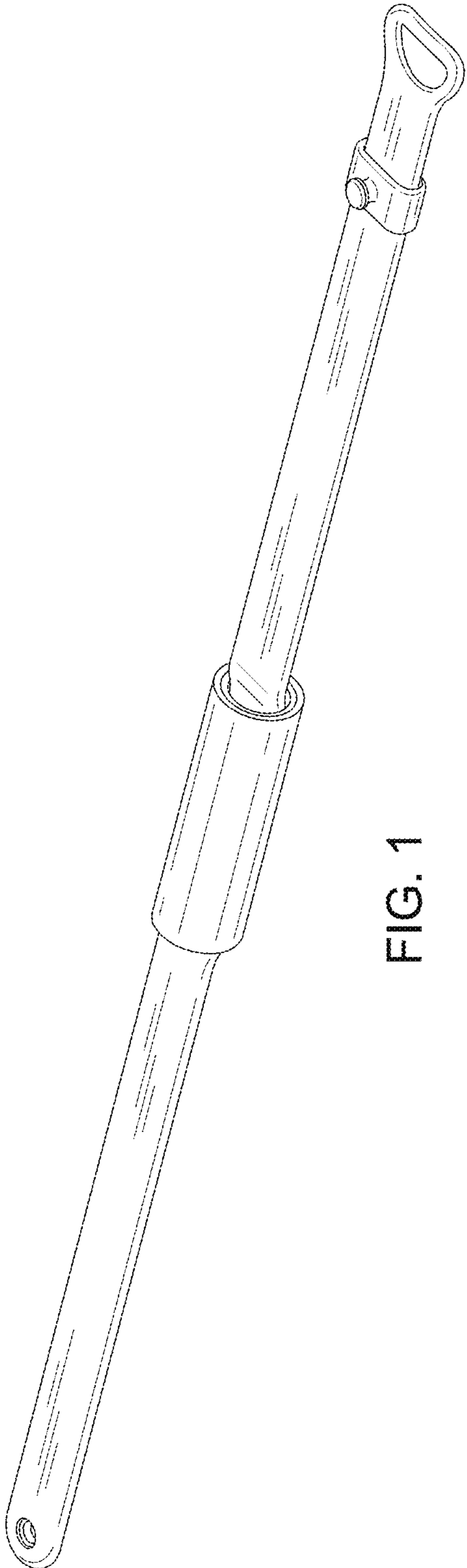


FIG. 1

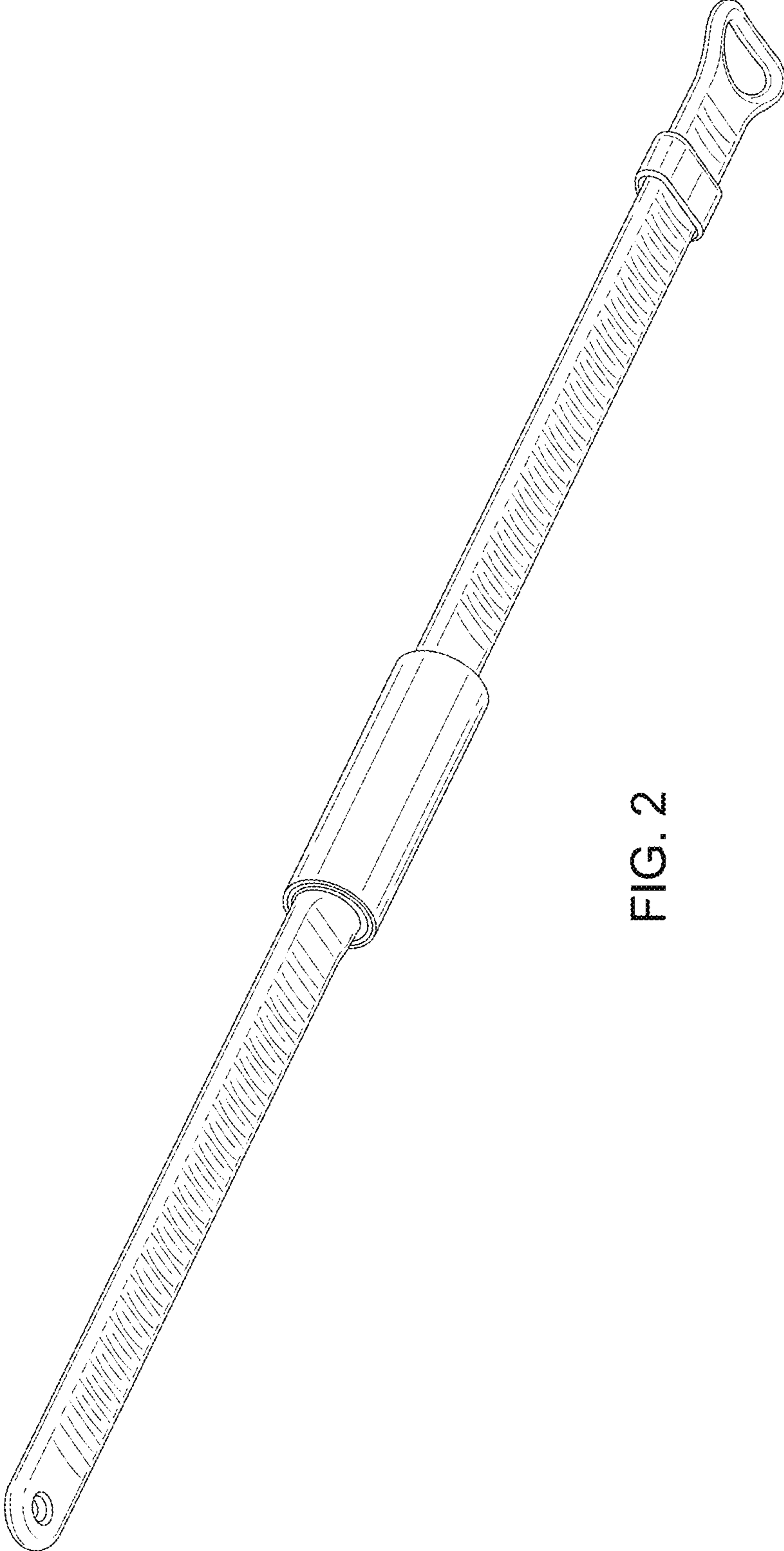


FIG. 2

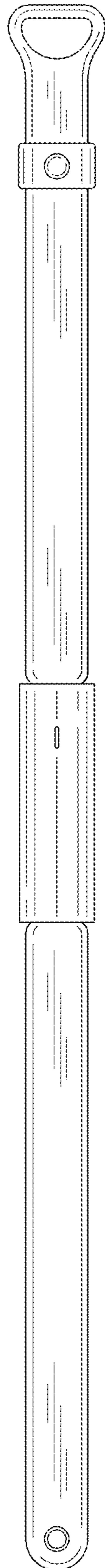


FIG. 3

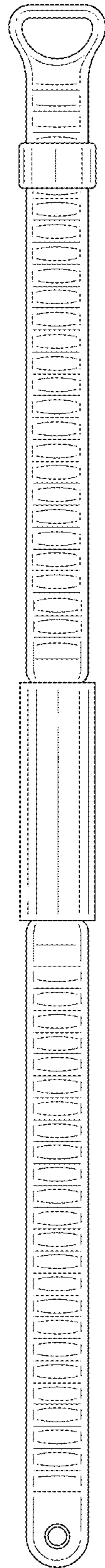


FIG. 4

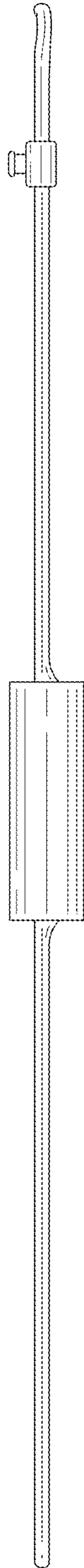


FIG. 5

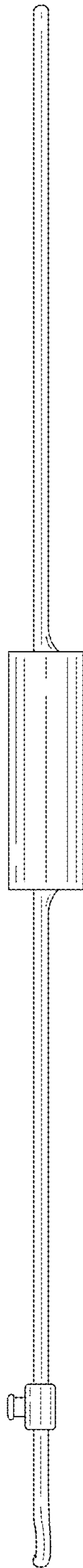


FIG. 6



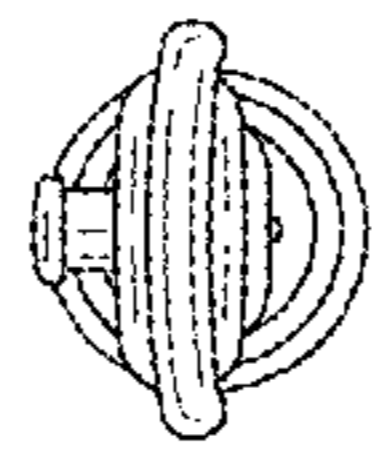


FIG. 7

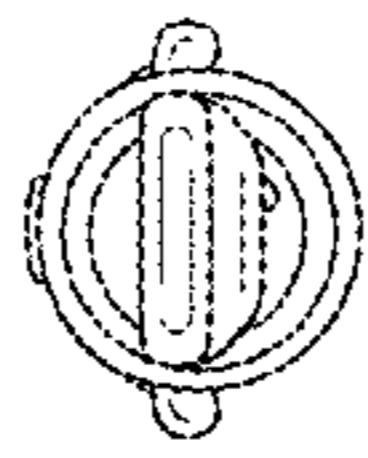


FIG. 8

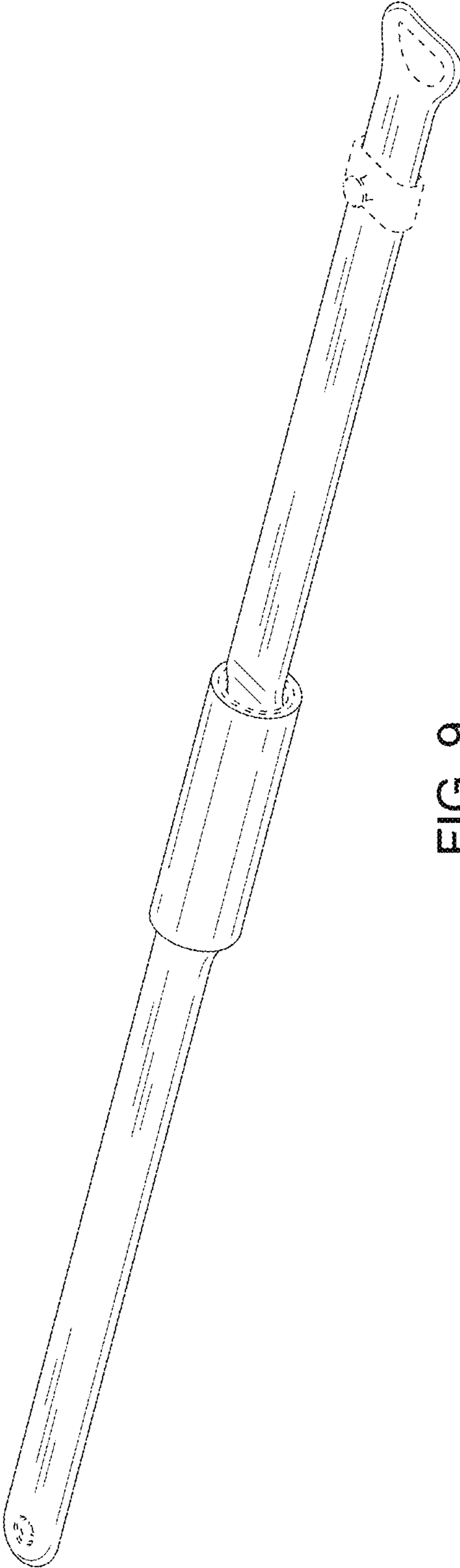


FIG. 9

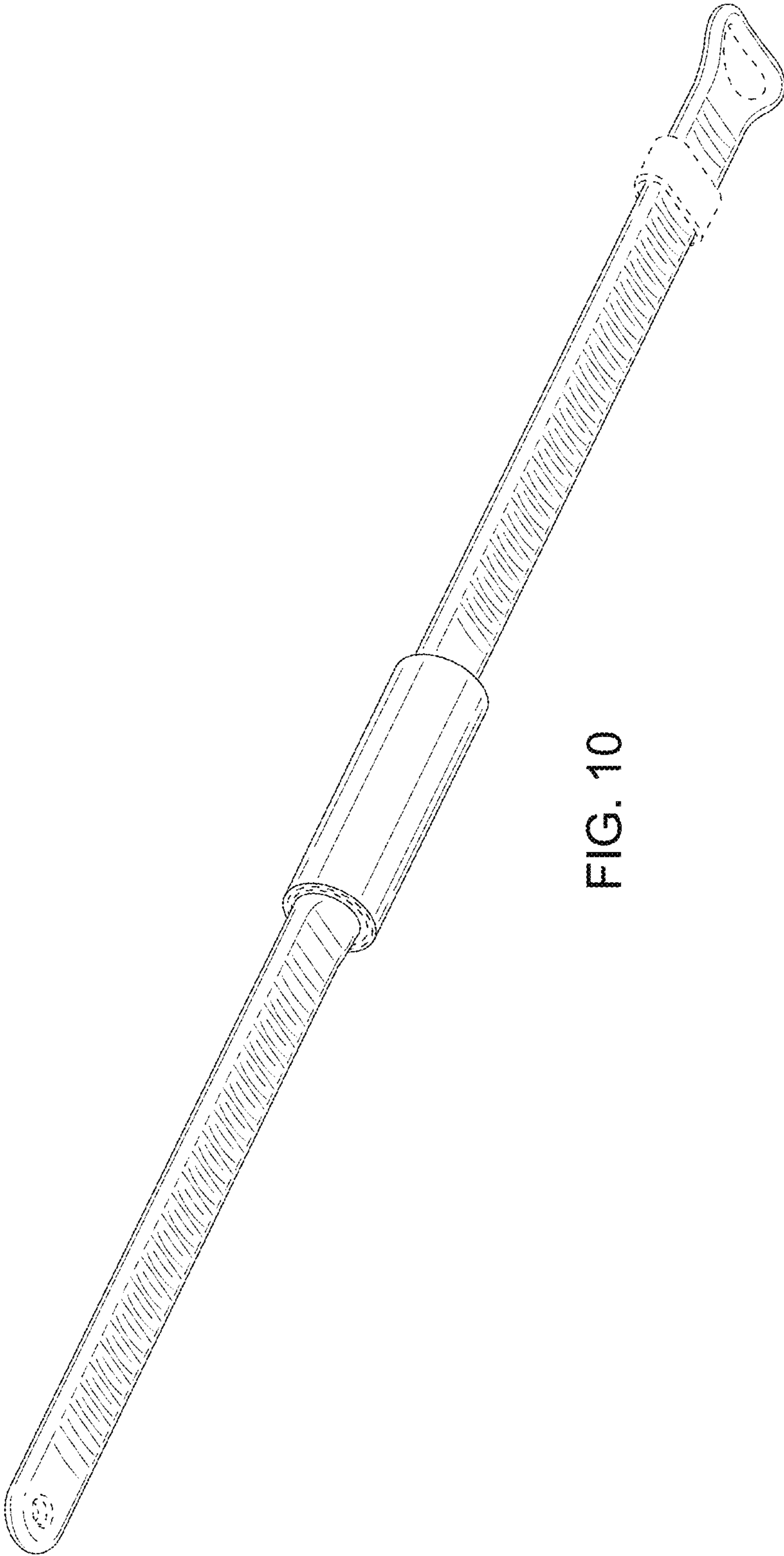


FIG. 10

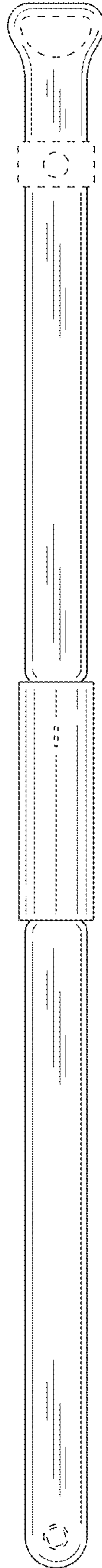


FIG. 11

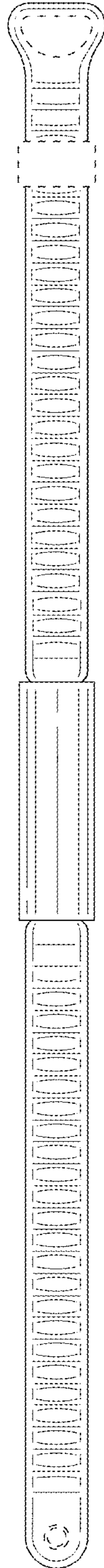


FIG. 12

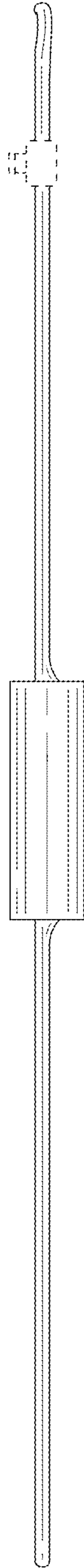


FIG. 13

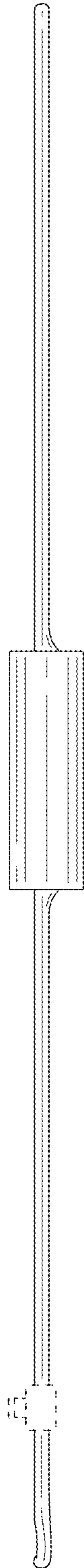


FIG. 14



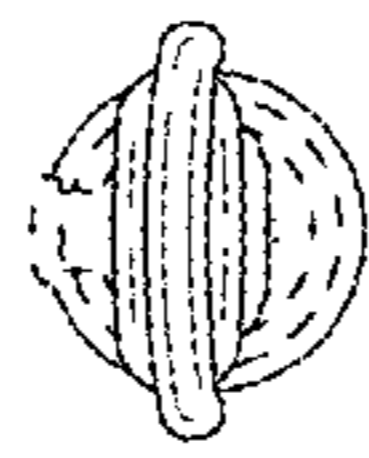


FIG. 15

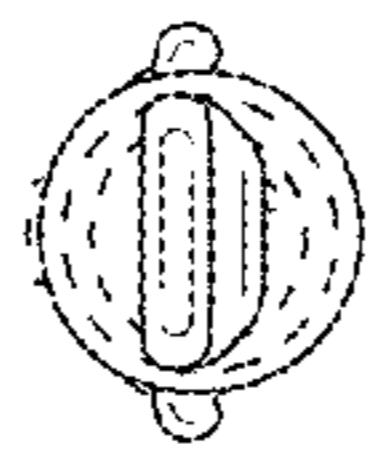


FIG. 16