



US00D795716S

(12) **United States Design Patent** (10) **Patent No.:** **US D795,716 S**
Aburatani (45) **Date of Patent:** **** Aug. 29, 2017**

(54) **SUBSTRATE THERMOMETRY UNIT**

(56) **References Cited**

(71) Applicant: **Hitachi Kokusai Electric Inc.**, Tokyo (JP)

U.S. PATENT DOCUMENTS

(72) Inventor: **Yukinori Aburatani**, Toyama (JP)

D288,069 S * 2/1987 Fair D10/60
 7,820,912 B1 * 10/2010 Shotey H02G 3/12
 174/53

(73) Assignee: **HITACHI KOKUSAI ELECTRIC INC.**, Tokyo (JP)

* cited by examiner

(**) Term: **15 Years**

Primary Examiner — Antoine D Davis

(21) Appl. No.: **29/563,047**

(74) *Attorney, Agent, or Firm* — Fitch, Even, Tabin & Flannery, LLP

(22) Filed: **May 2, 2016**

(57) **CLAIM**

I claim the ornamental design for a substrate thermometry unit, as shown (and described).

(30) **Foreign Application Priority Data**

DESCRIPTION

Nov. 4, 2015 (JP) 024543/2015

(51) **LOC (10) Cl.** **10-04**

(52) **U.S. Cl.**
USPC **D10/60**

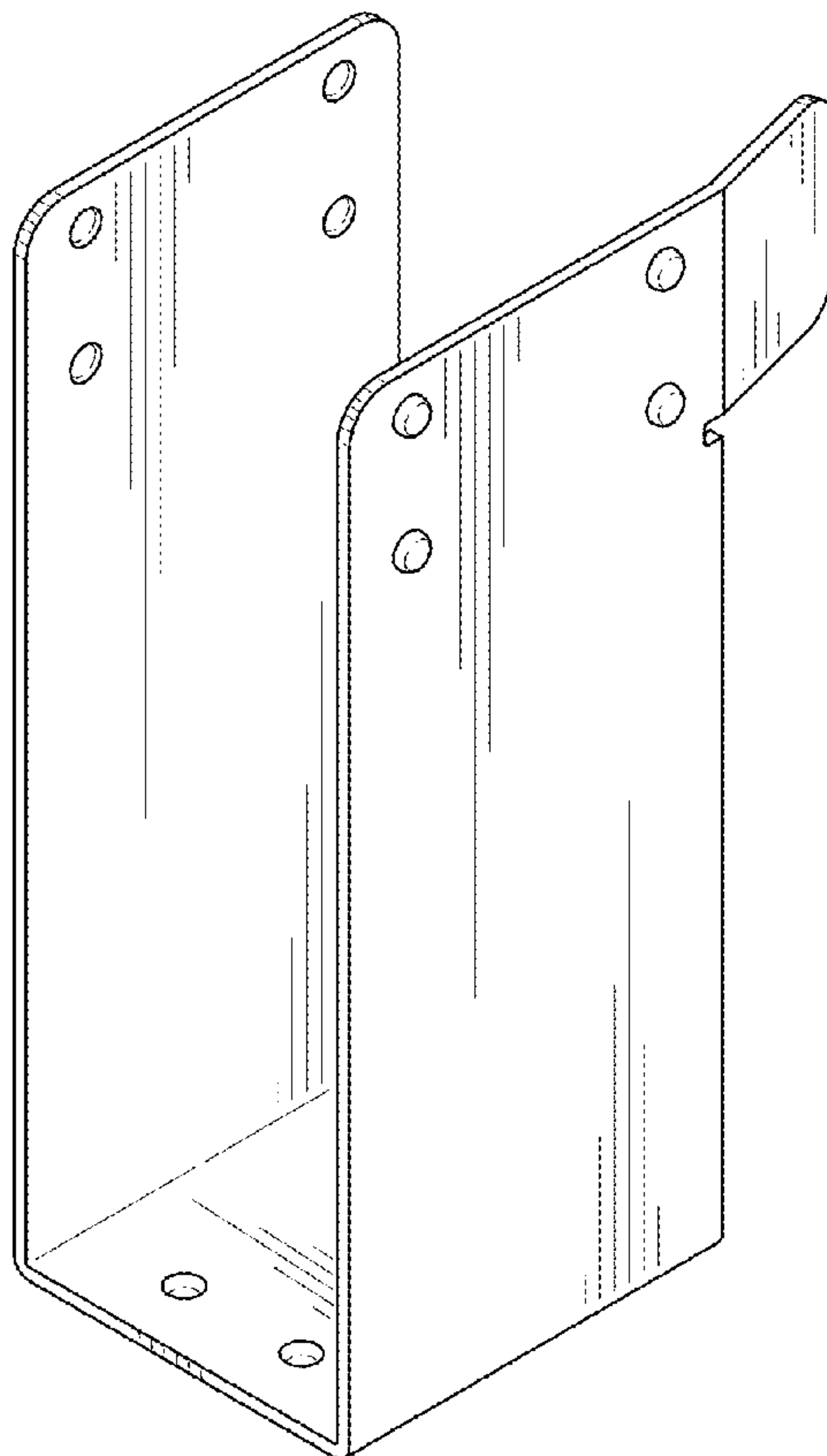
(58) **Field of Classification Search**
USPC D10/60; 174/58, 67; 339/36; 220/3.2, 220/3.3

CPC G01K 1/00; G01K 1/02; G01K 1/024; G01K 1/14; G01K 1/143; G01K 1/146; G01K 13/02; G01K 13/002

See application file for complete search history.

FIG. 1 is a front, top and right side perspective view of a substrate thermometry unit showing my new design;
 FIG. 2 is a front elevational view thereof;
 FIG. 3 is a rear elevational view thereof;
 FIG. 4 is a left side elevational view thereof;
 FIG. 5 is a right side elevational view thereof;
 FIG. 6 is a top plan view thereof; and
 FIG. 7 is a bottom plan view thereof; and,
 FIG. 8 is a cross sectional view take along line 8-8 in FIG. 2 thereof.

1 Claim, 5 Drawing Sheets



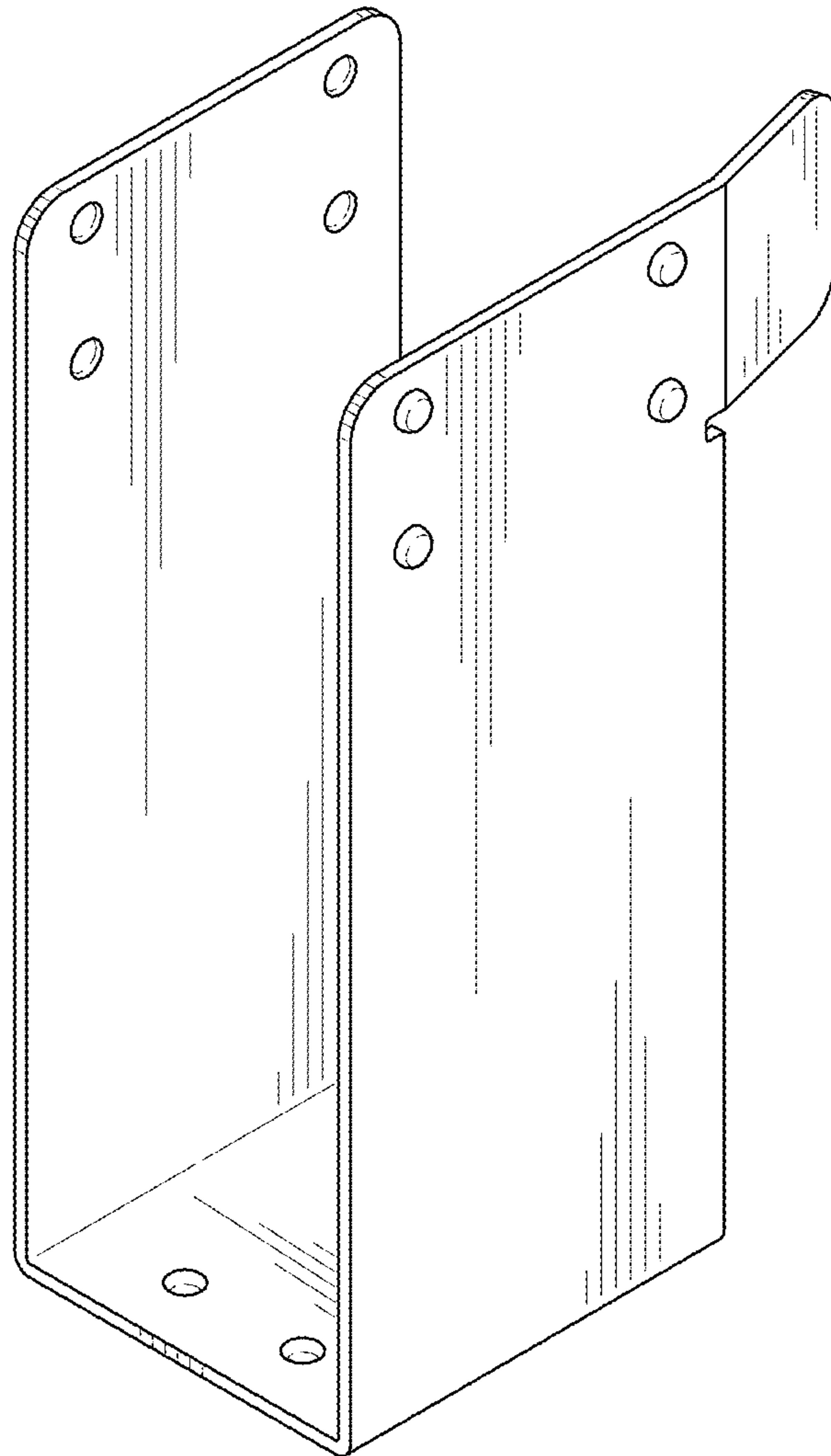


FIG. 1

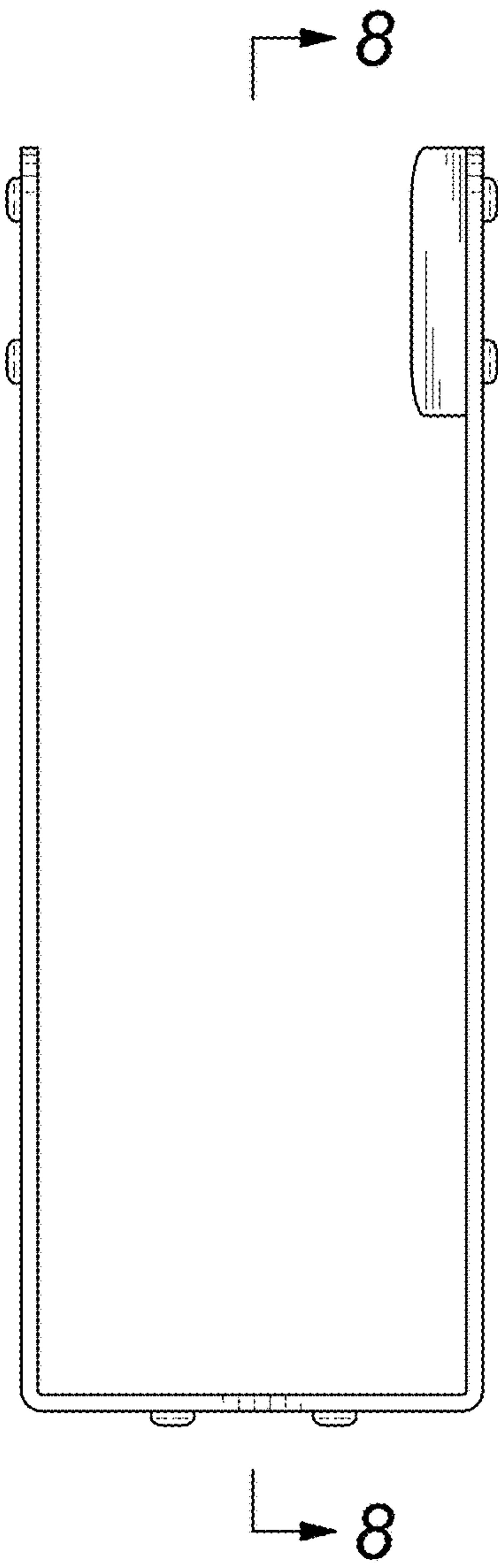


FIG. 2

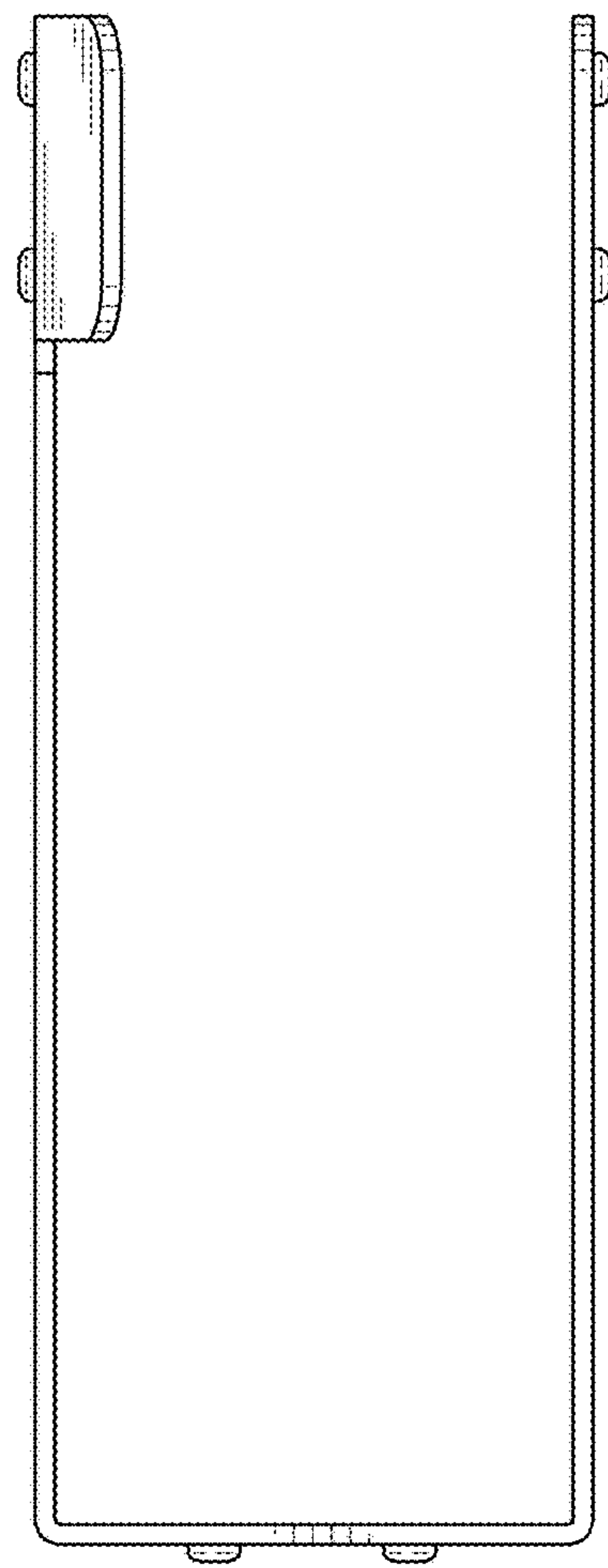


FIG. 3

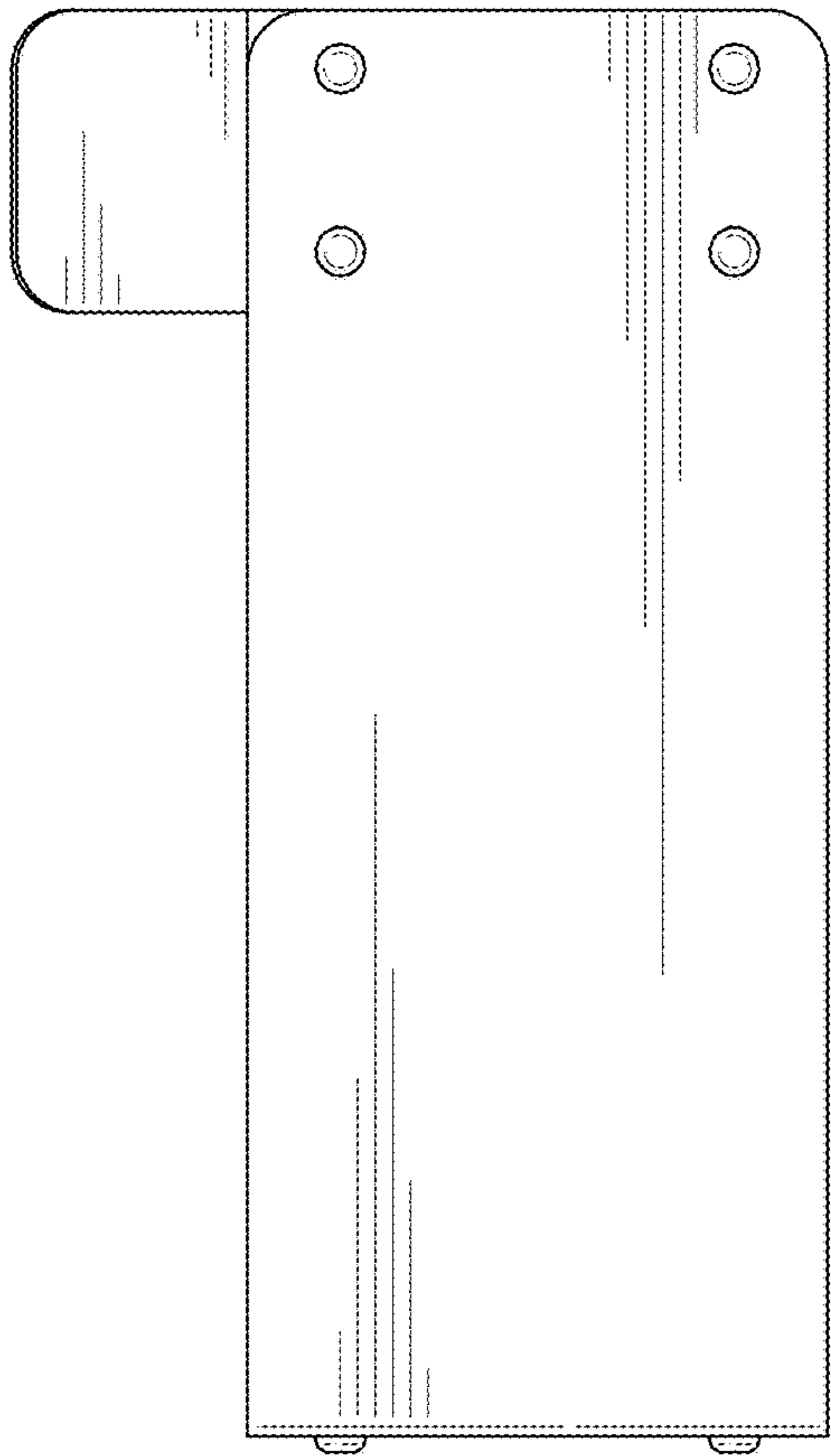


FIG. 4

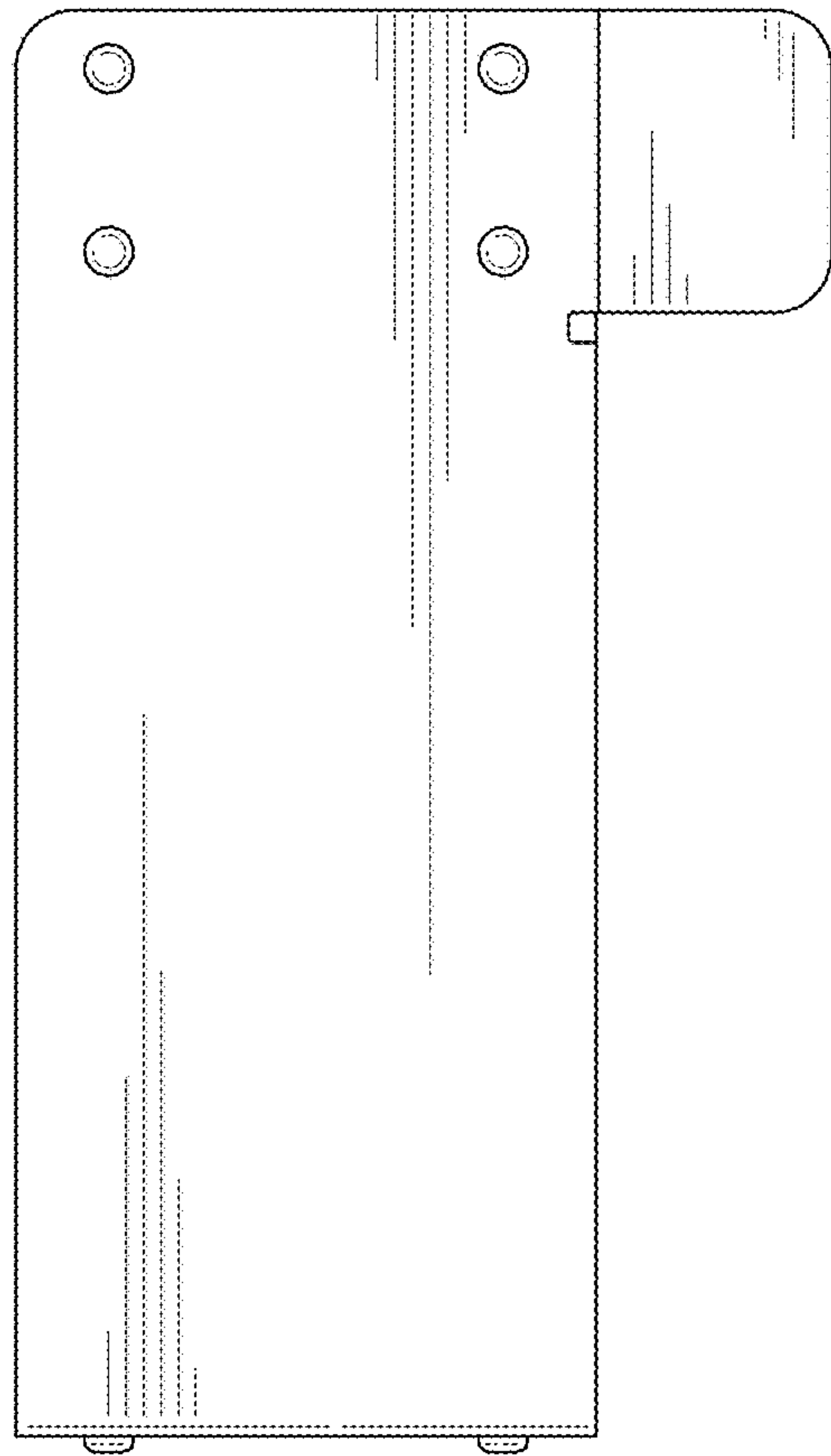


FIG. 5

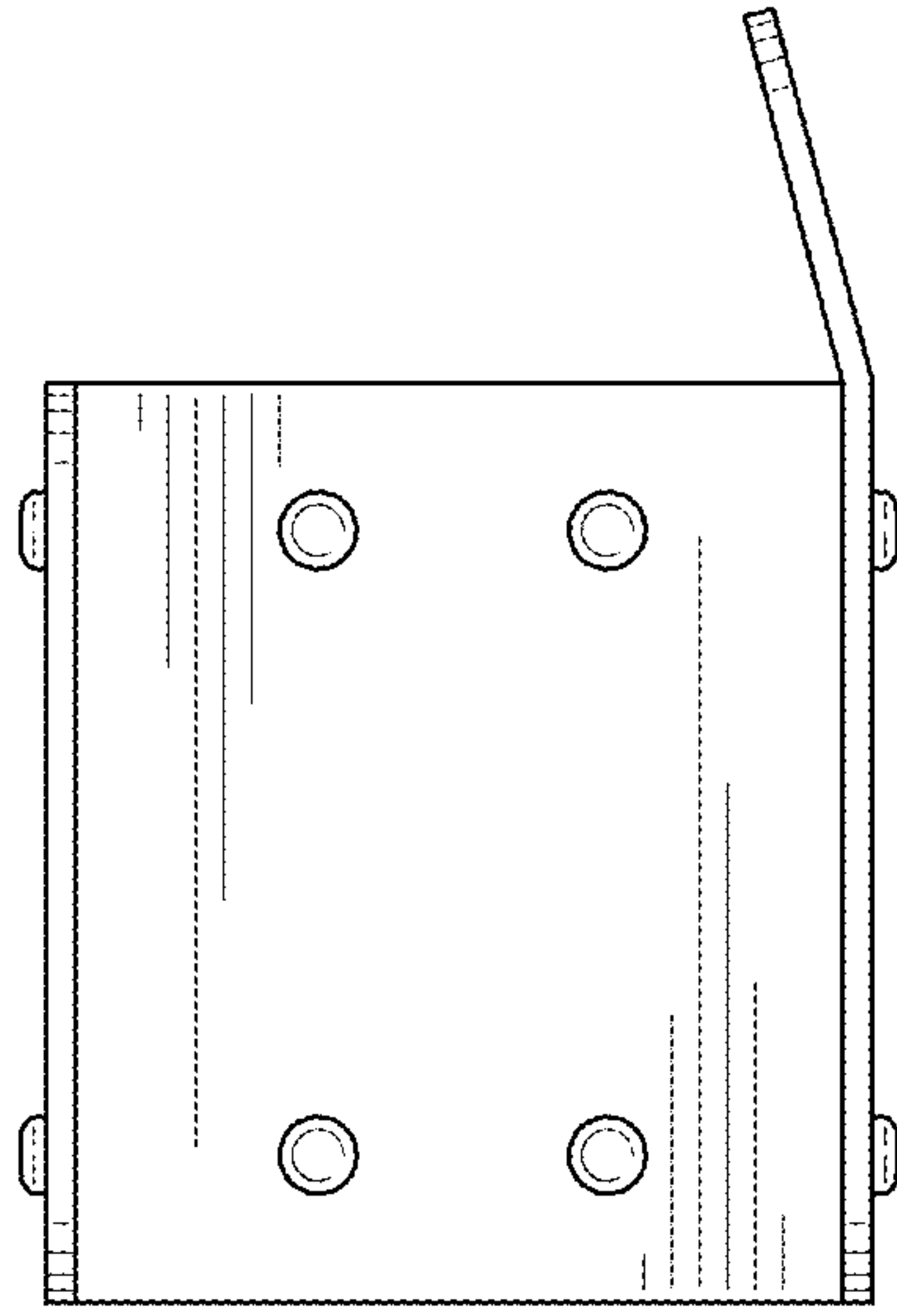


FIG. 6

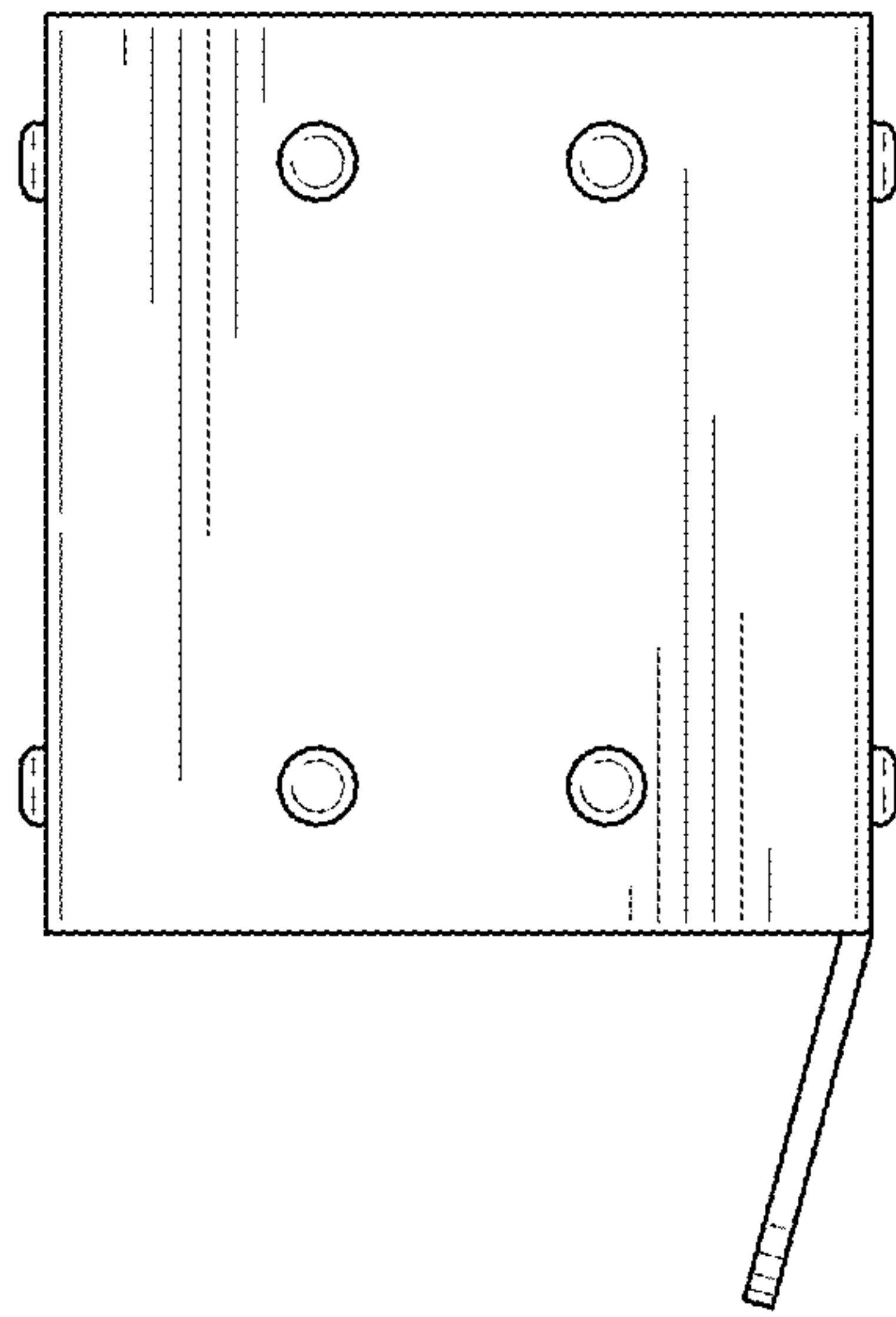


FIG. 7

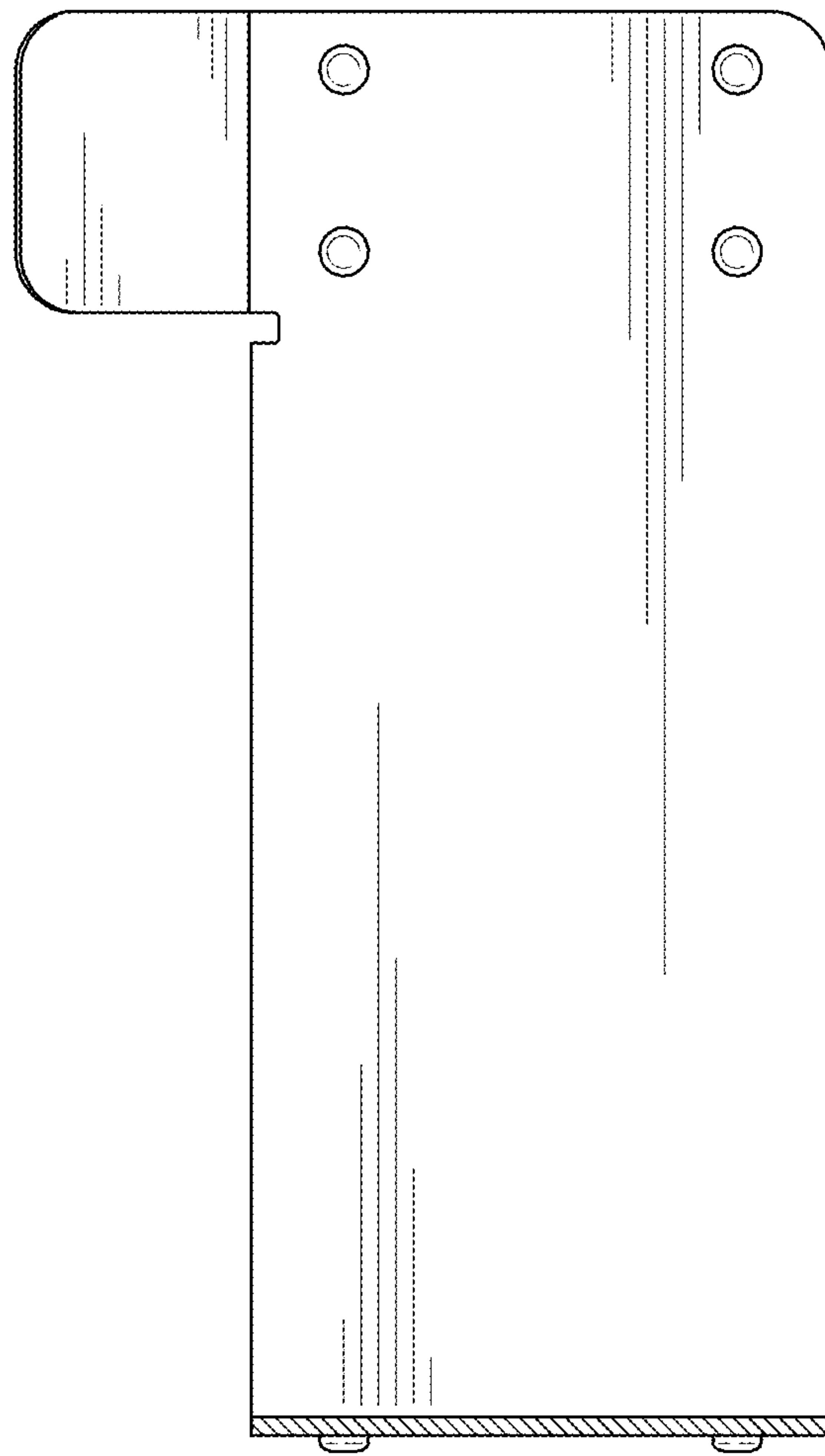


FIG. 8