



US00D795710S

(12) **United States Design Patent** (10) **Patent No.:** **US D795,710 S**
Okazaki (45) **Date of Patent:** **** Aug. 29, 2017**

(54) **WRIST WATCH CASE**
(71) Applicant: **CITIZEN WATCH CO., LTD.**, Tokyo (JP)
(72) Inventor: **Toshinori Okazaki**, Tokyo (JP)
(73) Assignee: **CITIZEN WATCH CO., LTD.**, Tokyo (JP)
(**) Term: **15 Years**
(21) Appl. No.: **29/558,048**

D523,357 S * 6/2006 Kummer D10/38
D545,910 S * 7/2007 Peraldi D10/32
D548,622 S * 8/2007 Salemi D10/32
D564,905 S 3/2008 Auguanno
D565,971 S * 4/2008 Peraldi D10/39
D580,792 S 11/2008 Sugiura
D601,044 S * 9/2009 Lalo D10/39
D652,326 S * 1/2012 Kummer D10/38
D658,511 S * 5/2012 Wai Kei D10/32
D707,137 S * 6/2014 Tedeschi D10/39
D715,163 S * 10/2014 Jamin D10/126
D719,850 S * 12/2014 Kita D10/32
D740,136 S 10/2015 Henne
D756,244 S * 5/2016 Bastian D10/132
D781,723 S * 3/2017 Seals D10/38

(22) Filed: **Mar. 15, 2016**
(51) **LOC (10) Cl.** **10-02**
(52) **U.S. Cl.**
USPC **D10/38; D10/30**
(58) **Field of Classification Search**
USPC D10/1-29, 30-39, 122-132; D14/341,
D14/344; D11/1, 2, 3, 4
CPC .. G04B 17/08; G04B 17/063; G04B 37/0008;
G04B 37/081; G04B 37/082; G04B
37/0058; G04B 37/18; G04B 37/22;
G04B 37/0066; G04B 37/12; G04B
19/00; G04B 19/04; G04B 19/06; G04B
19/10; G04B 19/12; G04B 19/166; G04B
19/23; G04B 19/235; G04B 19/24; G04B
19/26; G04B 19/268; G04B 45/0069;
G04B 45/0076
See application file for complete search history.

FOREIGN PATENT DOCUMENTS

EM 0007866110002 9/2007

* cited by examiner

Primary Examiner — Sheryl Lane
Assistant Examiner — Samantha Wood
(74) *Attorney, Agent, or Firm* — RatnerPrestia

(57) **CLAIM**

The ornamental design for a wrist watch case, as shown and described.

DESCRIPTION

FIG. 1 is an enlarged perspective view of a wrist watch case showing my new design;
FIG. 2 is a front elevational view thereof;
FIG. 3 is a left side elevational view thereof;
FIG. 4 is a right side elevational view thereof;
FIG. 5 is a rear elevational view thereof;
FIG. 6 is a top plan view thereof; and,
FIG. 7 is a bottom plan view thereof.
The broken lines showing portions of the wrist watch case are included for the purpose of illustrating portions of the article and form no part of the claimed design.

1 Claim, 4 Drawing Sheets

(56) **References Cited**
U.S. PATENT DOCUMENTS
D59,853 S * 11/1921 Megurowsky D10/37
D413,816 S * 9/1999 Schiavo D10/30
D445,342 S * 7/2001 Clerc D10/30
D457,072 S 5/2002 Lai
D459,236 S * 6/2002 Haquet D10/30
D475,305 S * 6/2003 Tavenas D10/39
D500,452 S * 1/2005 Itsubo D10/39
D502,650 S * 3/2005 Kojima D10/30

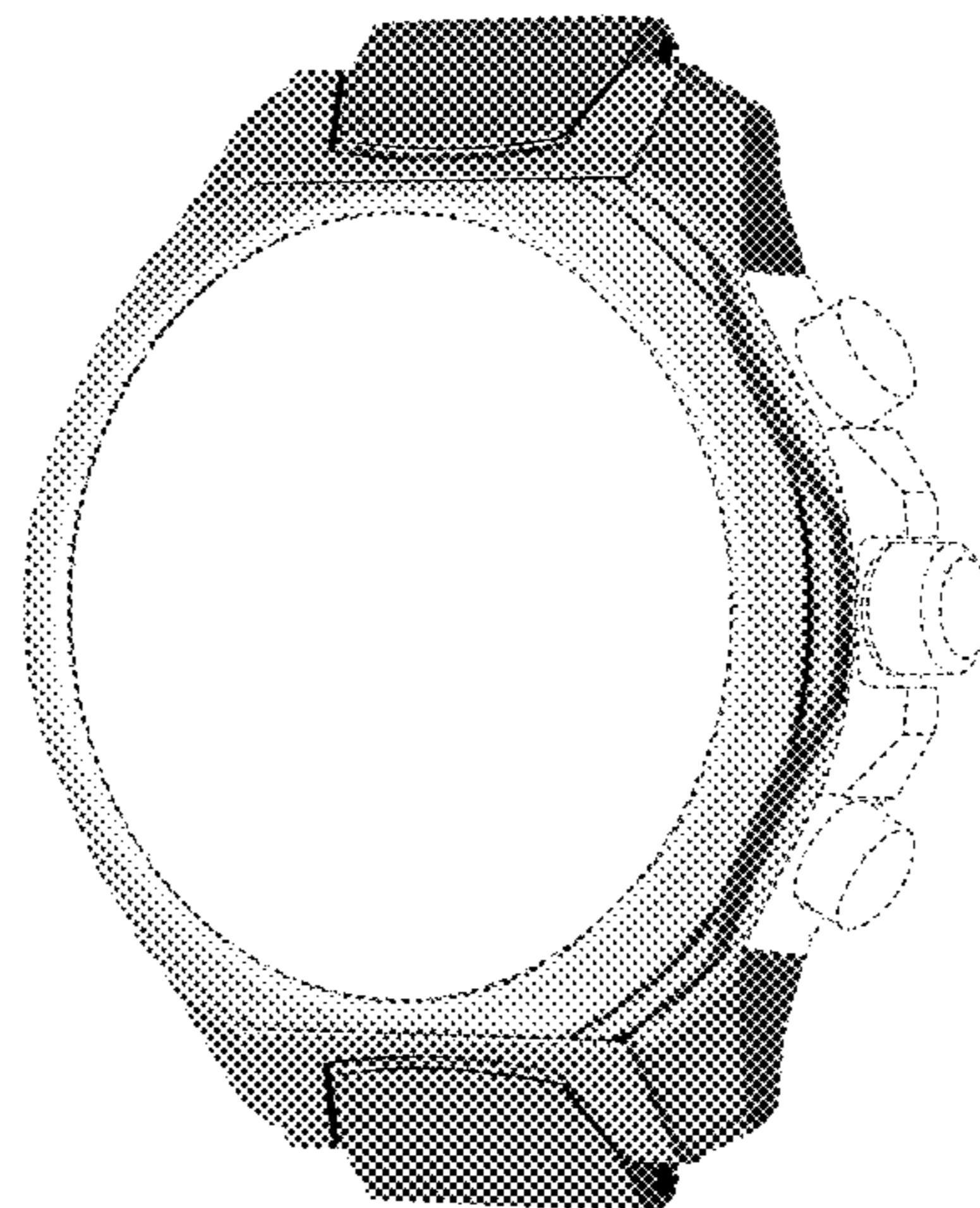


FIG. 1



FIG. 2

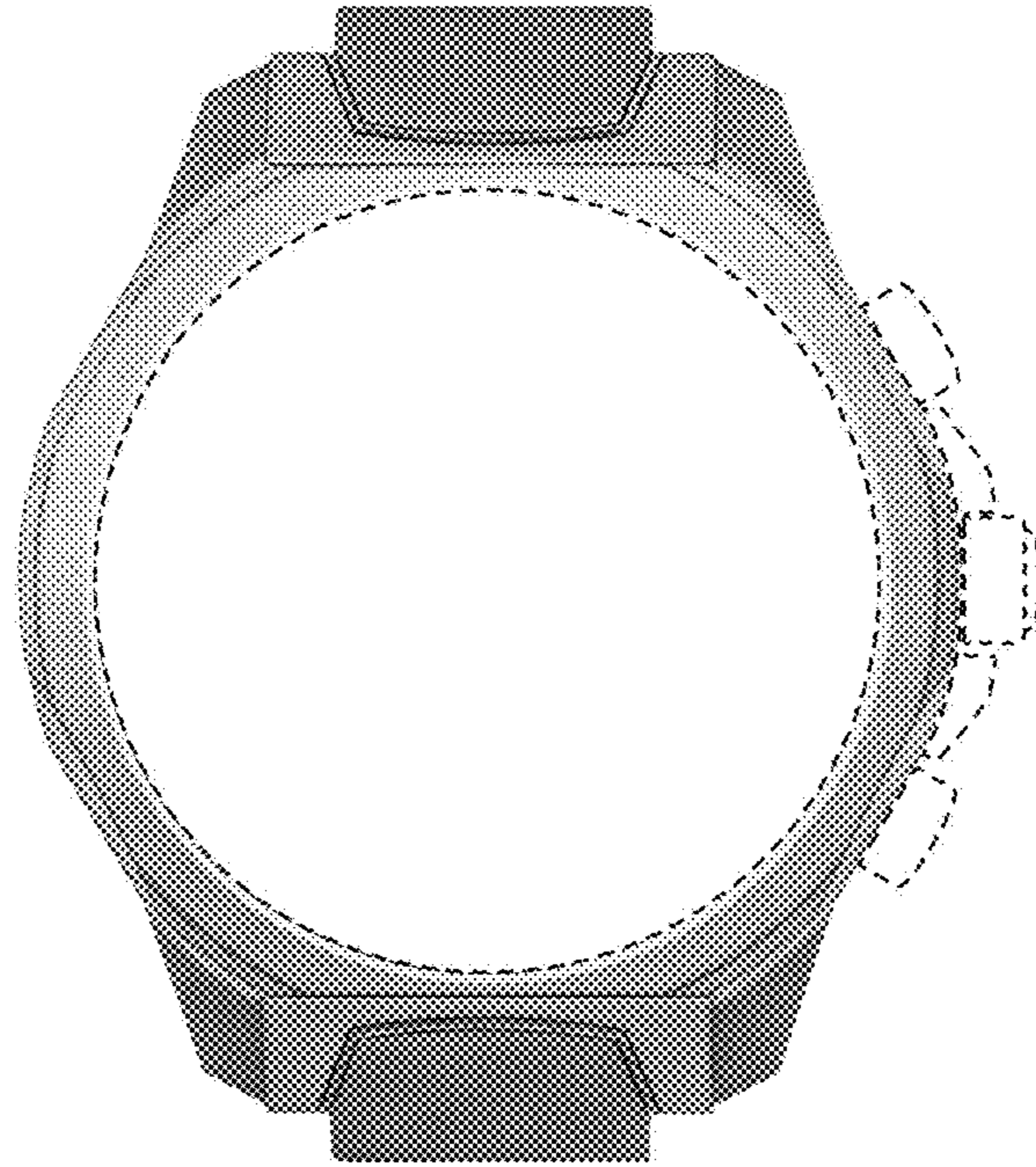


FIG. 3

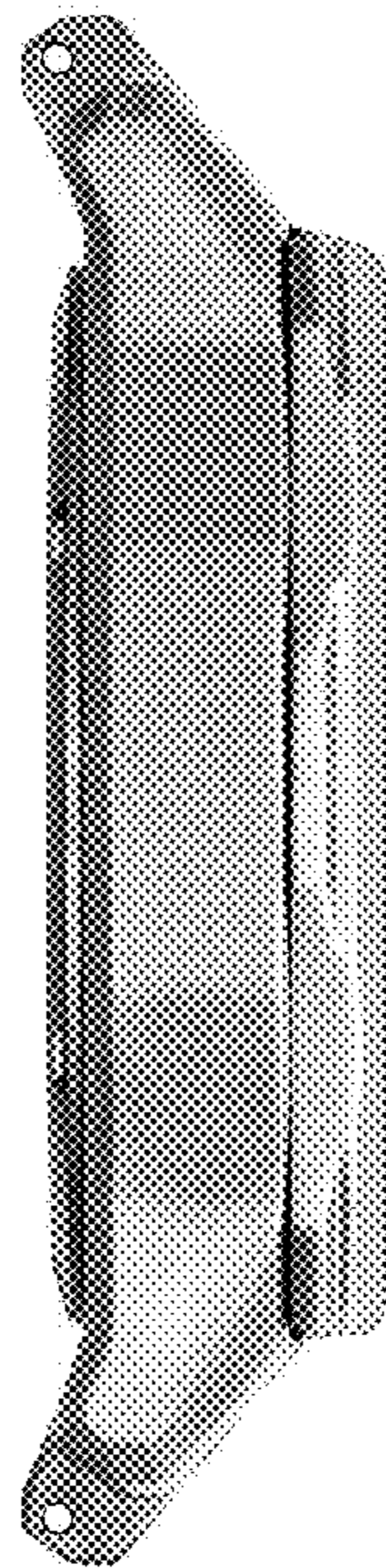


FIG. 4

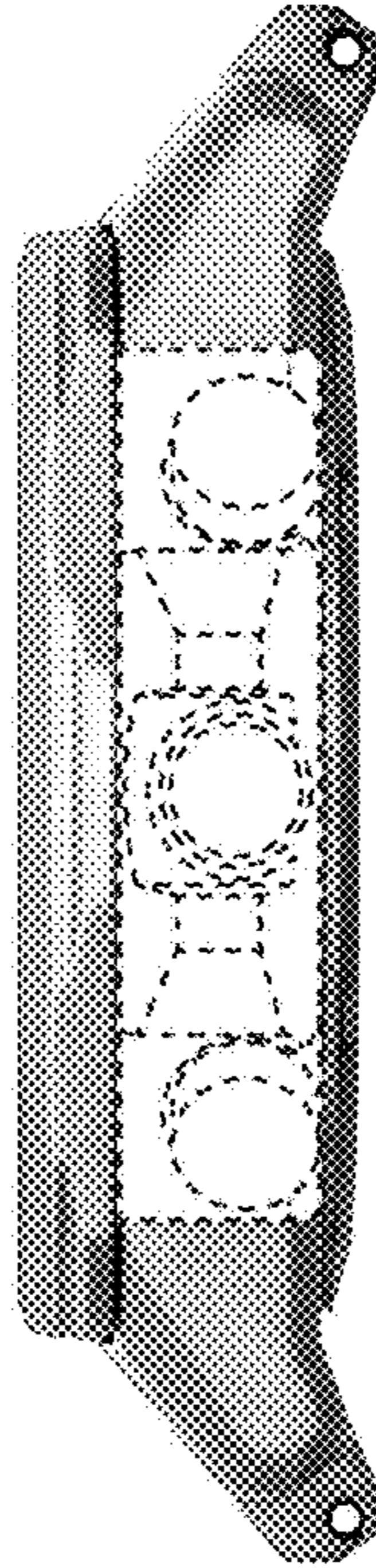


FIG. 5

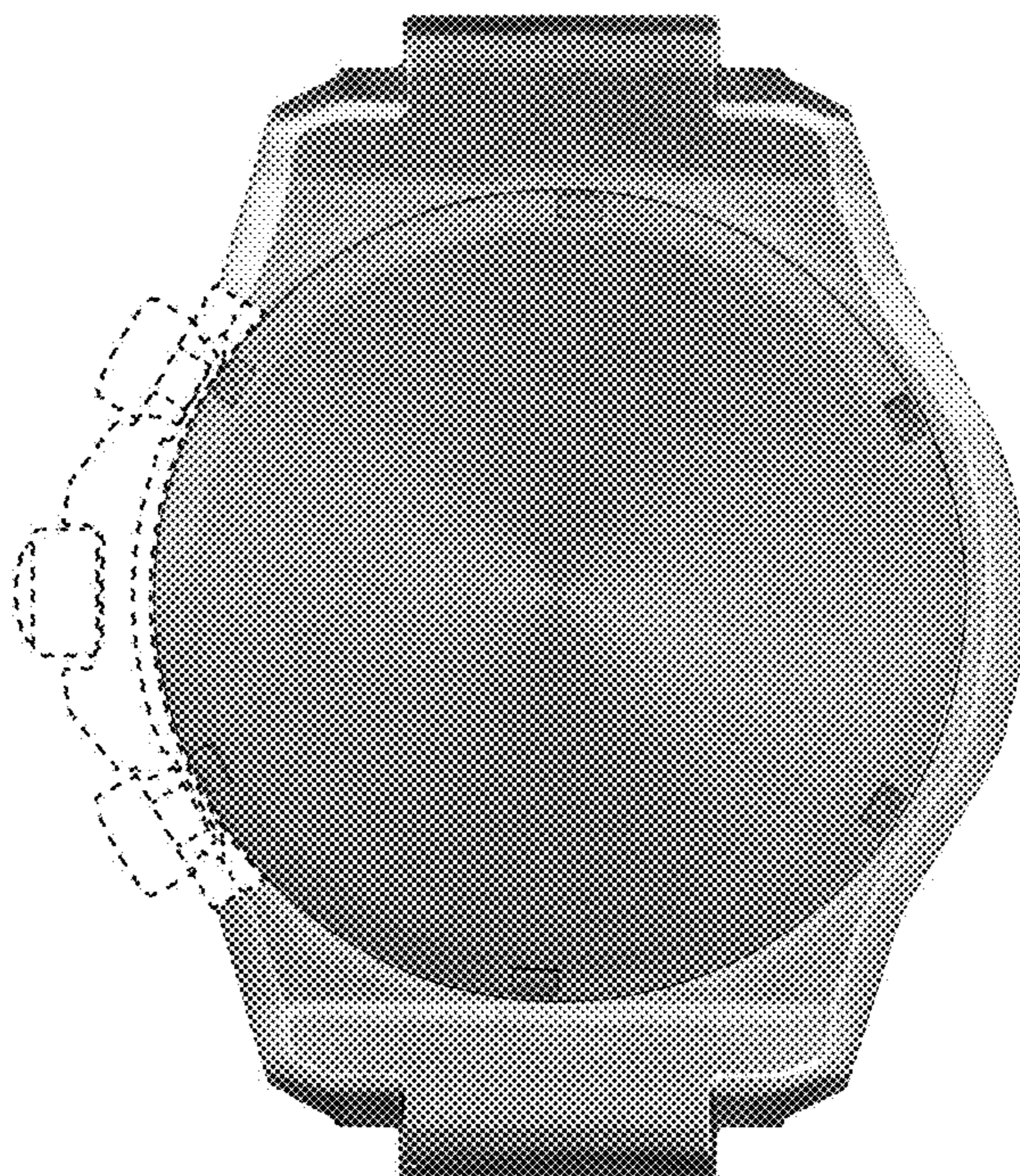


FIG. 6

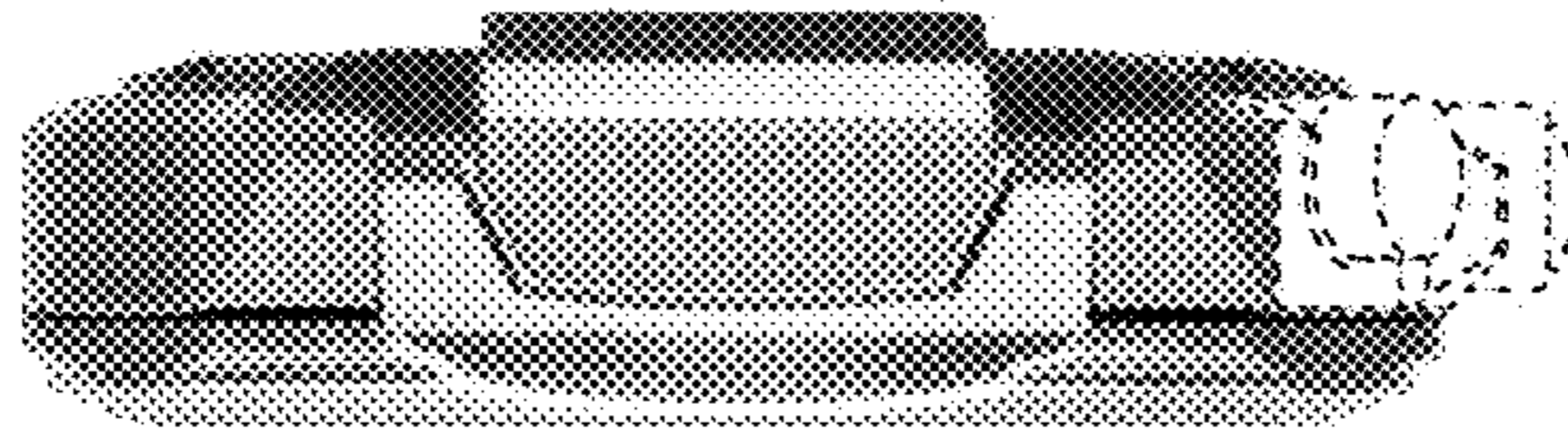


FIG. 7

