



US00D795709S

(12) **United States Design Patent** (10) **Patent No.:** **US D795,709 S**
Roberts et al. (45) **Date of Patent:** **** Aug. 29, 2017**

(54) **CAMERA WATCH**
(71) Applicant: **Google Inc.**, Mountain View, CA (US)
(72) Inventors: **Rachael Elizabeth Roberts**, San Francisco, CA (US); **Romain Clement**, Mountain View, CA (US); **Xi Chen**, San Jose, CA (US); **Luc Vincent**, Palo Alto, CA (US)
(73) Assignee: **Google Inc.**, Mountain View, CA (US)
(**) Term: **14 Years**
(21) Appl. No.: **29/501,922**
(22) Filed: **Sep. 10, 2014**
(51) **LOC (10) Cl.** **10-02**
(52) **U.S. Cl.**
USPC **D10/32; D16/208**
(58) **Field of Classification Search**
USPC D3/267, 268, 270, 271.1; D10/30, 32, D10/38, 39, 41, 49, 52, 128, 132; D14/204, 206, 215, 217, 221, 222, 239, D14/240, 252, 253, 299, 485, 487, 489; D16/132-136, 200, 202, 205, 206, 208, D16/209, 211, 218, 219, 220; D21/514
CPC G03B 17/02; G03B 19/04; G03B 17/56; G03B 17/04; G03B 15/03; G03B 17/14; H04N 5/2251; H04N 5/2252; H04N 5/2253; H04N 5/2254; G02B 7/02; G02B 7/04; G02B 7/14
See application file for complete search history.

D373,538 S * 9/1996 Riley D10/30
D378,739 S * 4/1997 Strasser D10/32
D407,601 S * 4/1999 Midden D10/49
6,192,253 B1 * 2/2001 Charlier H04B 1/385
455/340
D451,116 S * 11/2001 Kono D10/31
D455,659 S * 4/2002 Goto D10/31
D488,724 S * 4/2004 Bertucci D10/30
6,809,774 B1 * 10/2004 Yamazaki G04B 47/00
348/373
D505,086 S * 5/2005 Fernandez D10/39
D519,858 S * 5/2006 Migliorati D10/39
D560,513 S * 1/2008 Glassman D10/39
D588,024 S * 3/2009 Binggeli D10/38
D624,442 S * 9/2010 Clerc D10/38
D624,443 S * 9/2010 Cerrato D10/38
D656,845 S * 4/2012 Maier D10/39
D664,865 S * 8/2012 Luk Ying Yee D10/38

(Continued)

Primary Examiner — Susan E Krakower
Assistant Examiner — Lisa A Grabenstetter
(74) *Attorney, Agent, or Firm* — Lerner, David, Littenberg, Krumholz & Mentlik, LLP

(57) **CLAIM**

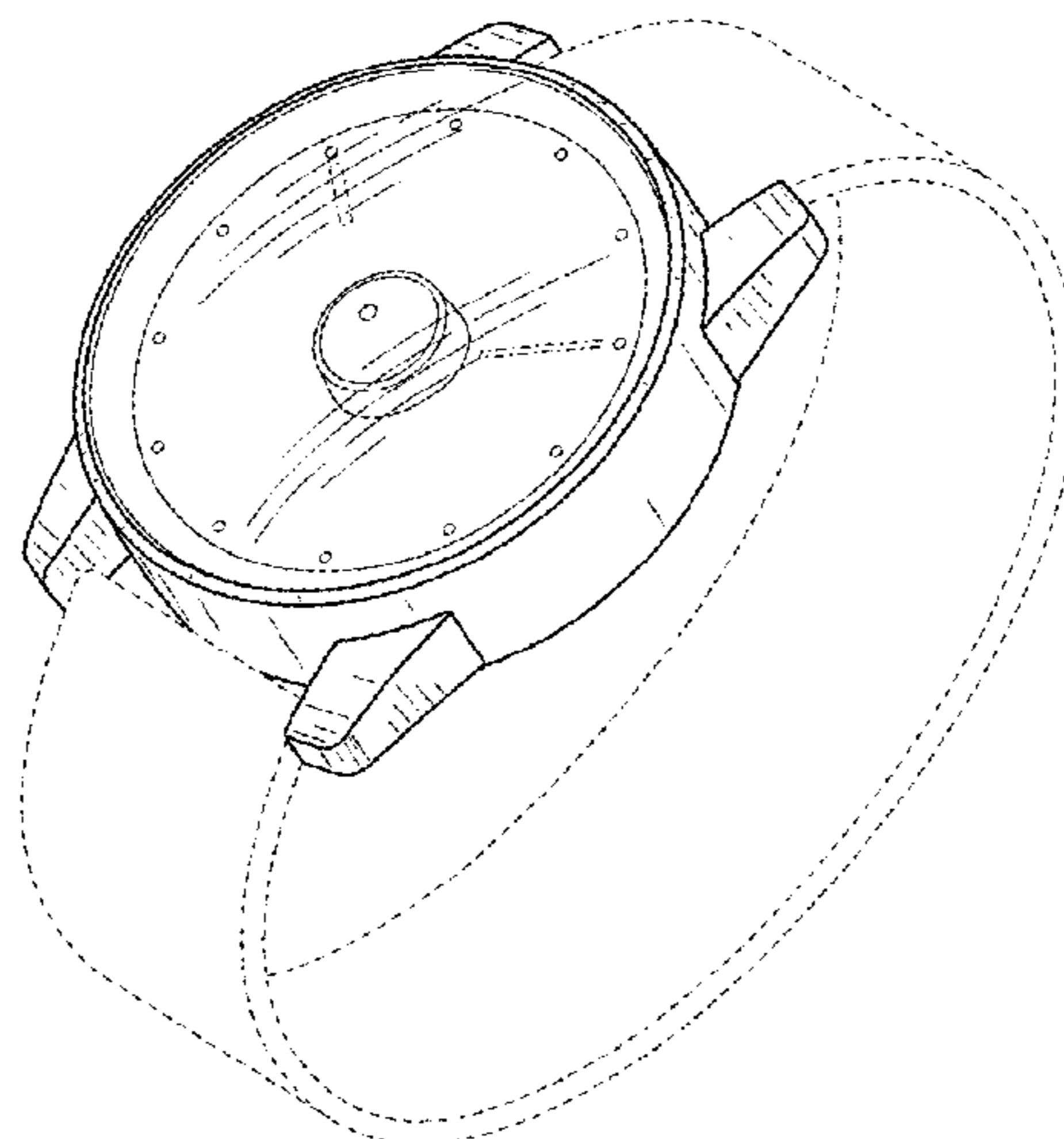
The ornamental design for a camera watch, as shown and described.

DESCRIPTION

FIG. 1 is a front perspective view of a camera watch according to our design;
FIG. 2 is a top view thereof;
FIG. 3 is a bottom view thereof;
FIG. 4 is a right side view thereof;
FIG. 5 is a left side view thereof;
FIG. 6 is a front view thereof; and,
FIG. 7 is a rear view thereof.
The broken lines depicting watch hands and a watch strap represent unclaimed portions of the camera watch that form no part of the claimed design.

1 Claim, 4 Drawing Sheets

(56) **References Cited**
U.S. PATENT DOCUMENTS
D22,649 S * 7/1893 Casler D16/200
D186,180 S * 9/1959 Diamond D10/39
D356,956 S * 4/1995 Hitter D10/126
D367,240 S * 2/1996 Svast D10/126



(56)

References Cited

U.S. PATENT DOCUMENTS

8,279,716 B1 * 10/2012 Gossweiler, III . H04M 1/7252
368/10
D678,081 S * 3/2013 Cabiddu D10/38
D684,486 S * 6/2013 Messmer D10/39

* cited by examiner

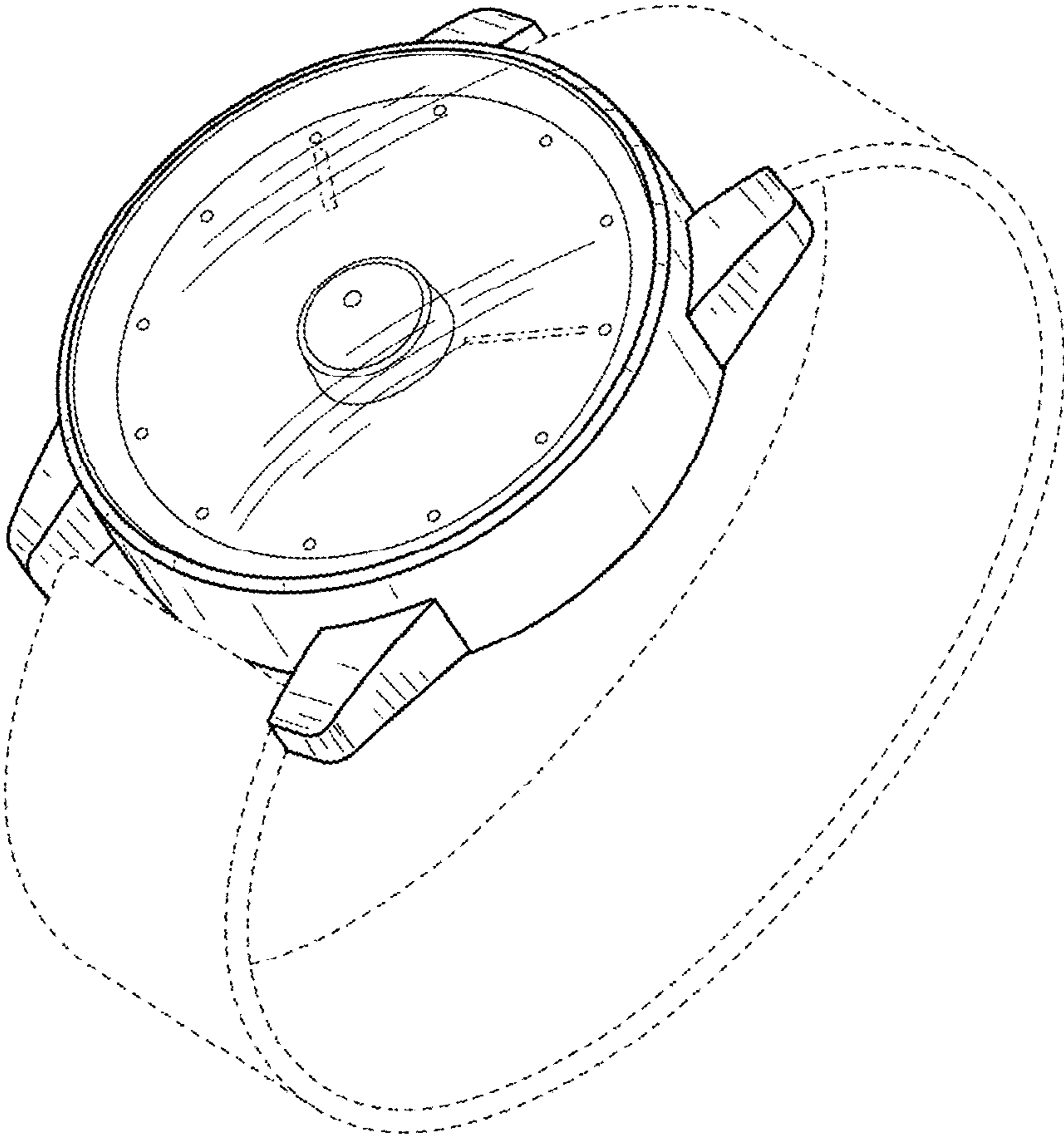


FIG. 1

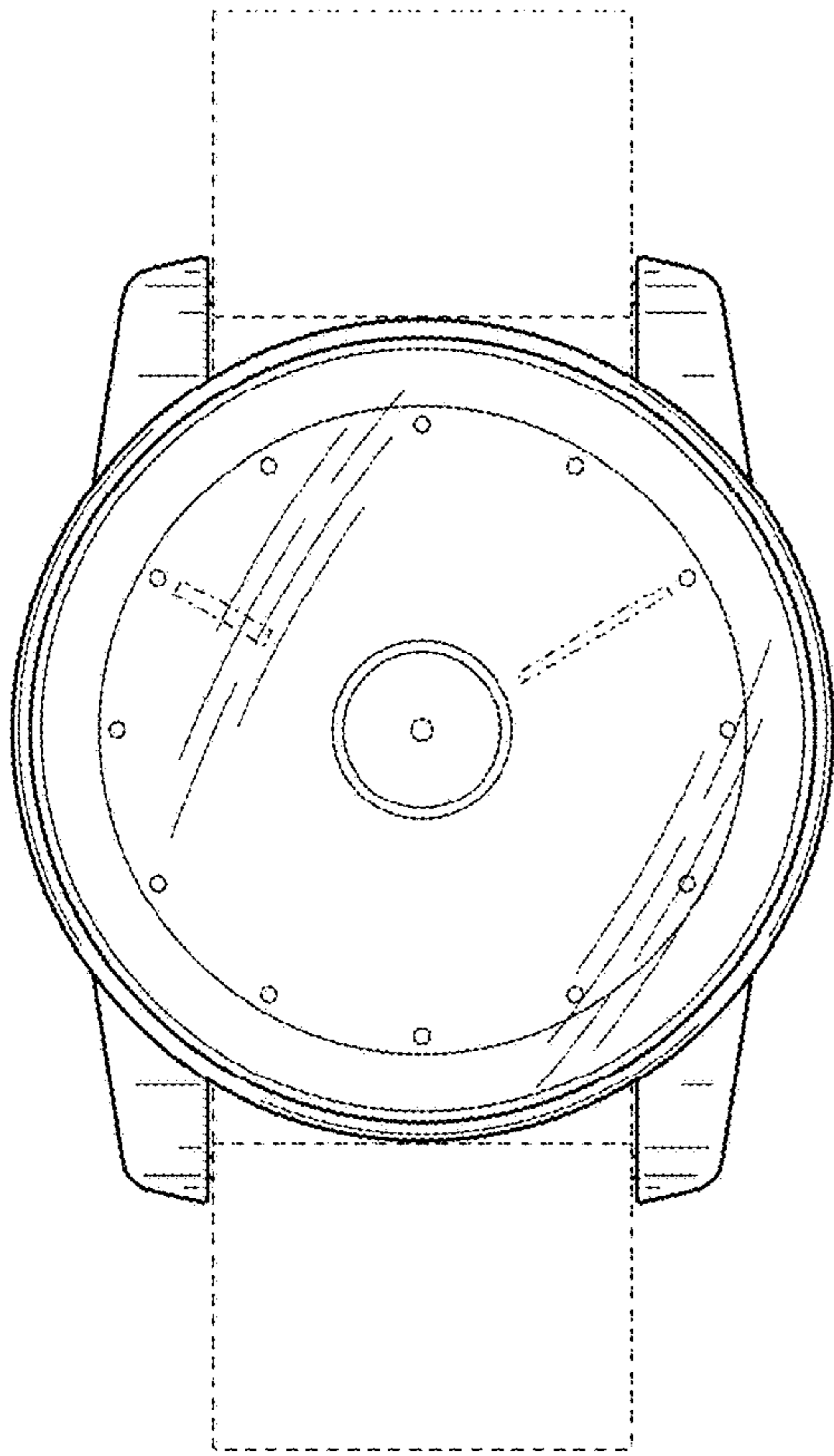


FIG. 2

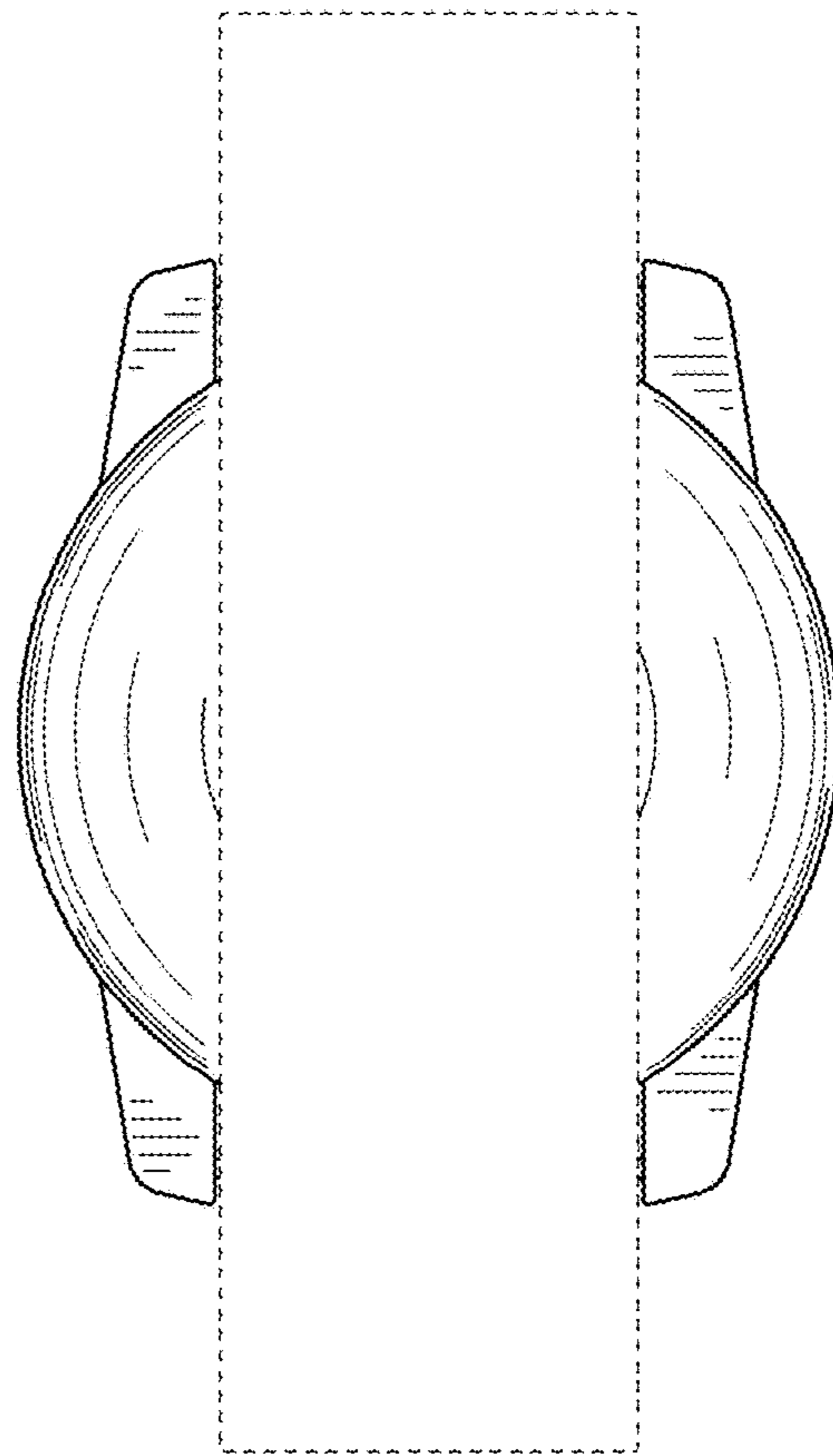


FIG. 3

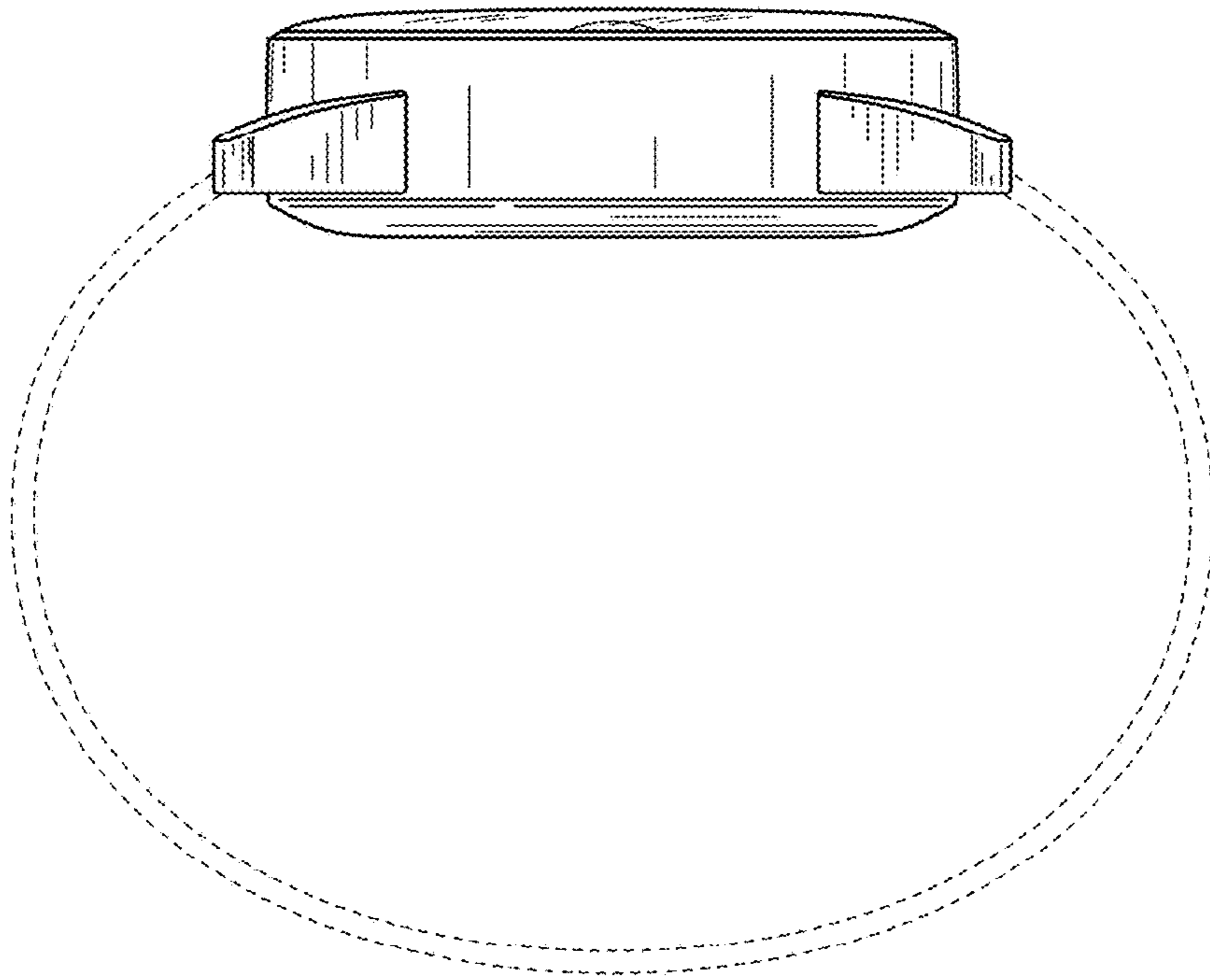


FIG. 4

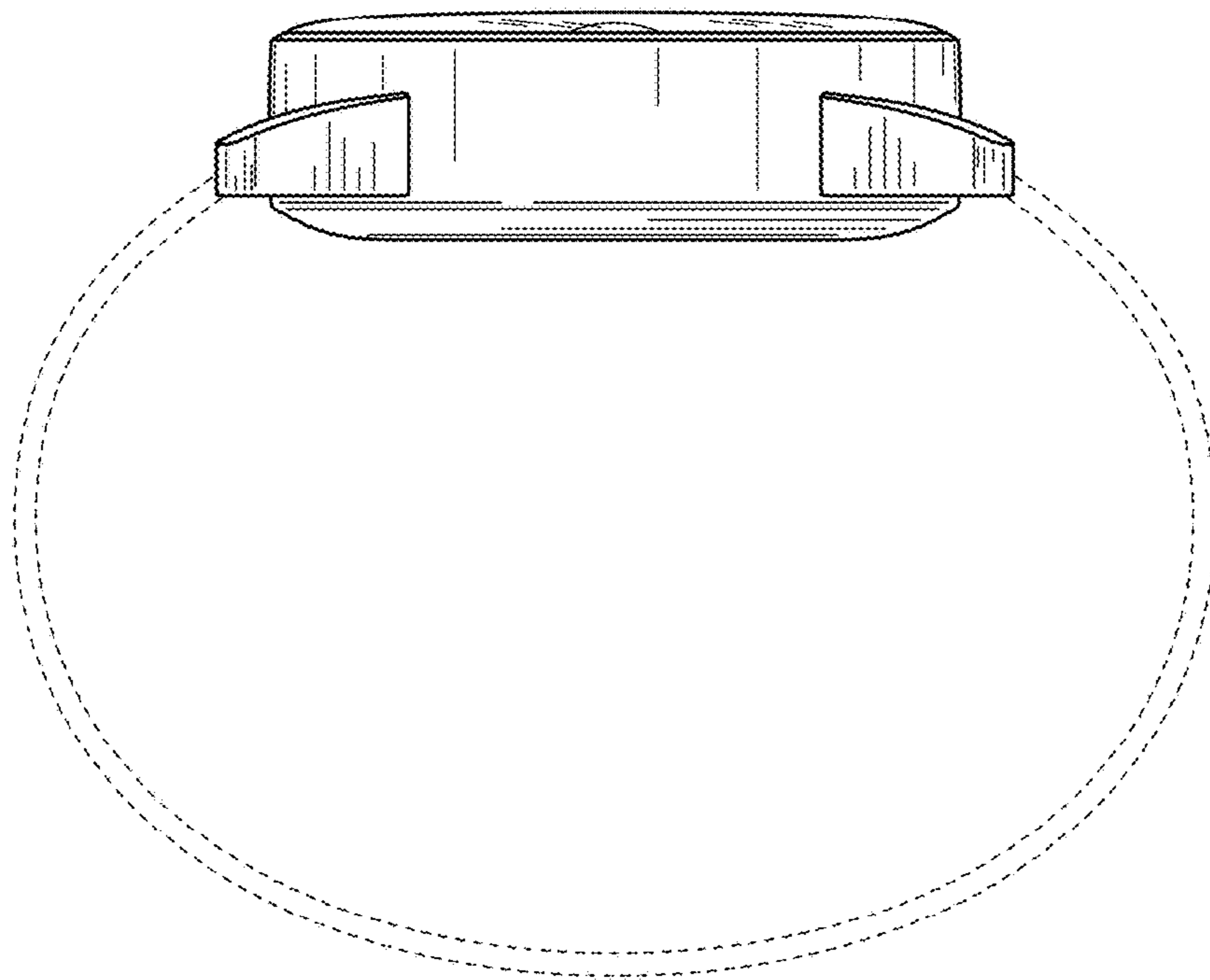


FIG. 5

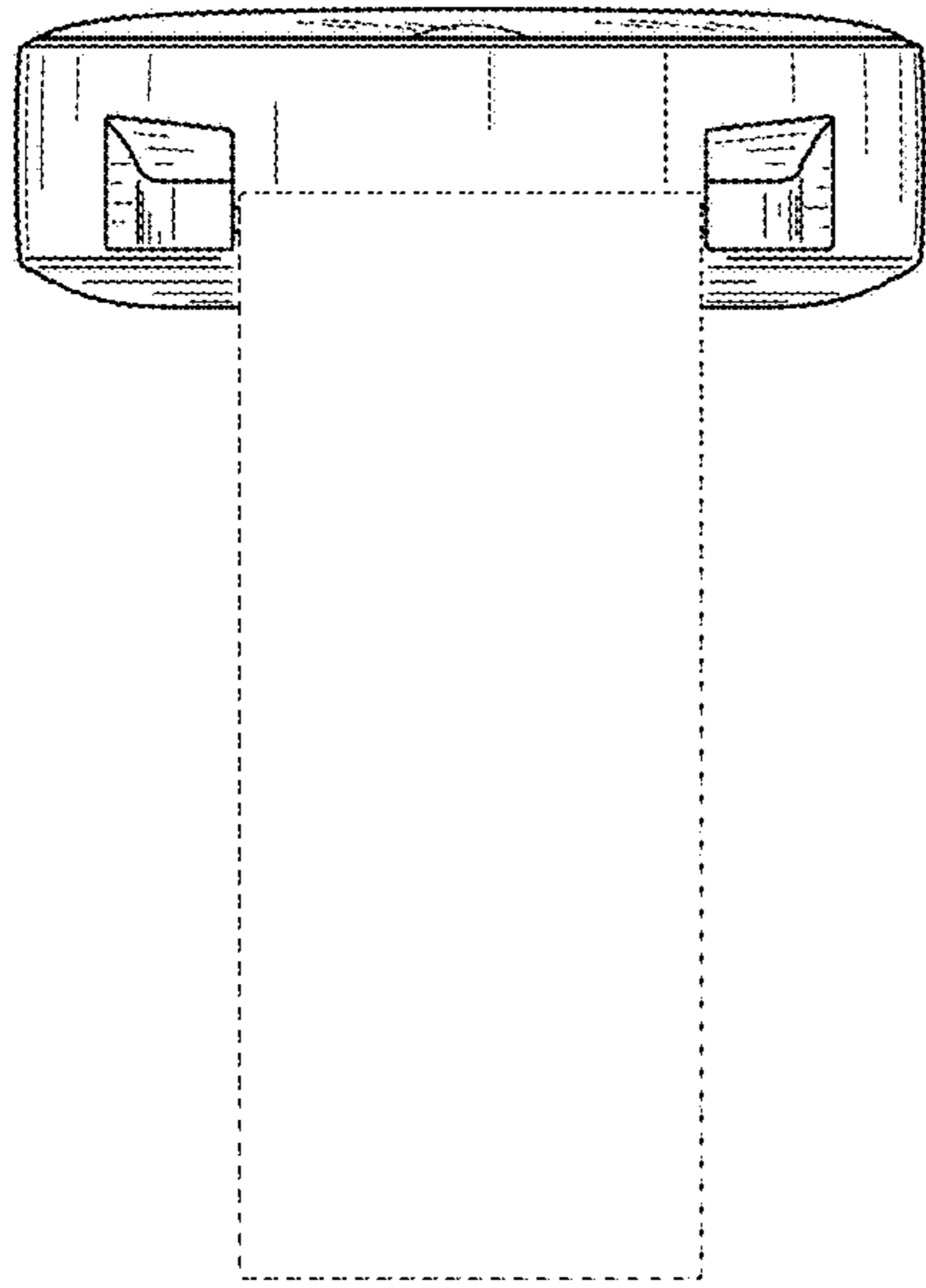


FIG. 6

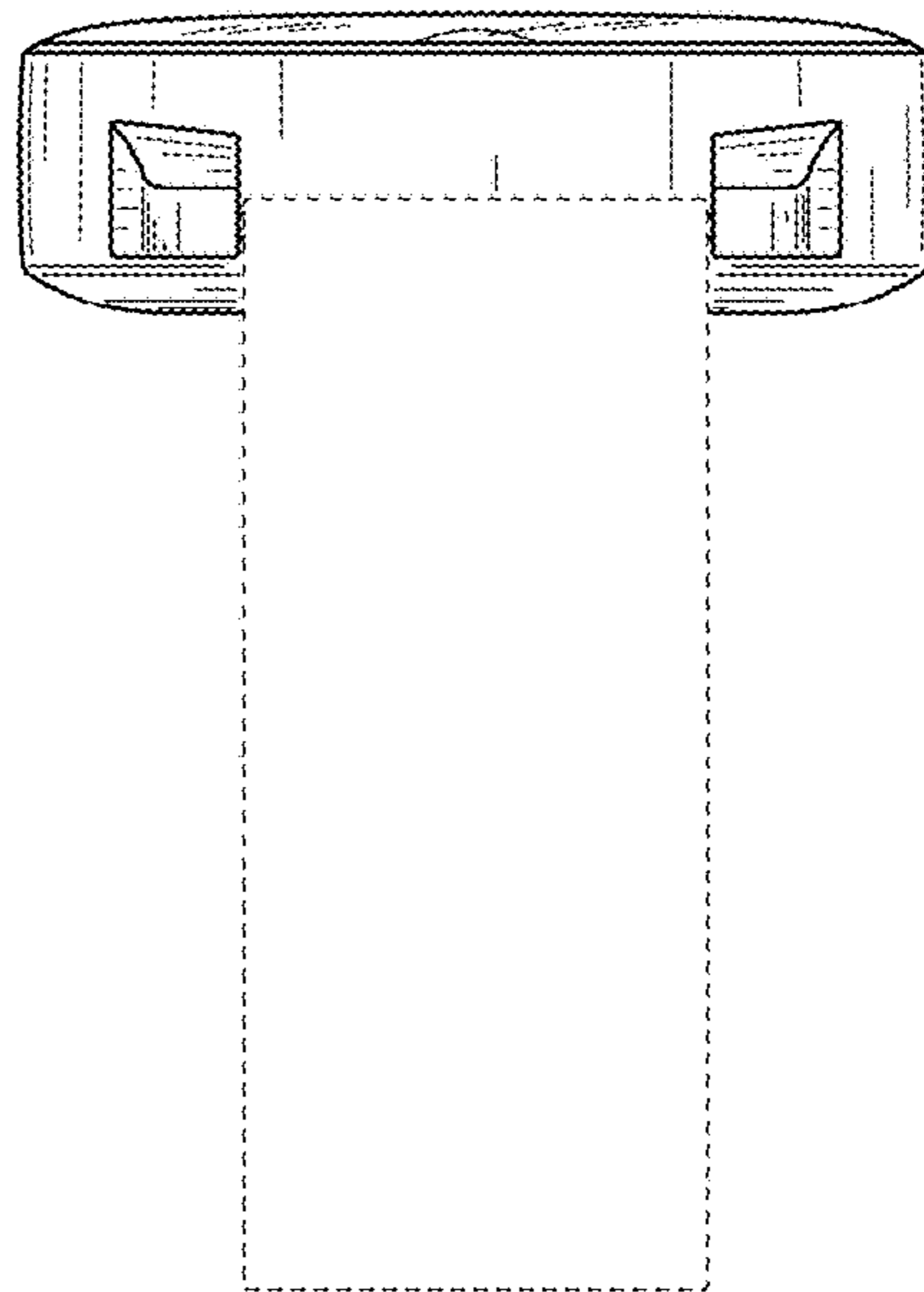


FIG. 7