



US00D795708S

(12) **United States Design Patent**
Monachon

(10) **Patent No.:** **US D795,708 S**

(45) **Date of Patent:** **** Aug. 29, 2017**

(54) **WATCHCASE**

(71) Applicant: **OMEGA LTD.**, Biel/Bienne (CH)

(72) Inventor: **Jean-Claude Monachon**, Bevaix (CH)

(73) Assignee: **OMEGA LTD.**, Biel/Bienne (CH)

(**) Term: **15 Years**

(21) Appl. No.: **29/538,994**

(22) Filed: **Sep. 10, 2015**

(30) **Foreign Application Priority Data**

Mar. 10, 2015 (WO) DM/086 420

(51) **LOC (10) Cl.** **10-02**

(52) **U.S. Cl.**
USPC **D10/30**

(58) **Field of Classification Search**
USPC D10/1, 17, 22, 30-39, 122-132
CPC G04B 45/0069; G04B 45/0076; G04B
47/04; G04B 47/042; G04B 37/0008;
G04B 19/06; G04F 7/08
See application file for complete search history.

(56) **References Cited**

U.S. PATENT DOCUMENTS

D418,427 S * 1/2000 Fichter D10/30
D436,044 S * 1/2001 Subilia D10/30
D590,274 S * 4/2009 Monachon D10/128

D648,638 S * 11/2011 Monachon D10/39
D656,416 S * 3/2012 Monachon D10/39
D733,583 S * 7/2015 Monachon D10/126
D736,654 S * 8/2015 Monachon D10/126
D736,655 S * 8/2015 Monachon D10/126
D738,227 S * 9/2015 Monachon D10/126
D744,354 S * 12/2015 Loth D10/126
D769,134 S * 10/2016 Schwamkrug D10/38
D781,722 S * 3/2017 Behling D10/38
D784,829 S * 4/2017 Kita D10/38
2009/0245032 A1 * 10/2009 Bonnet G04B 37/0008
368/297

* cited by examiner

Primary Examiner — Sandra Snapp

Assistant Examiner — Katherine Glennon

(74) *Attorney, Agent, or Firm* — Donald J. Ranft; Collen IP

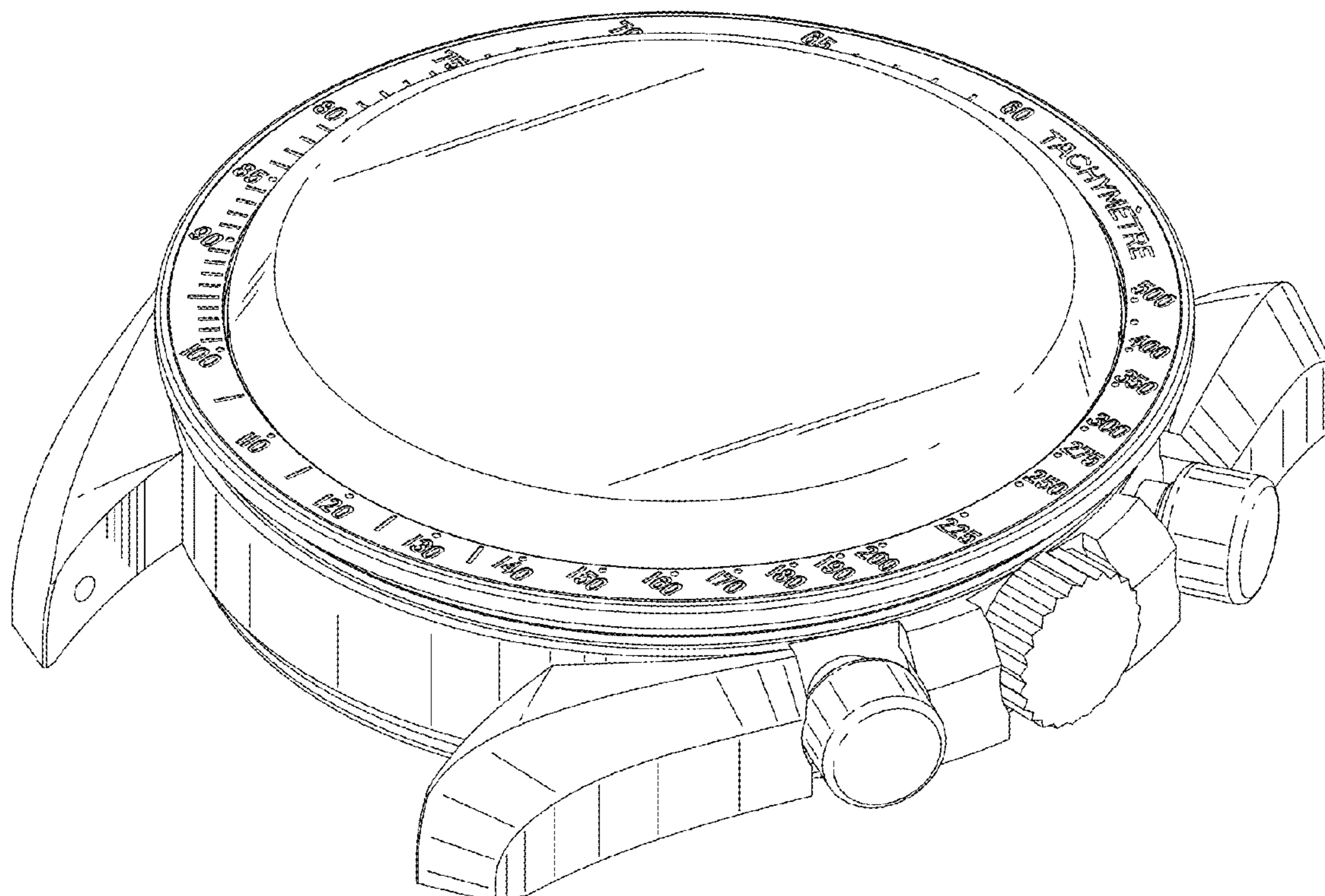
(57) **CLAIM**

The ornamental design for a watchcase, as shown.

DESCRIPTION

FIG. 1 is a front right perspective view of a watchcase showing my new design;
FIG. 2 is a rear left perspective view thereof;
FIG. 3 is a front view thereof;
FIG. 4 is a rear view thereof;
FIG. 5 is a left side view thereof;
FIG. 6 is a right side view thereof;
FIG. 7 is a bottom view thereof; and,
FIG. 8 is a top view thereof.

1 Claim, 8 Drawing Sheets



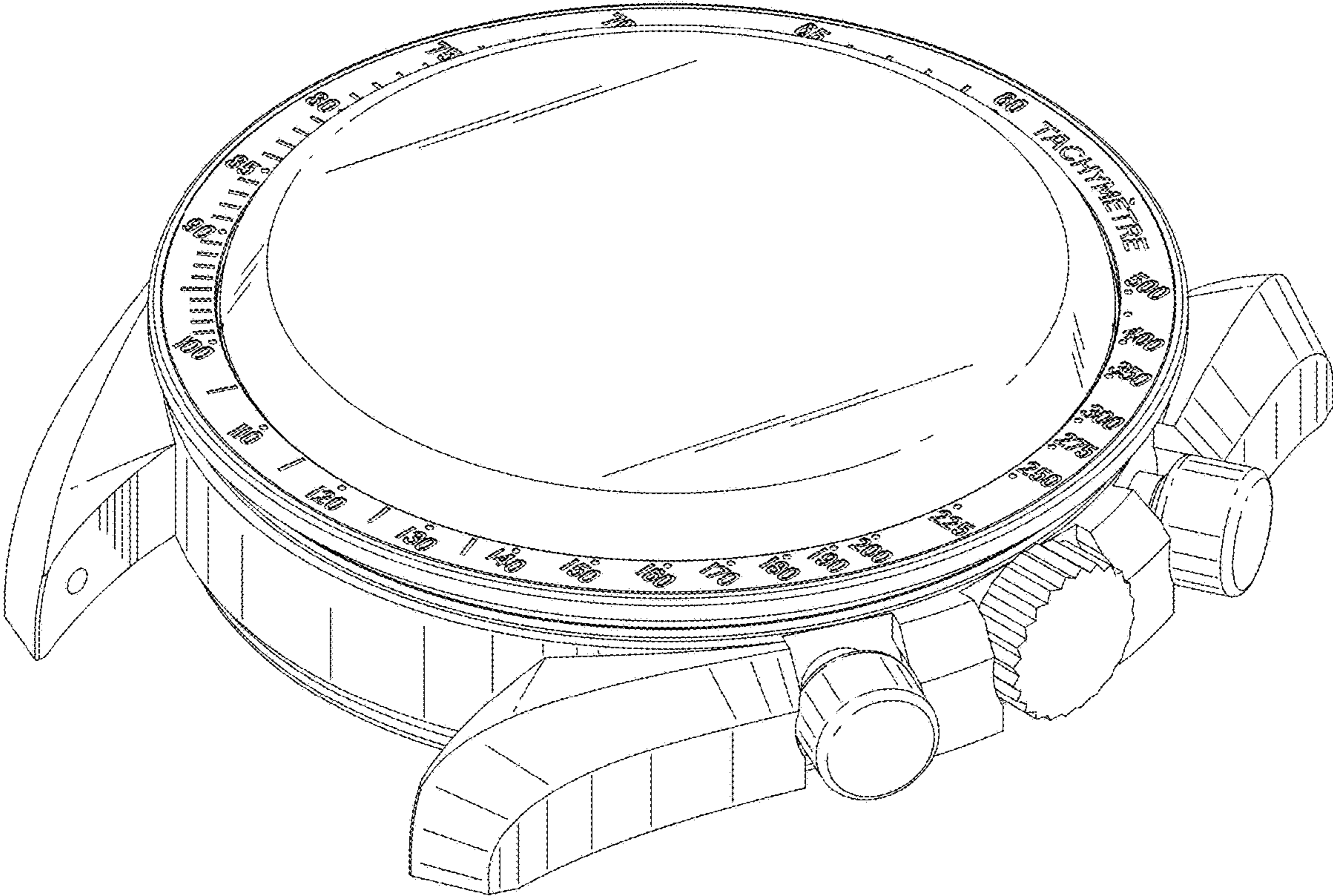


FIG. 1

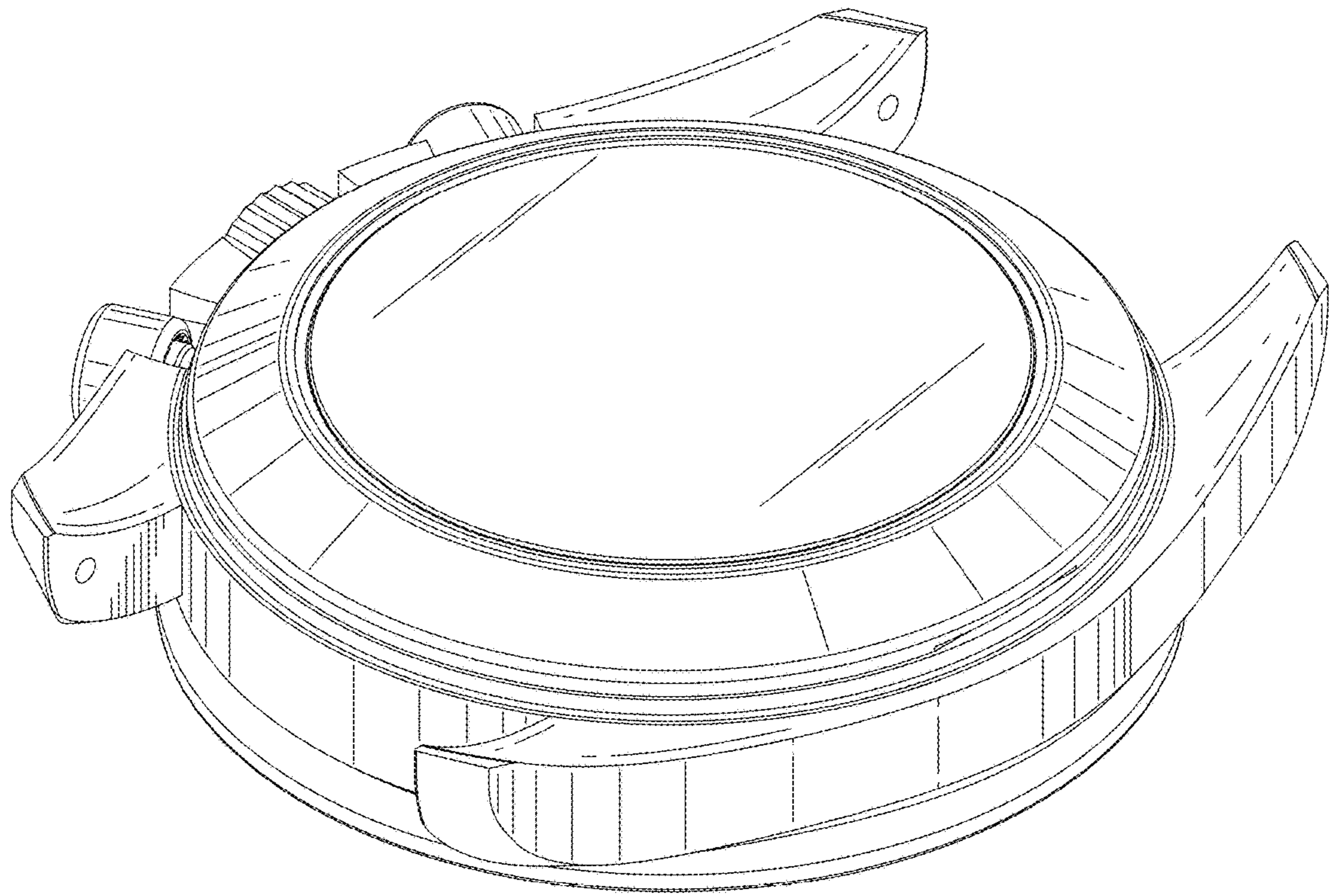


FIG. 2

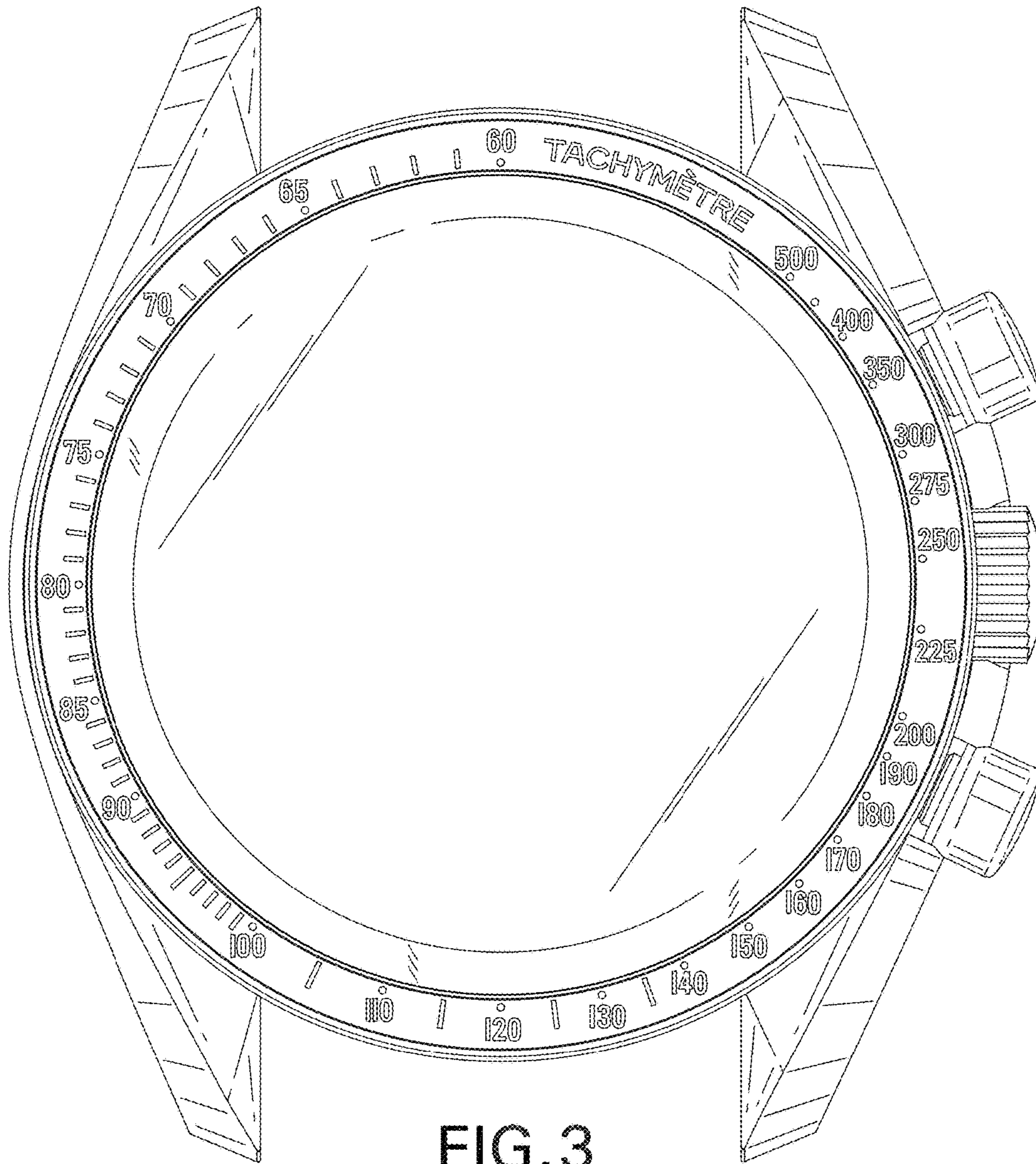


FIG. 3

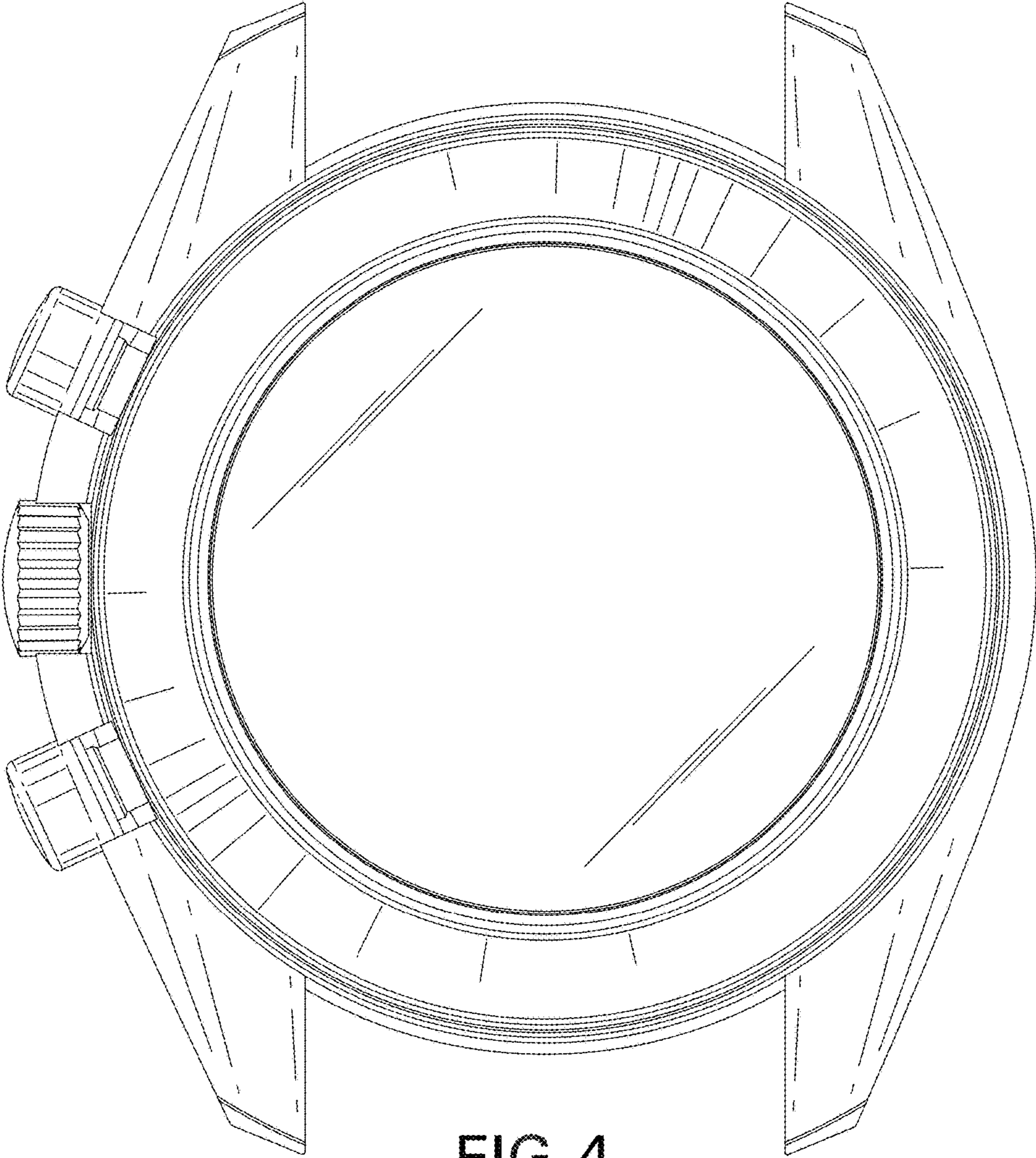


FIG. 4

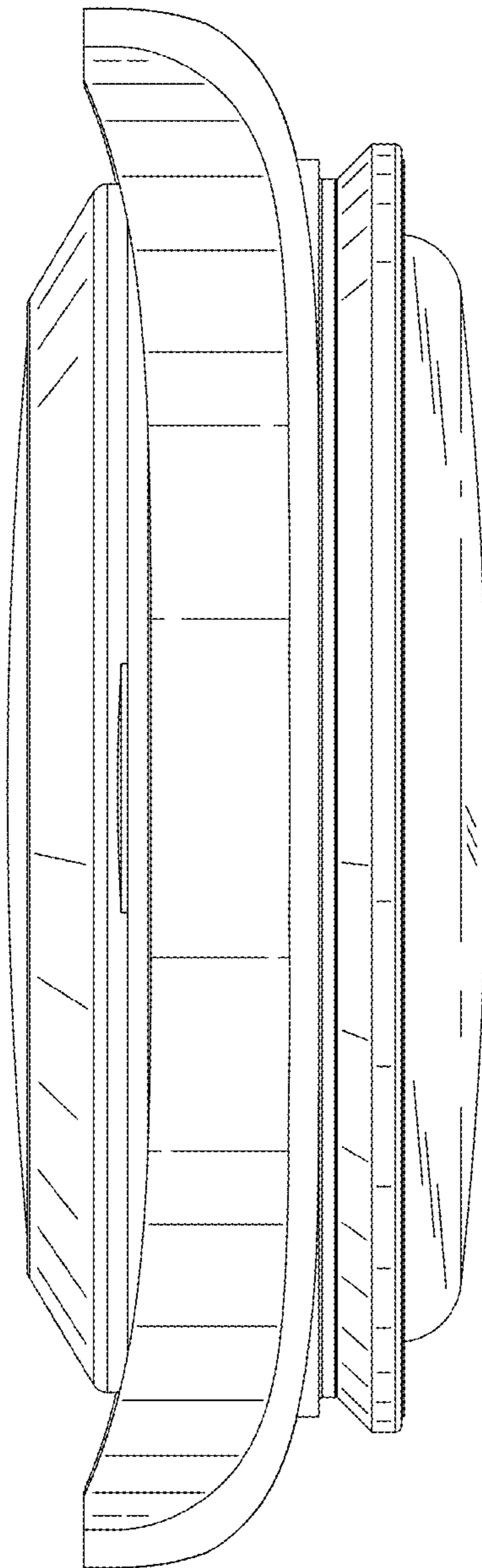


FIG. 5

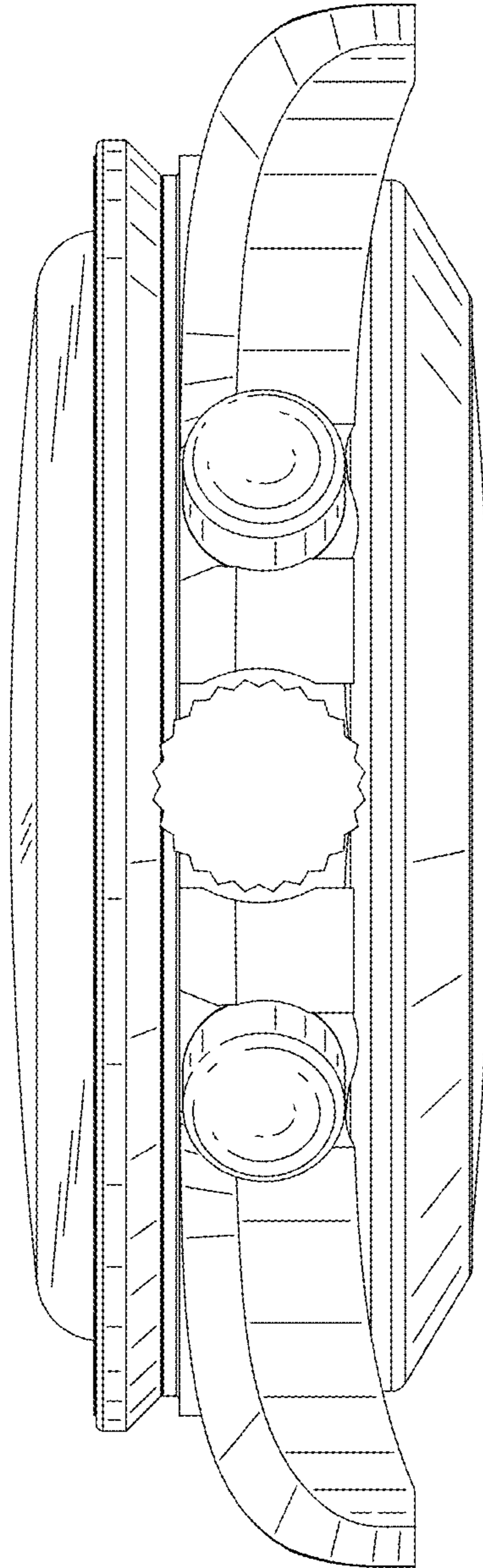


FIG. 6

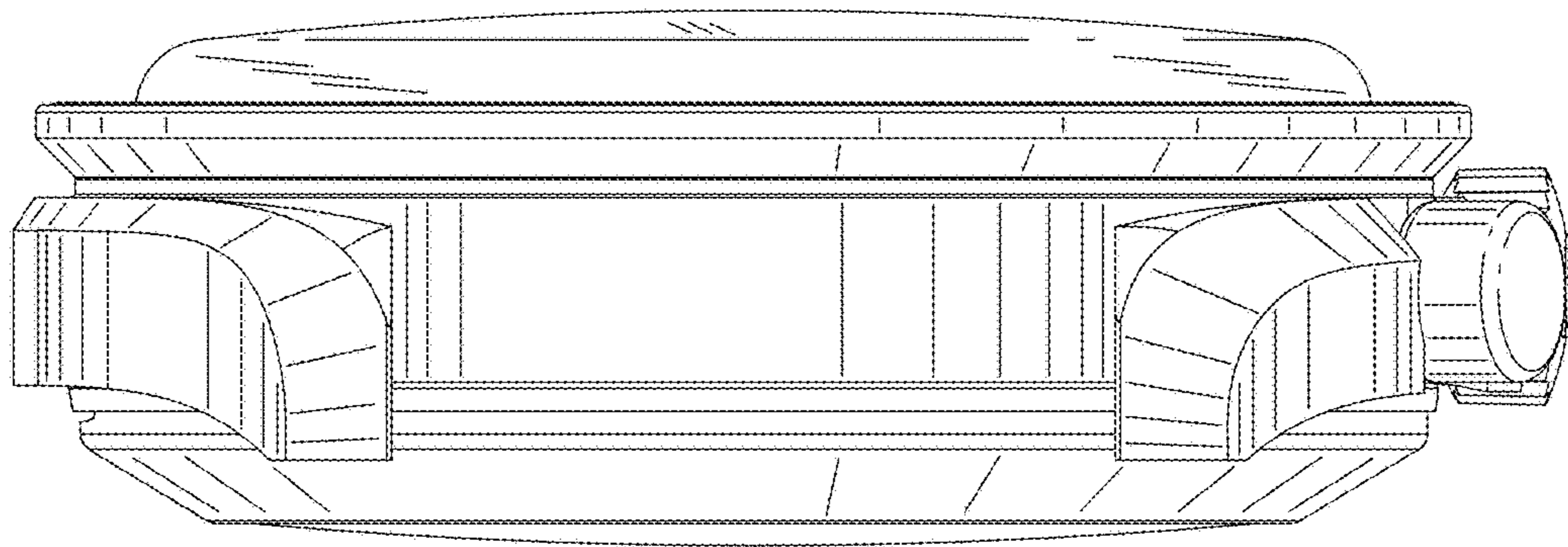


FIG. 7

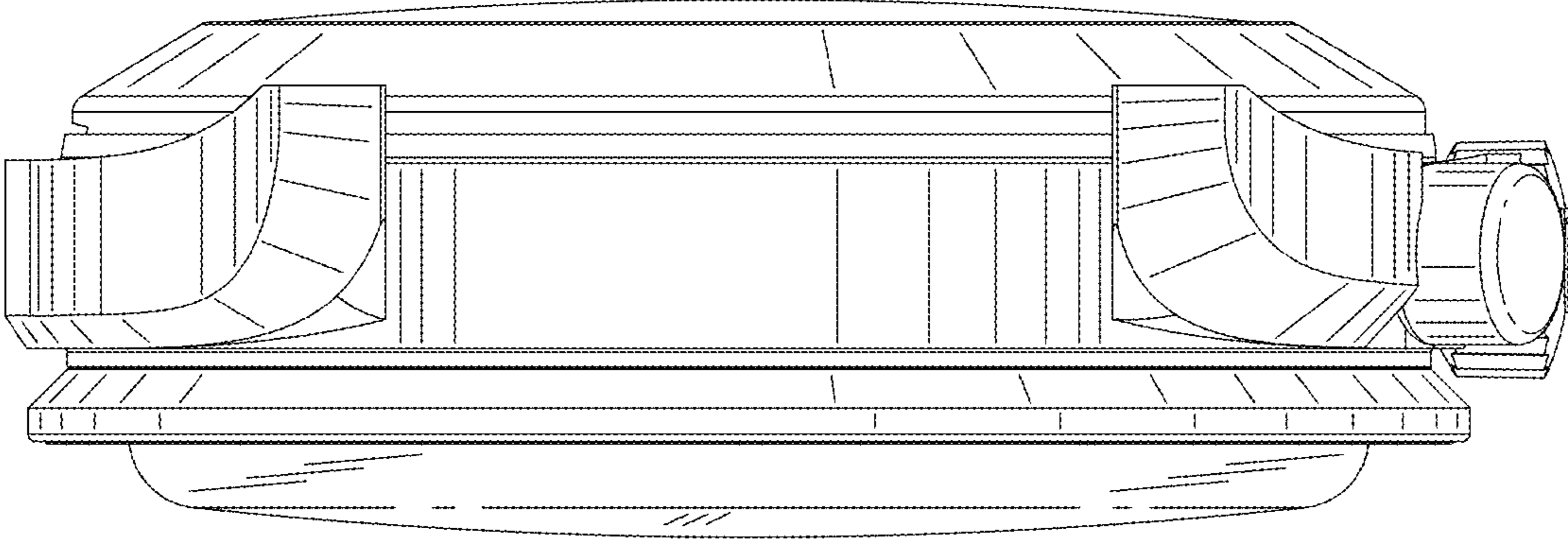


FIG. 8