



US00D795707S

(12) **United States Design Patent**
Monachon

(10) **Patent No.:** **US D795,707 S**

(45) **Date of Patent:** **** Aug. 29, 2017**

(54) **WATCHCASE**

(71) Applicant: **OMEGA SA (OMEGA AG) (OMEGA LTD.)**, Biel/Bienne (CH)

(72) Inventor: **Jean-Claude Monachon**, Bevaix (CH)

(73) Assignee: **OMEGA SA**, Biel/Bienne (CH)

(**) Term: **15 Years**

(21) Appl. No.: **29/538,867**

(22) Filed: **Sep. 9, 2015**

(30) **Foreign Application Priority Data**

Mar. 10, 2015 (WO) DM/085 818

(51) **LOC (10) Cl.** **10-02**

(52) **U.S. Cl.**
USPC **D10/30**

(58) **Field of Classification Search**
USPC D10/1, 17, 22, 30-39, 122-132
CPC G04B 45/0069; G04B 45/0076;
G04B 47/04; G04B 47/042;
G04B 37/0008; G04B 19/06; G04F 7/08
See application file for complete search history.

(56) **References Cited**

U.S. PATENT DOCUMENTS

D358,776 S *	5/1995	Pandel	D10/30
D365,526 S *	12/1995	Gardner	D10/126
D394,214 S *	5/1998	Sang	D10/30
D400,804 S *	11/1998	Riley	D10/30
D436,044 S *	1/2001	Subilia	D10/30
D551,095 S *	9/2007	Monachon	D10/32

D554,535 S *	11/2007	Journe	D10/31
D645,766 S *	9/2011	Bertucci	D10/38
D677,176 S *	3/2013	Ruffieux	D10/39
D679,201 S *	4/2013	Jacquerye	D10/39
D694,655 S *	12/2013	Rufenacht	D10/38
D695,637 S *	12/2013	Jacquerye	D10/39
D708,965 S *	7/2014	Monachon	D10/39
D709,389 S *	7/2014	Monachon	D10/39
D718,150 S *	11/2014	Gueit	D10/32
D718,152 S *	11/2014	Gueit	D10/32
D733,580 S *	7/2015	Cerrato	D10/38
D733,582 S *	7/2015	Gueit	D10/38
D740,696 S *	10/2015	Monachon	D10/126
D750,505 S *	3/2016	Cerrato	D10/30
2013/0201804 A1 *	8/2013	Bertrand	G04B 19/283 368/281

* cited by examiner

Primary Examiner — Sandra Snapp

Assistant Examiner — Katherine Glennon

(74) *Attorney, Agent, or Firm* — Donald J. Ranft; Collen IP

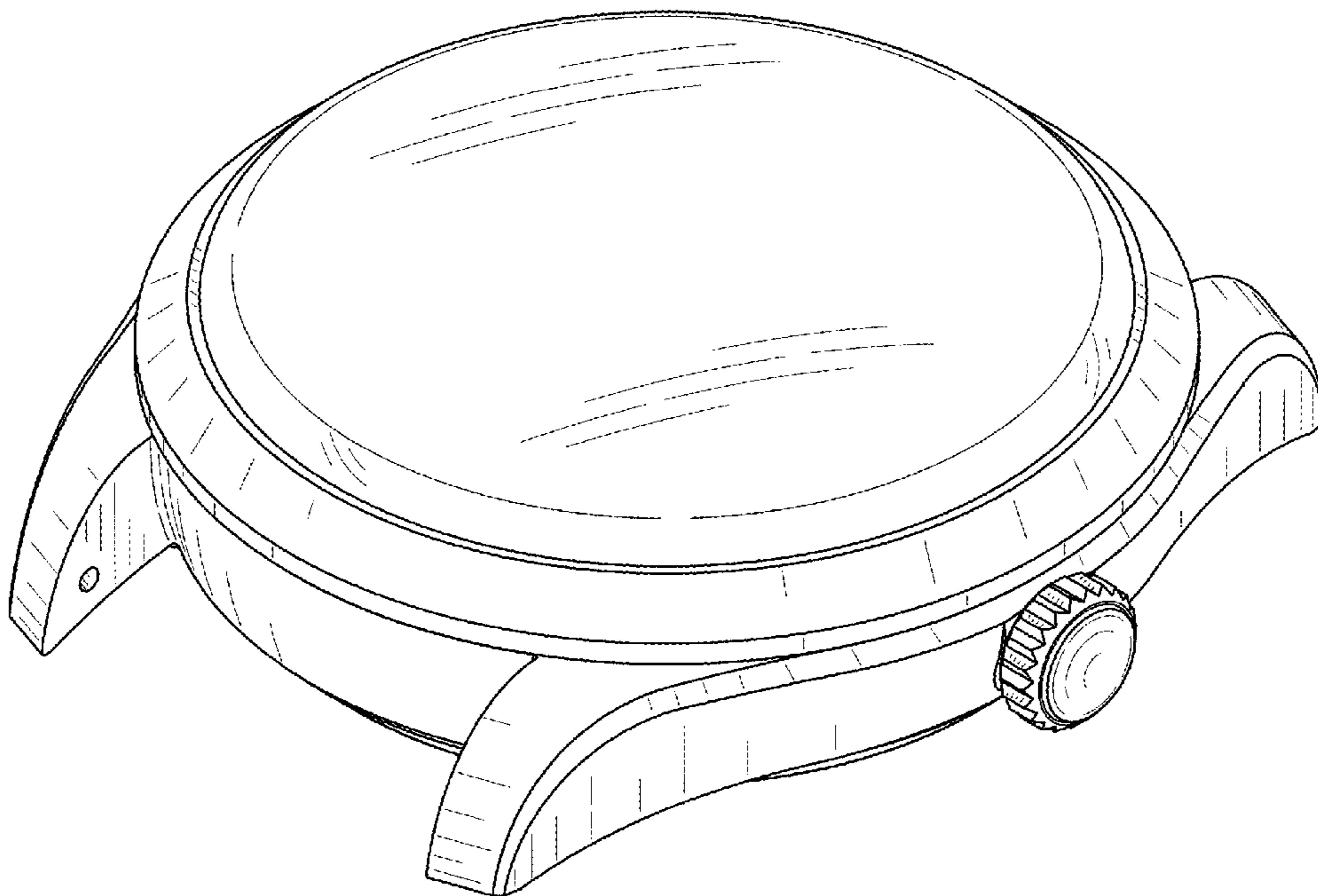
(57) **CLAIM**

The ornamental design for a watchcase, as shown.

DESCRIPTION

FIG. 1 is a front right perspective view of a watchcase showing my new design;
FIG. 2 is a front view thereof;
FIG. 3 is a rear view thereof;
FIG. 4 is a left side view thereof;
FIG. 5 is a right side view thereof;
FIG. 6 is a top view thereof;
FIG. 7 is a bottom view thereof; and,
FIG. 8 is a rear right perspective view thereof.

1 Claim, 6 Drawing Sheets



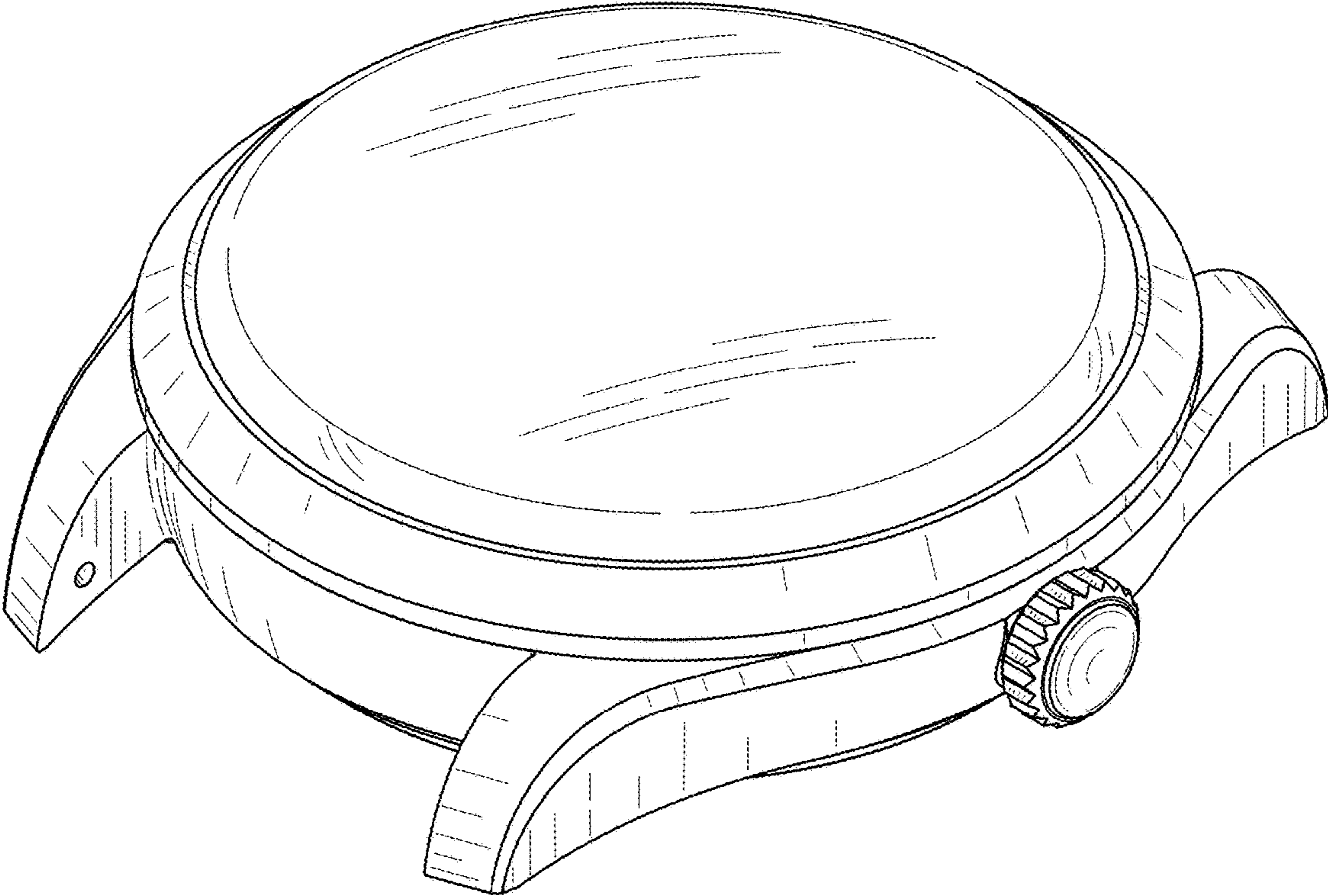


FIG. 1

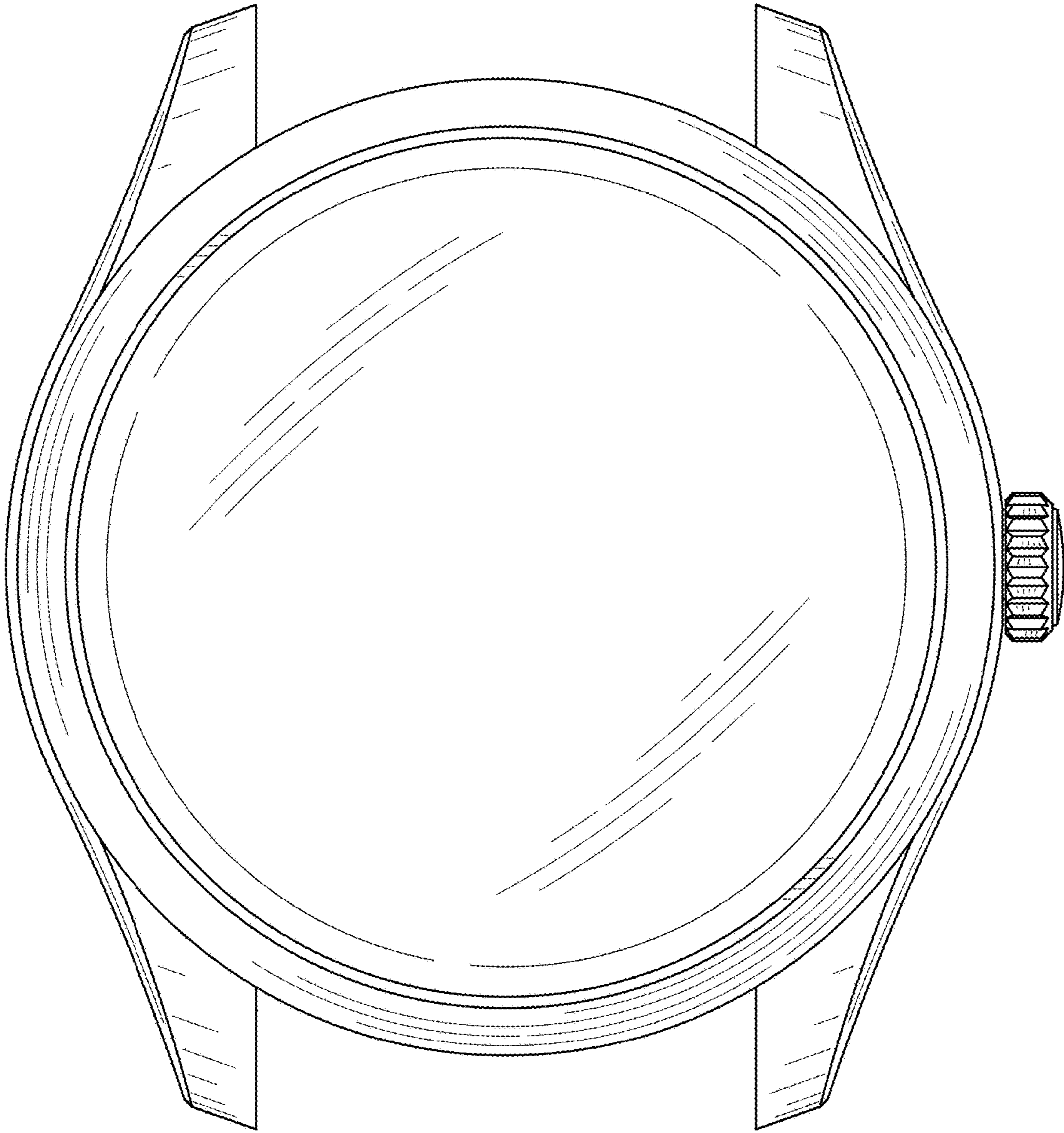


FIG. 2

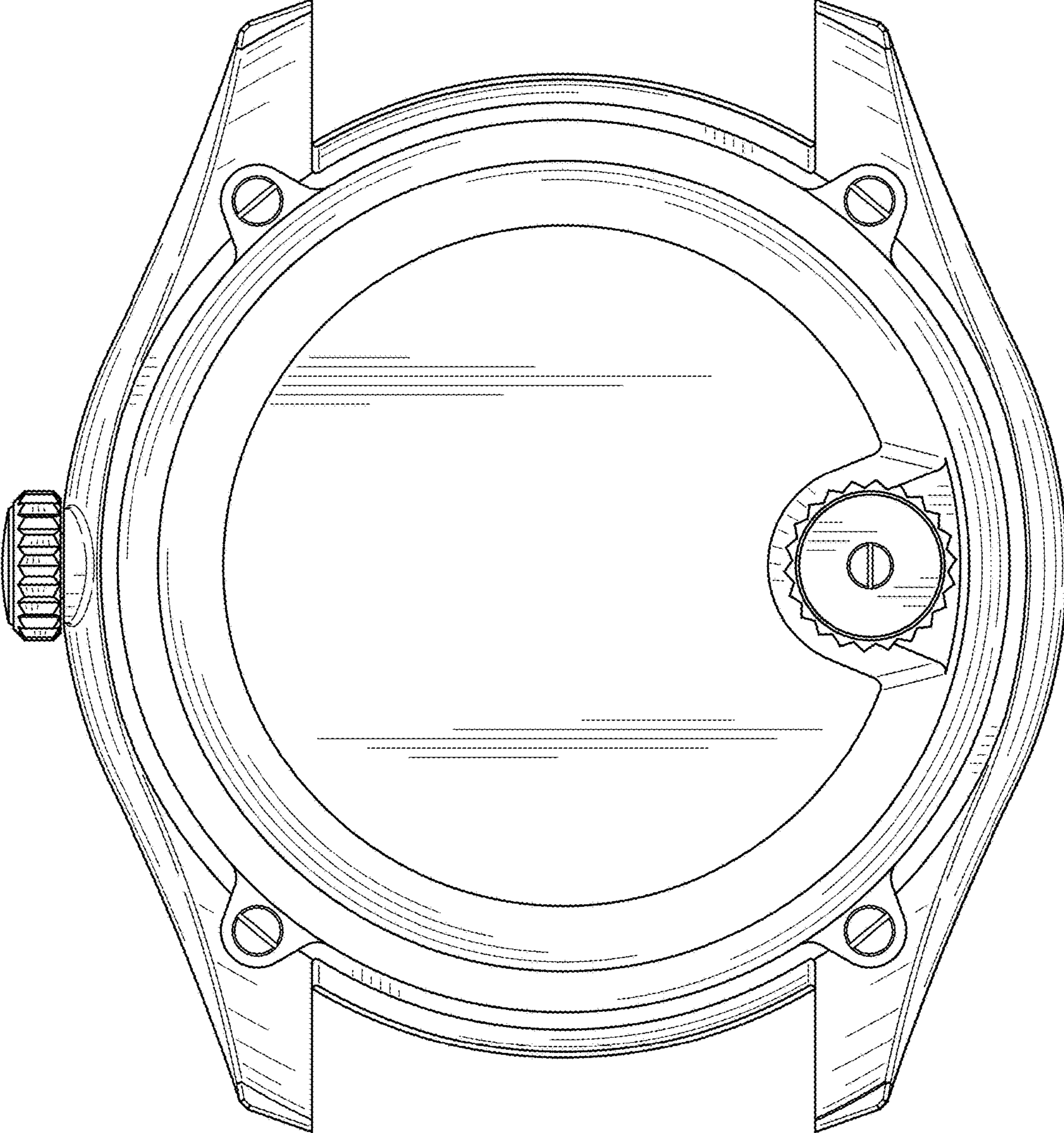


FIG. 3

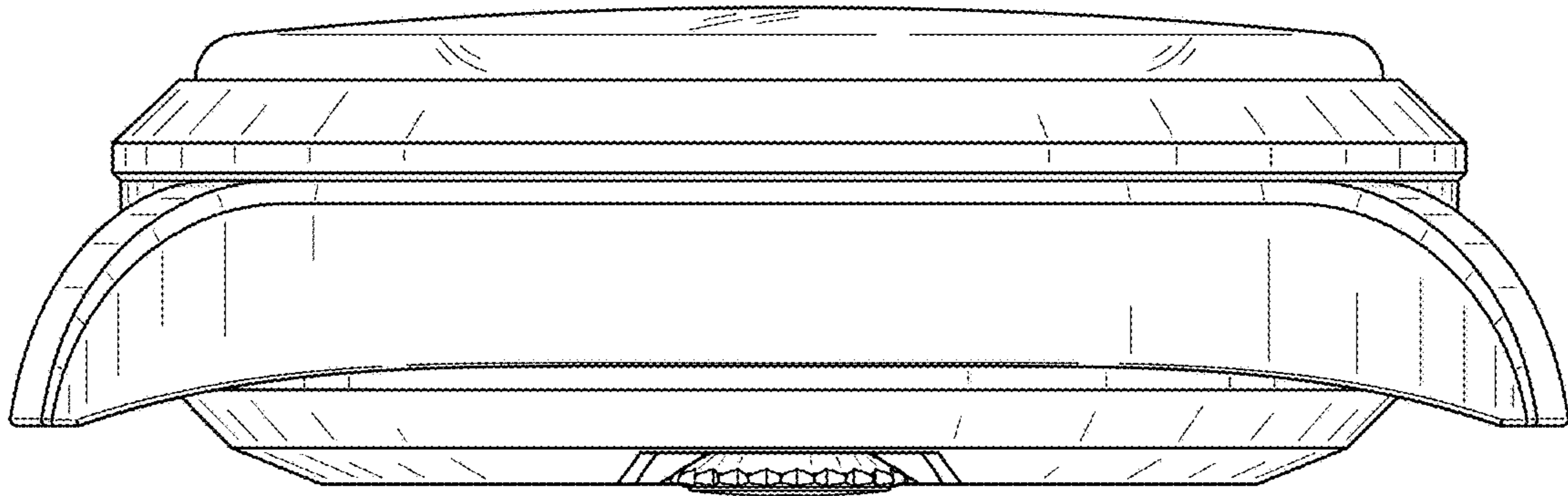


FIG. 4

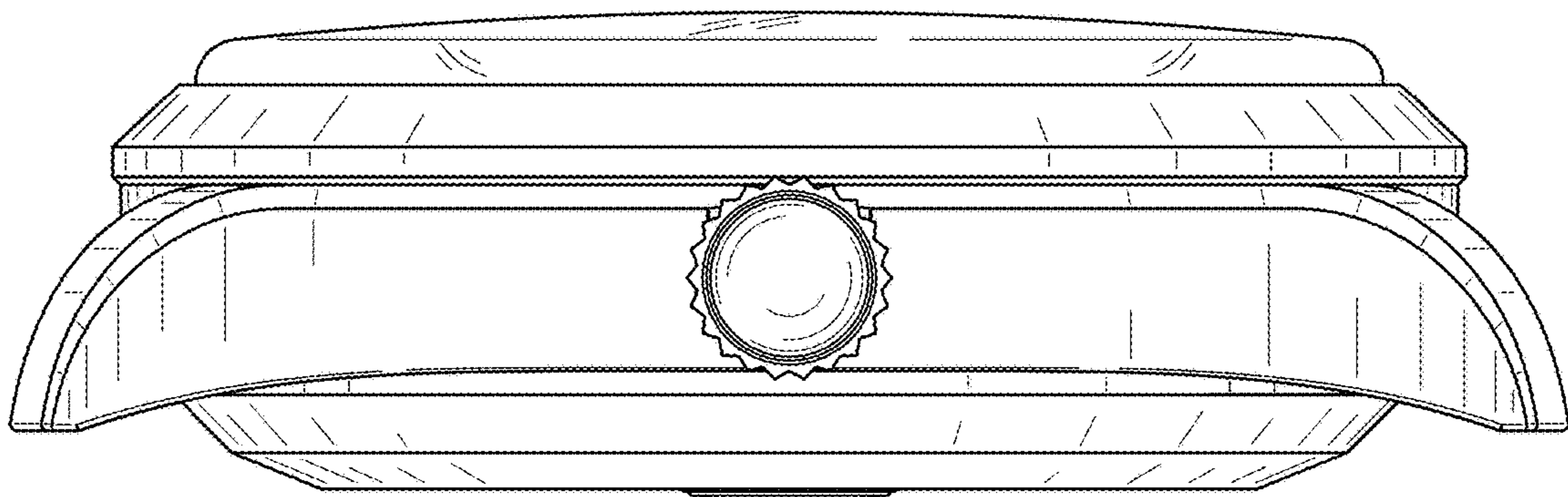


FIG. 5

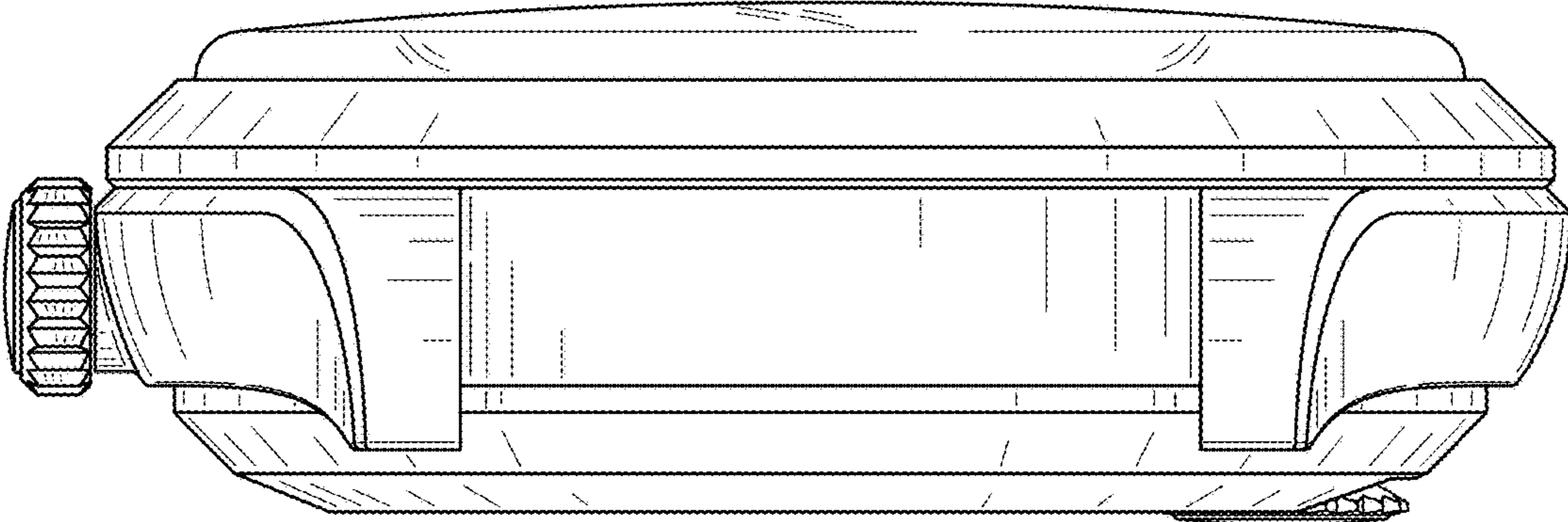


FIG. 6

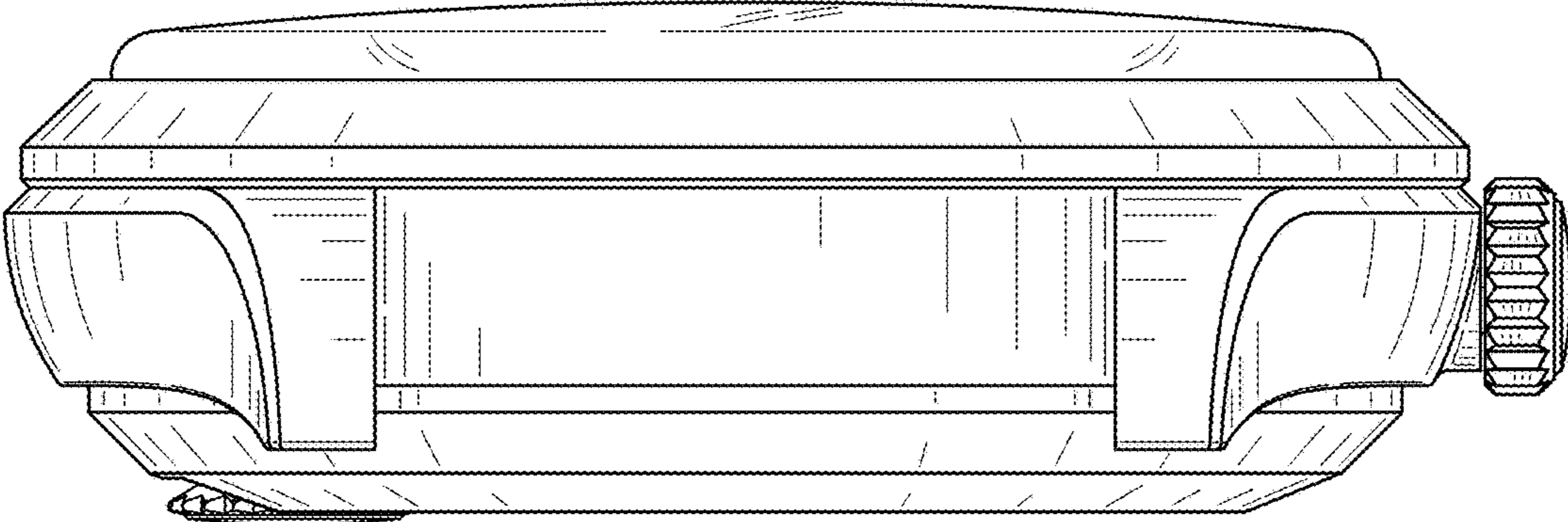


FIG. 7

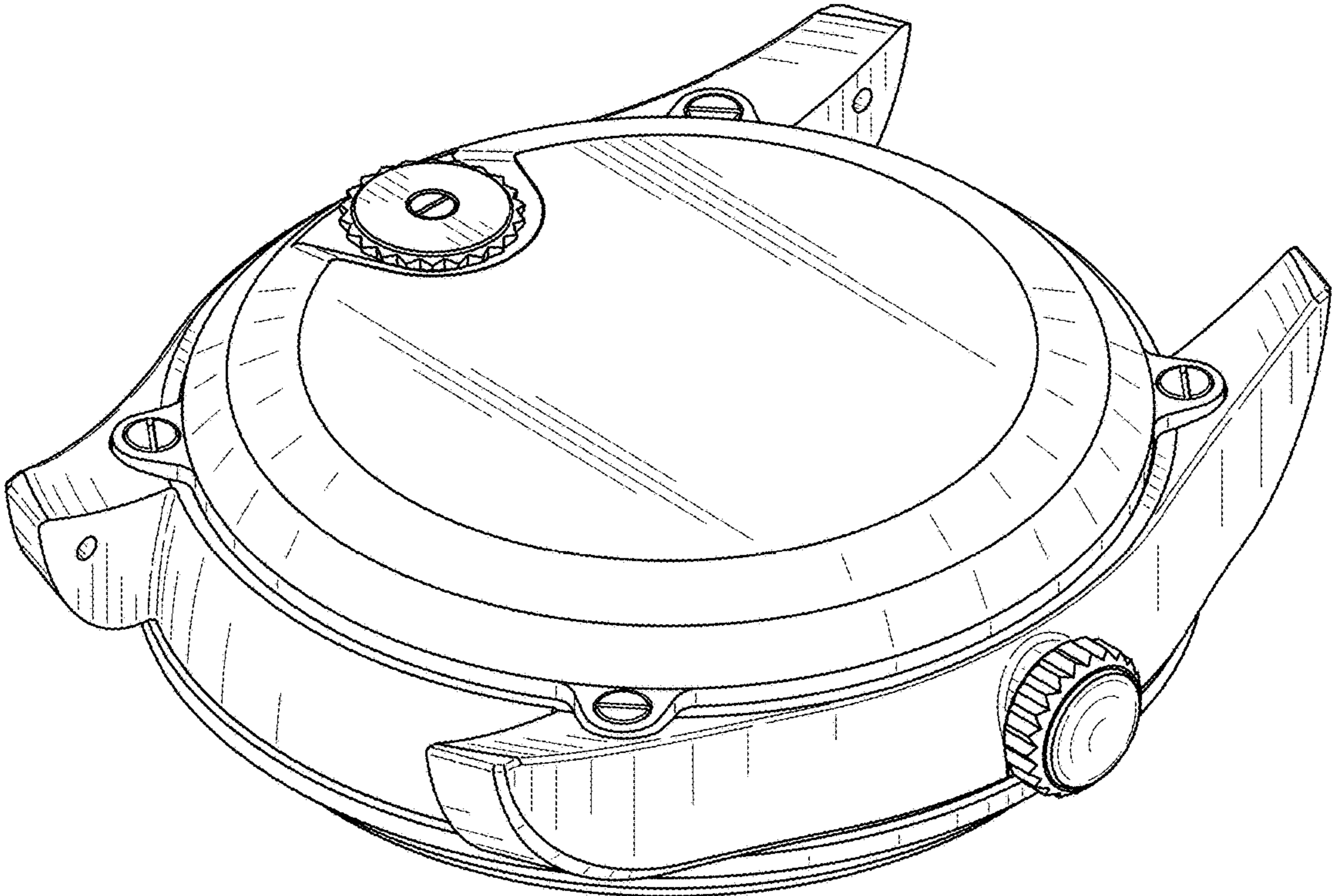


FIG. 8