



US00D795705S

(12) **United States Design Patent** (10) **Patent No.:** **US D795,705 S**
Huang (45) **Date of Patent:** **** Aug. 29, 2017**

(54) **COMPARTMENTALIZED CONTAINER**

(71) Applicant: **JIH HSIN GLASS CO., LTD.**,
Hsinchu (TW)

(72) Inventor: **Yun-Chien Huang**, Hsinchu (TW)

(73) Assignee: **JIH HSIN GLASS CO., LTD.**,
Hsinchu (TW)

(**) Term: **15 Years**

(21) Appl. No.: **29/550,094**

(22) Filed: **Dec. 30, 2015**

(51) **LOC (10) Cl.** **09-01**

(52) **U.S. Cl.**
USPC **D9/738**

(58) **Field of Classification Search**
USPC D9/549, 558, 518, 552, 573–575, 746,
D9/300, 424, 434, 454, 453, 428, 435,
D9/686, 690, 692, 715, 716, 719, 721,
D9/737, 738, 743, 751, 752, 761, 741,
D9/747; D7/509–511, 563, 573, 513,
D7/507, 523, 532, 538–545, 300, 308,
D7/312, 315, 601, 602, 619.1, 622, 629,
D7/608, 305, 603, 605, 619, 700, 614;
D3/201, 203.1, 203.3; D6/534, 528, 551;
D24/226, 227, 229; D28/4, 8, 73, 76, 77,
D28/82, 91; 264/532; 222/129, 94, 135,
222/541.1, 541.5, 541.6, 562, 288, 376;
220/505, 504, 288, 709, 23.4, 23.8, 23.88,
220/633, 916, 23.83, 660, 662, 669, 675,
220/212, 670–673; 215/6, 10, 1 R, 1 C,
215/379, 381–385, 316, 328, 355;
206/434, 426, 427, 429, 430, 485, 485.1,
206/499, 508, 431; 229/117.3, 185, 121,
229/122, 200, 207, 236, 87.01; 211/74
CPC A24F 23/00; A45D 40/00; B65D 81/3205;
B65D 1/16; B65D 1/48; B65D 25/20;
B65D 41/04; B65D 1/10; B65D 1/00;
A45F 3/20

See application file for complete search history.

(56) **References Cited**

U.S. PATENT DOCUMENTS

4,804,101 A * 2/1989 Heath A45C 11/00
206/236
D355,735 S * 2/1995 Shaffer D32/53
D390,418 S * 2/1998 Jagger D7/543
D398,079 S * 9/1998 Denison D28/77
D402,559 S * 12/1998 Klima, Jr. D9/434
D409,086 S * 5/1999 Brown D9/503
D409,442 S * 5/1999 Kilpatrick D7/509
H1855 H * 8/2000 Litton A45D 40/00
D28/82
D470,273 S * 2/2003 Revivo D28/76

(Continued)

OTHER PUBLICATIONS

Glam Glow Dream Duo, available Oct. 18, 2016, [online], [site visited Jun. 9, 2017]. Available from internet, <URL: <http://www.patentpurplelife.com/2016/10/18/glamglow-dreamduo-overnight-transforming-treatment/>>.*

(Continued)

Primary Examiner — Cathron Brooks
Assistant Examiner — Teddy Falloway
(74) *Attorney, Agent, or Firm* — Rabin & Berdo, P.C.

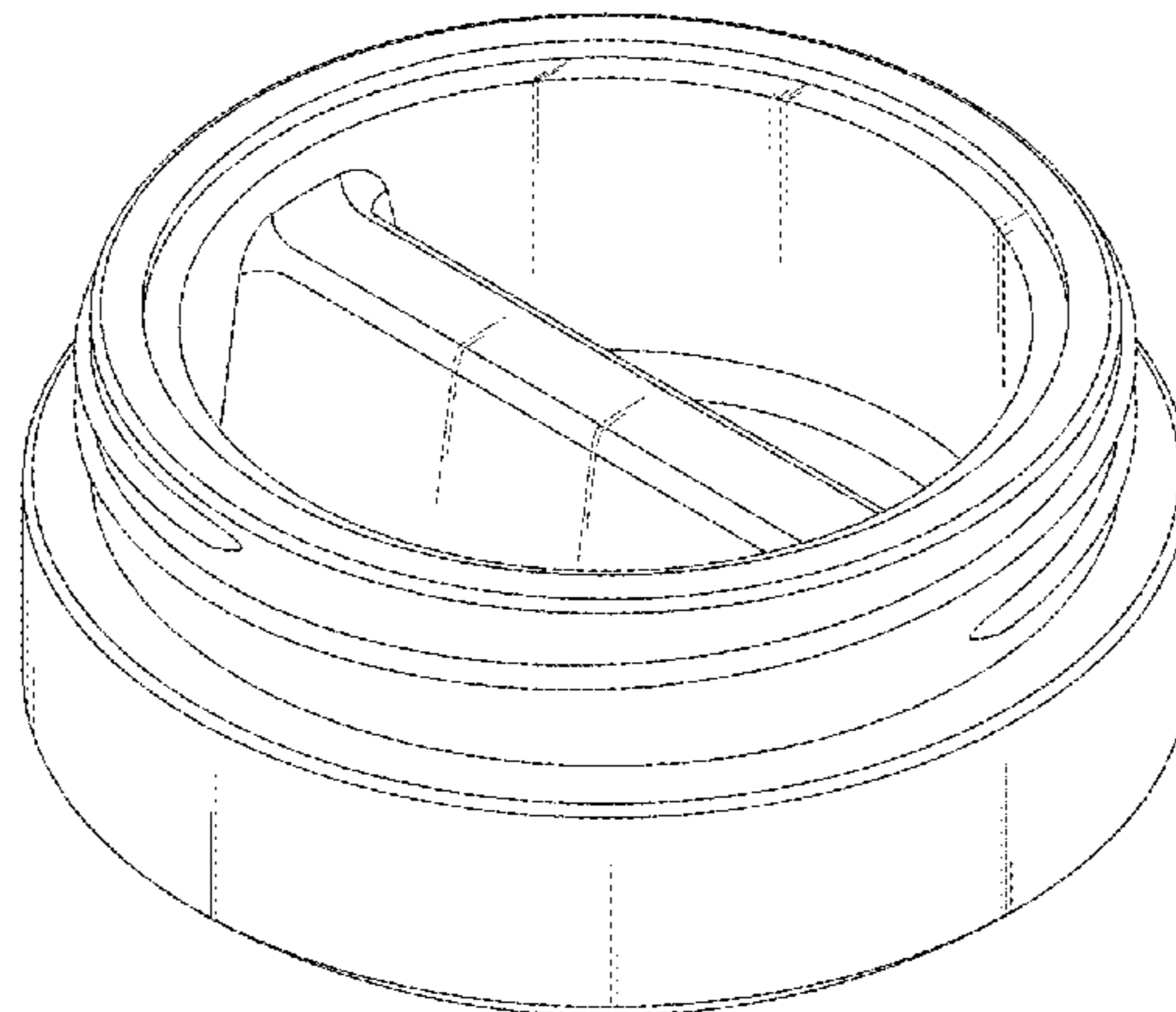
(57) **CLAIM**

The ornamental design for a compartmentalized container, as shown and described.

DESCRIPTION

FIG. 1 is a perspective view of a compartmentalized container showing our new design;
FIG. 2 is a front elevational view thereof;
FIG. 3 is a rear elevational view thereof;
FIG. 4 is a left side elevational view thereof;
FIG. 5 is a right side elevational view thereof;
FIG. 6 is a top view thereof; and,
FIG. 7 is a bottom view thereof.

1 Claim, 7 Drawing Sheets



(56)

References Cited

U.S. PATENT DOCUMENTS

D510,524	S	*	10/2005	Houk	D9/503
D555,835	S	*	11/2007	Song	D28/76
D577,290	S	*	9/2008	Moretti	D9/500
D578,891	S	*	10/2008	Canamasas Puigbo	D9/500
D581,809	S	*	12/2008	Wichowski	D9/504
D582,277	S	*	12/2008	Canamasas Puigbo	D9/500
D582,291	S	*	12/2008	de Baschmakoff	D9/560
D634,192	S	*	3/2011	Mueller	D9/436
D641,257	S	*	7/2011	Thiebaut	D9/454
D645,747	S	*	9/2011	Yu	D9/445
D651,519	S	*	1/2012	Gibson	D9/428
D651,900	S	*	1/2012	Ashiwa	D9/504
D659,004	S	*	5/2012	McCoy	D28/82
D660,693	S	*	5/2012	Berggren	D9/421
D696,790	S	*	12/2013	Nemeth	D24/224
D717,469	S	*	11/2014	Nemeth	D24/224
D775,959	S	*	1/2017	Owen	D28/82
D778,175	S	*	2/2017	Eberlein	D9/503
D778,733	S	*	2/2017	Eberlein	D9/504
D787,895	S	*	5/2017	Kilduff	D7/629
2005/0173272	A1	*	8/2005	Lemmons	A24F 23/00 206/256

OTHER PUBLICATIONS

Wooden Round 2-Compartment Salt Box, available May 5, 2003, [online], [site visited Jun. 12, 2017]. Available from internet, <URL: https://www.amazon.com/Paula-Deen-Signature-Pantryware-2-Compartment/dp/B002O4SIJK/ref=pd_sim_79_7?_encoding=UTF8&pd_rd_i=B002O4SIJK&pd_rd_r=38GG1DGA999C86K3X9R1&pd_rd_w=wiePB&pd_rd_wg=dJ24a&psc=l&refRID=38GG1DGA999C86K3X9R1.*

Removable Twist n' Lock™ Pill Organizer, available Dec. 6, 2013, [online], [site visited Jun. 12, 2017]. Available from internet, <URL: <https://www.blenderbottle.com/blogs/health-fitness/6-features-that-make-the-blenderbottle-prostak-the-ultimate-all-in-one>.*

Concentrate Containers, available Oct. 30, 2016, [online], [site visited Jun. 12, 2017]. Available from internet, <URL: <https://web.archive.org/web/20161030223659/http://www.shopcalikulture.com/710-double-chamber-non-stick-silicone-concentrate-containers-assorted-swirl-colors.html>.*

* cited by examiner

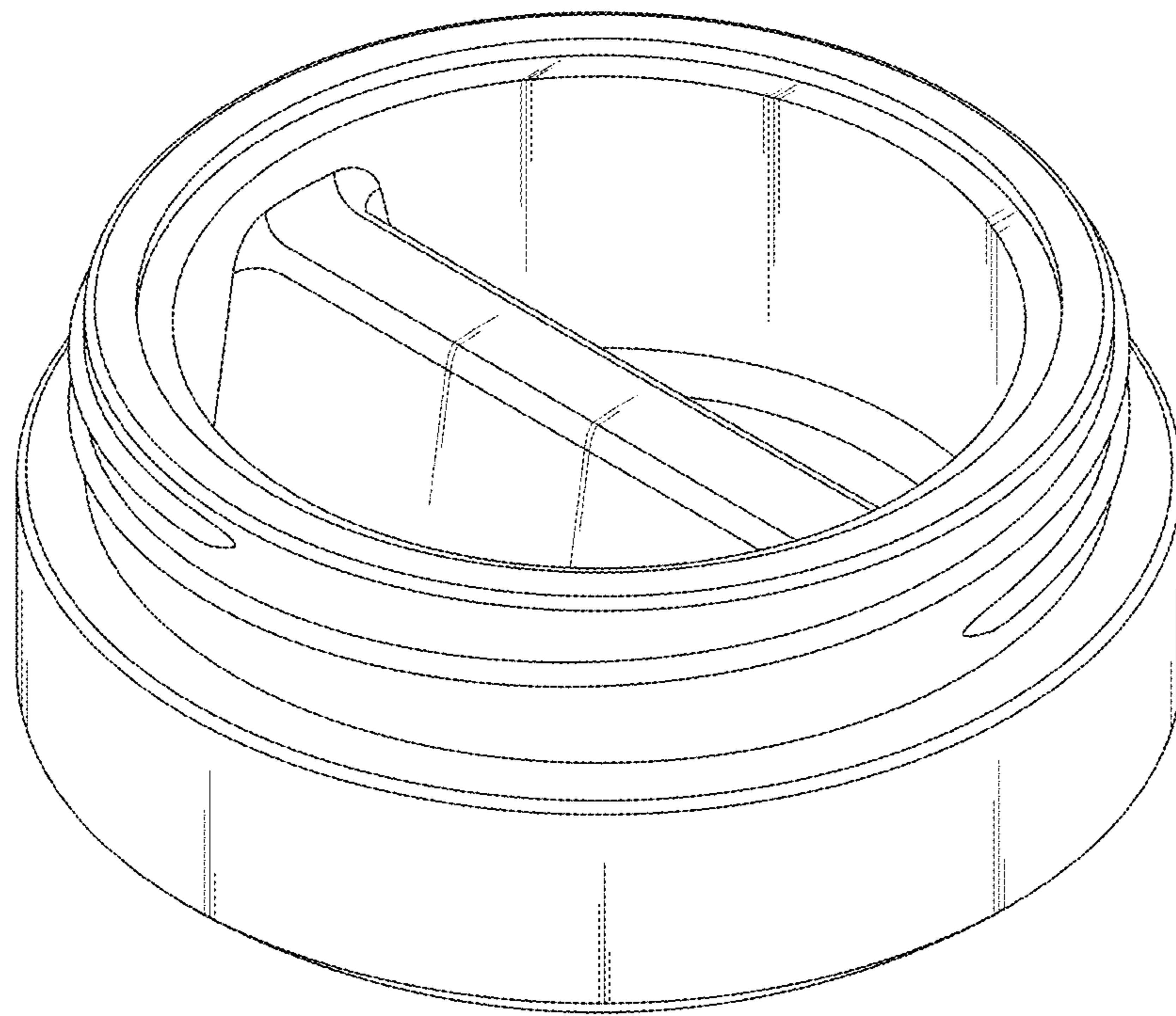


FIG. 1

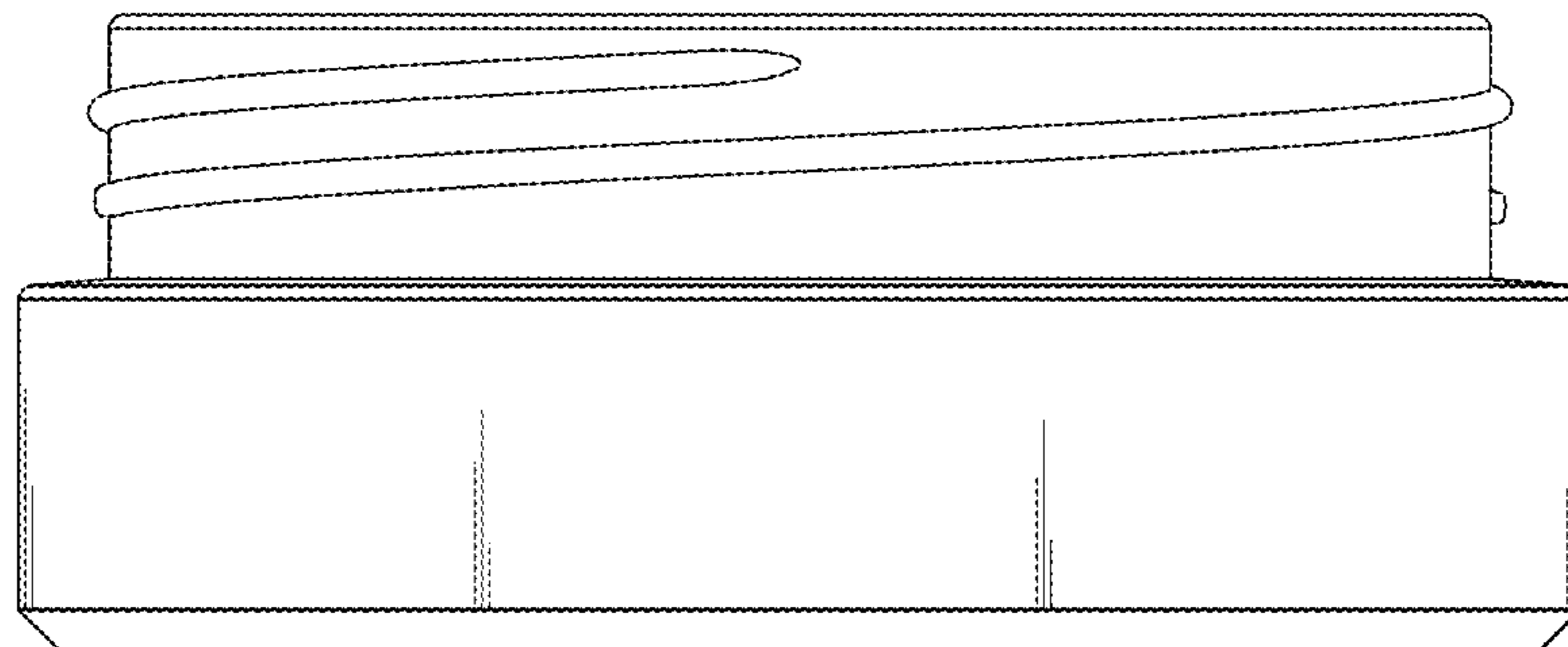


FIG. 2

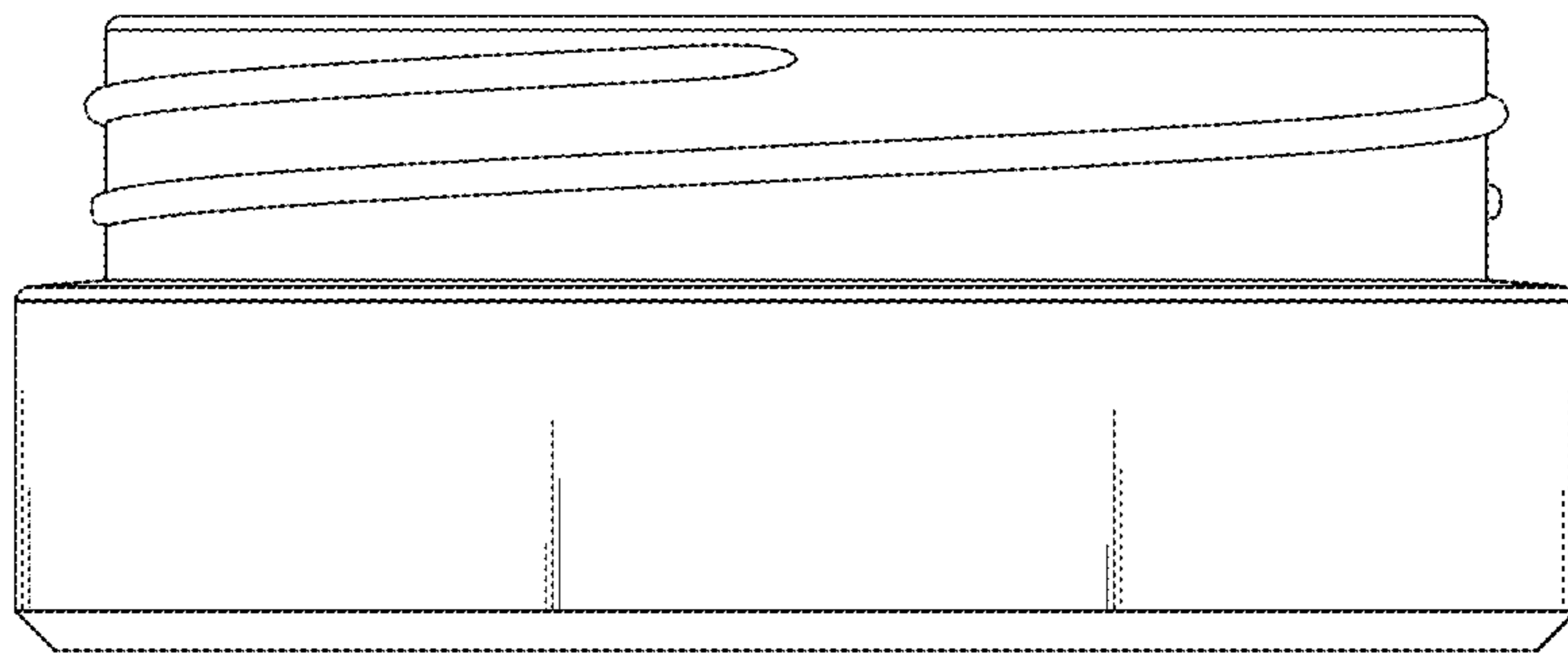


FIG. 3

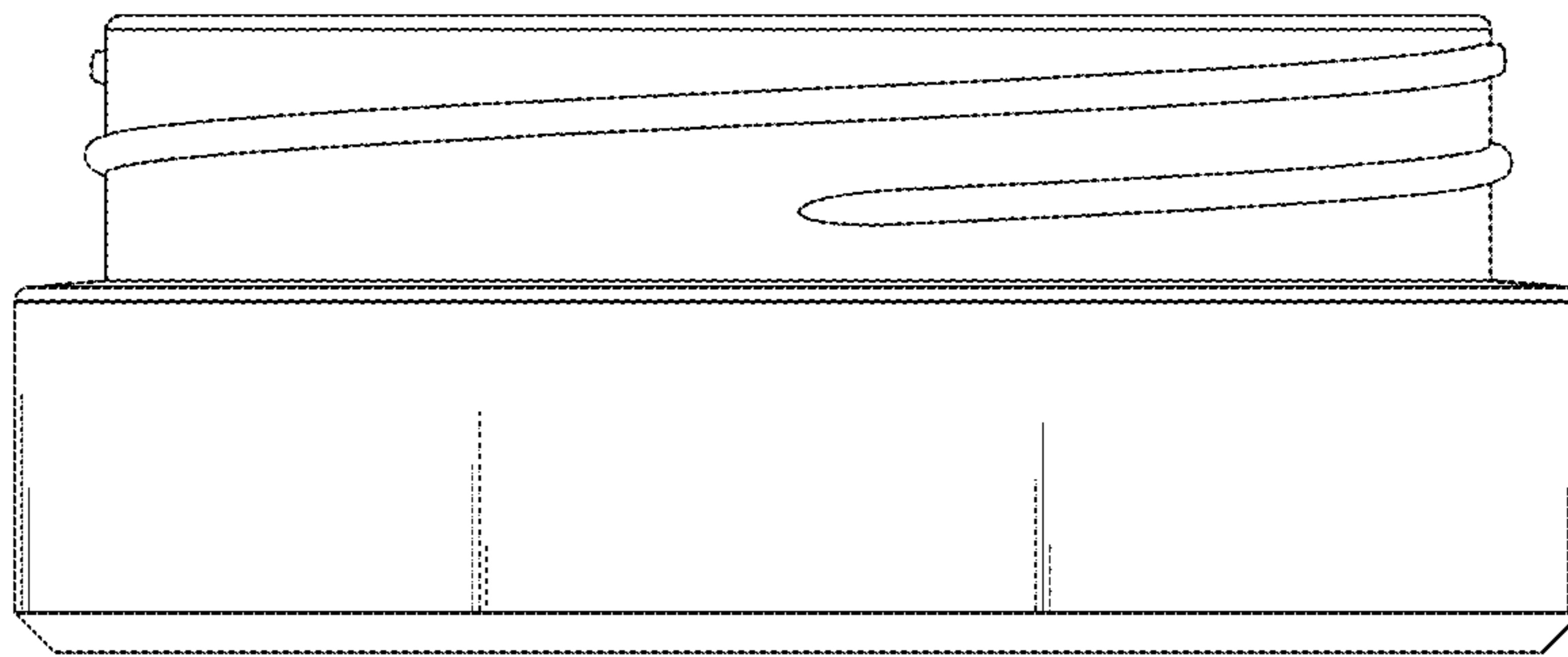


FIG. 4

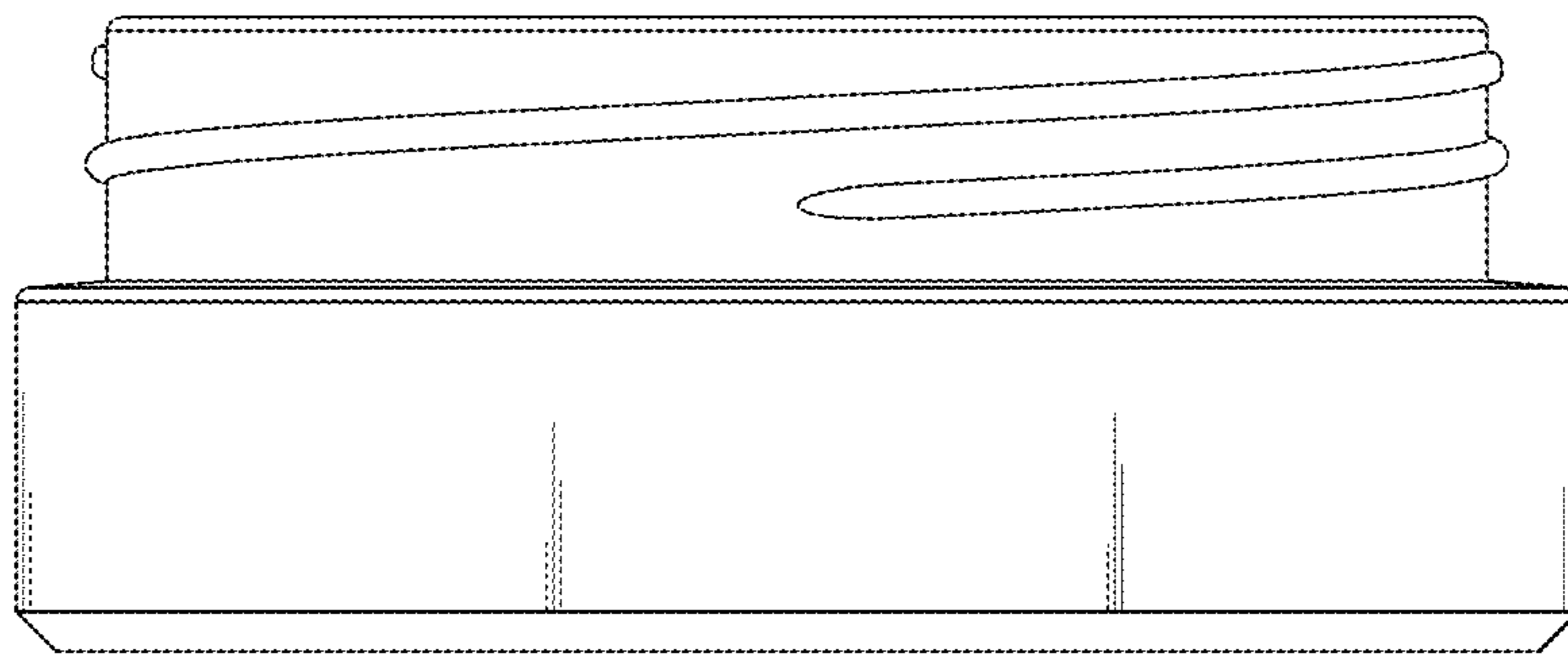


FIG. 5

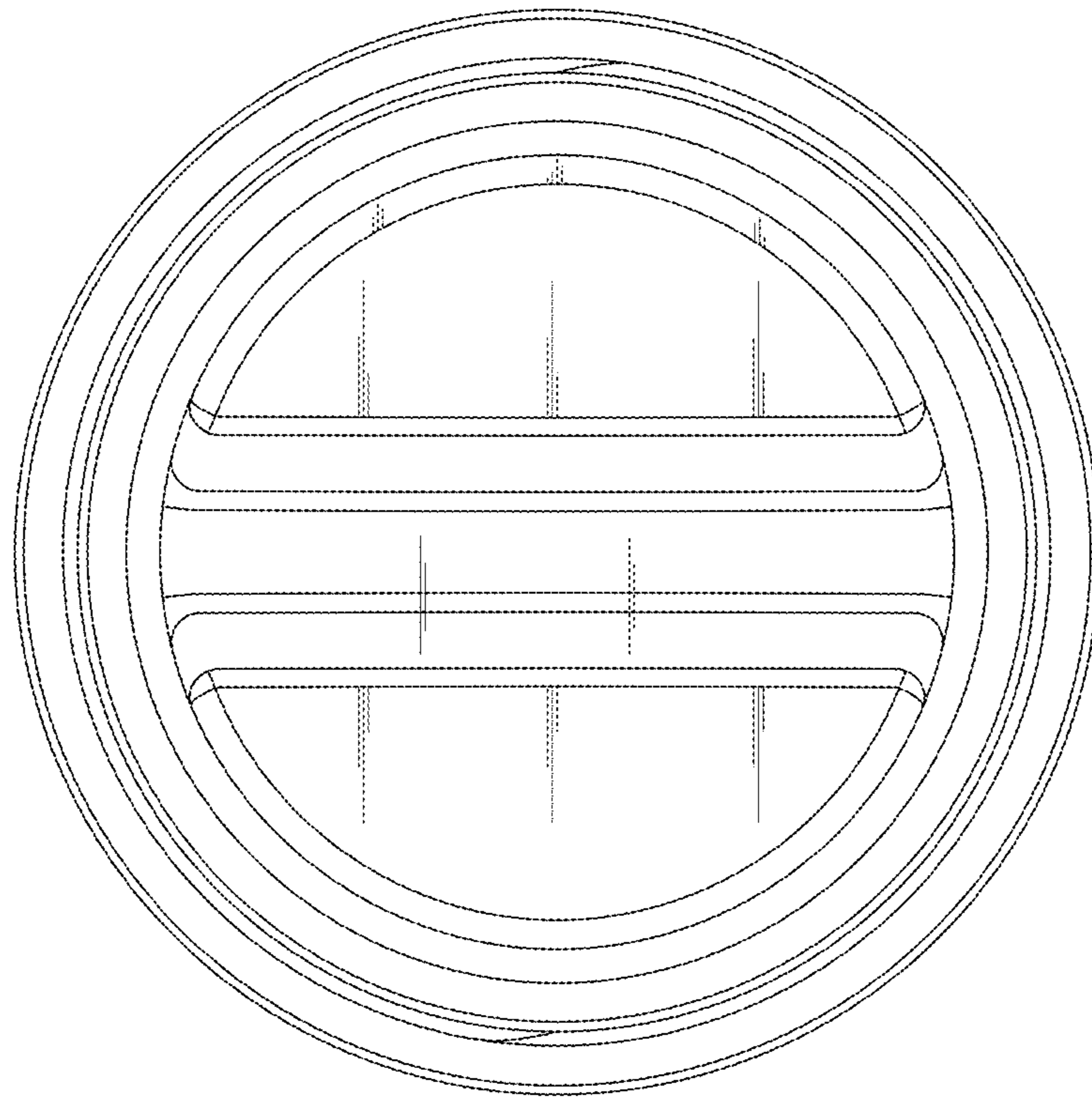


FIG. 6

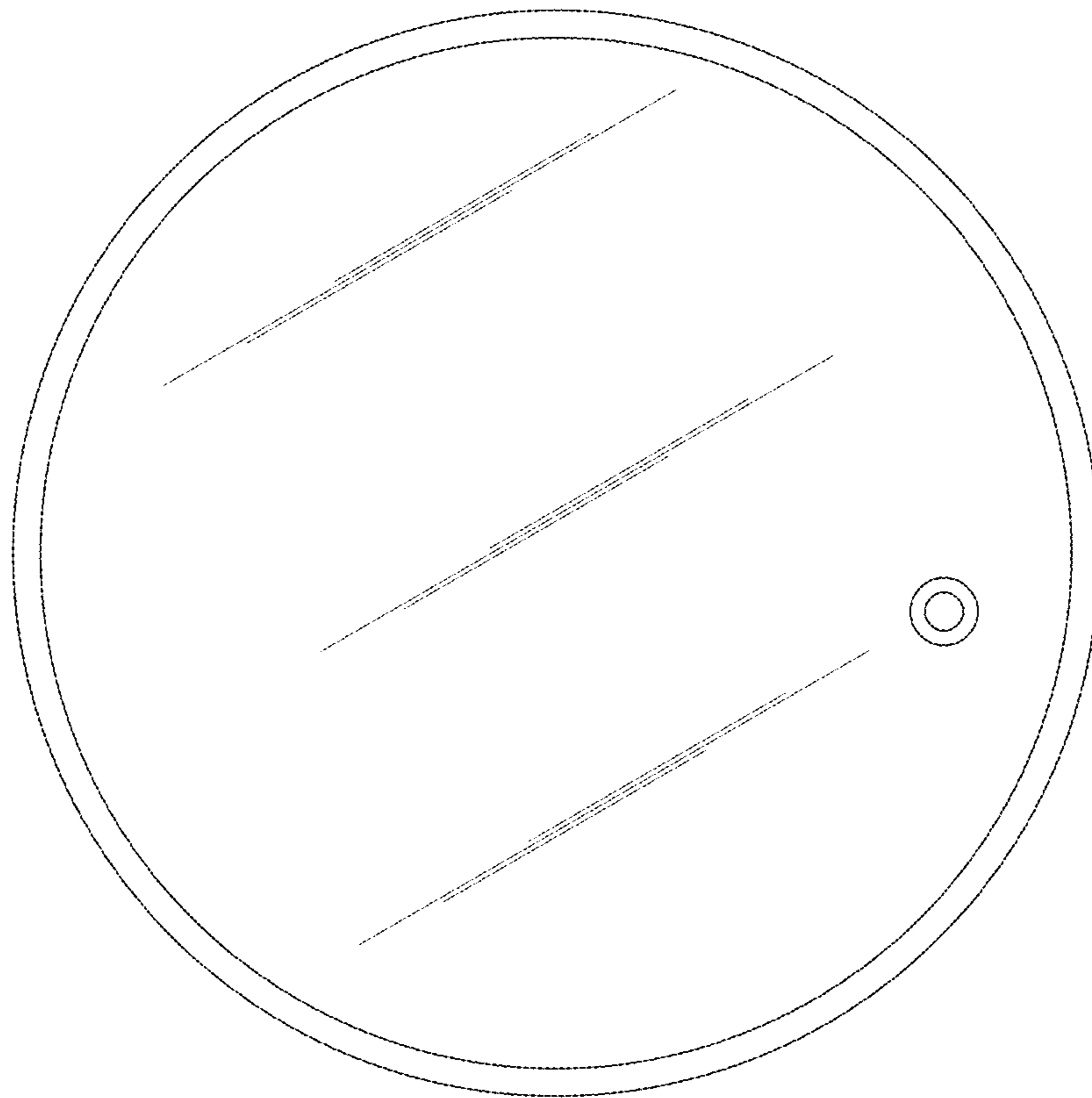


FIG. 7