



US00D795704S

(12) **United States Design Patent**  
**Tanus et al.**

(10) **Patent No.:** **US D795,704 S**

(45) **Date of Patent:** **\*\* Aug. 29, 2017**

(54) **PACKAGING FOR SANITARY WARE**

5,441,152 A \* 8/1995 Estes ..... B25H 3/006  
206/349

(71) Applicant: **Mountainside Investment Group, LLC, Weslaco, TX (US)**

5,449,071 A \* 9/1995 Levy ..... A61B 10/0096  
206/370

(72) Inventors: **Abraham Tanus, Weslaco, TX (US); Jose Daniel Alanis Garza, Weslaco, TX (US); John Clayton Evans, Weslaco, TX (US); Edgar David Arellano-Robles, Weslaco, TX (US); Jorge Alberto Algraves-Yarza, Weslaco, TX (US); Sarah Tanus, Weslaco, TX (US)**

D369,469 S \* 5/1996 Gregory ..... D3/313  
D383,606 S \* 9/1997 Bourbonnais ..... D3/273  
D393,591 S \* 4/1998 Baryshyan ..... D9/753  
D596,030 S \* 7/2009 Liipola ..... D9/456  
D634,541 S \* 3/2011 Gutierrez ..... D3/313  
D660,723 S \* 5/2012 Akana ..... D9/424  
D661,188 S \* 6/2012 Fahy ..... D9/456  
D699,035 S \* 2/2014 Hazen ..... D3/313

(Continued)

*Primary Examiner* — Vy Koenig

*Assistant Examiner* — Omeed Agilee

(73) Assignee: **Mountainside Investment Group, LLC, Weslaco, TX (US)**

(74) *Attorney, Agent, or Firm* — McGuireWoods, LLP

(\*\*) Term: **15 Years**

(57) **CLAIM**

(21) Appl. No.: **29/565,503**

We claim the ornamental design for packaging for sanitary ware, as shown and described.

(22) Filed: **May 20, 2016**

(51) **LOC (10) Cl.** ..... **09-03**

(52) **U.S. Cl.**

USPC ..... **D9/737; D9/456**

(58) **Field of Classification Search**

USPC ..... D9/414–434, 442–445, 456, 457, 542,  
D9/563, 707, 708, 711, 754, 759,  
D9/772–776; D3/273, 276, 304, 305,  
D3/307, 309–313; D7/601, 602, 709;  
D19/75, 90

CPC ..... B65D 5/00; B65D 5/001; B65D 5/0015;  
B65D 5/0227–5/0254; B65D 5/18; B65D  
5/6605; B65D 1/34; B65D 1/36; B65D  
43/162; B65D 2543/00101; B65D  
5/48024; B65D 5/5021; B65B 5/06

See application file for complete search history.

**DESCRIPTION**

FIG. 1 is a left, front, and top isometric view of packaging for sanitary ware;

FIG. 2 is a left side view thereof;

FIG. 3 is a right side view thereof;

FIG. 4 is a front view thereof;

FIG. 5 is a rear view thereof;

FIG. 6 is a top view thereof;

FIG. 7 is a bottom view thereof; and,

FIG. 8 is an isometric view showing an unclaimed toilet received within a portion of the packaging for sanitary ware, the other portion having been removed for ease of illustration.

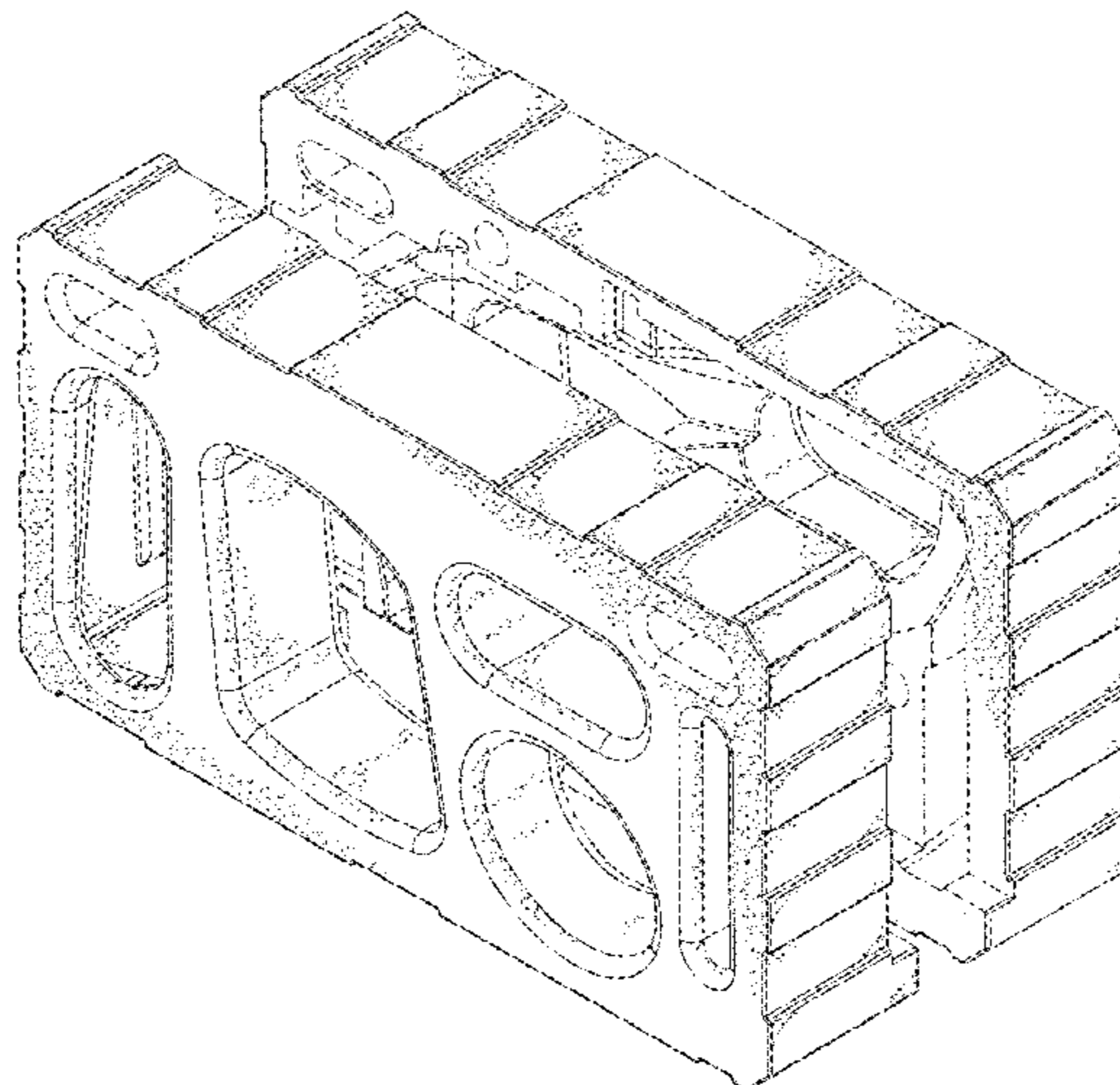
The broken lines shown in the figures depict portions of the packaging for sanitary ware that form no part of the claimed design. The additional broken lines in FIG. 8 illustrate environmental subject matter, specifically a toilet, that forms no part of the claimed design.

(56) **References Cited**

**U.S. PATENT DOCUMENTS**

D240,199 S \* 6/1976 Perfect ..... D9/456  
D280,290 S \* 8/1985 Bakus ..... D9/425

**1 Claim, 7 Drawing Sheets**



(56)

**References Cited**

U.S. PATENT DOCUMENTS

D723,920	S	*	3/2015	Wakeham	.....	D9/456
D748,498	S	*	2/2016	Pipes	.....	D9/424
D749,417	S	*	2/2016	Bate	.....	D9/456
D768,008	S	*	10/2016	Akana	.....	D9/721
D772,068	S	*	11/2016	Zheng	.....	D9/414

\* cited by examiner

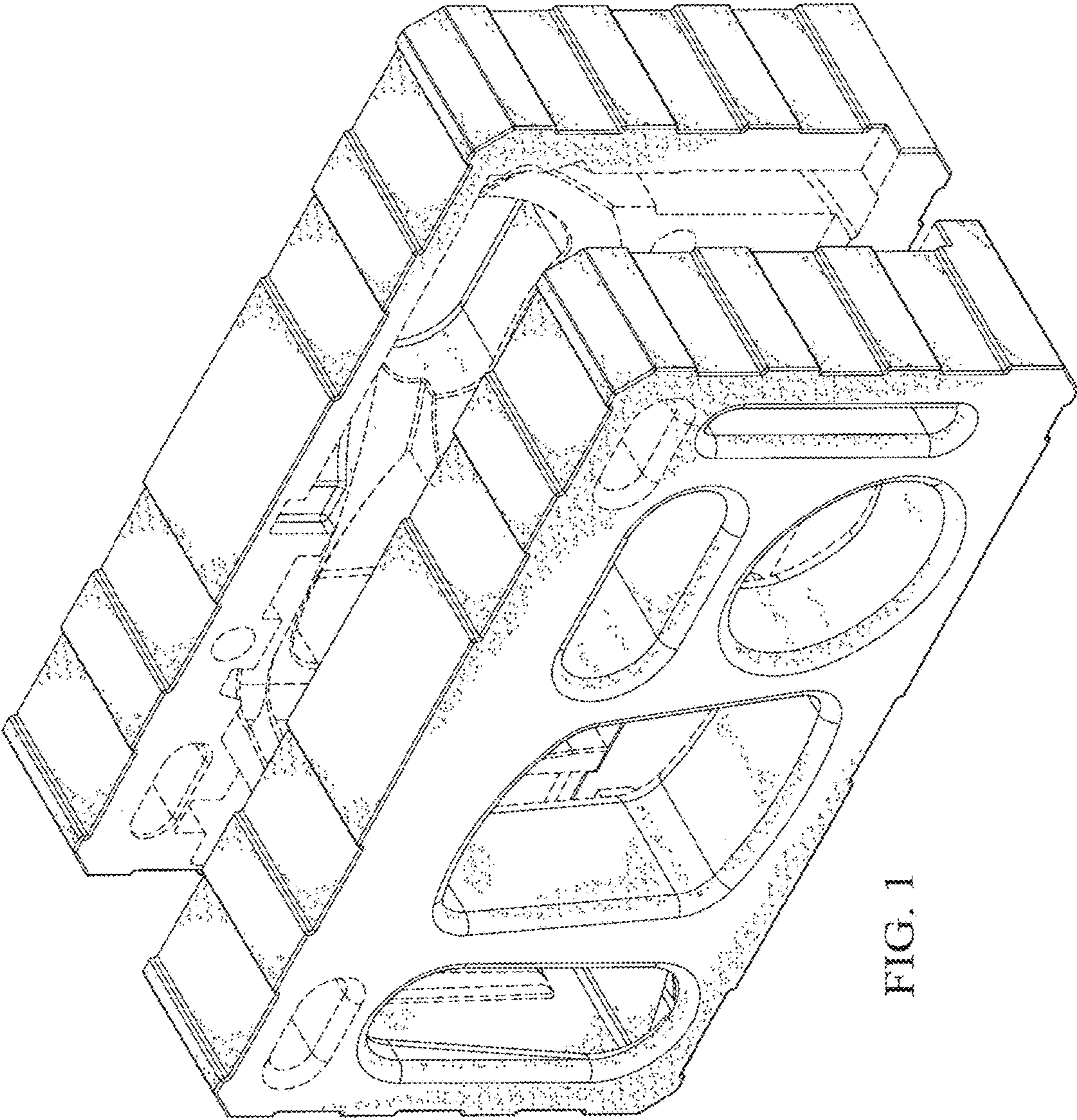


FIG. 1

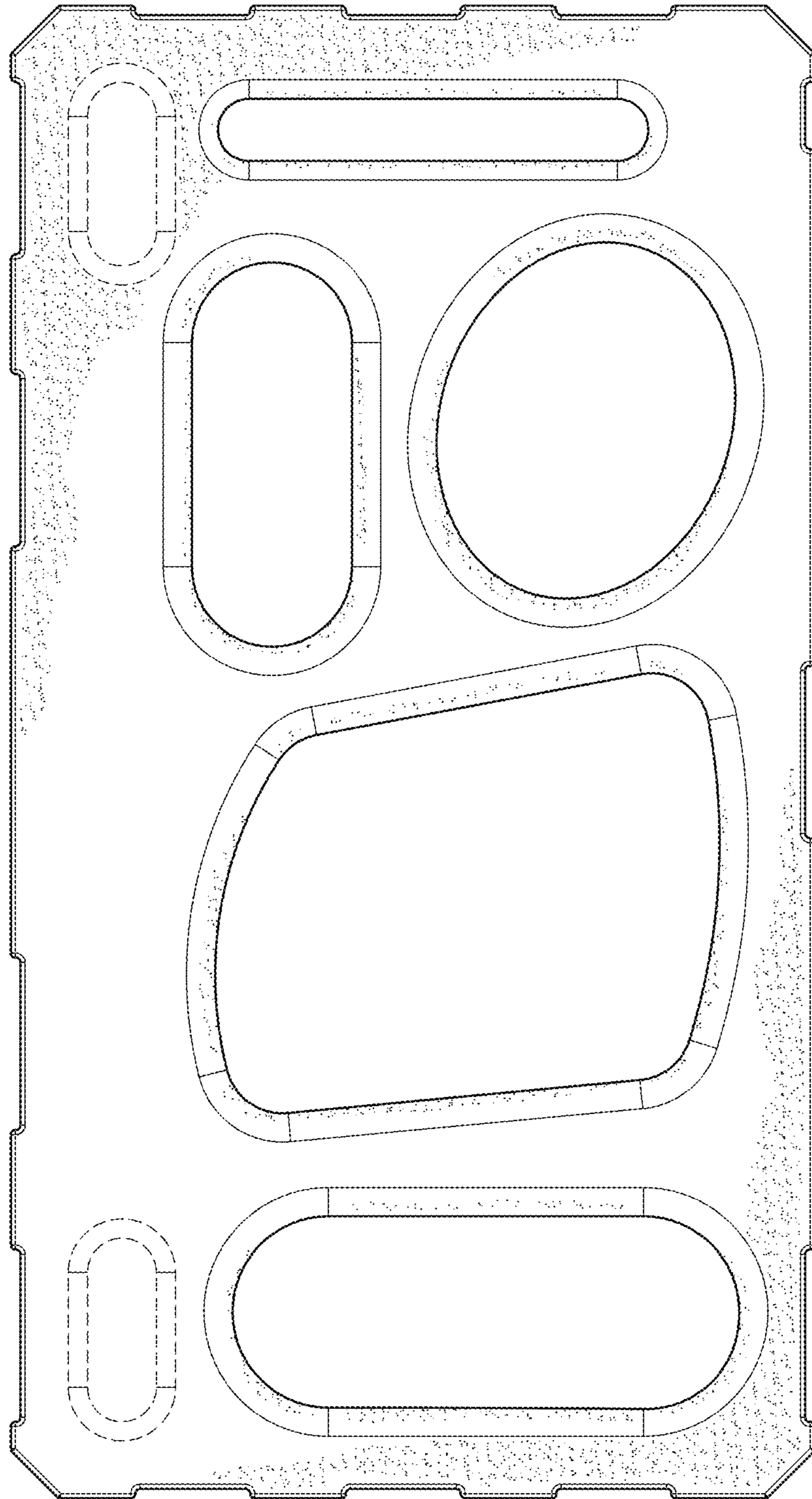


FIG. 2

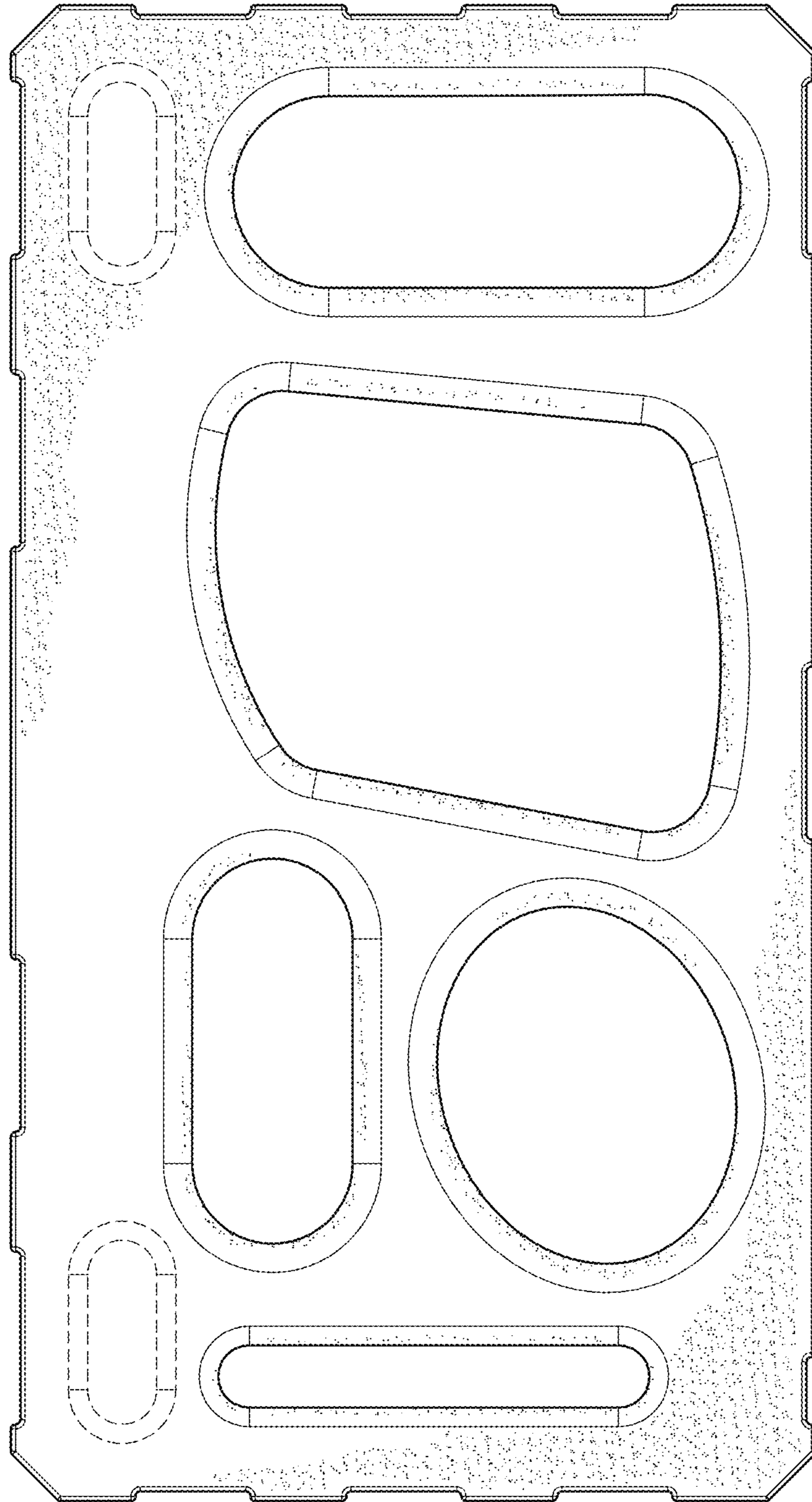


FIG. 3

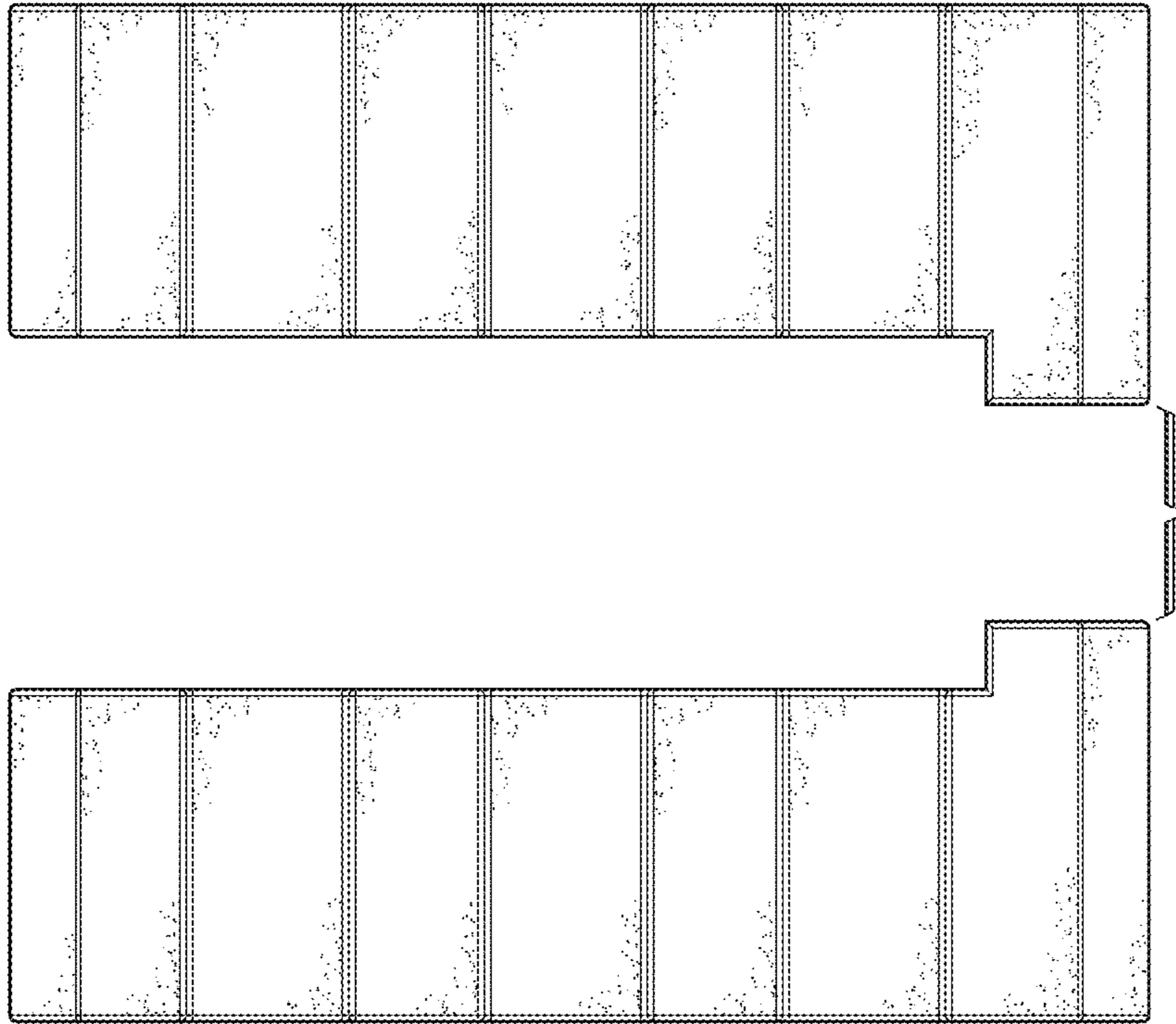


FIG. 5

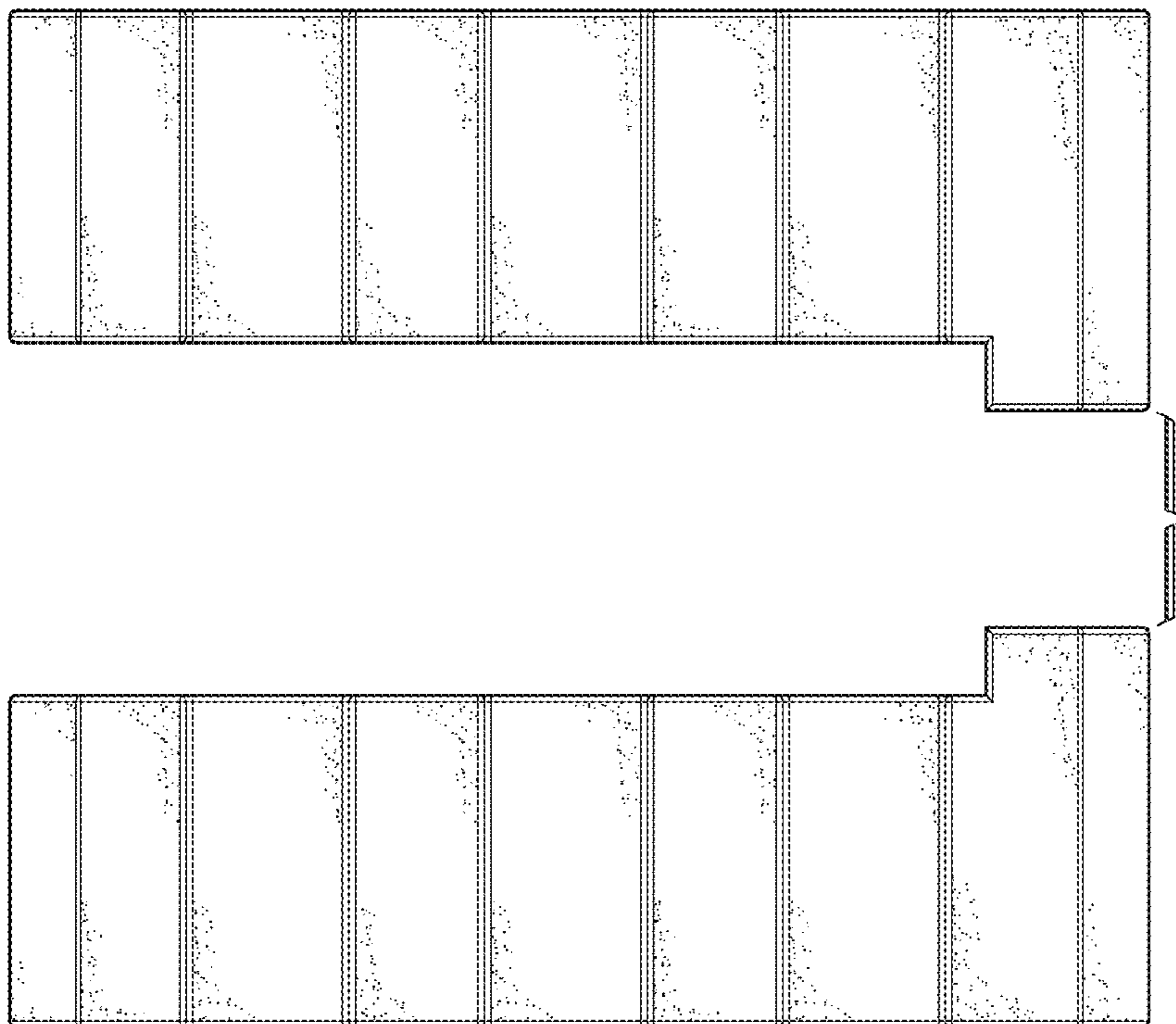


FIG. 4

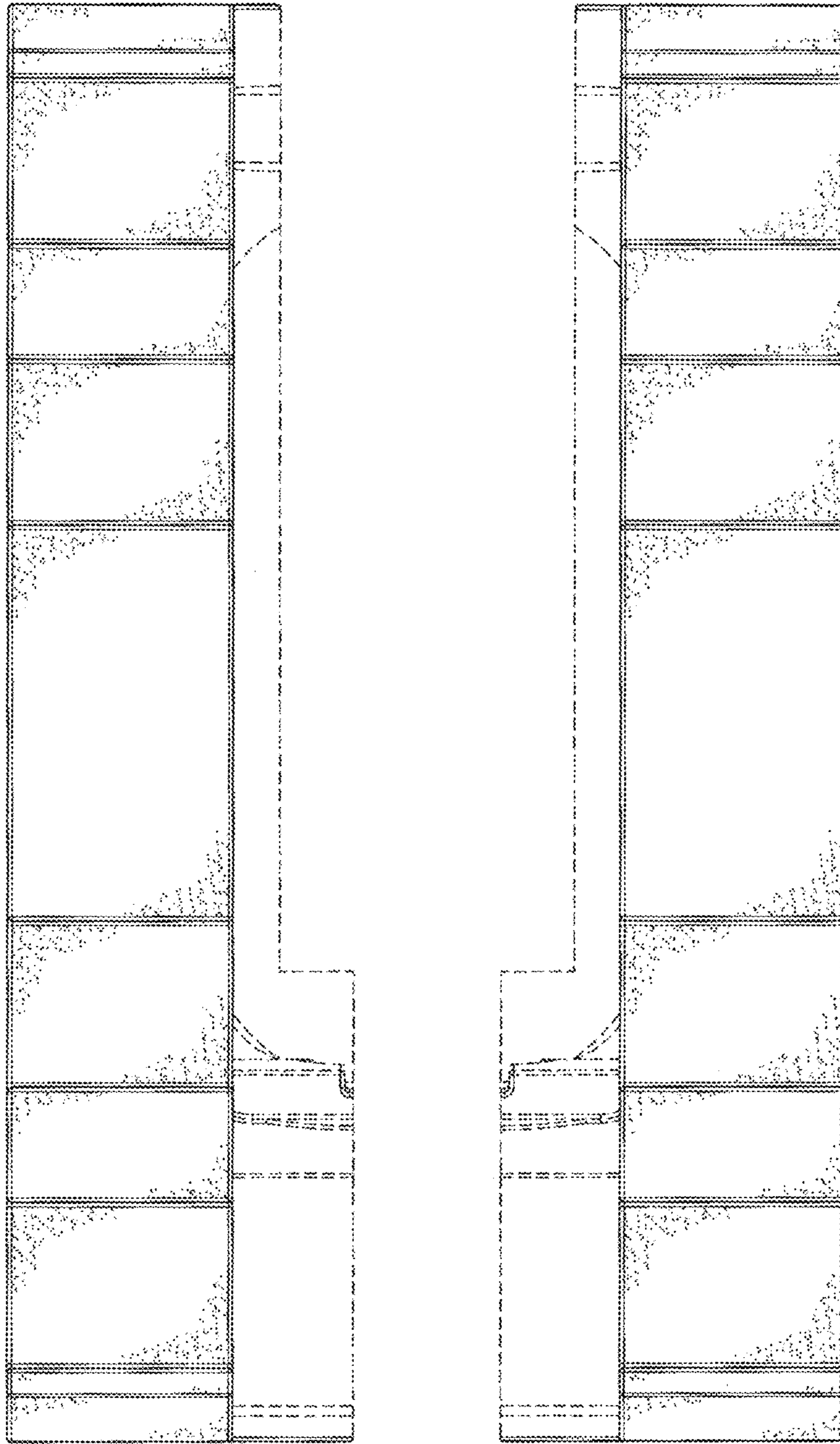


FIG. 6

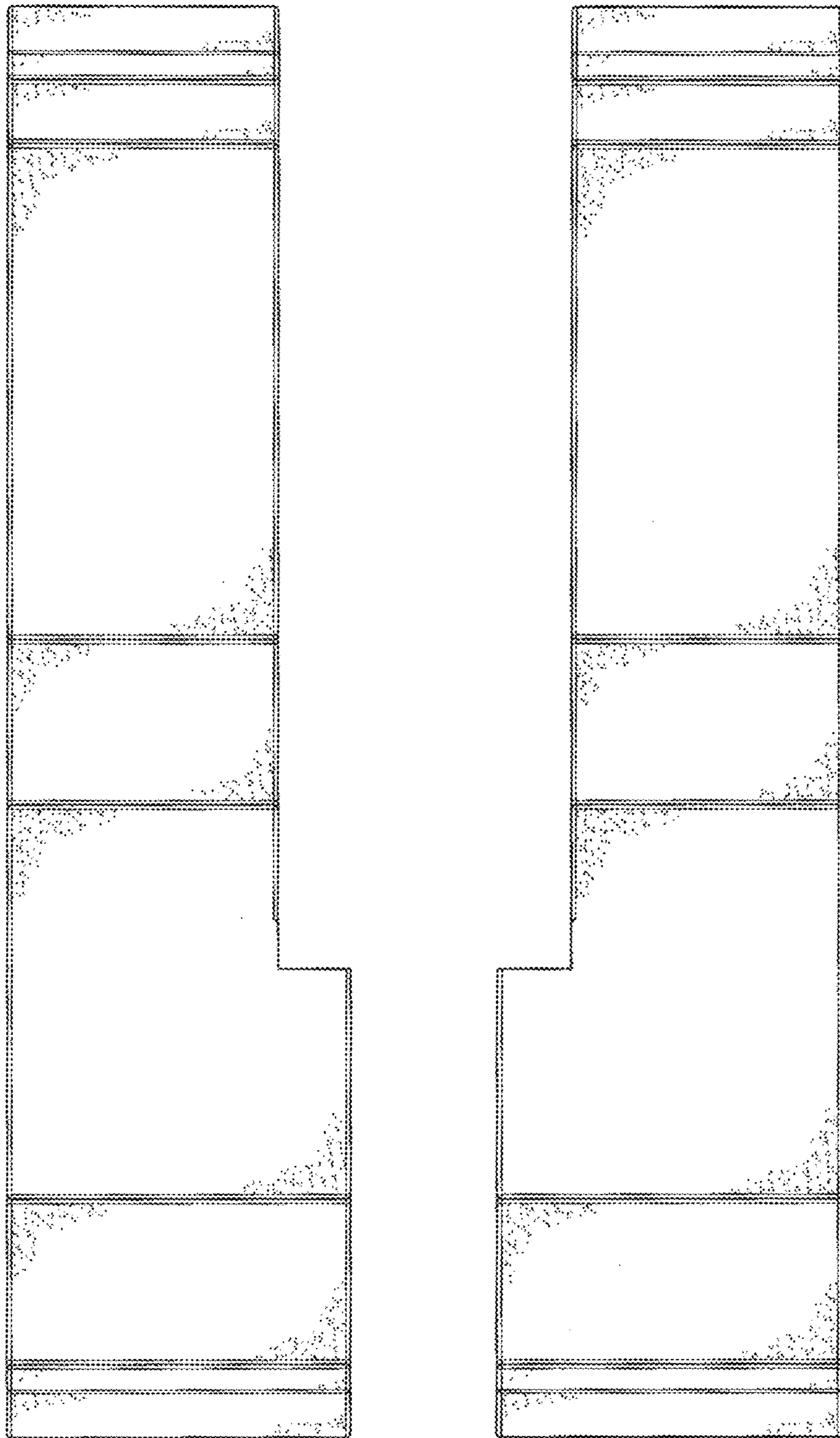


FIG. 7



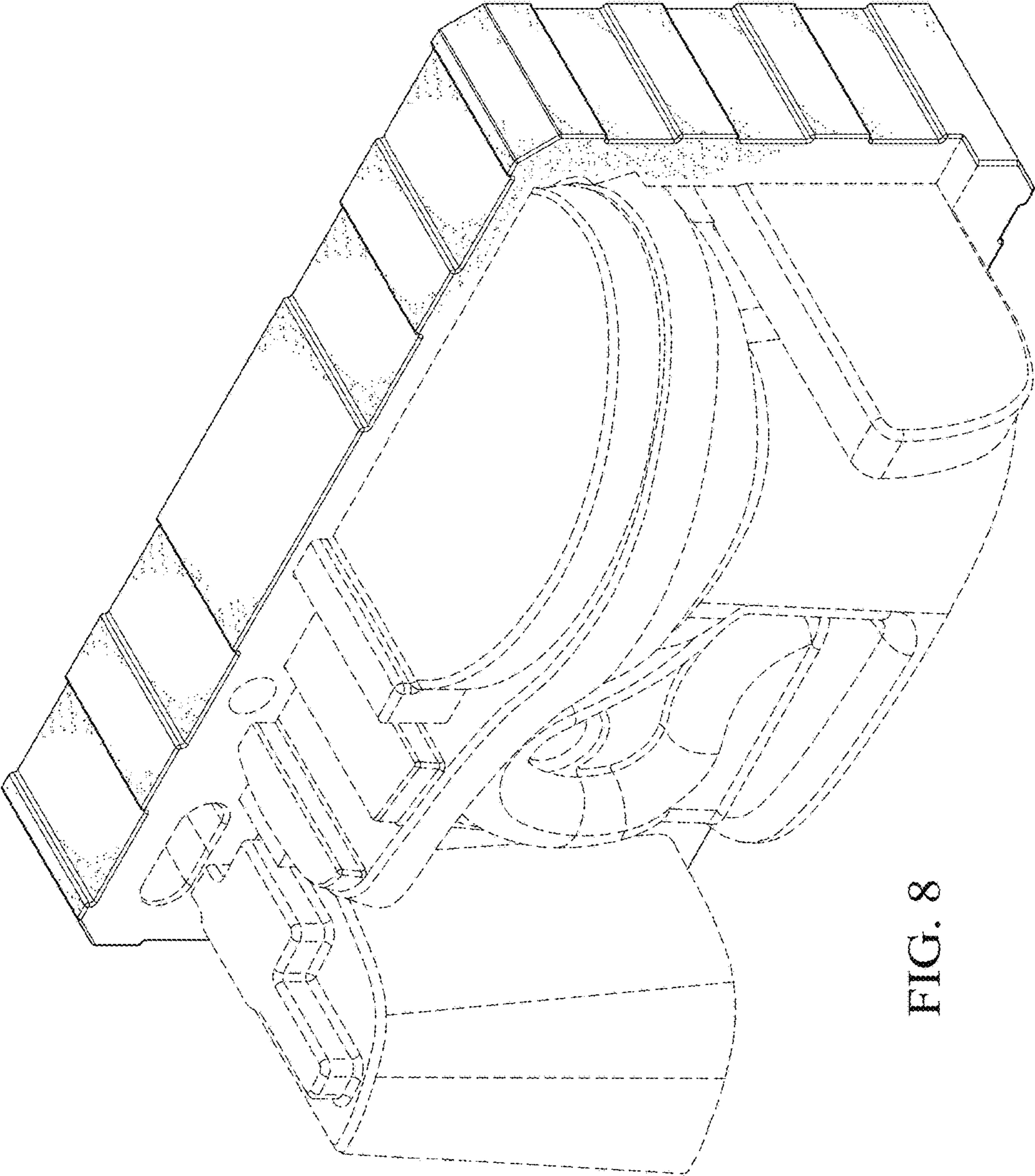


FIG. 8