



US00D795698S

(12) **United States Design Patent**
Perdue et al.

(10) **Patent No.:** **US D795,698 S**

(45) **Date of Patent:** **** Aug. 29, 2017**

(54) **CONTAINER FOR STORAGE**

(71) Applicant: **CSP Technologies, Inc.**, Auburn, AL (US)

(72) Inventors: **Ethan Ross Perdue**, Auburn, AL (US); **Ronald Supranowicz**, Lenox, MA (US); **Franklin Lee Lucas, Jr.**, Opelika, AL (US); **Michael Bucholtz**, Balston Spa, NY (US); **Brian Tift**, Auburn, AL (US); **William Abrams**, Auburn, AL (US)

(**) Term: **15 Years**

(21) Appl. No.: **29/570,629**

(22) Filed: **Jul. 11, 2016**

(51) **LOC (10) Cl.** **09-01**

(52) **U.S. Cl.**
USPC **D9/503**; D9/575; D24/224

(58) **Field of Classification Search**
USPC D9/414, 416, 420, 423, 428, 434-435, D9/443, 449, 454, 500, 503, 549, 558, D9/575, 715; D3/203.2, 294; D24/224
CPC A61B 10/0096; B01L 3/00; B01L 3/14; B01L 3/50; B01L 3/508; B65D 1/00; B65D 1/10; B65D 23/00; B65D 81/00; B65D 2215/00; B65D 2251/00; B65D 2251/10; B65D 2251/1016; B65D 2251/1025; B65D 2251/1033; B65D 2251/105; B65D 2251/1058; B65D 2501/00
See application file for complete search history.

(56) **References Cited**

U.S. PATENT DOCUMENTS

3,017,049 A * 1/1962 Powell B65D 50/061
215/206
4,809,874 A * 3/1989 Pehr B65D 43/164
215/235

D306,408 S * 3/1990 Umbeck D9/428
D336,039 S * 6/1993 Tanaka D9/428
D414,698 S 10/1999 Mogard et al.
D427,427 S * 7/2000 Davis D3/203.5
6,398,067 B1 6/2002 Belfance et al.
D491,275 S * 6/2004 Walters D24/216
D598,738 S * 8/2009 Supranowicz D9/420
D608,011 S 1/2010 Giraud et al.
D621,951 S 8/2010 Bucholtz et al.
D631,168 S 1/2011 Bucholtz et al.
D644,336 S 8/2011 Belfance et al.
D644,337 S 8/2011 Belfance et al.
D644,739 S 9/2011 Belfance et al.
D644,740 S 9/2011 John et al.
D647,211 S 10/2011 Belfance et al.
D649,658 S 11/2011 Belfance et al.
D649,659 S 11/2011 Belfance et al.
D677,396 S 3/2013 Belfance et al.
D677,397 S 3/2013 Belfance et al.
D677,398 S 3/2013 Belfance et al.
D677,399 S 3/2013 Belfance et al.

(Continued)

Primary Examiner — Dana L Meyrow

(74) *Attorney, Agent, or Firm* — David B. Gornish

(57) **CLAIM**

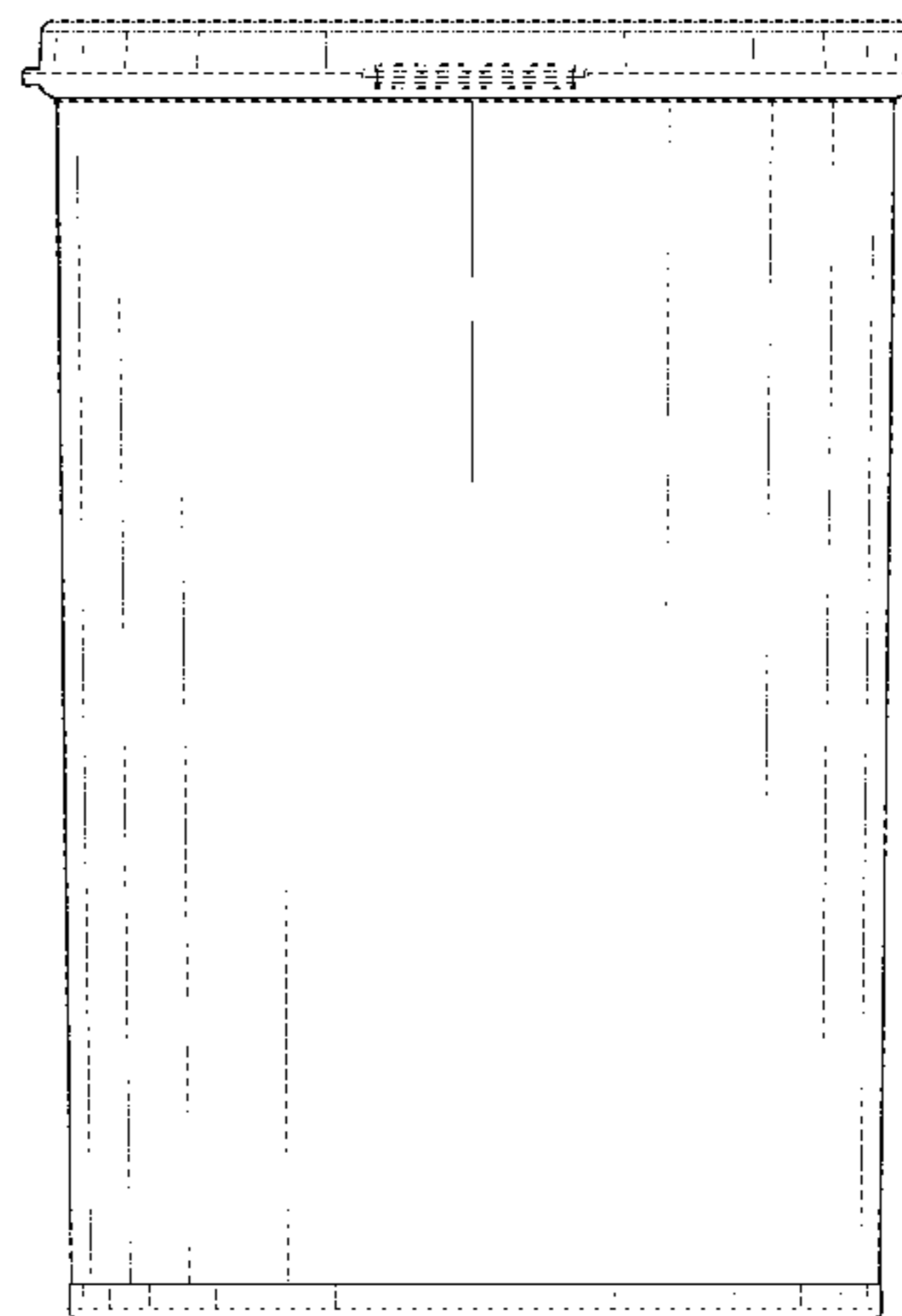
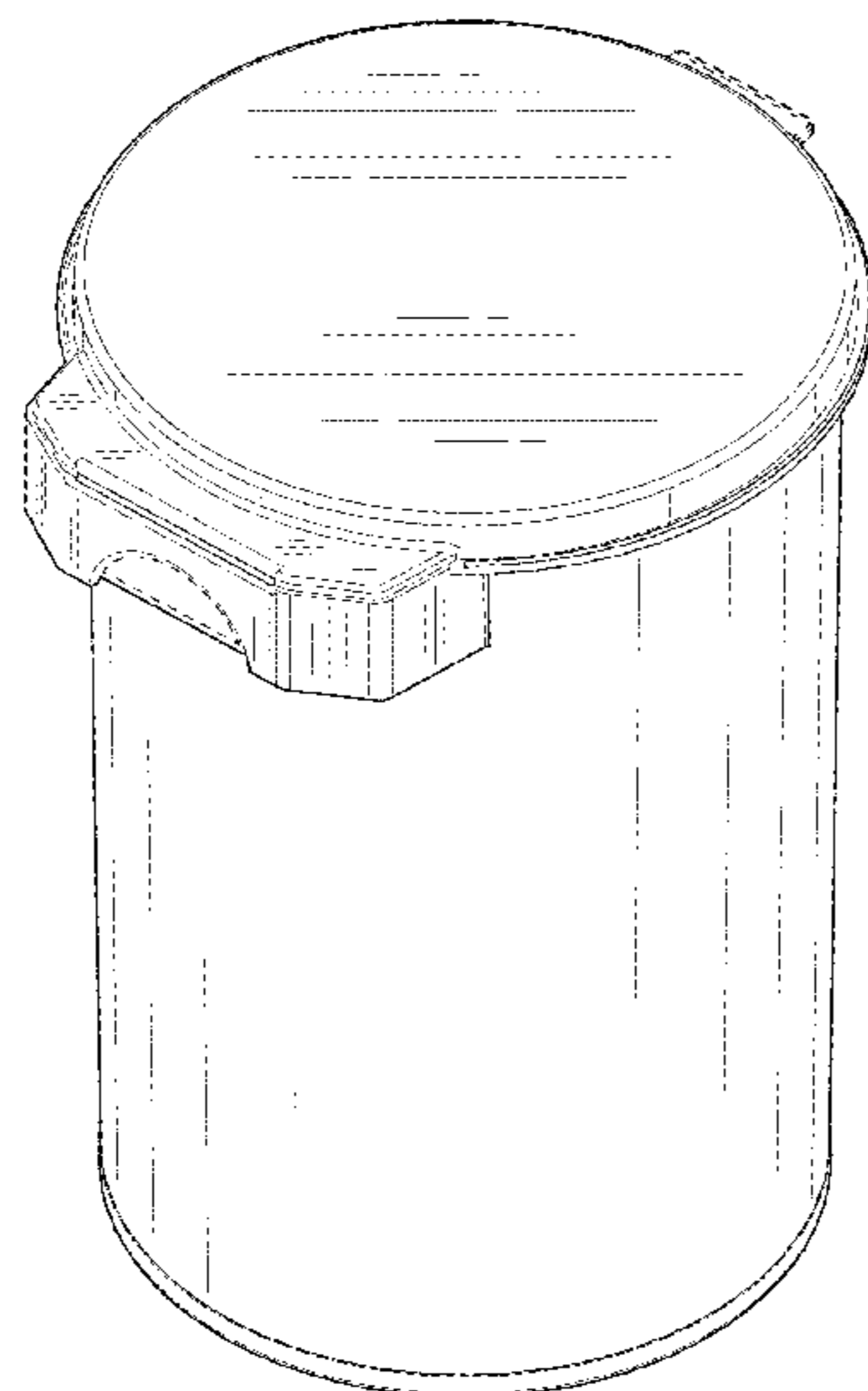
The ornamental design for a container for storage, as shown and described.

DESCRIPTION

FIG. 1 is an isometric view of a container for storage showing our new design;
FIG. 2 is a front elevation view thereof;
FIG. 3 is a rear elevation view thereof;
FIG. 4 is a left side elevation view thereof;
FIG. 5 is a right side elevation view thereof;
FIG. 6 is a top plan view thereof; and,
FIG. 7 is a bottom plan view thereof.

The features shown in broken lines in the drawings depict unclaimed subject matter only and form no part of the claimed design.

1 Claim, 7 Drawing Sheets



(56)

References Cited

U.S. PATENT DOCUMENTS

D679,583	S	4/2013	Wada et al.	
D679,584	S	4/2013	Wada et al.	
D689,361	S	9/2013	Wada et al.	
D690,585	S	10/2013	Wada et al.	
8,807,359	B2	8/2014	Giraud et al.	
8,919,546	B2	12/2014	Wada et al.	
D731,170	S *	6/2015	Priebe	D3/203.2
D732,684	S	6/2015	Ooi et al.	
D744,826	S	12/2015	Giraud et al.	
D752,970	S	4/2016	Giraud et al.	
2009/0095699	A1	4/2009	Milante	
2012/0211493	A1	8/2012	Daggett	
2015/0366755	A1 *	12/2015	Milante	A61J 1/1425 215/203
2016/0130045	A1 *	5/2016	Giraud	B65D 43/162 53/492

* cited by examiner

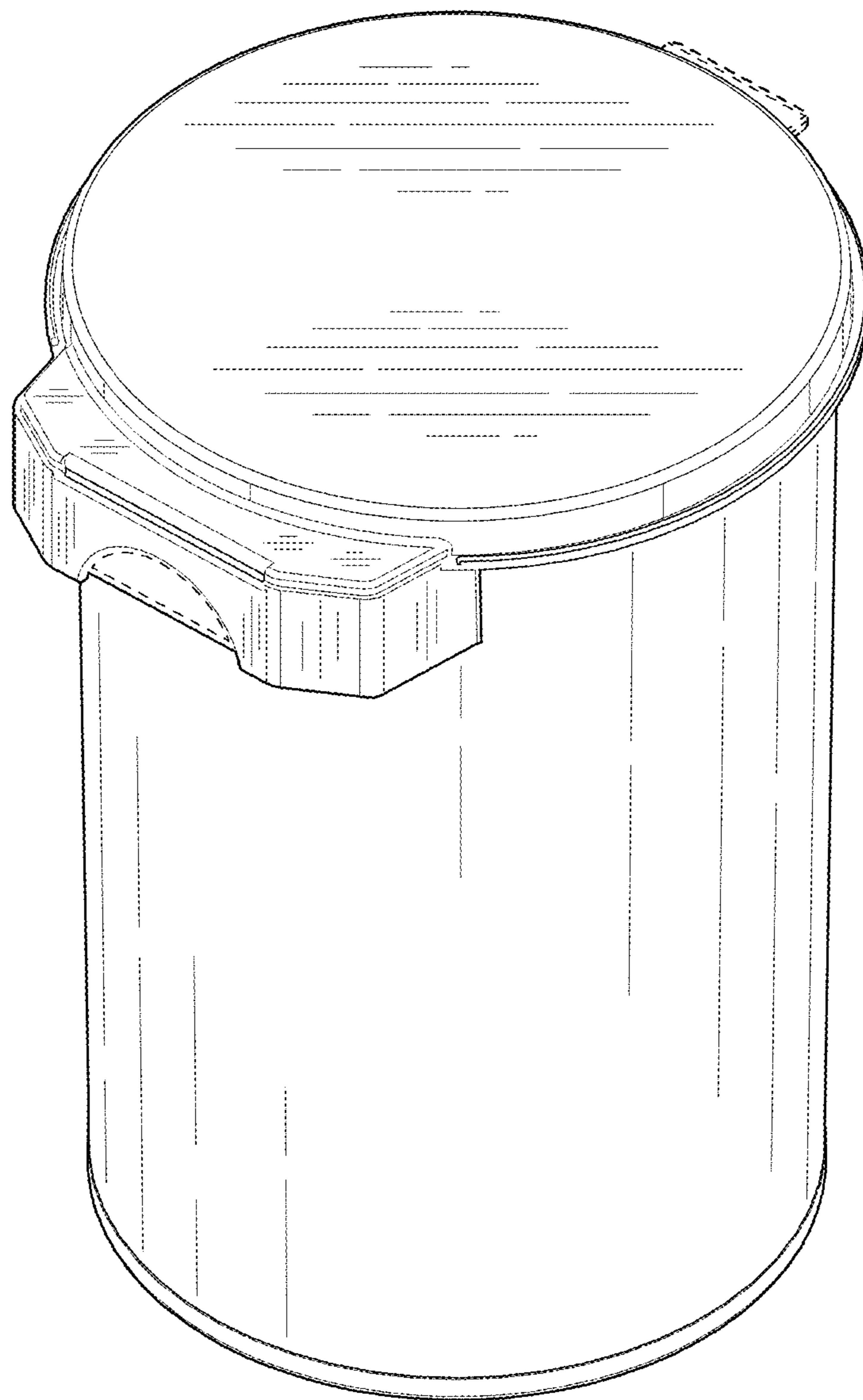


FIG. 1

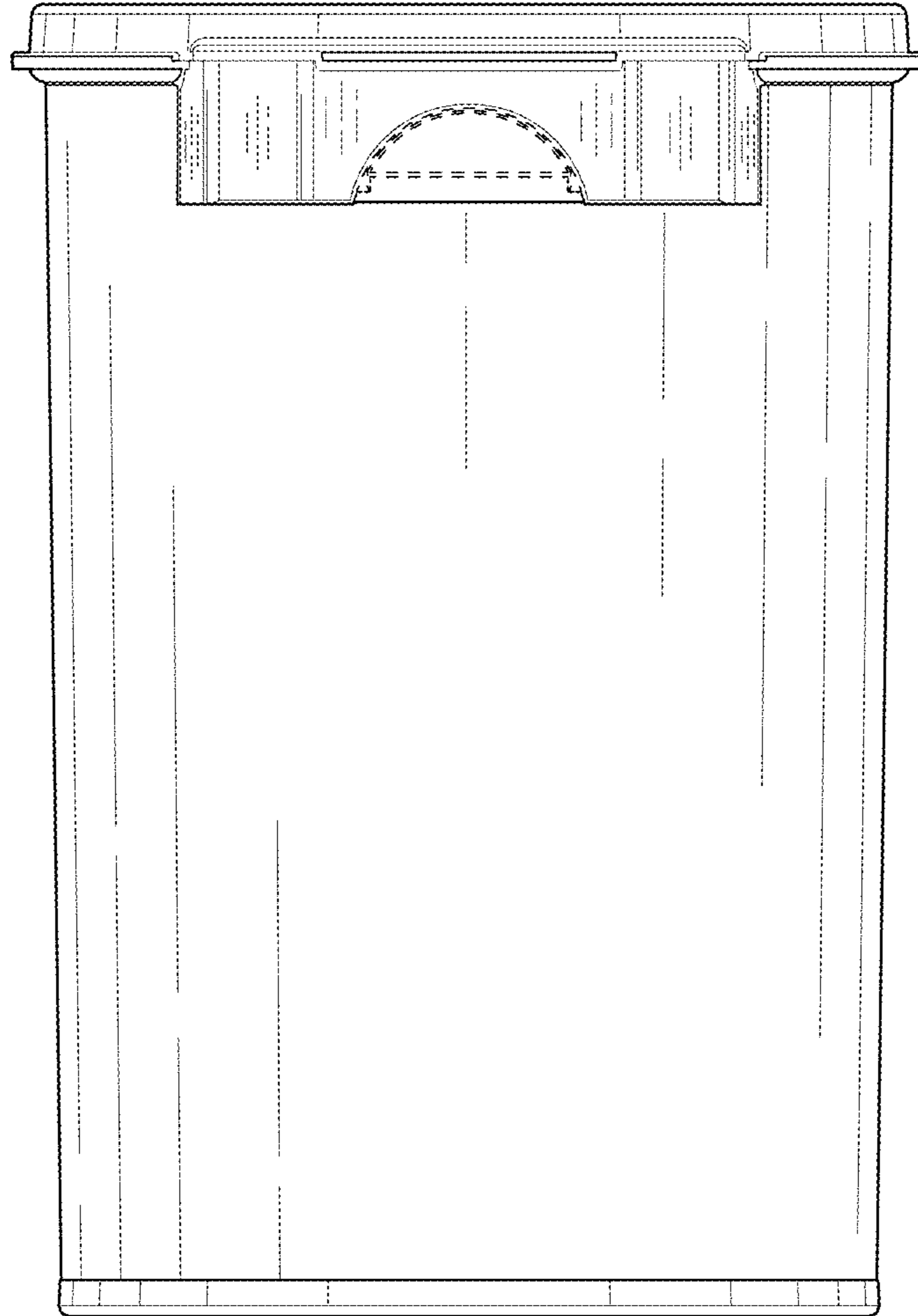


FIG. 2

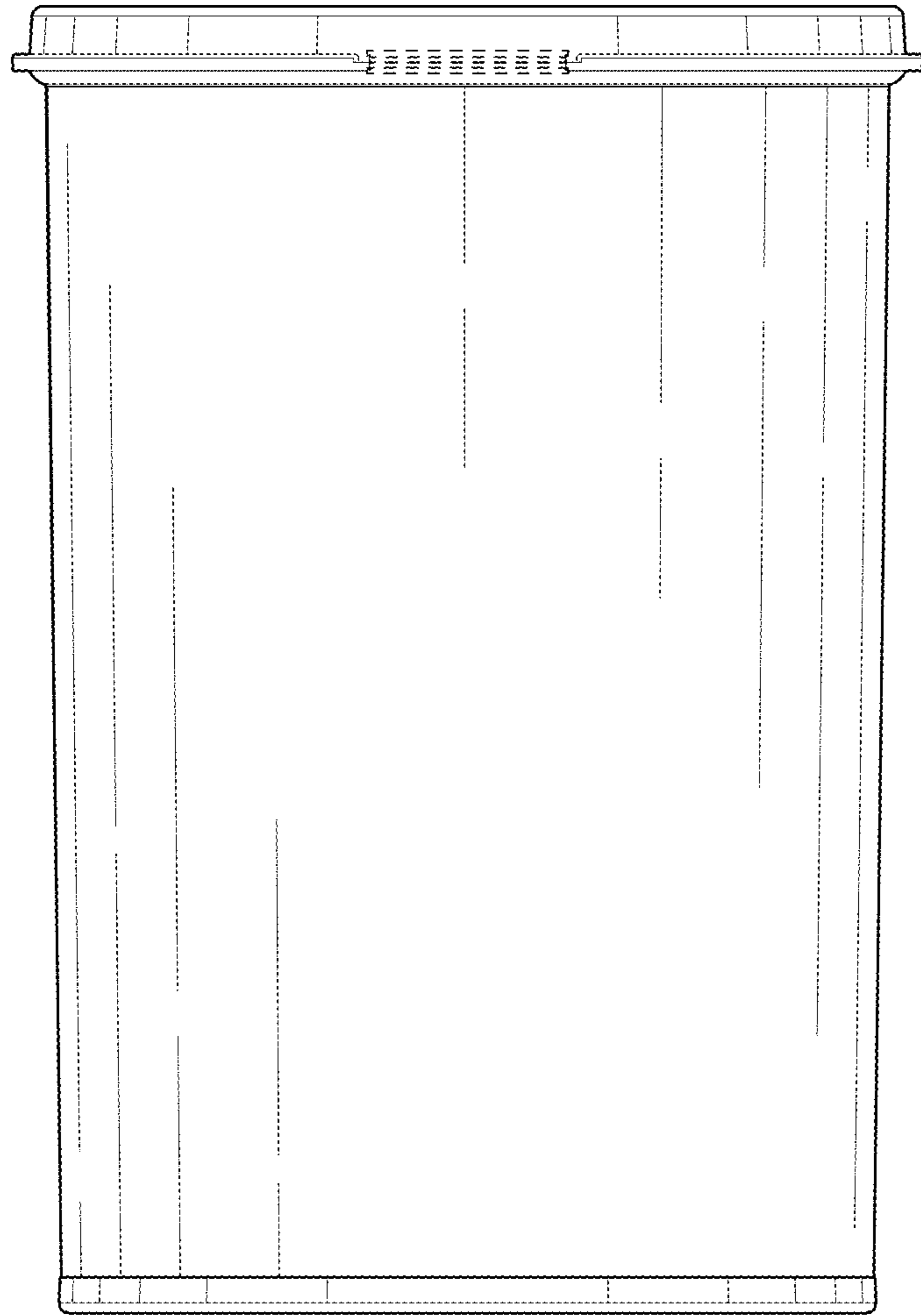


FIG. 3

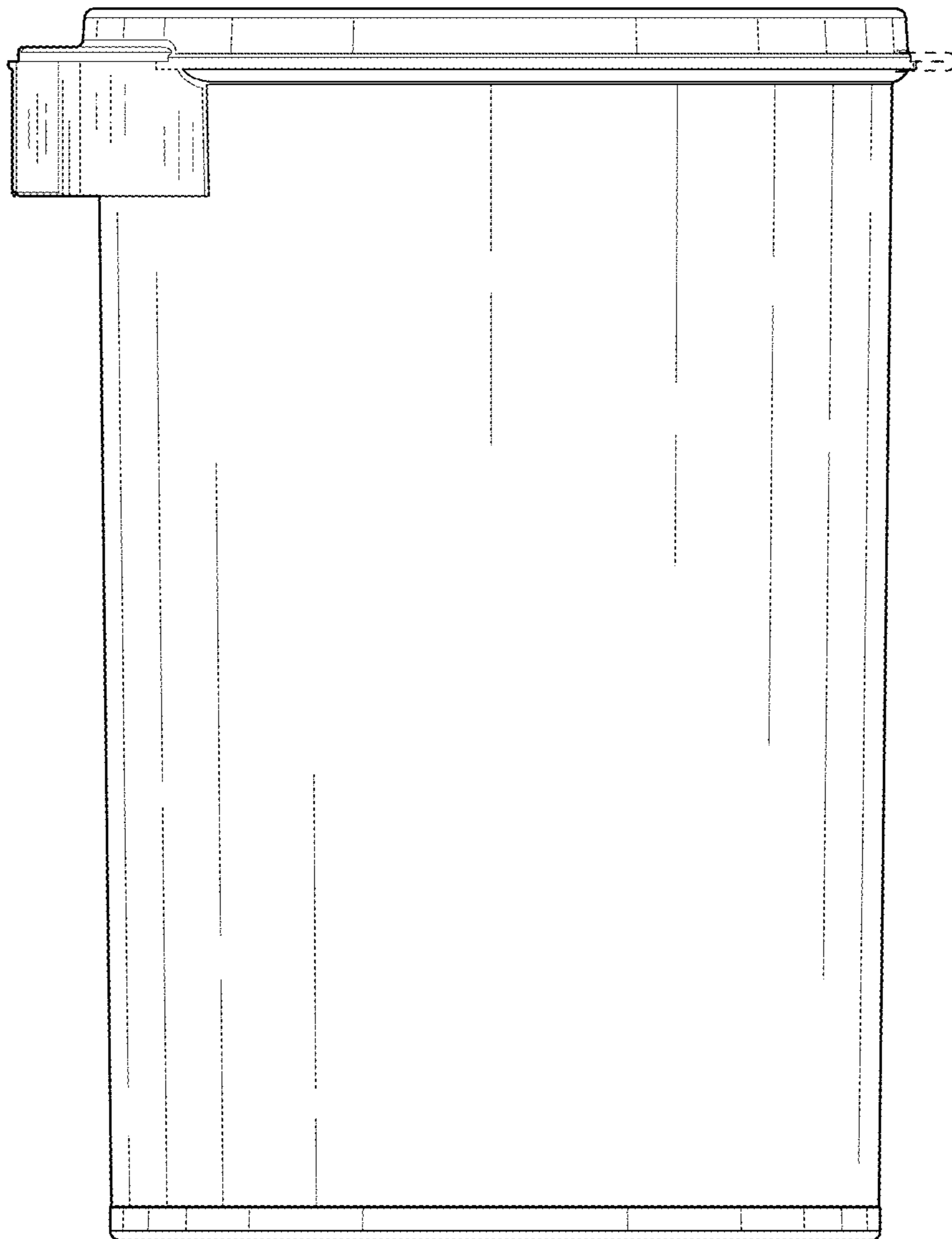


FIG. 4

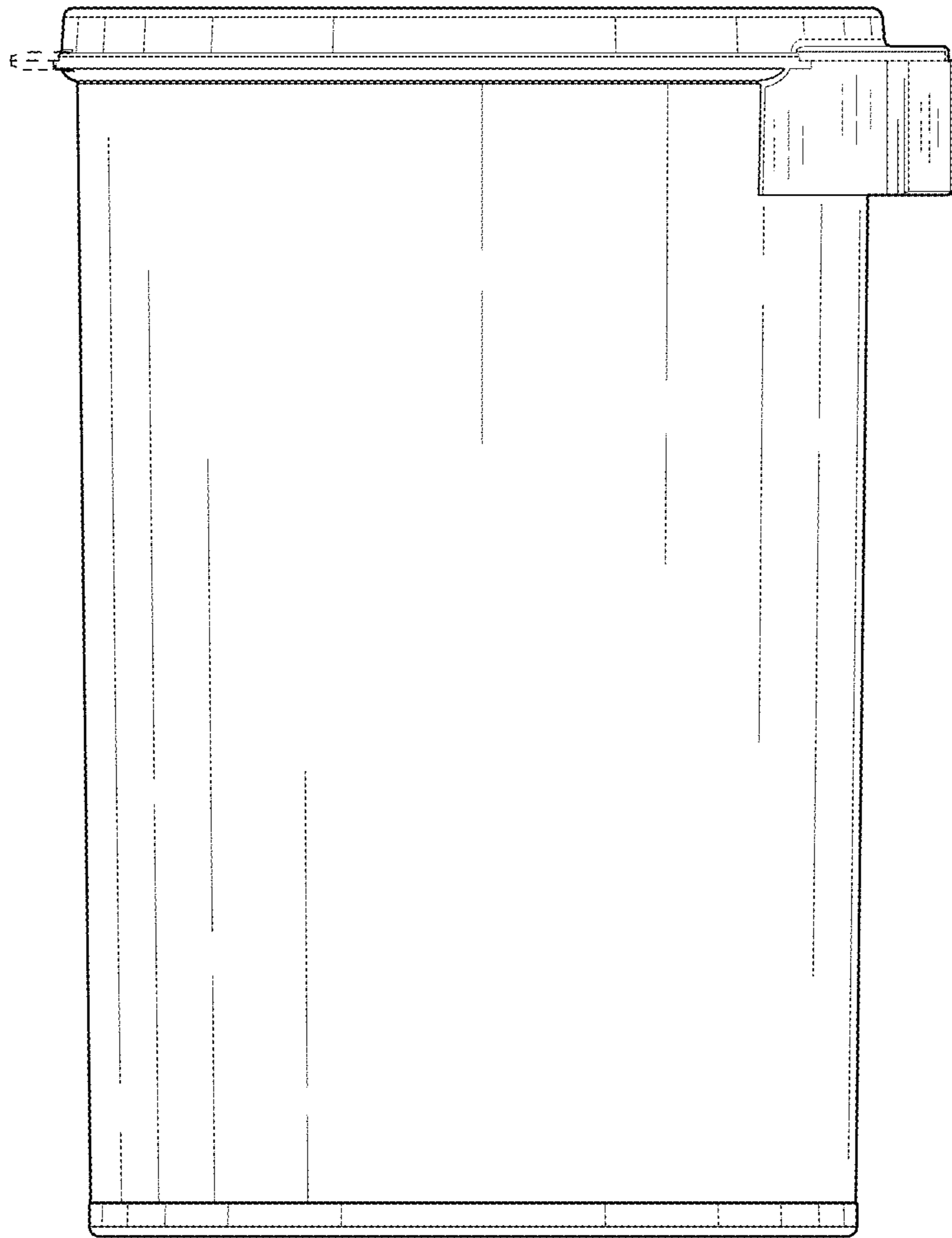


FIG. 5

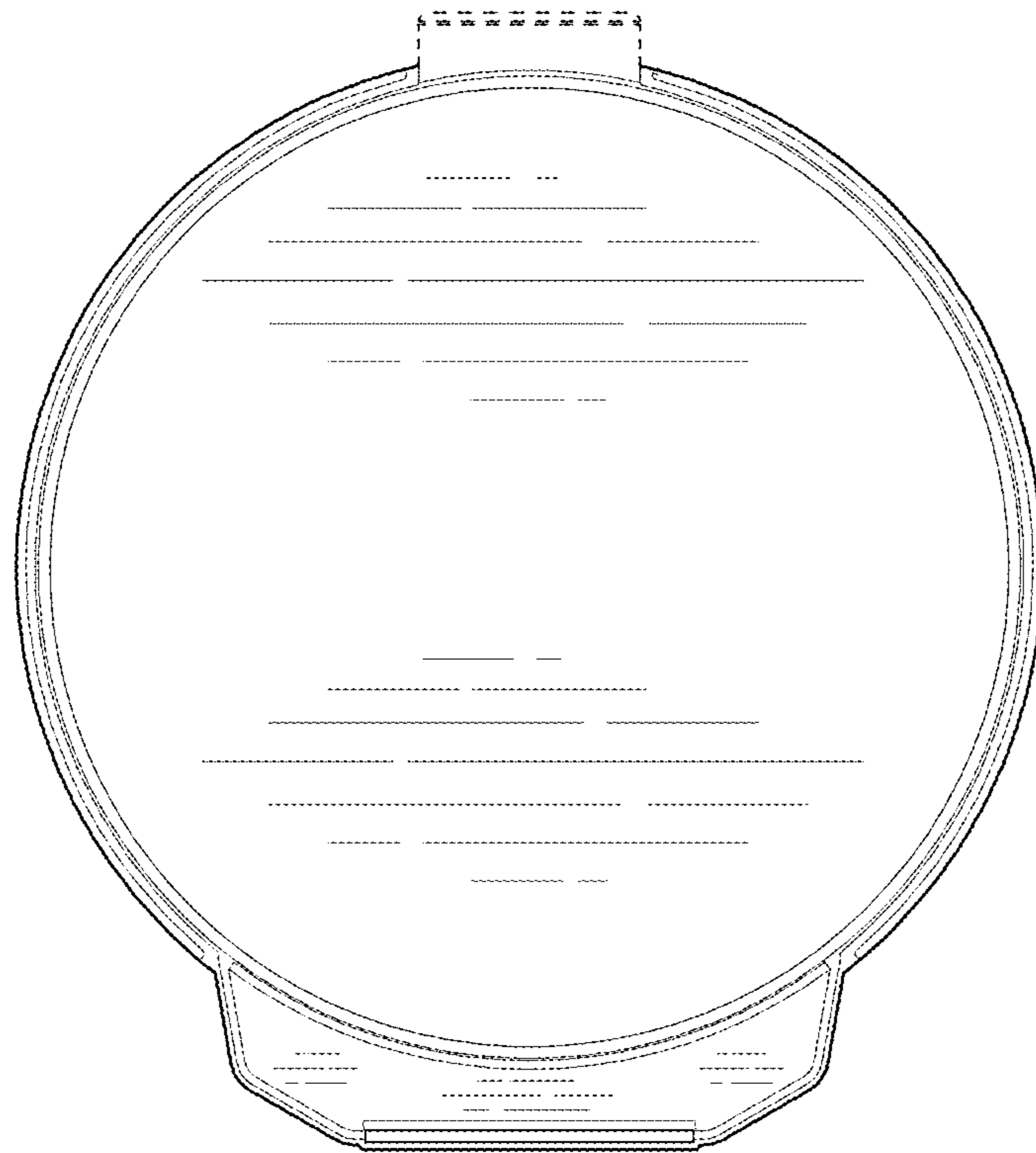


FIG. 6

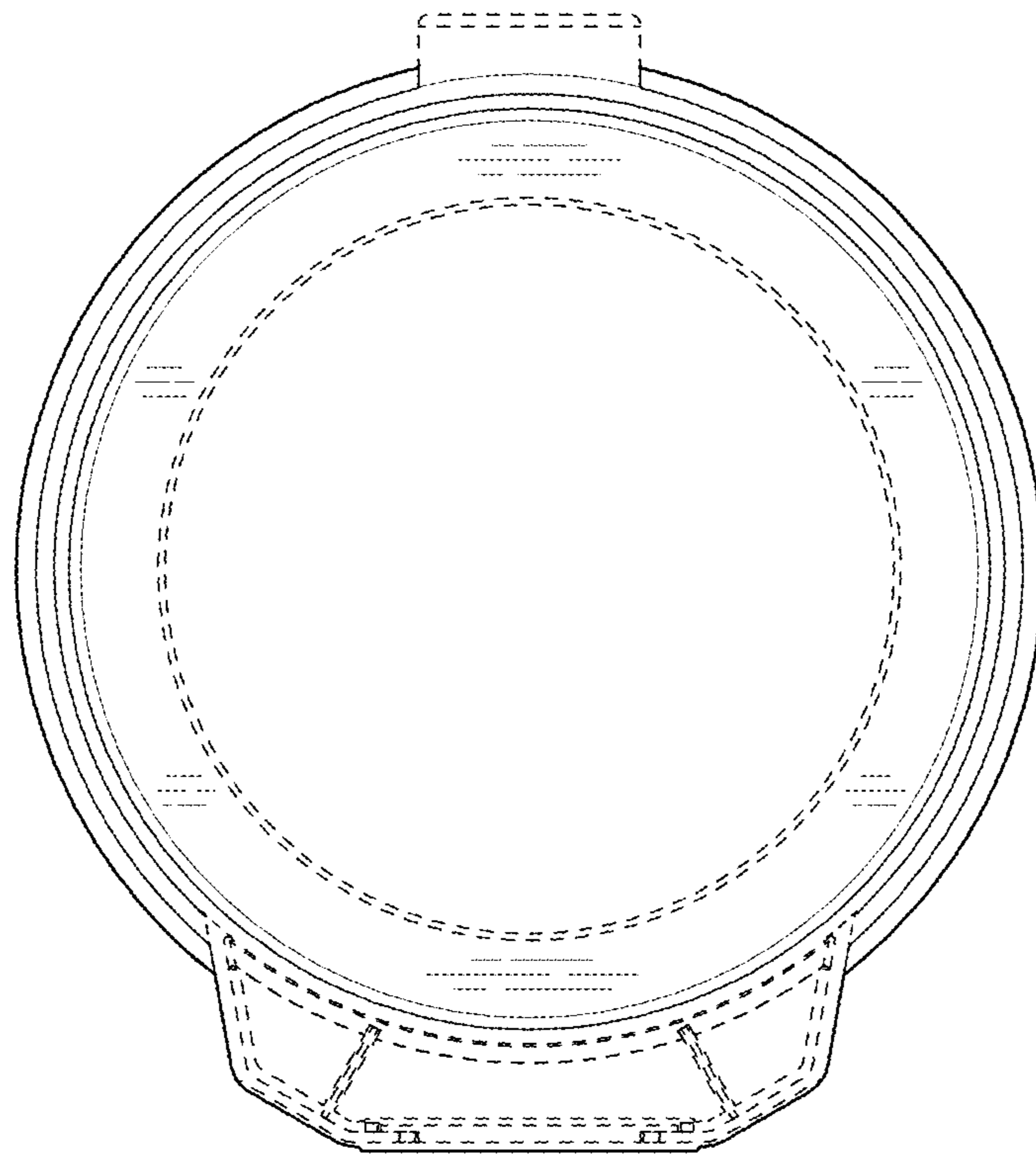


FIG. 7