



US00D795697S

(12) **United States Design Patent** (10) **Patent No.:** **US D795,697 S**  
**Reggiani et al.** (45) **Date of Patent:** **\*\* Aug. 29, 2017**

- (54) **NAIL POLISH PACKAGING**
- (71) Applicant: **VULT COMERCIO DE COSMÉTICOS LTDA**, Mogi das Cruzes (BR)
- (72) Inventors: **Murilo Reggiani**, Mogi das Cruzes (BR); **Daniela Cristina Cruz Colin Cunha**, Mogi das Cruzes (BR)
- (73) Assignee: **VULT COMERCIO DE COSMETICOS LTDA.**, Mogi das Cruzes, SP (BR)

D616,261 S *	5/2010	Lundstrom	.....	D7/679
D616,262 S *	5/2010	Lundstrom	.....	D7/679
D688,918 S *	9/2013	Jin	.....	D7/590
D691,889 S *	10/2013	Mettler	.....	D9/454
D702,554 S *	4/2014	Cole	.....	D28/76
D754,922 S *	4/2016	Schroft	.....	D28/7
D758,204 S *	6/2016	Hwang	.....	D9/689
D759,501 S *	6/2016	Hwang	.....	D9/689

**FOREIGN PATENT DOCUMENTS**

BR	302014003156-0001	*	11/2016
CN	303057458	*	12/2014
CN	303768048	*	8/2016

**OTHER PUBLICATIONS**

Sally Hansen Lustre Shine Nail Color, posted at amazon.com, posted date not given, © 1996-2017, Amazon.com, Inc.,[online], [site visited Mar. 23, 2017]. Available from Internet, <URL: https://www.amazon.com/Sally%ADHansen%ADLustre%ADShine%ADColor/dp/B009MY12A2>.\*

\* cited by examiner

*Primary Examiner* — Anhdao Doan  
*Assistant Examiner* — Mary Malley  
 (74) *Attorney, Agent, or Firm* — Ladas & Parry LLP

(57) **CLAIM**

We claim the ornamental design for a nail polish packaging, as shown and described.

**DESCRIPTION**

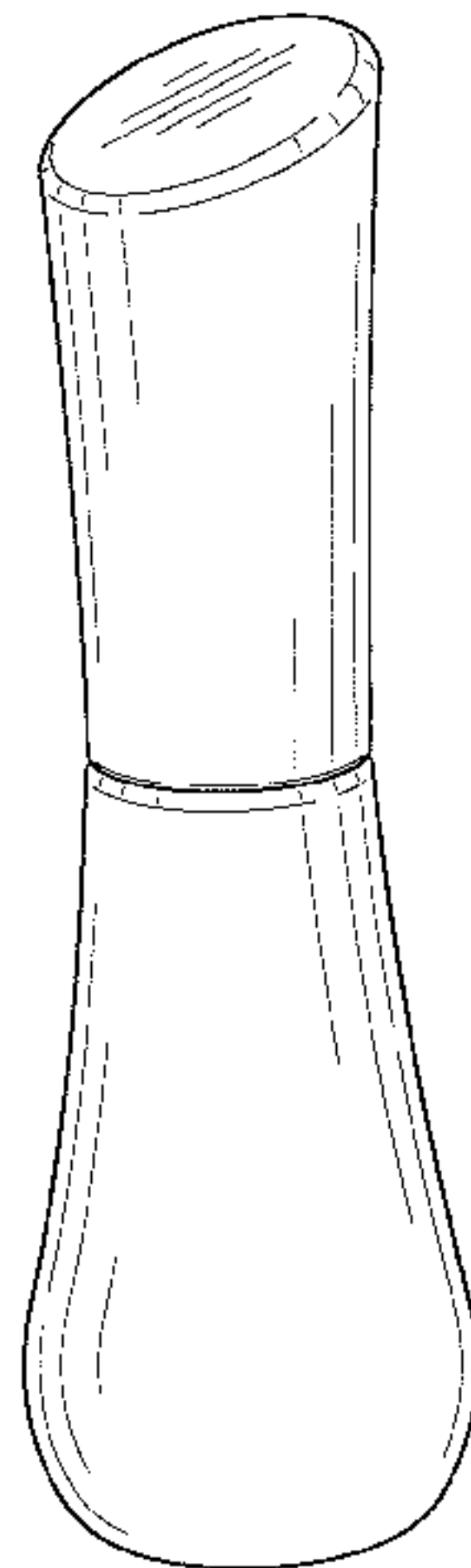
FIG. 1 is a perspective view of our new design for a nail polish packaging;  
 FIG. 2 is a front view thereof;  
 FIG. 3 is a rear view thereof;  
 FIG. 4 is a right side view thereof;  
 FIG. 5 is a left side view thereof;  
 FIG. 6 is a top view thereof; and,  
 FIG. 7 is a bottom view thereof.

**1 Claim, 3 Drawing Sheets**

- (\*\*) Term: **15 Years**
  - (21) Appl. No.: **29/568,578**
  - (22) Filed: **Jun. 20, 2016**
  - (51) **LOC (10) Cl.** ..... **09-01**
  - (52) **U.S. Cl.**  
USPC ..... **D9/503; D28/76**
  - (58) **Field of Classification Search**  
USPC ..... D9/500–504, 505, 516, 519–521, 529, D9/549, 558, 682, 686, 688–691, 551, D9/553, 556; D28/4, 6, 76–79, 82, 87, D28/91; 215/379, 381–382; 220/660, 220/669–673, 675; 206/426; D7/679  
CPC ... B65D 1/00; B65D 1/02; B65D 1/07; B65D 1/0023; B65D 1/10; B65D 23/00; B65D 2501/00; B65D 2501/0009; B65D 85/505; A47G 19/2205; A47G 2400/045; A47G 7/07; A45D 34/06; A45D 34/042; A45D 40/00; A45D 34/04
- See application file for complete search history.

(56) **References Cited**  
**U.S. PATENT DOCUMENTS**

D350,899 S *	9/1994	Vasas	.....	D28/76
D513,815 S *	1/2006	Hollmann	.....	D28/88
D553,800 S *	10/2007	Hollmann	.....	D28/89
D564,706 S *	3/2008	Kadlubowski	.....	D28/76
D570,690 S *	6/2008	McGuinness	.....	D9/504



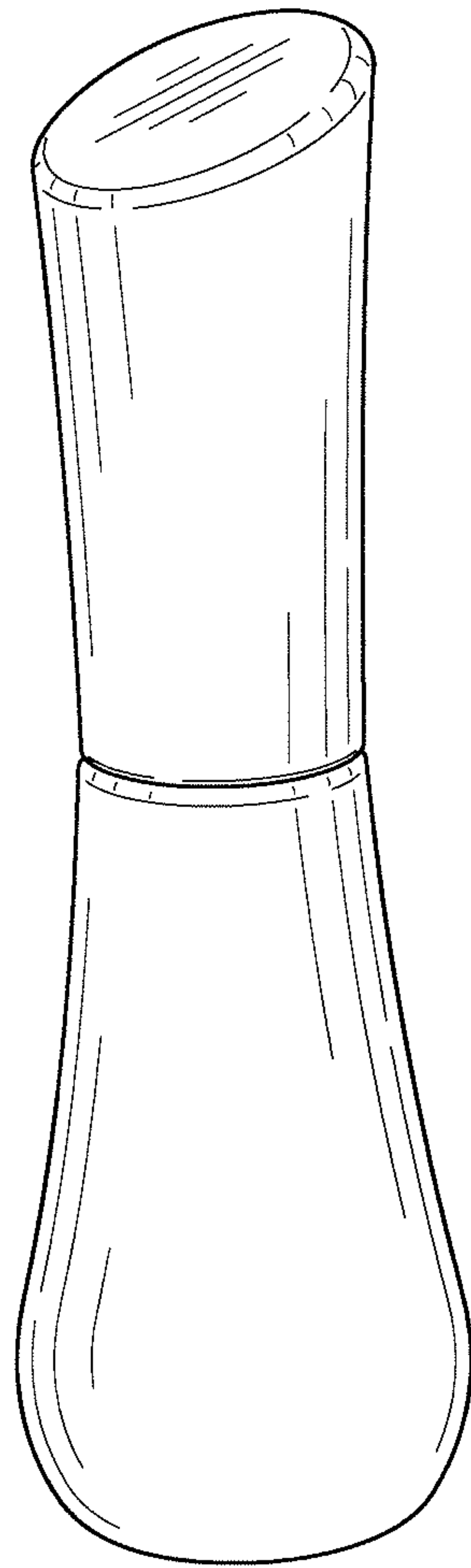


FIG. 1

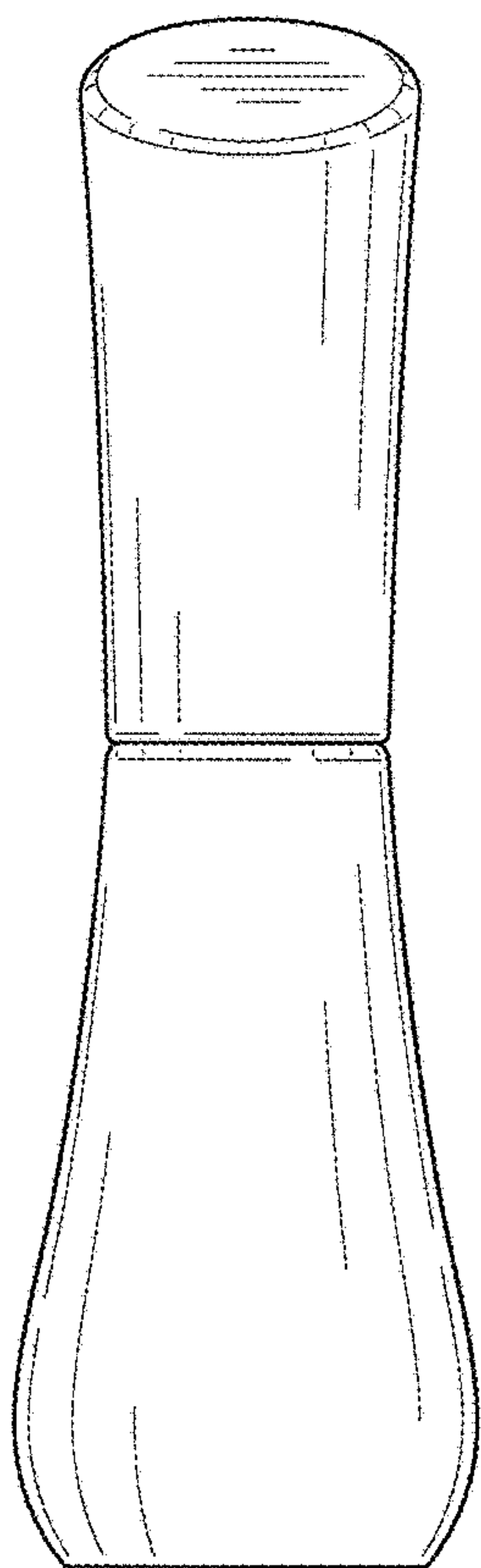


FIG. 2

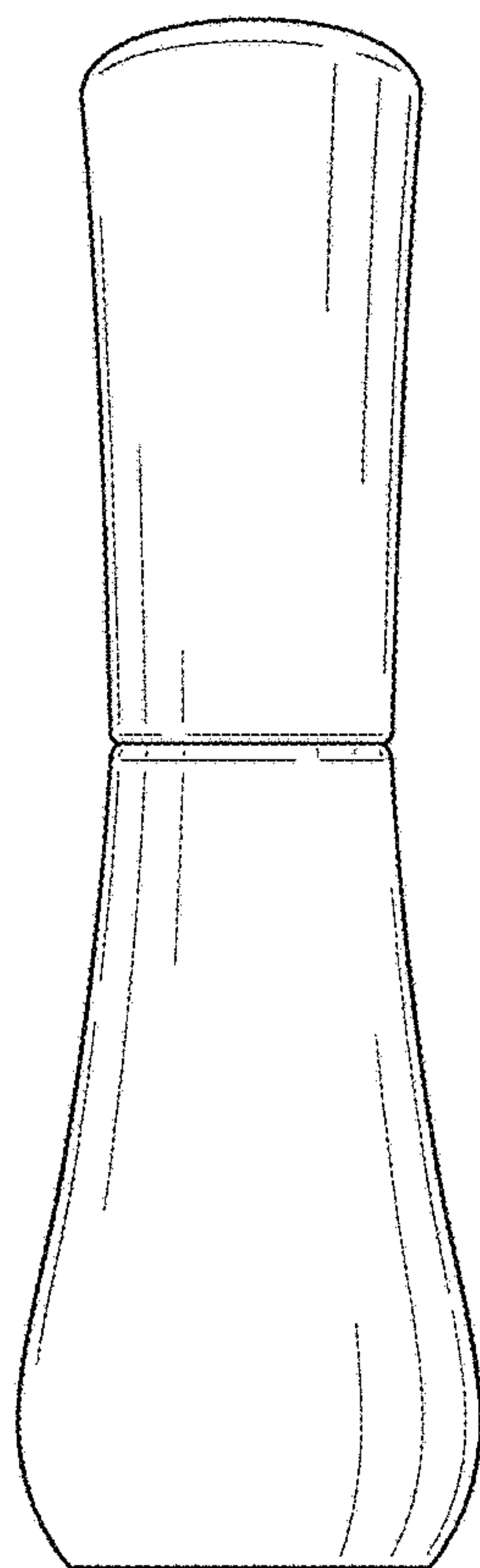


FIG. 3

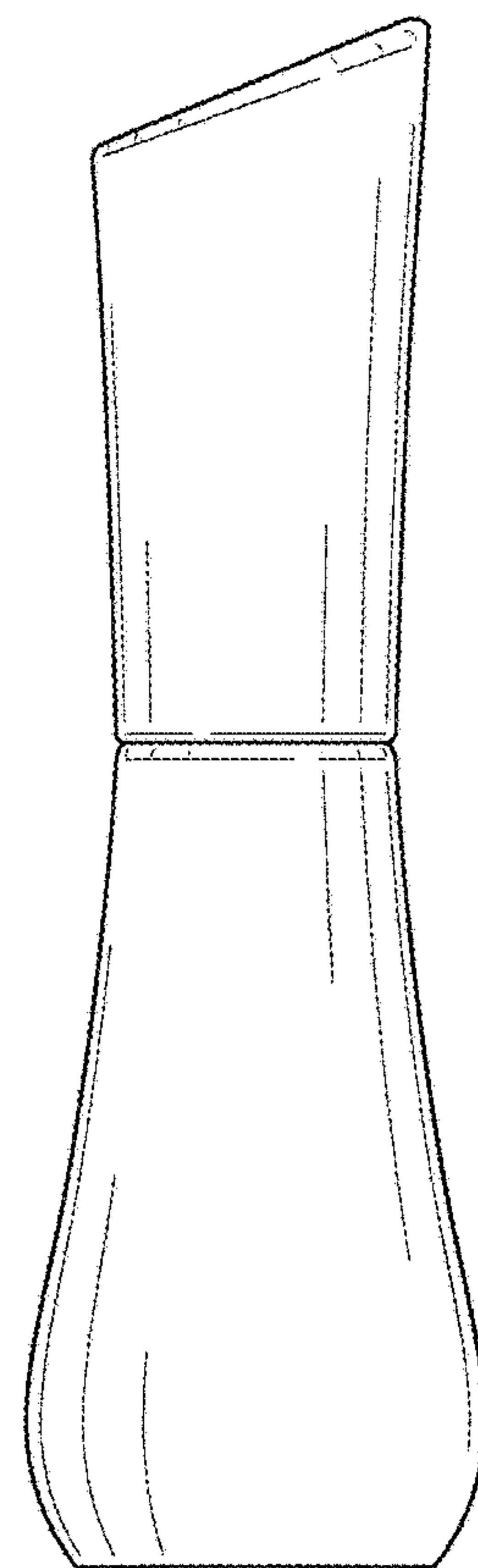


FIG. 4

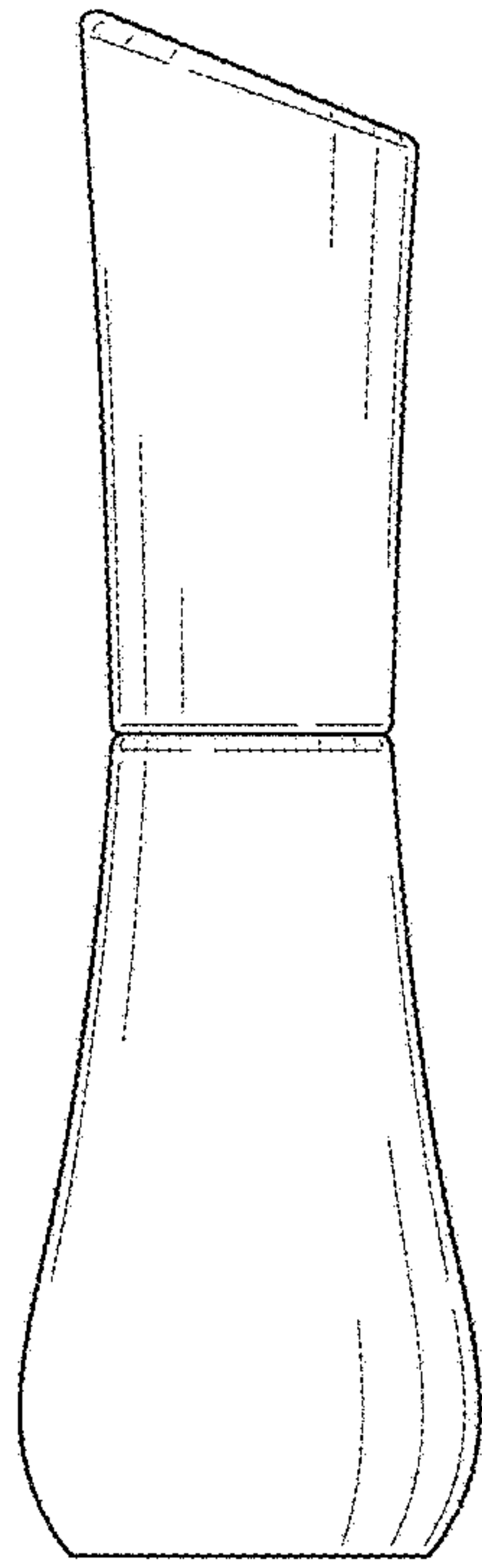


FIG. 5

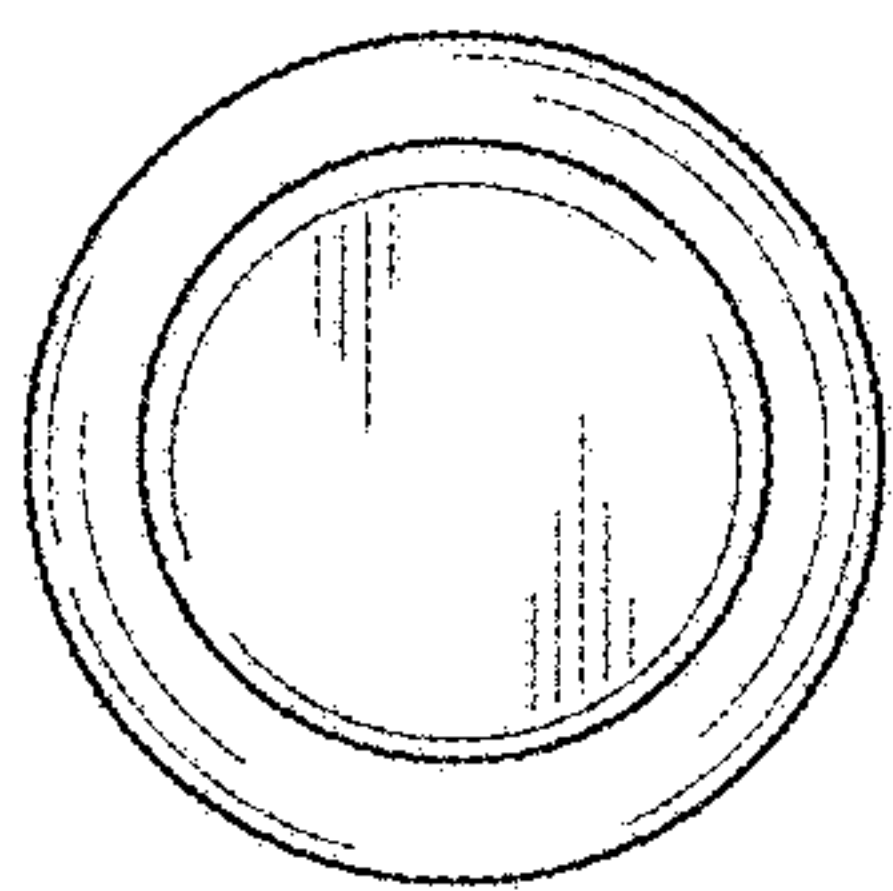


FIG. 6

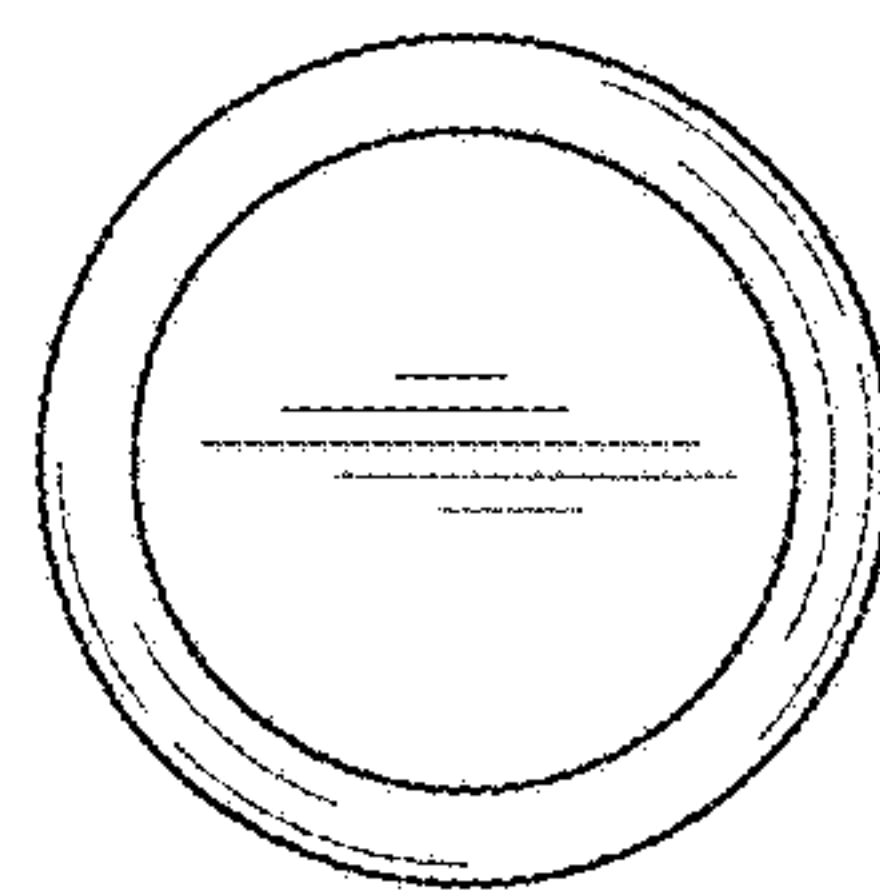


FIG. 7