



US00D795695S

(12) **United States Design Patent** (10) **Patent No.:** **US D795,695 S**  
**Snedden et al.** (45) **Date of Patent:** **\*\* Aug. 29, 2017**

(54) **TRAY**  
(71) Applicant: **Direct Pack, Inc.**, Sun Valley, CA (US)  
(72) Inventors: **Craig R. Snedden**, La Canada Flintridge, CA (US); **Leonardo Magana**, San Bernardino, CA (US); **Gandhi B. Sifuentes**, West Covina, CA (US)  
(73) Assignee: **Direct Pack, Inc.**, Azusa, CA (US)  
(\*\*) Term: **15 Years**  
(21) Appl. No.: **29/545,360**  
(22) Filed: **Nov. 12, 2015**

(56) **References Cited**  
U.S. PATENT DOCUMENTS  
2,776,772 A \* 1/1957 Tamotsu ..... B65D 57/00  
206/511  
D276,702 S \* 12/1984 Entenmann ..... D9/456  
D332,743 S \* 1/1993 Vigue ..... D9/750  
D338,402 S \* 8/1993 Gregerson ..... D9/418  
5,366,073 A \* 11/1994 Turrentine ..... G11B 33/0422  
206/308.1  
D384,580 S \* 10/1997 Fernandes ..... D6/407  
7,077,268 B2 \* 7/2006 Luber ..... B65D 21/0209  
206/397  
D605,033 S \* 12/2009 Iacona ..... D9/415  
D620,765 S \* 8/2010 Sudia ..... D7/629  
D628,478 S \* 12/2010 Snedden ..... D9/431

(Continued)

*Primary Examiner* — Karen S Acker  
*Assistant Examiner* — Wendy Arminio  
(74) *Attorney, Agent, or Firm* — Frost Brown Todd LLC

(57) **CLAIM**  
The ornamental design for a tray, as shown and described.

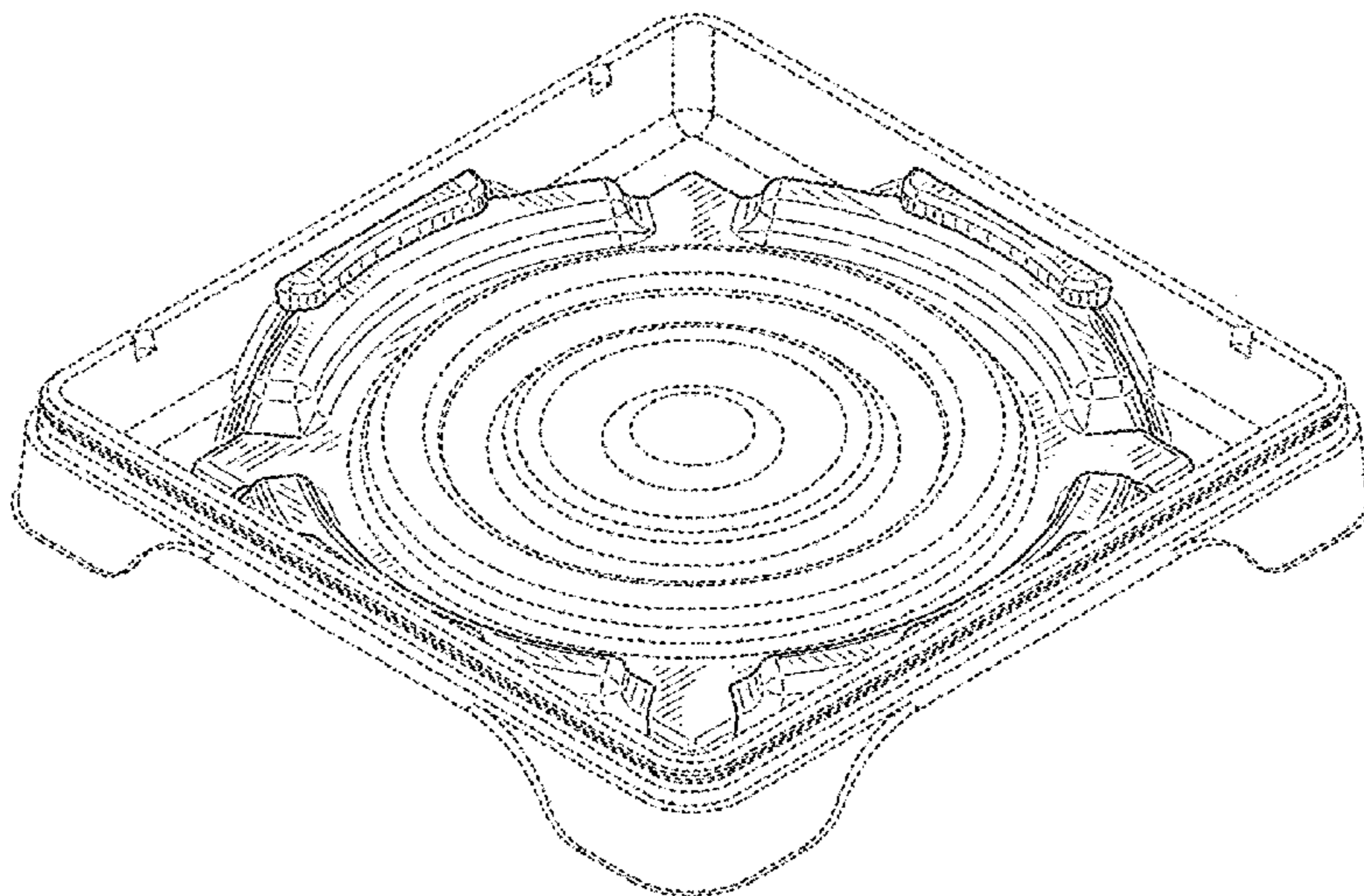
**DESCRIPTION**

FIG. 1 is a top perspective view of a tray showing our new design;  
FIG. 2 is a left elevational view thereof;  
FIG. 3 is a right elevational view thereof;  
FIG. 4 is a front elevational view thereof;  
FIG. 5 is a back elevational view thereof;  
FIG. 6 is a top plan view thereof; and,  
FIG. 7 is a bottom plan view thereof.  
The concentric broken lines and the areas within them on the interior of the top and bottom of the tray depict portions of the tray that from no part of the claimed design. The broken-line-drawn sides and the broken-line-drawn triangular corners of the tray located outside the boundaries created by the solid lines and solid contour and shading lines are not included in the claim. All broken lines form no part of the claimed design.

**Related U.S. Application Data**

(63) Continuation of application No. 29/511,623, filed on Dec. 12, 2014, now Pat. No. Des. 748,469.  
(51) **LOC (10) Cl.** ..... **09-07**  
(52) **U.S. Cl.**  
USPC ..... **D9/456; D9/424**  
(58) **Field of Classification Search**  
USPC ..... D9/414-429, 431-433, 456, 715, 717, D9/759, 760; D7/543, 546, 602, 619.1, D7/629; D28/4, 8  
CPC ..... A47G 21/14; A47J 47/14; B65D 1/22; B65D 1/34; B65D 1/36; B65D 1/40; B65D 1/46; B65D 21/083; B65D 21/0234; B65D 43/162; B65D 77/245; B65D 2543/00092; B65D 2543/00101; B65D 2543/00296; B65D 3/28; B65D 5/4204; B65D 7/46; B65D 85/12; B65D 85/34; B21D 51/2646; A45C 11/20  
See application file for complete search history.

**1 Claim, 4 Drawing Sheets**



(56)

**References Cited**

U.S. PATENT DOCUMENTS

D692,751 S \* 11/2013 Mastronardi ..... D9/427  
D744,327 S \* 12/2015 Snedden ..... D9/418  
2006/0054520 A1\* 3/2006 Gelardi ..... G11B 33/0444  
206/308.1

\* cited by examiner

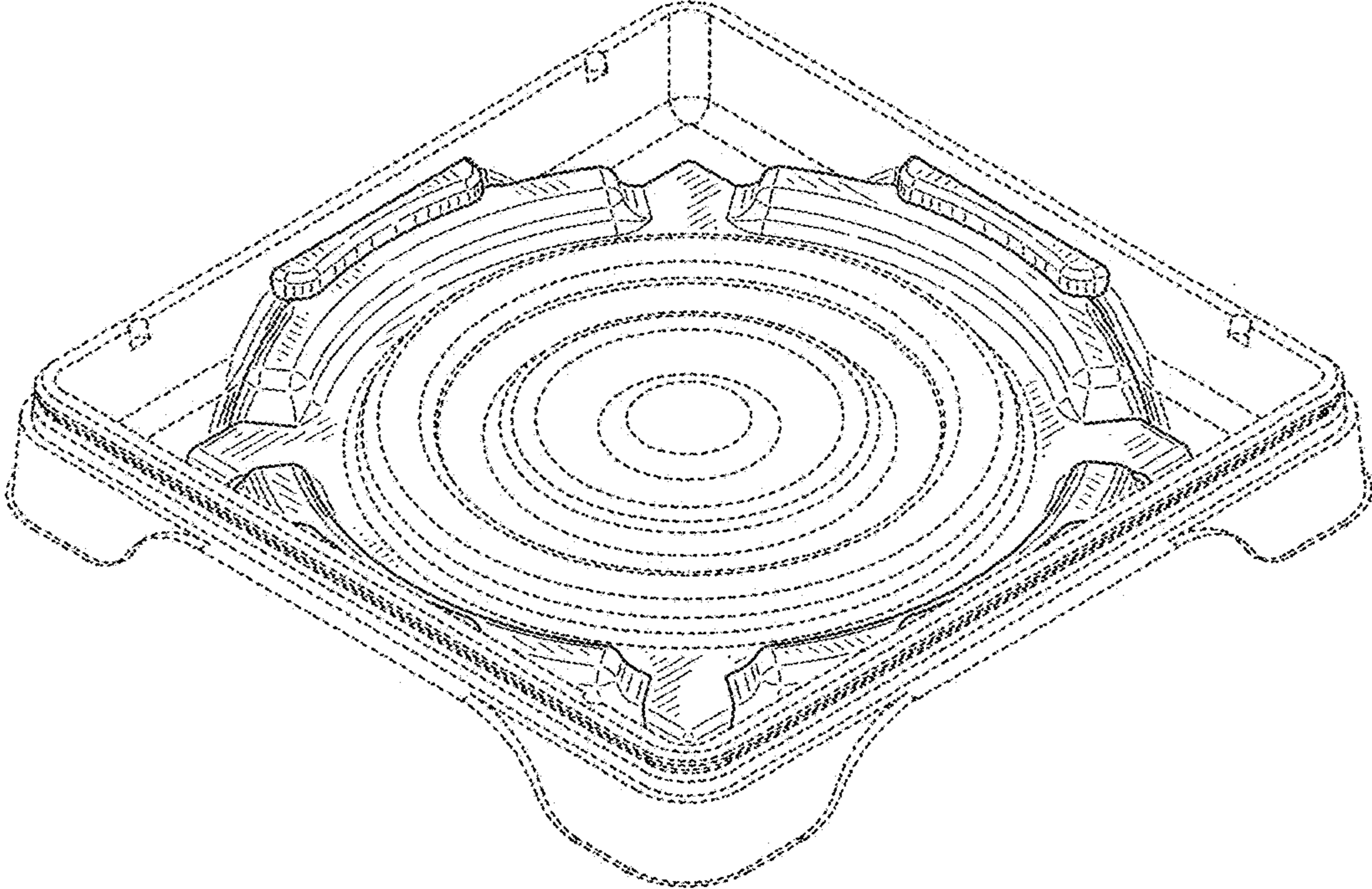


FIG. 1



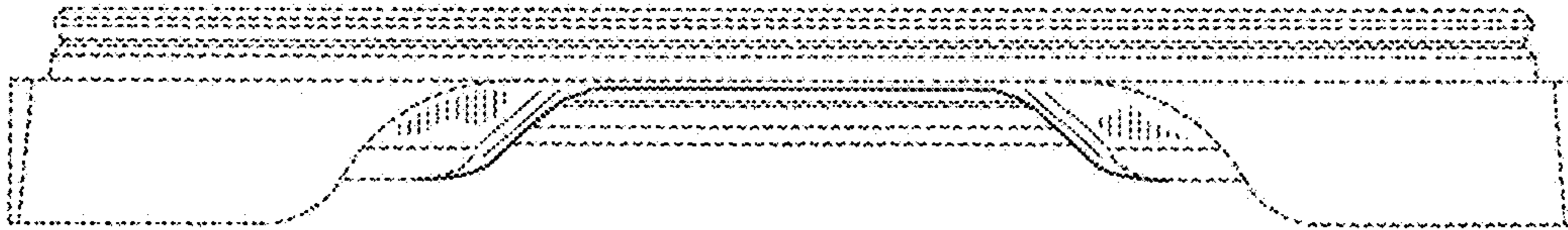


FIG. 2

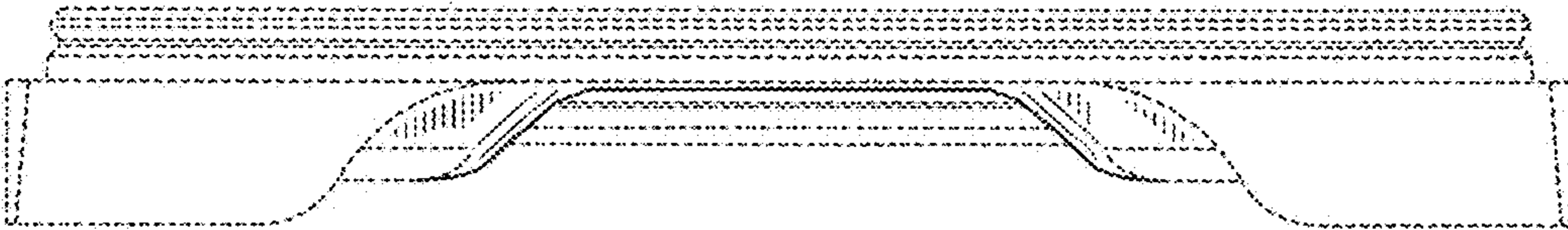


FIG. 3

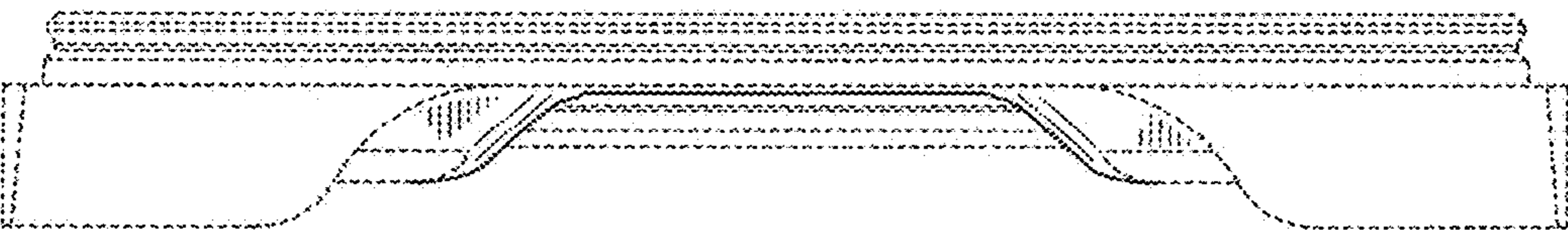


FIG. 4

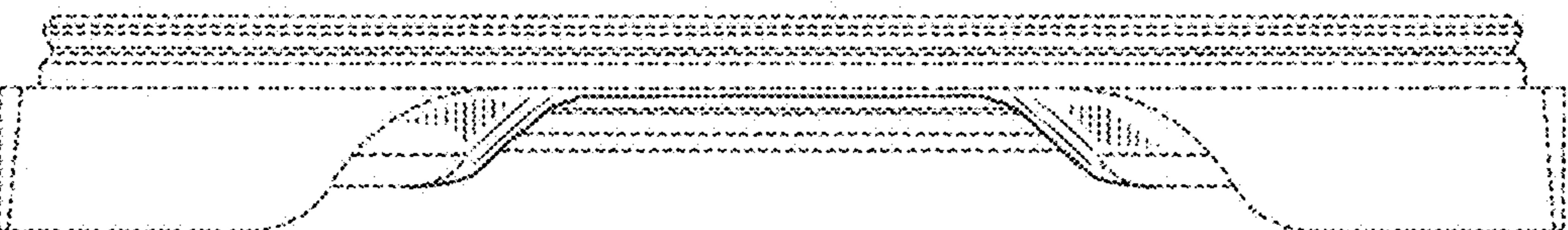


FIG. 5

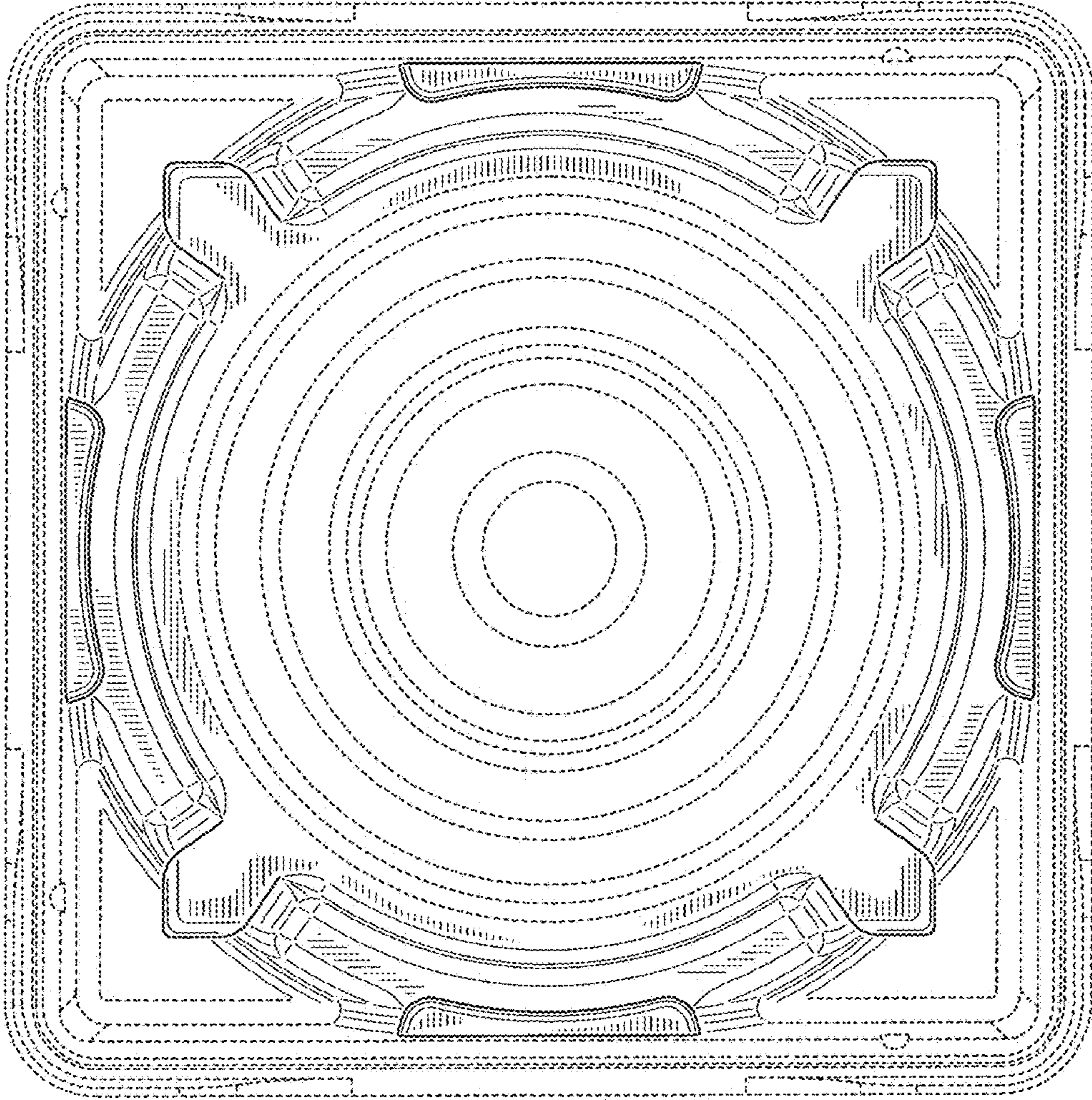


FIG. 6



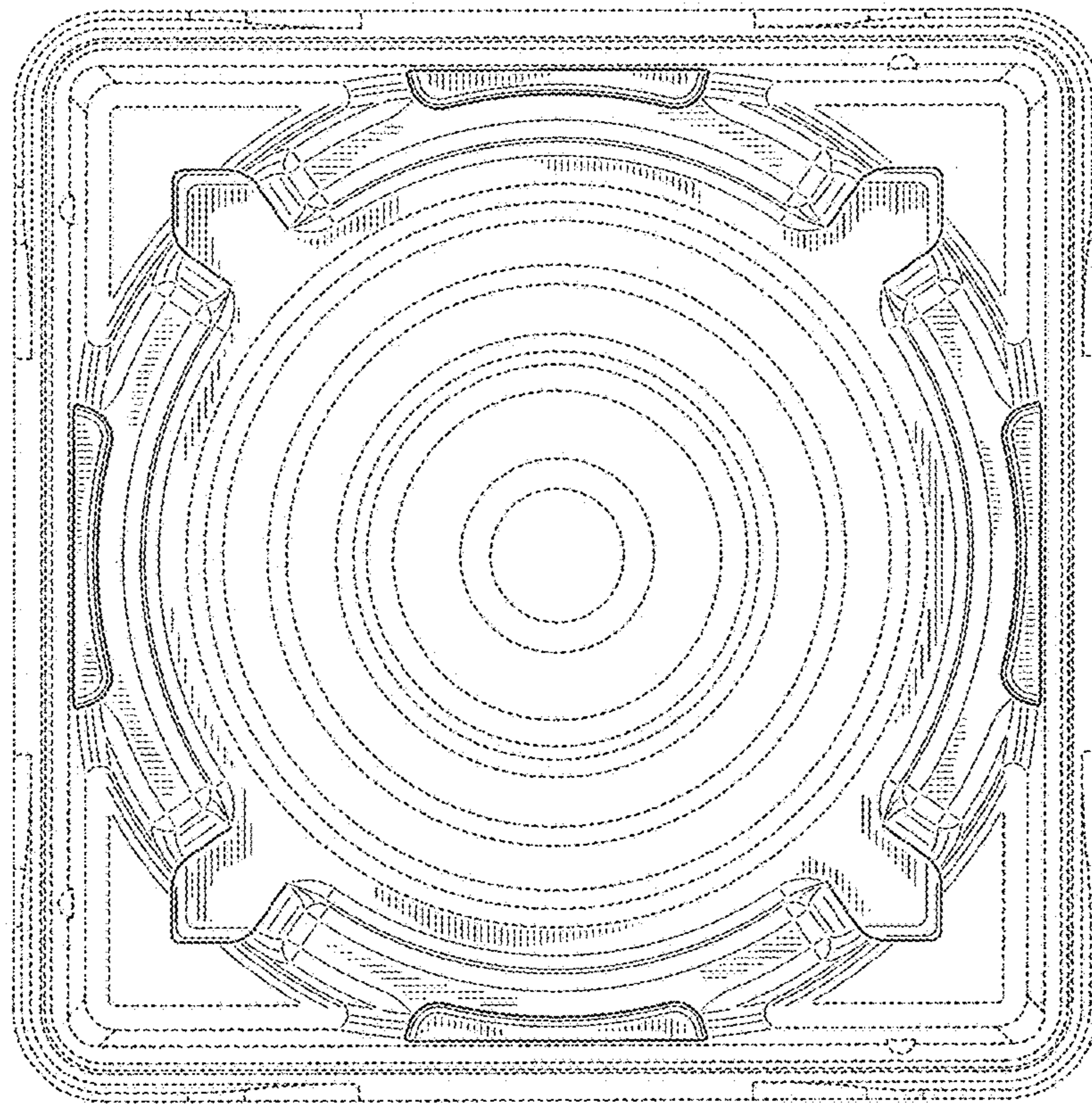


FIG. 7