



US00D795691S

(12) **United States Design Patent** (10) **Patent No.:** **US D795,691 S**  
**Bankowski** (45) **Date of Patent:** **\*\* \*Aug. 29, 2017**

- (54) **BLANK FOR FORMING A CONTAINER**
- (71) Applicant: **Visy R & D Pty Ltd**, Southbank (AU)
- (72) Inventor: **Piotr Bankowski**, Kyneton (AU)
- (73) Assignee: **Visy R & D Pty Ltd**, Southbank Victoria (AU)
- (\*) Notice: This patent is subject to a terminal disclaimer.
- (\*\*) Term: **15 Years**
- (21) Appl. No.: **29/560,867**
- (22) Filed: **Apr. 11, 2016**
- (30) **Foreign Application Priority Data**

Oct. 12, 2015 (AU) ..... 201515363

- (51) **LOC (10) Cl.** ..... **09-03**
- (52) **U.S. Cl.**  
USPC ..... **D9/433**

- (58) **Field of Classification Search**  
USPC ..... D9/414-434, 442-445, 456, 457, 542, D9/563, 600, 614-624, 655, 657, 658, D9/661, 695, 697-699, 707, 708, 711, D9/754, 759, 772-776; D3/273, 276, D3/305, 307, 309-313; D7/601, 602; D19/75, 90  
CPC ..... B65D 5/00; B65D 5/001; B65D 5/0015; B65D 5/1209; B65D 5/0227-5/0254; B65D 5/18; B65D 5/6605; B65B 5/06  
See application file for complete search history.

(56) **References Cited**

**U.S. PATENT DOCUMENTS**

- D289,974 S \* 5/1987 Hamilton ..... D9/418
- D307,109 S \* 4/1990 Dasher ..... D3/307
- D477,217 S \* 7/2003 Riedi ..... D9/418
- D518,526 S \* 4/2006 Benn ..... D19/90

- D710,442 S \* 8/2014 Stravitz ..... D19/90
- D727,142 S \* 4/2015 Bankowski ..... D9/418
- D744,332 S \* 12/2015 D'Anglade ..... D9/418
- D764,279 S \* 8/2016 Sevsek ..... D9/431
- D772,703 S \* 11/2016 Choi ..... D9/433
- 2005/0150939 A1 \* 7/2005 Fakes ..... B65D 5/0227  
229/235
- 2011/0000957 A1 \* 1/2011 Delause ..... B65D 5/001  
229/125.01
- 2016/0137333 A1 \* 5/2016 Brundage ..... B31B 3/26  
229/5.5

**OTHER PUBLICATIONS**

Almost As Good As a Cardboard Box. [online] Published date Mar. 11, 2010. Retrieved on Dec. 6, 2016 from <URL: <http://preschoolpatti.blogspot.com/2010/03/almost-as-good-as-cardboard-box.html>>.\*  
U.S. Appl. No. 29/560,868, Non Final Office Action mailed Jan. 5, 2017, 8 pgs.

\* cited by examiner

*Primary Examiner* — Vy Koenig  
*Assistant Examiner* — Omeed Agilee  
(74) *Attorney, Agent, or Firm* — Schwegman Lundberg & Woessner, P.A.

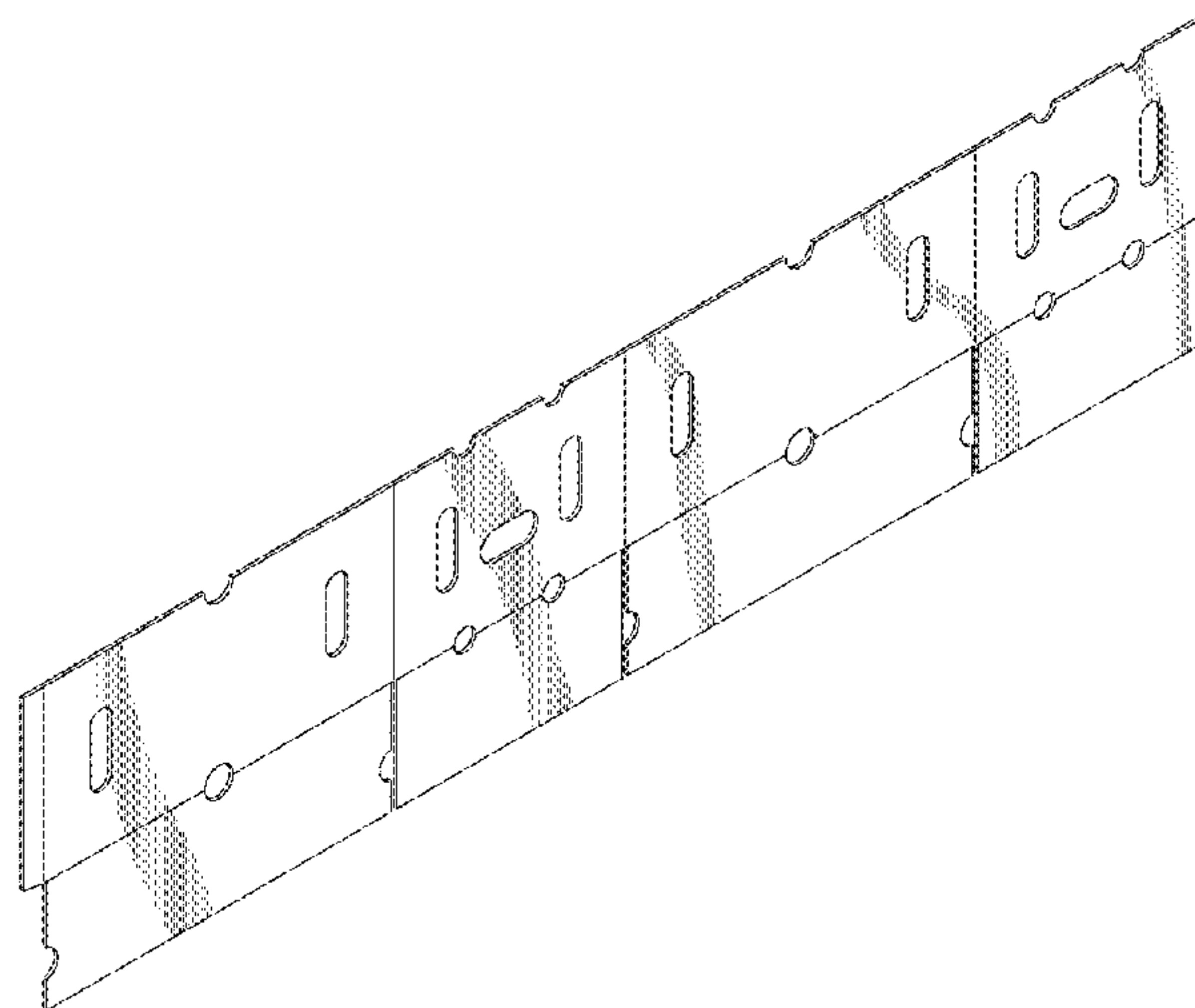
(57) **CLAIM**

The ornamental design for a blank for forming a container, as shown and described.

**DESCRIPTION**

FIG. 1 is a top, front, and left perspective view of a blank for forming a container showing my new design;  
FIG. 2 is a front elevational view thereof, the rear view is a mirror image of the front view;  
FIG. 3 is a left side elevational view thereof;  
FIG. 4 is a right side elevational view thereof;  
FIG. 5 is a top plan view thereof; and,  
FIG. 6 is a bottom plan view thereof.

**1 Claim, 4 Drawing Sheets**



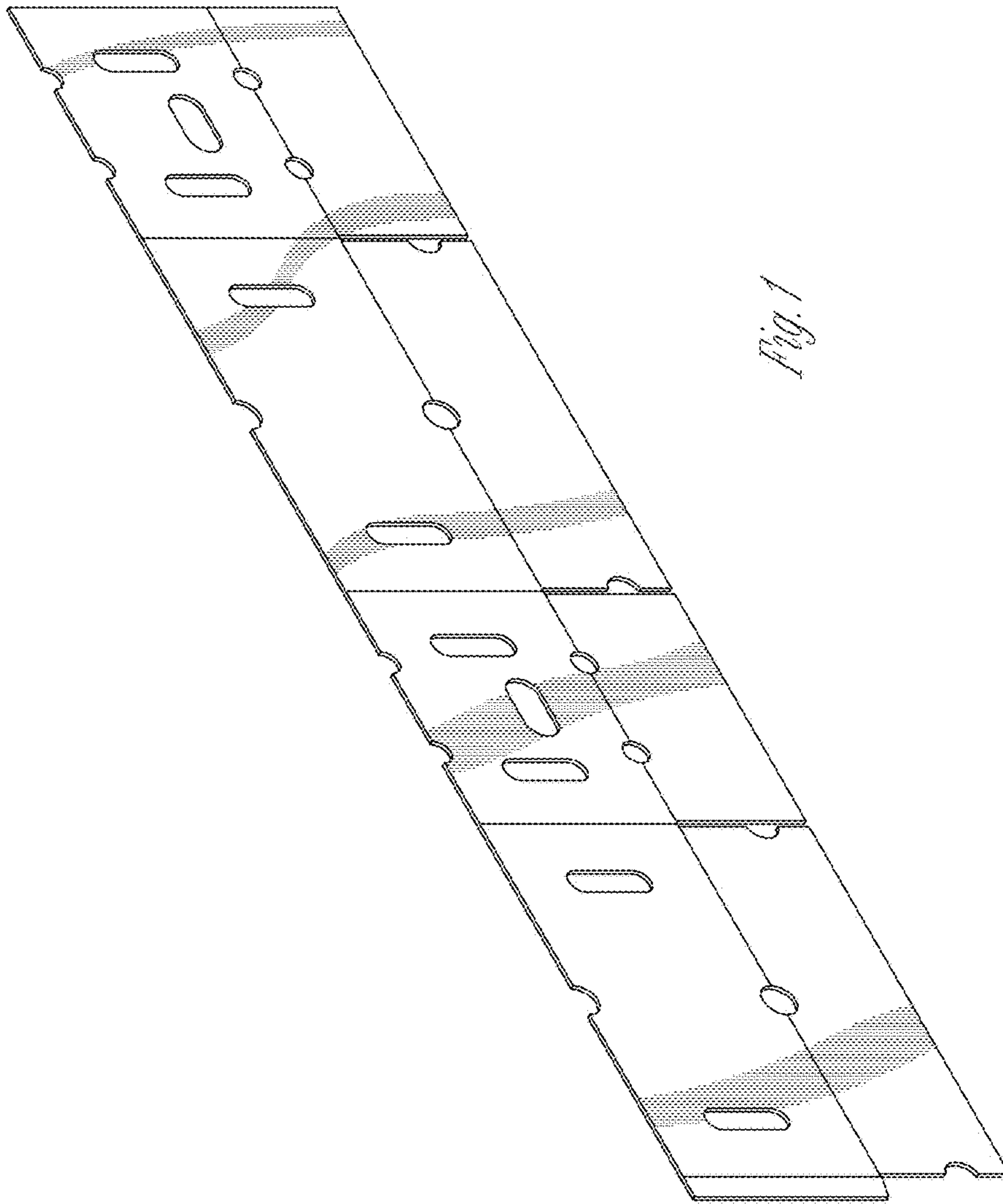
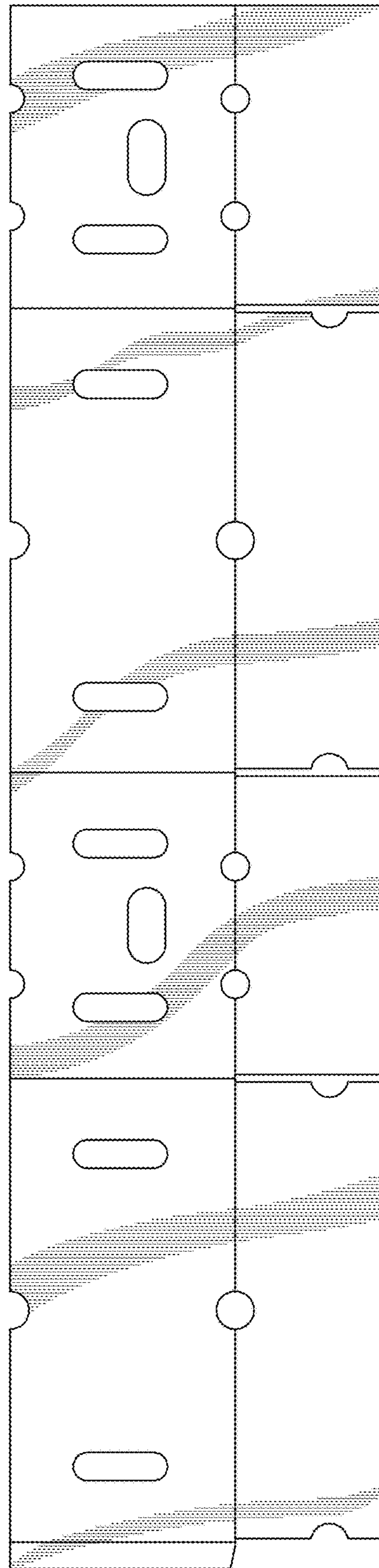
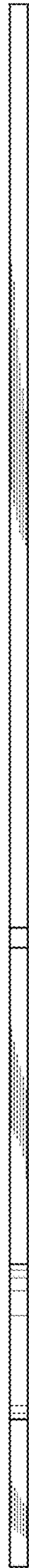


Fig. 1



*Fig. 2*



*Fig. 3*



*Fig. 4*



*Fig. 5*



*Fig. 6*