



US00D795689S

(12) **United States Design Patent** (10) **Patent No.:** **US D795,689 S**
Shirosawa (45) **Date of Patent:** **** Aug. 29, 2017**

(54) **PACKAGE**

(71) Applicant: **Panasonic Intellectual Property Management Co., Ltd.**, Osaka (JP)

(72) Inventor: **Tomohisa Shirosawa**, Osaka (JP)

(73) Assignee: **Panasonic Intellectual Property Management Co., Ltd.**, Osaka (JP)

(**) Term: **15 Years**

(21) Appl. No.: **29/550,759**

(22) Filed: **Jan. 6, 2016**

(30) **Foreign Application Priority Data**

Jul. 29, 2015 (JP) 2015-016827

(51) **LOC (10) Cl.** **09-03**

(52) **U.S. Cl.**
USPC **D9/430; D9/421**

(58) **Field of Classification Search**

USPC D9/414-434, 442-445, 456, 457, 542, D9/563, 600, 614-624, 655, 657, 658, D9/661, 685, 695, 697-699, 707, 708, D9/711, 754, 759, 772-776; D3/273, D3/276, 304, 305, 307, 309-311; D7/601, 602, 709; D19/75, 90
CPC B65D 5/00; B65D 5/001; B65D 5/0015; B65D 5/0227-5/0254; B65D 5/18; B65D 5/6605; B65D 5/48024; B65B 5/06
See application file for complete search history.

(56) **References Cited**

U.S. PATENT DOCUMENTS

3,463,379 A * 8/1969 Dlugopolski B65D 5/2047
229/110
D324,823 S * 3/1992 Scarpa D9/430
D495,598 S * 9/2004 Smith D9/430
D524,155 S * 7/2006 Coppola D9/430
D529,391 S * 10/2006 Glass D9/559
D544,369 S * 6/2007 Liu D9/704

(Continued)

FOREIGN PATENT DOCUMENTS

CA 27283 * 6/1965

OTHER PUBLICATIONS

Hexagonal Origami Gift Box. [online] Published date Mar. 15, 2011. Retrieved on Feb. 8, 2017 from <URL: <https://www.paperkawaii.com/2011/03/15/hexagonal-origami-gift-box/>>.*

Primary Examiner — Vy Koenig

Assistant Examiner — Omeed Agilee

(74) *Attorney, Agent, or Firm* — Panasonic IP Management; Kerry S. Culpepper

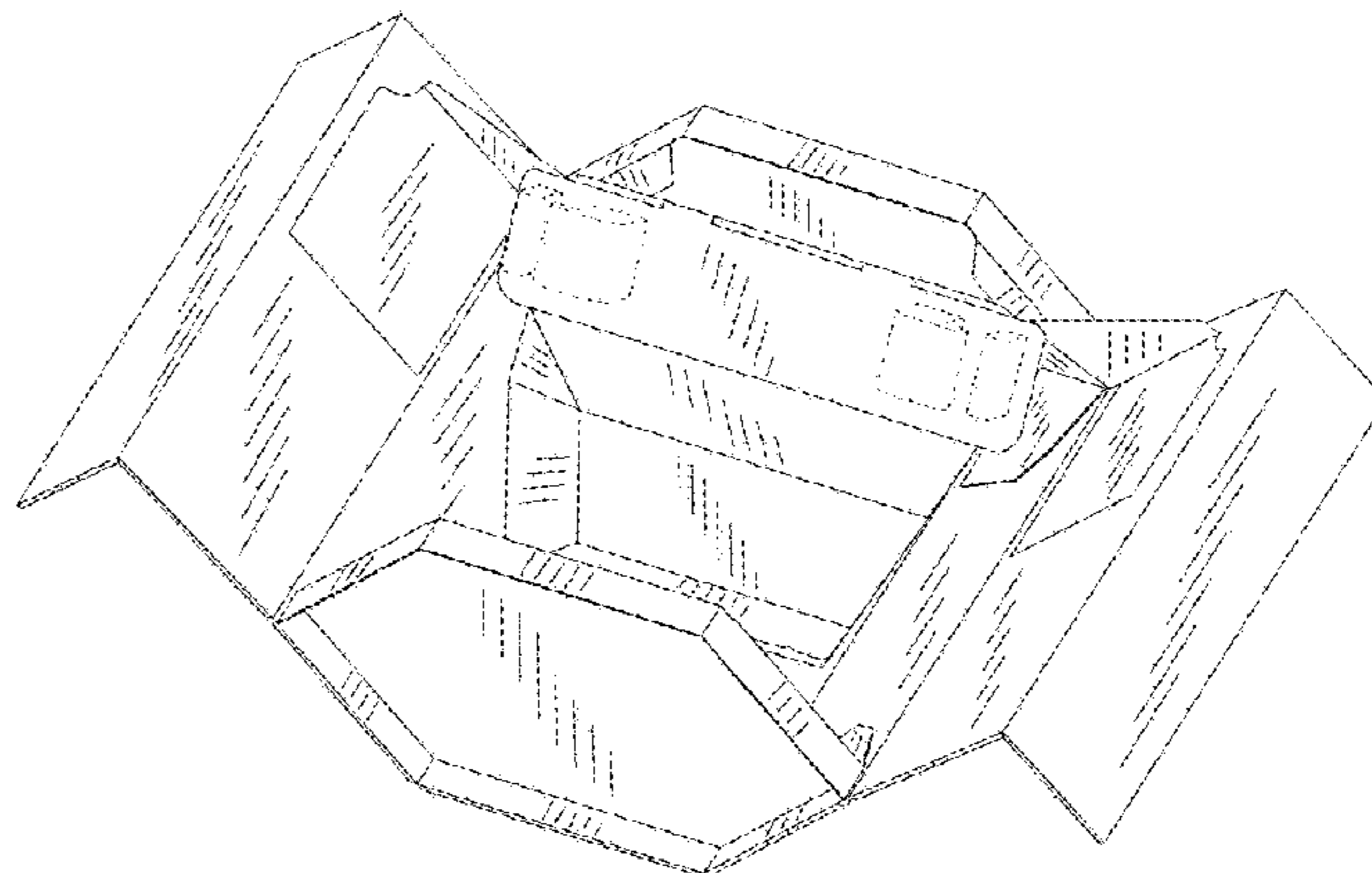
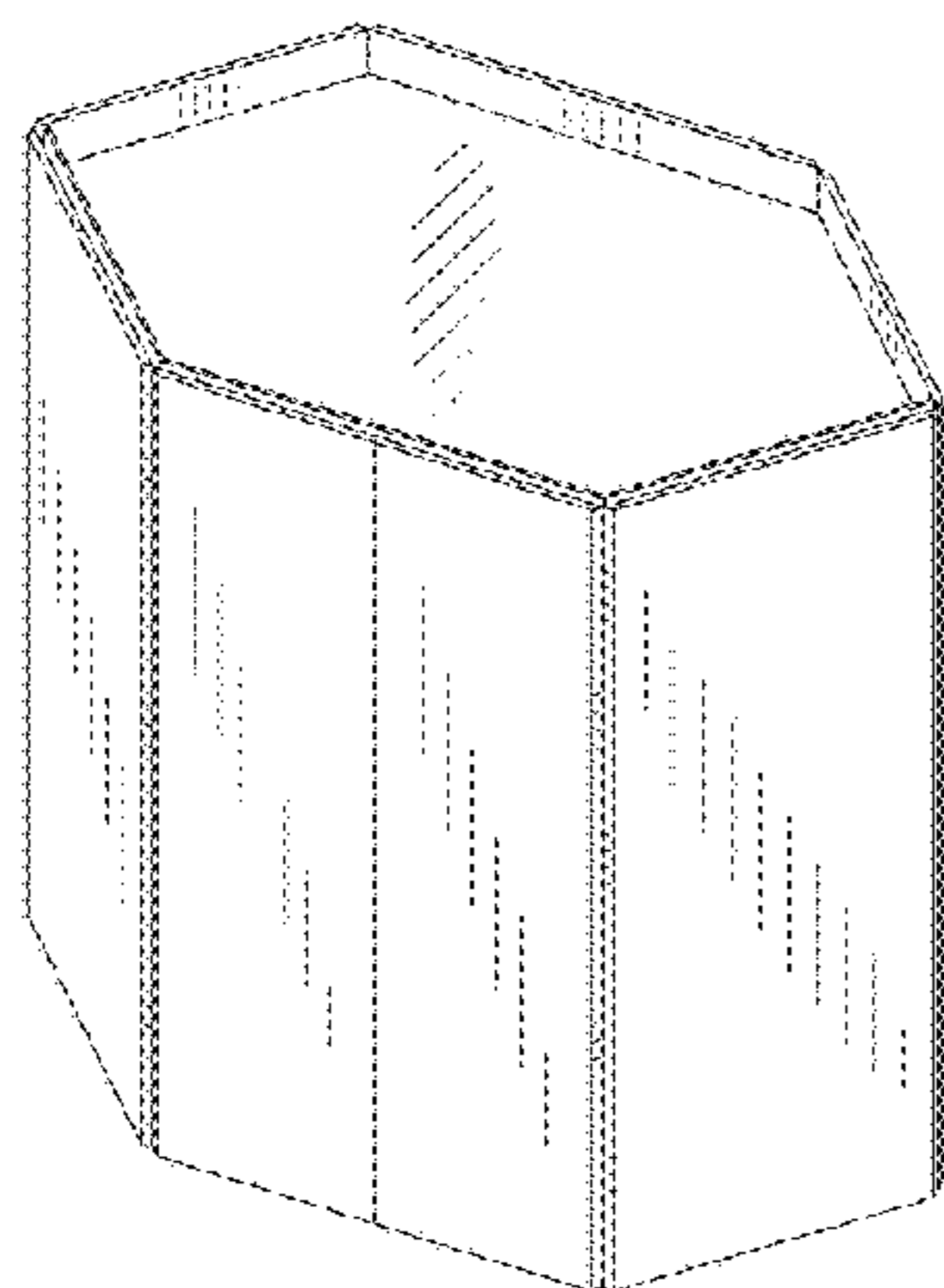
(57) **CLAIM**

I claim the ornamental design for a package, as shown and described.

DESCRIPTION

FIG. 1 is a front and top perspective view of a package, showing my new design;
FIG. 2 is a front view thereof;
FIG. 3 is a rear view thereof;
FIG. 4 is a left side view thereof;
FIG. 5 is a right side view thereof;
FIG. 6 is a top view thereof;
FIG. 7 is a bottom view thereof;
FIG. 8 is a cross-sectional view taken along the line 8-8 in FIG. 2;
FIG. 9 is a front and bottom perspective view thereof shown in a partially opened side configuration;
FIG. 10 is a front and bottom perspective view thereof shown in a fully opened side configuration; and,
FIG. 11 is a bottom view thereof shown in a fully opened side configuration.
The broken lines shown in the figures are included for the purpose of illustrating environmental subject matter and form no part of the claimed design.

1 Claim, 11 Drawing Sheets



(56)

References Cited

U.S. PATENT DOCUMENTS

D570,682 S *	6/2008	Erden	D9/430
D582,266 S *	12/2008	Helms, Jr.	D9/430
D668,144 S *	10/2012	Swart	D9/430
D672,645 S *	12/2012	Giannini	D9/430
D678,056 S *	3/2013	Swart	D9/434
D764,909 S *	8/2016	Tulin	D9/430
D772,056 S *	11/2016	O'Dowd	D9/430
2006/0261060 A1 *	11/2006	Baez	B65D 85/60 220/4.21

* cited by examiner

FIG. 1

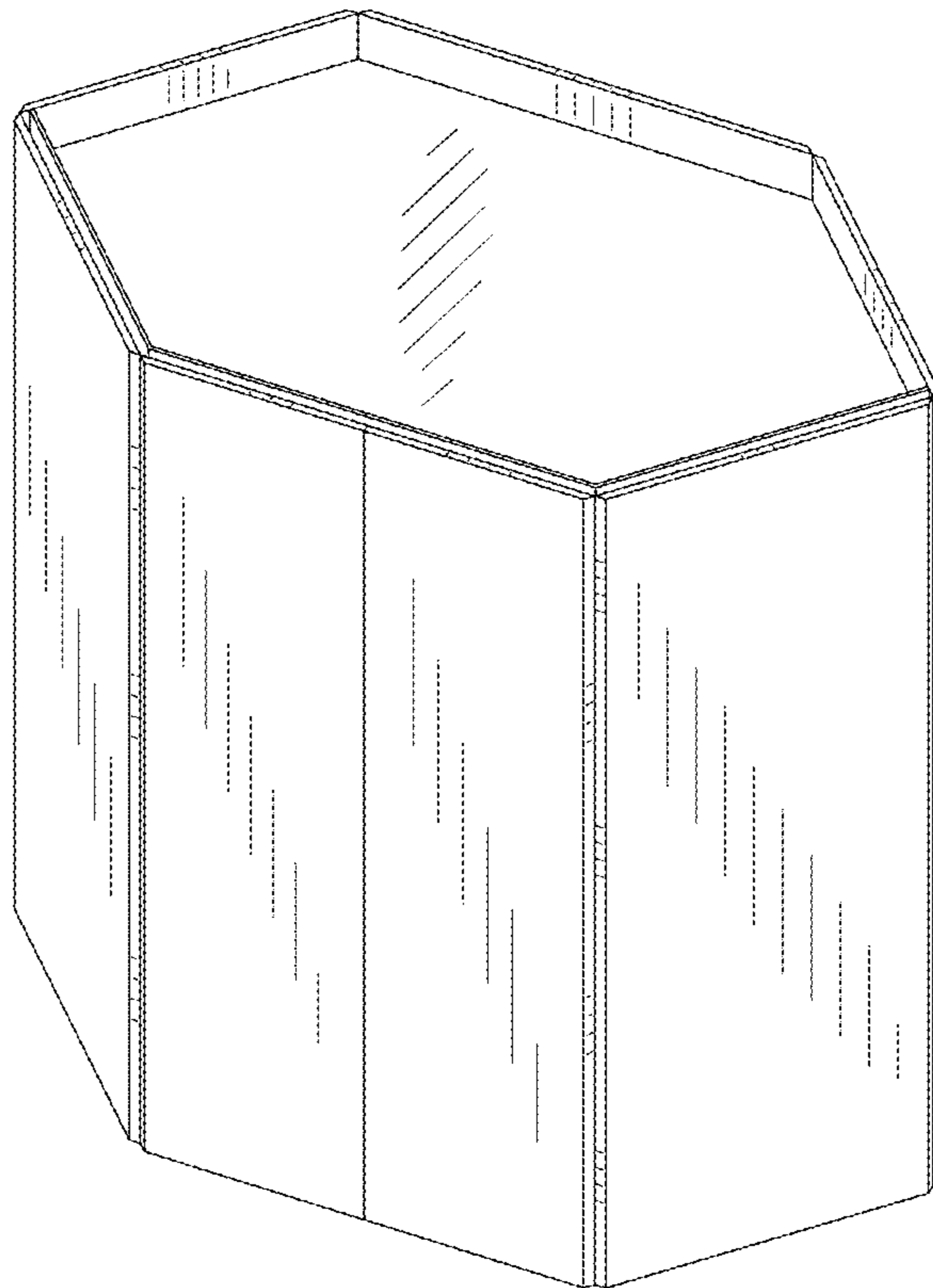


FIG. 2

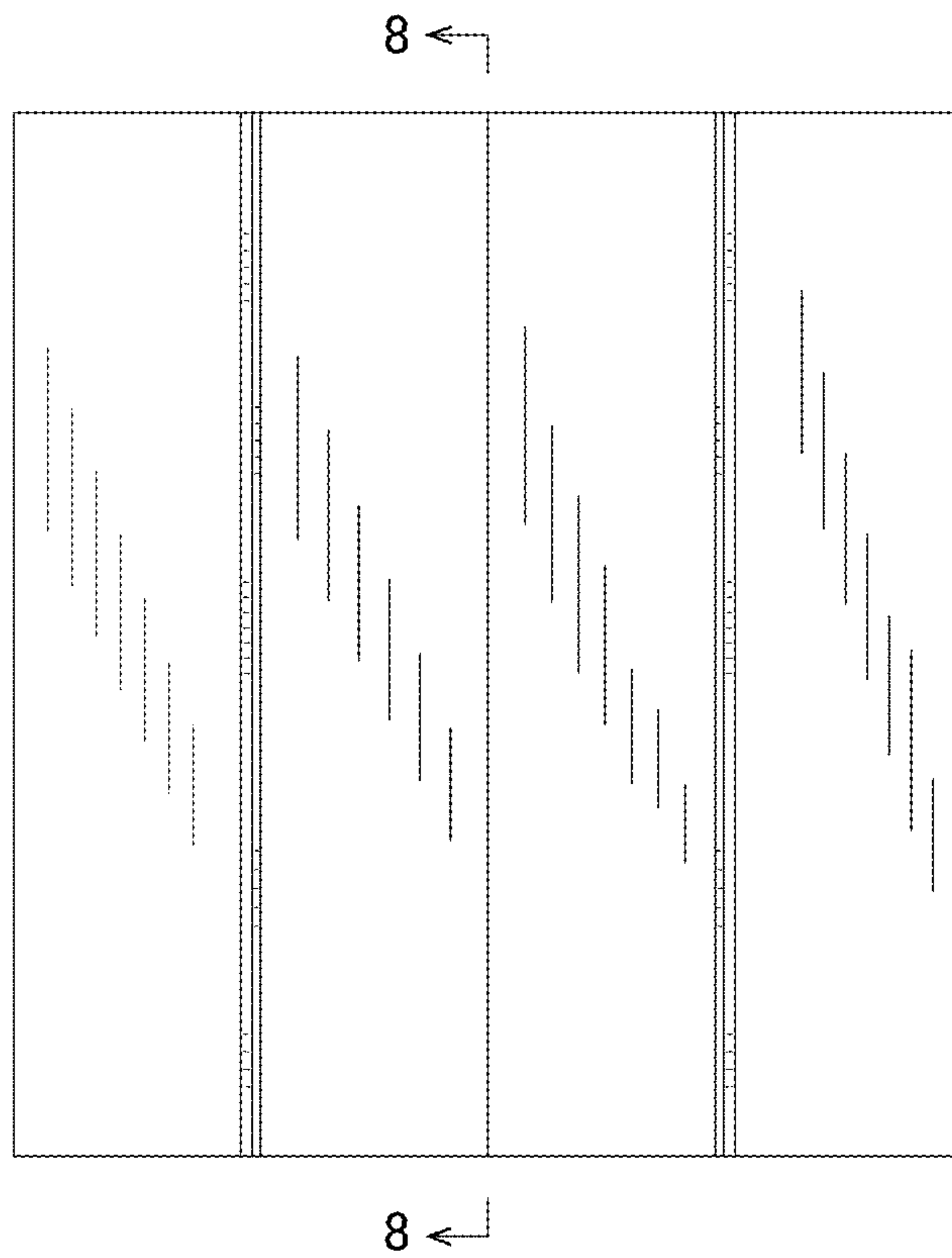


FIG. 3

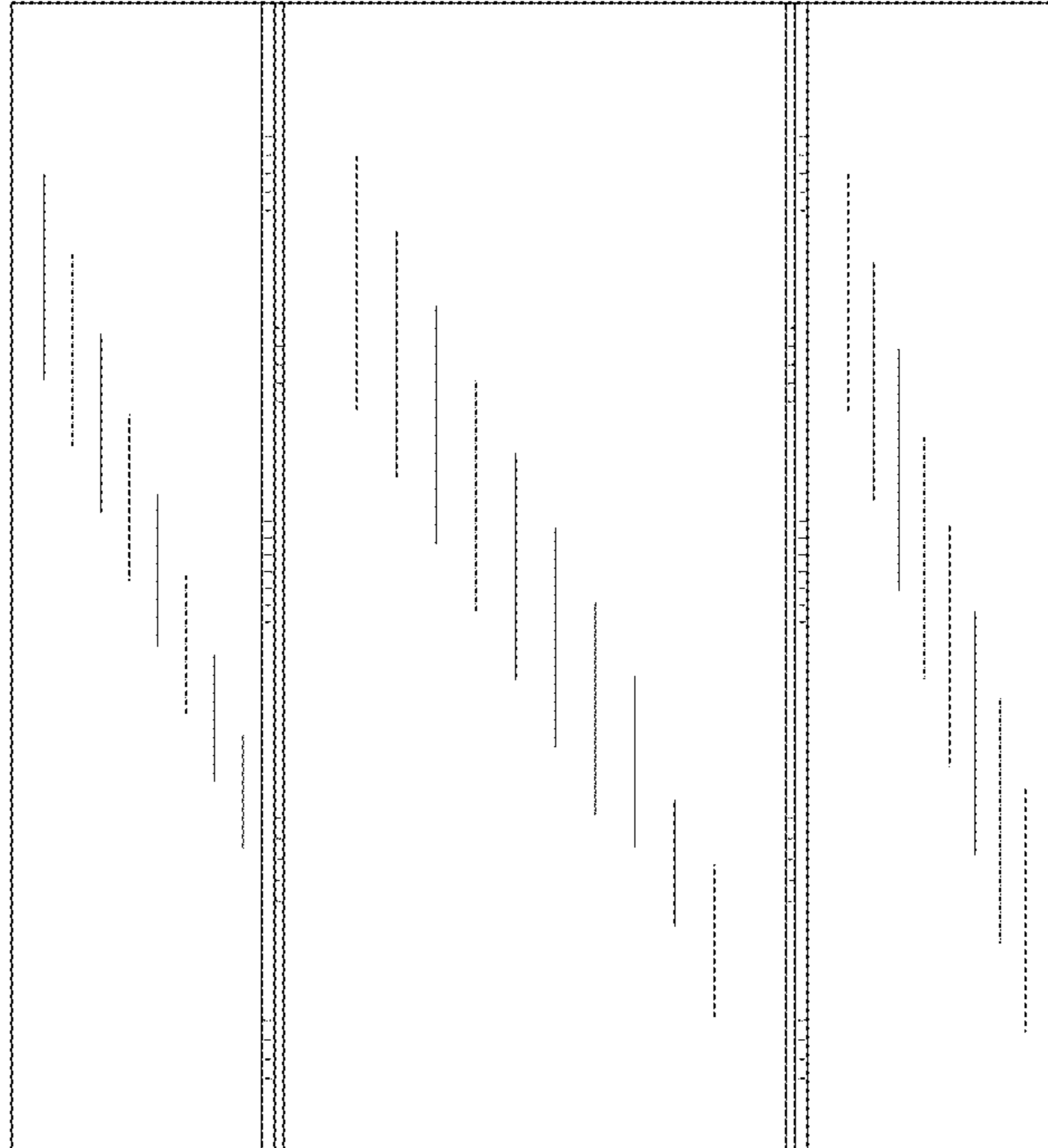


FIG. 4

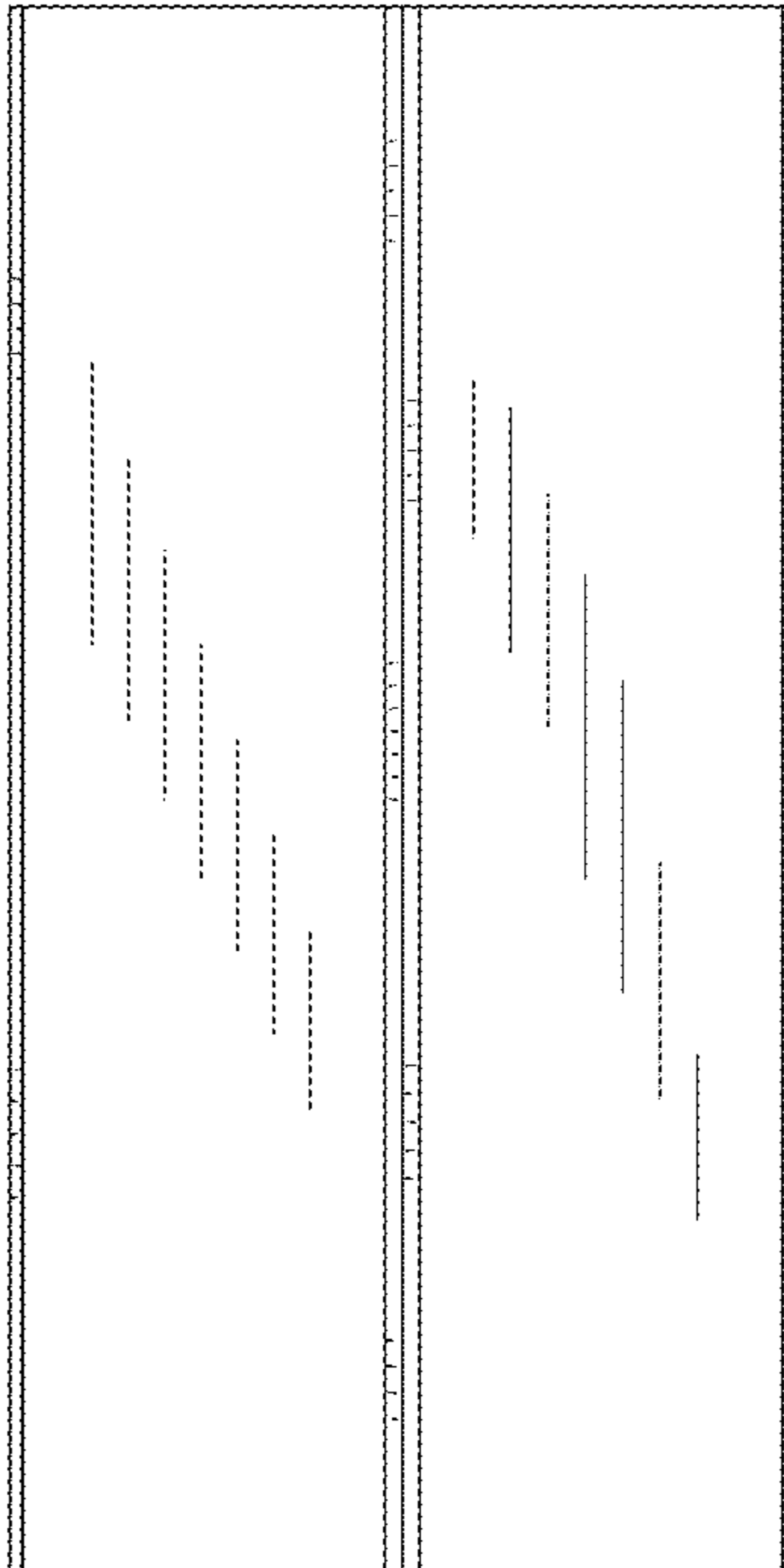


FIG. 5

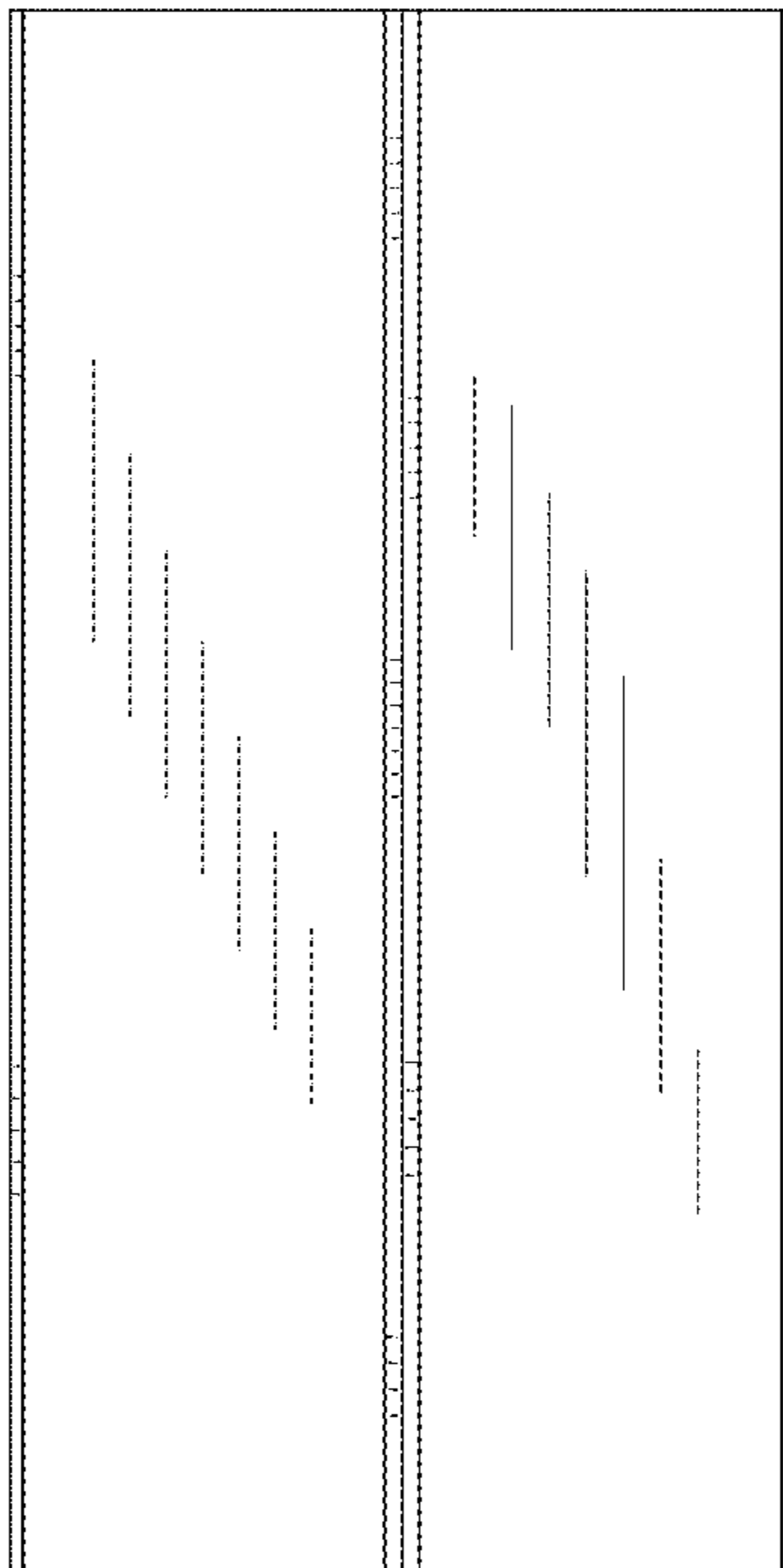


FIG. 6

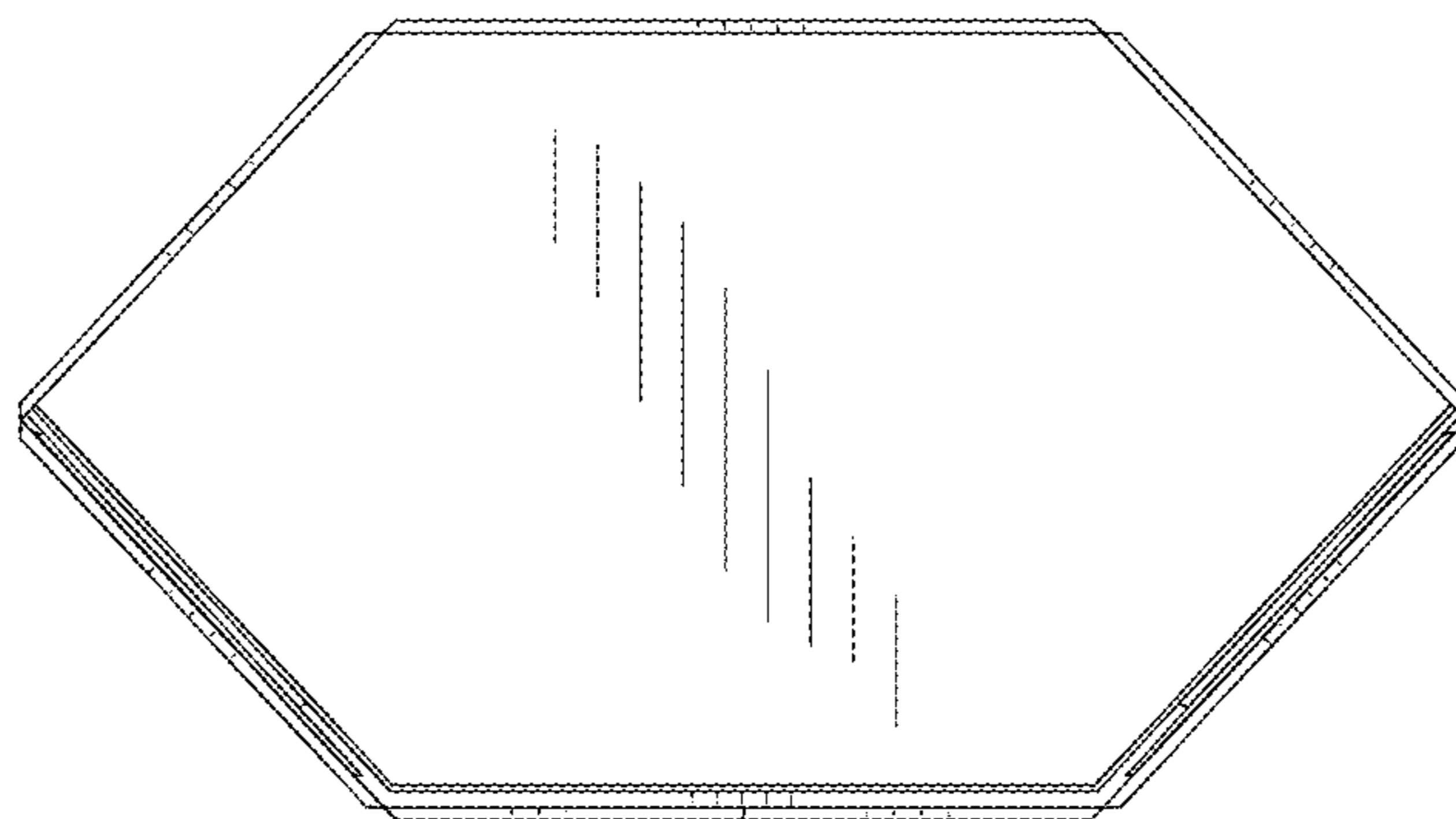


FIG. 7

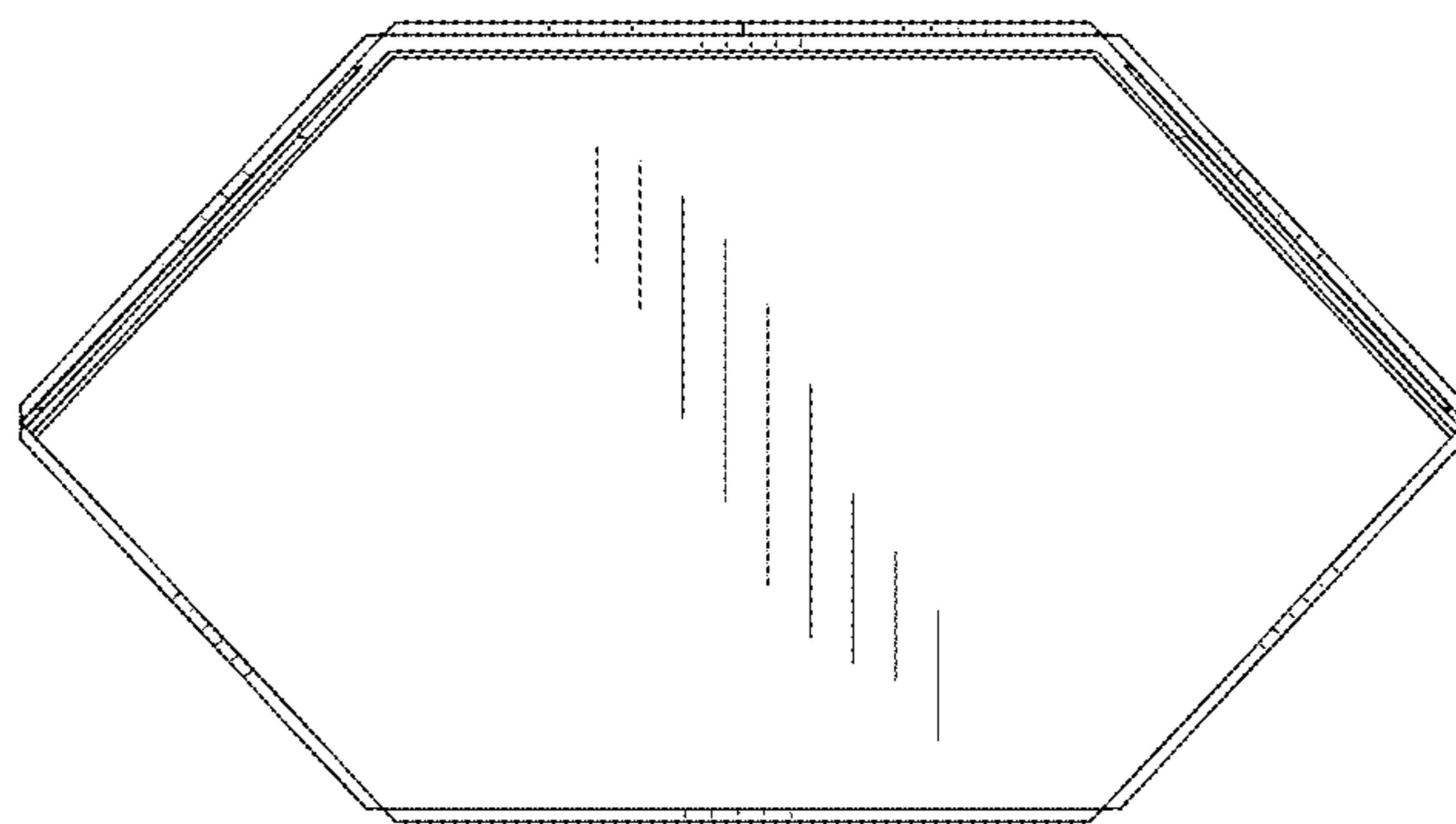


FIG. 8

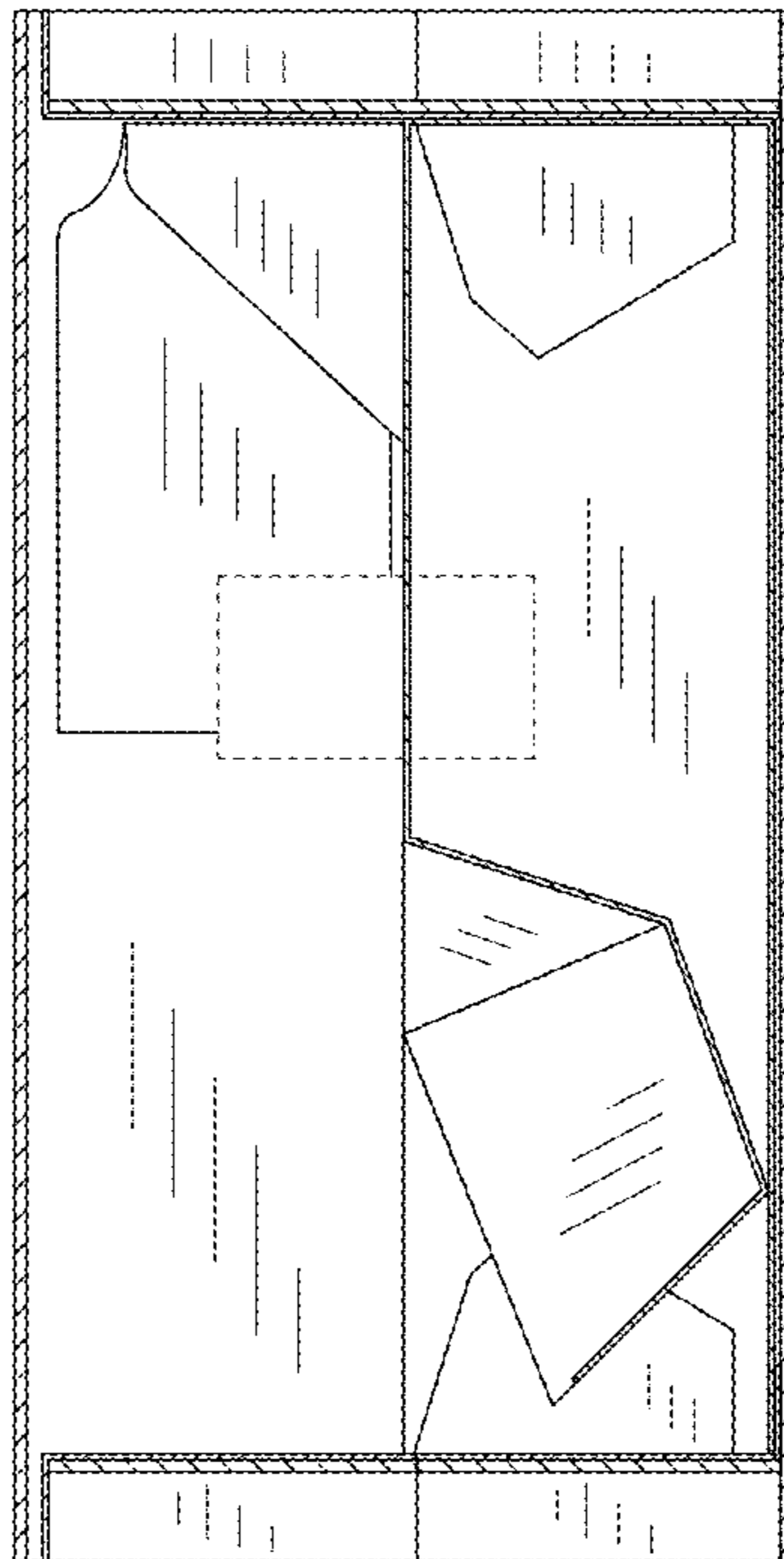


FIG. 9

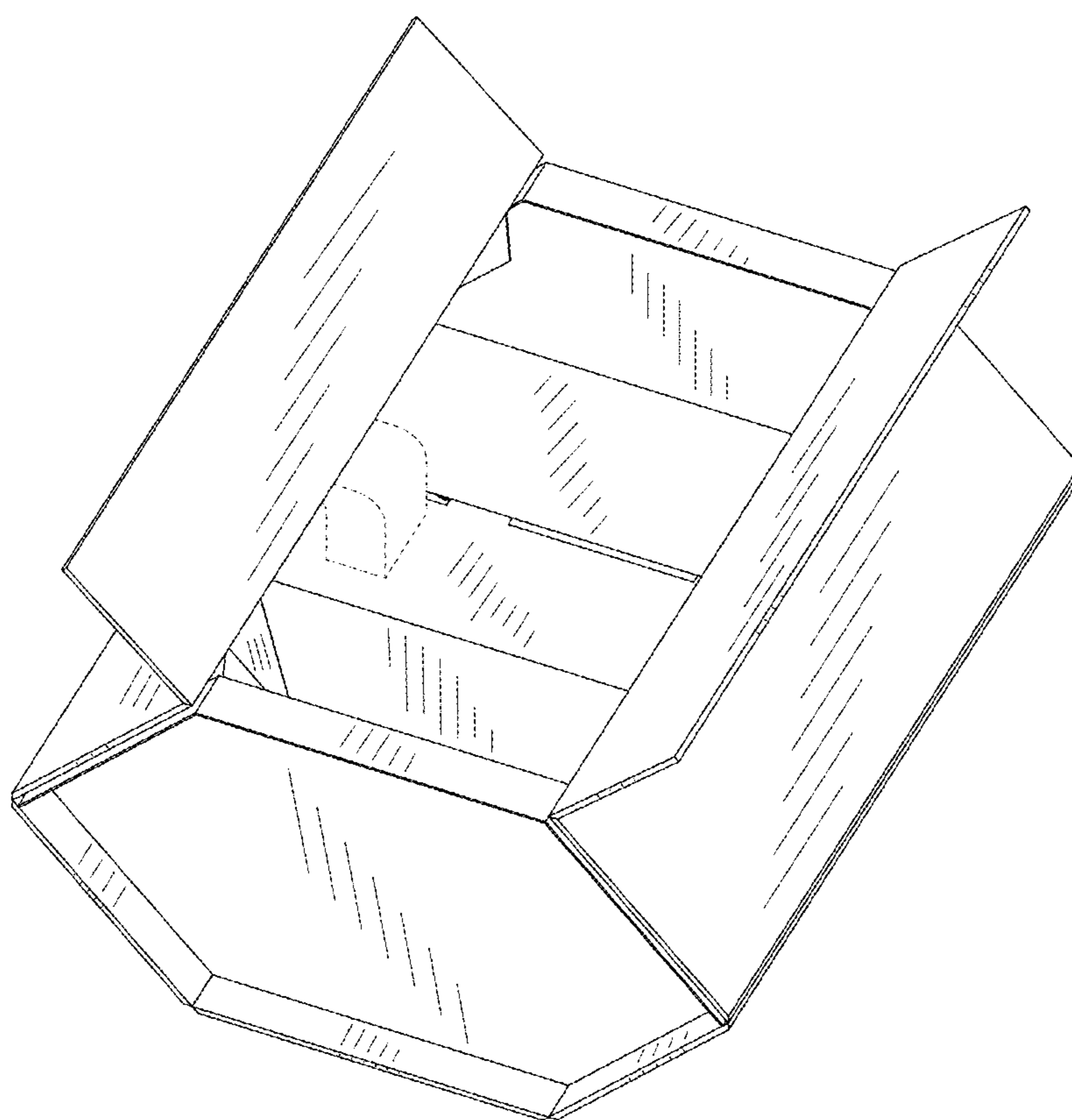


FIG. 10

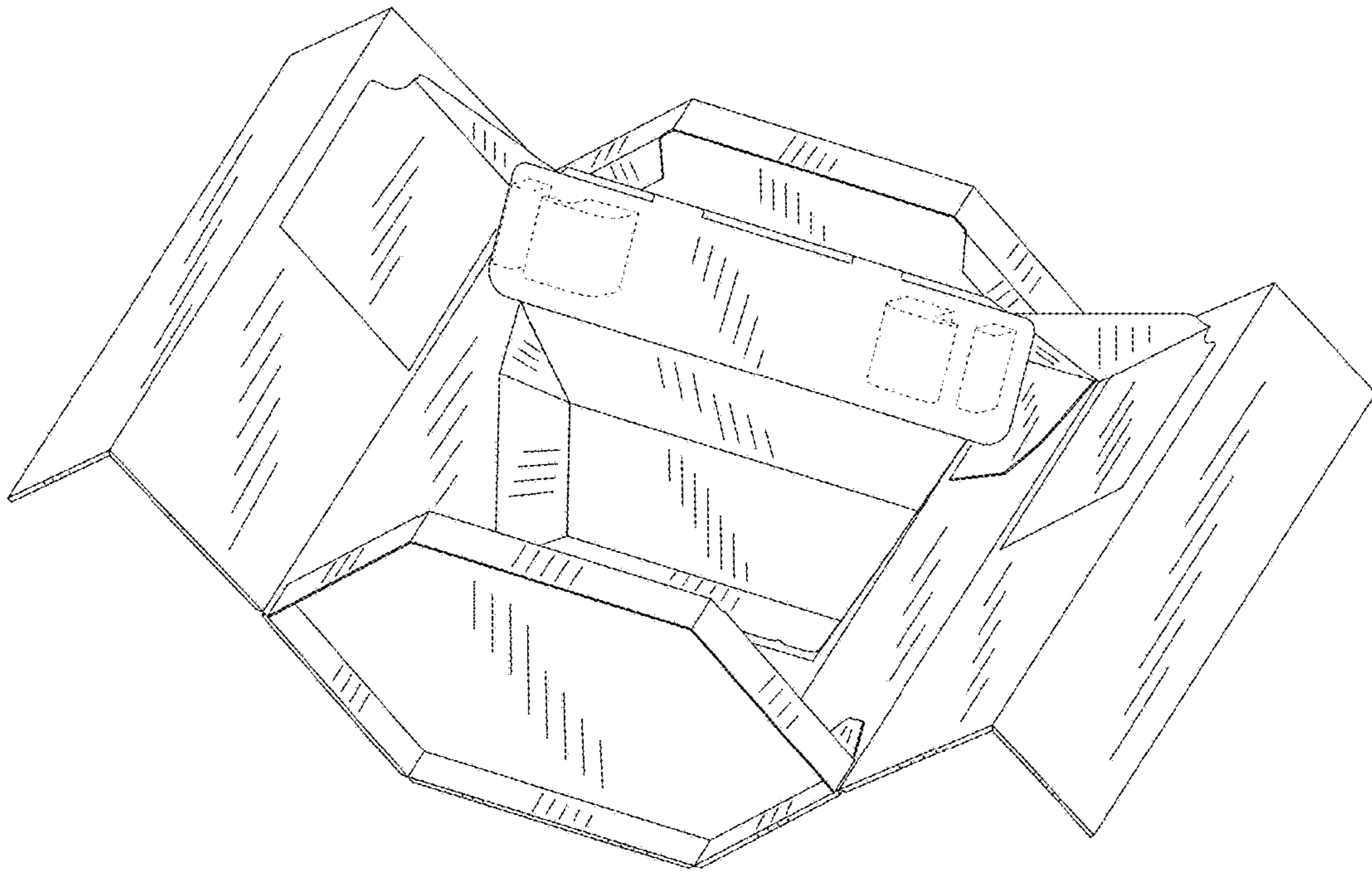


FIG. 11

