



US00D795687S

(12) **United States Design Patent** (10) **Patent No.:** **US D795,687 S**
Pollock (45) **Date of Patent:** **** Aug. 29, 2017**

(54) **PORTABLE FOOD AND BEVERAGE CONTAINER**

(71) Applicant: **Double Decker Carry All, LLC,**
Salem, VA (US)

(72) Inventor: **Christopher Pollock,** Salem, VA (US)

(73) Assignee: **DOUBLE DECKER CARRY ALL, LLC,** Salem, VA (US)

(**) Term: **15 Years**

(21) Appl. No.: **29/551,163**

(22) Filed: **Jan. 11, 2016**

(51) **LOC (10) Cl.** **09-03**

(52) **U.S. Cl.**
USPC **D9/418**

(58) **Field of Classification Search**
USPC D9/418, 416, 414, 711, 721, 739, 415,
D9/751, 757, 702, 433; D7/553.5;
D6/515, 672; D3/269; D14/253;
D23/366; D30/199; 206/232
CPC B65D 5/4204
See application file for complete search history.

(56) **References Cited**

U.S. PATENT DOCUMENTS

3,640,380	A	2/1972	Huffman	
D273,179	S *	3/1984	Shore	D9/418
4,708,248	A	11/1987	Davis	
D297,414	S *	8/1988	Feuerstein	D9/416
D389,739	S *	1/1998	Auclair	D9/418
5,803,264	A	9/1998	Gersten et al.	
5,957,276	A	9/1999	Cutler et al.	
D433,939	S *	11/2000	Humphrey	D9/418
6,237,777	B1 *	5/2001	Bierly	B65D 5/4204 206/232
6,298,992	B1	10/2001	Tsao	
6,443,308	B1	9/2002	Davis	

D498,138	S *	11/2004	Bibi	D9/415
D528,926	S *	9/2006	Blin	D9/751
D537,363	S *	2/2007	Petrucci	D9/721
D558,602	S *	1/2008	Kissner	D9/711
D575,637	S	8/2008	Adams	
D578,388	S *	10/2008	Lymn	D9/757
D592,073	S *	5/2009	Pfotenhauer	D9/702
D610,919	S *	3/2010	James	D9/711
7,708,143	B2	5/2010	Adams	
D620,353	S *	7/2010	Block	D9/433
D621,616	S *	8/2010	Tussy	D3/269
D639,679	S *	6/2011	Kissner	D9/739
D642,934	S *	8/2011	Ly	D9/711
D675,539	S *	2/2013	Biglarians	D9/721
D689,777	S *	9/2013	Castaing	D9/711
D723,023	S *	2/2015	Miles	D14/253
D734,075	S *	7/2015	Tapper	D6/672
D740,652	S *	10/2015	Makhsudova	D9/418

(Continued)

Primary Examiner — Rhea Shields

(74) *Attorney, Agent, or Firm* — Charles S. Sara; DeWitt Ross & Stevens, S.C.

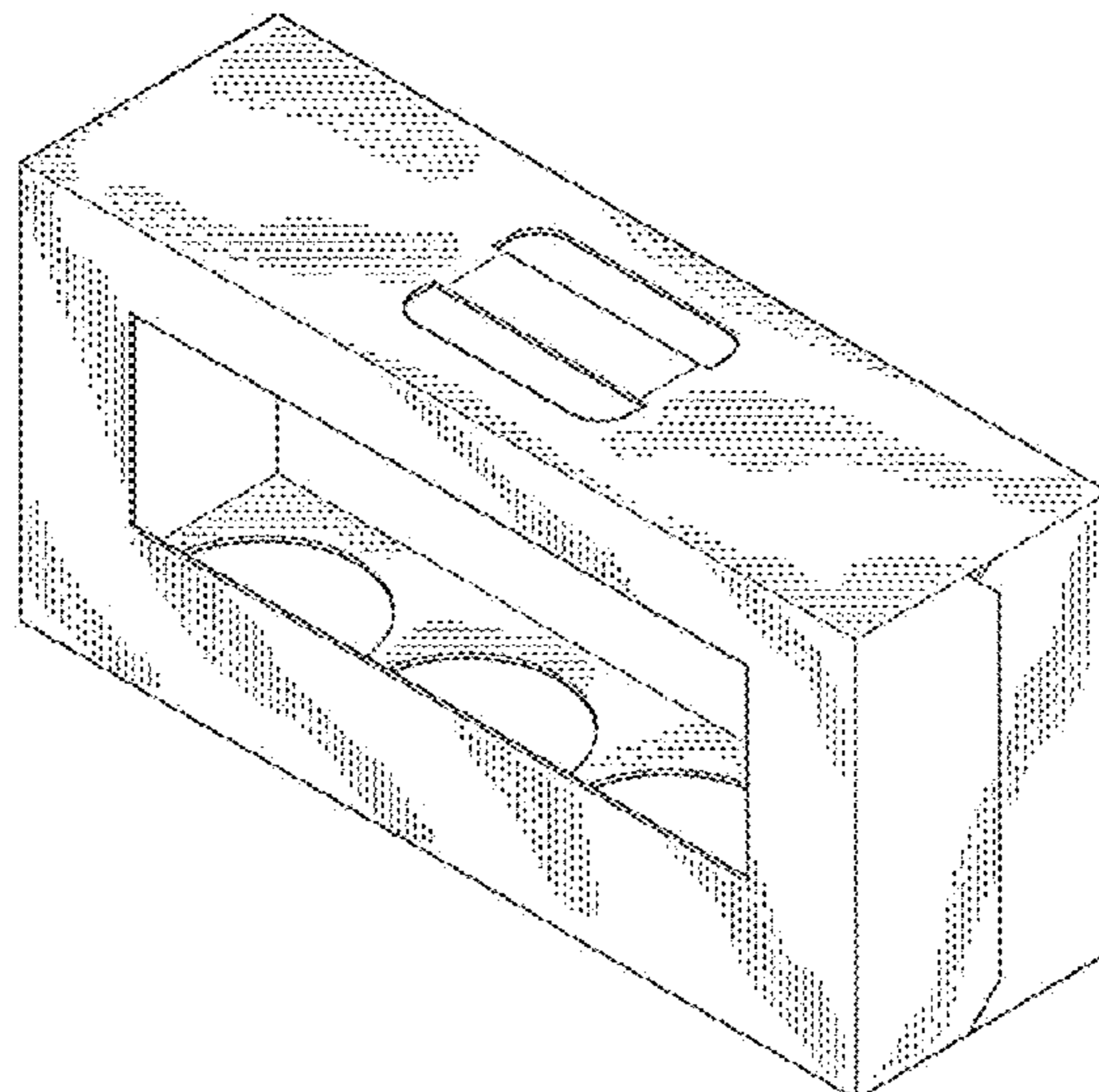
(57) **CLAIM**

The ornamental design for a portable food and beverage container, as shown and described.

DESCRIPTION

FIG. 1 is a front perspective view of the portable food and beverage container showing my design; FIG. 2 is a front elevational view thereof; FIG. 3 is a rear elevational view thereof; FIG. 4 is a right side elevational view thereof; FIG. 5 is a left side elevational view thereof; FIG. 6 is a top plan view thereof; FIG. 7 is a bottom plan view thereof; and, FIG. 8 is an alternative front perspective view thereof. In the drawings, the broken lines are for the purpose of illustrating environment only and form no part of the claimed design.

1 Claim, 5 Drawing Sheets



(56)

References Cited

U.S. PATENT DOCUMENTS

D752,425 S * 3/2016 Parthenis, Jr. D9/414
D756,499 S * 5/2016 Vargas Cervantes D23/366
D758,025 S * 5/2016 Ma D30/199
D758,191 S * 6/2016 Tu D9/414
D759,503 S * 6/2016 Terpko D6/515
D769,675 S * 10/2016 Chavez D7/553.5
D774,898 S * 12/2016 Mayer D9/418
D775,523 S * 1/2017 Platt D9/418
D778,149 S * 2/2017 Frick D9/416
2008/0217207 A1 9/2008 Hall
2009/0230083 A1 9/2009 Metcalfe et al.

* cited by examiner

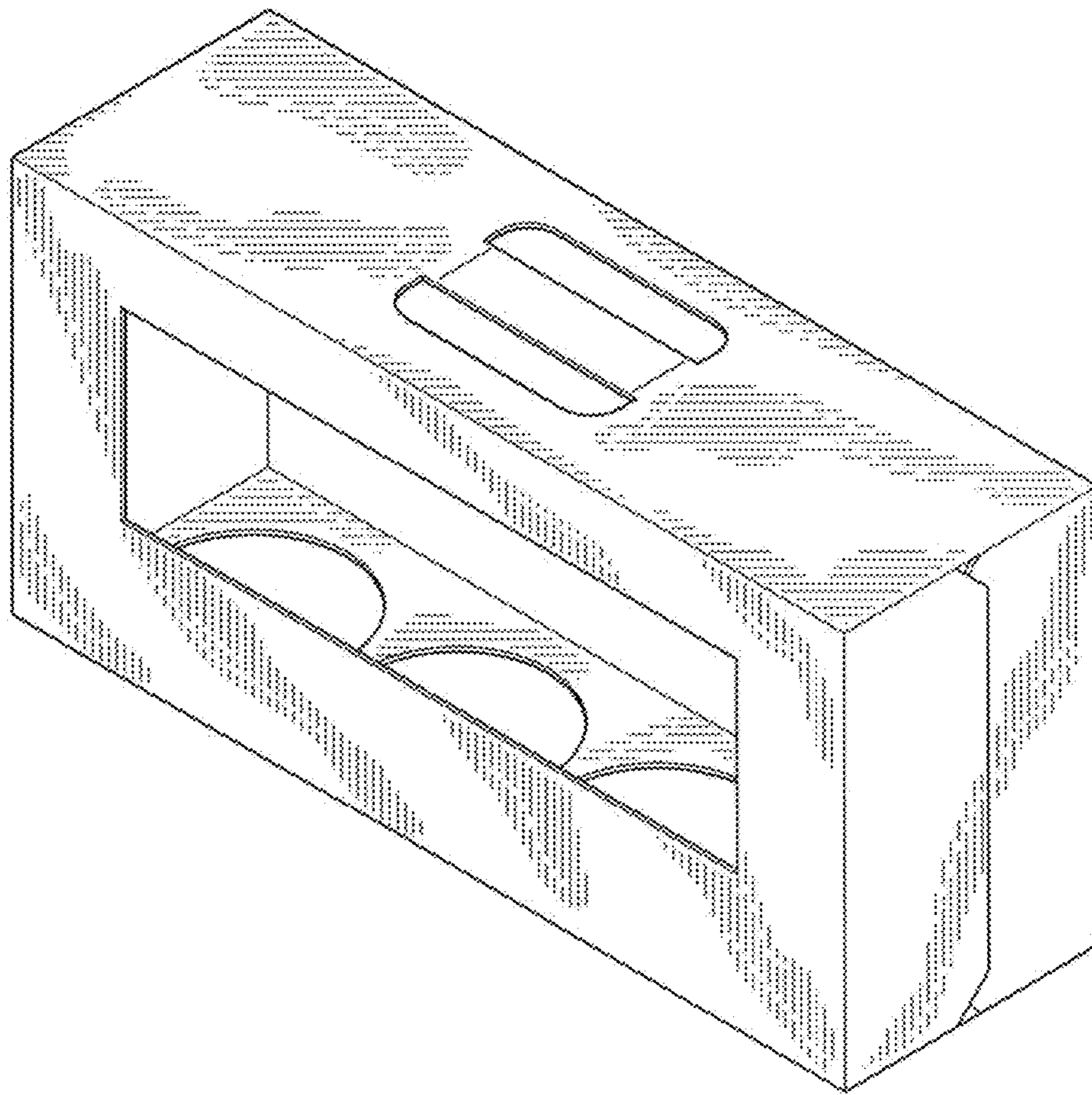


FIG. 1

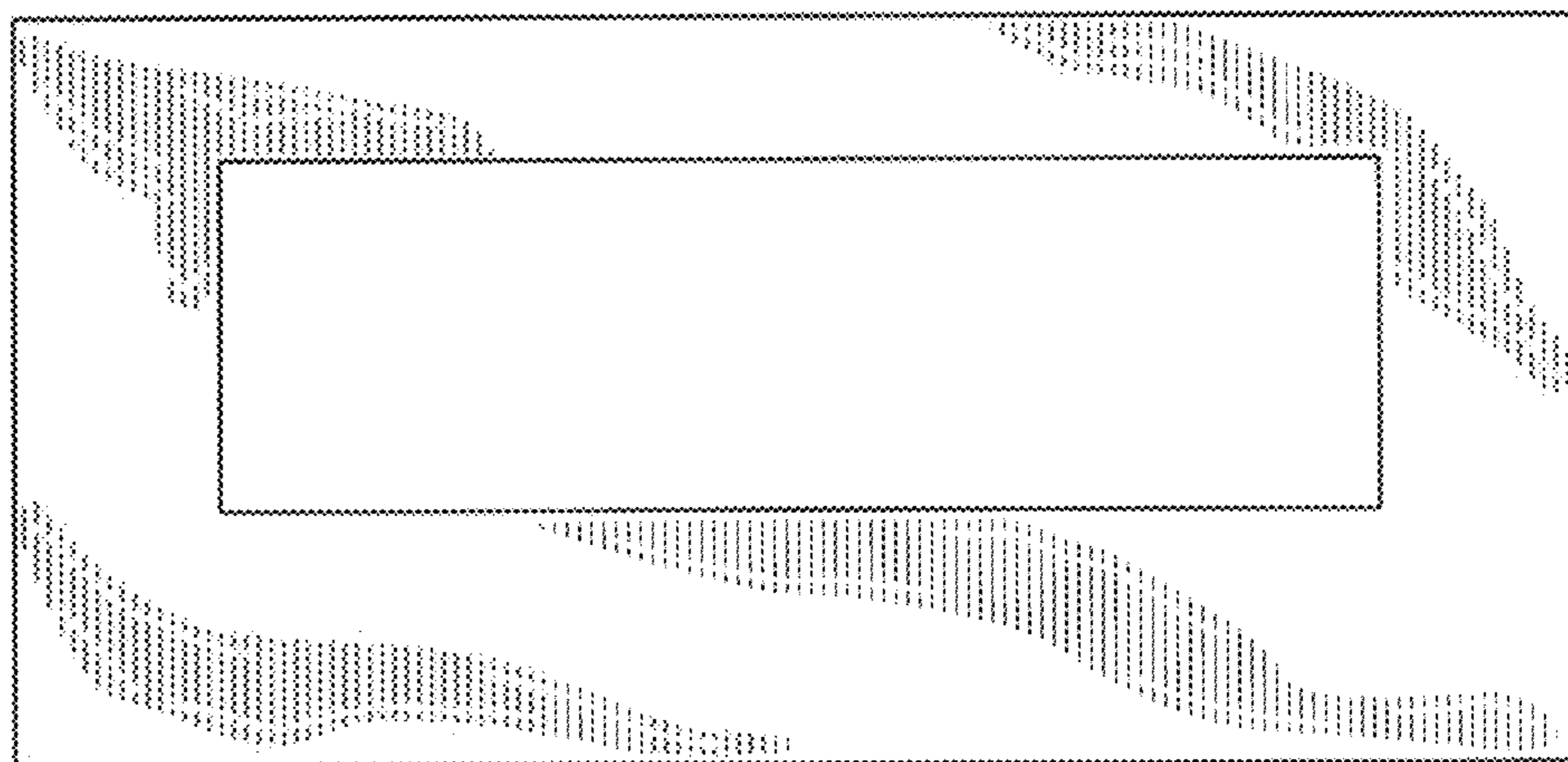


FIG. 2

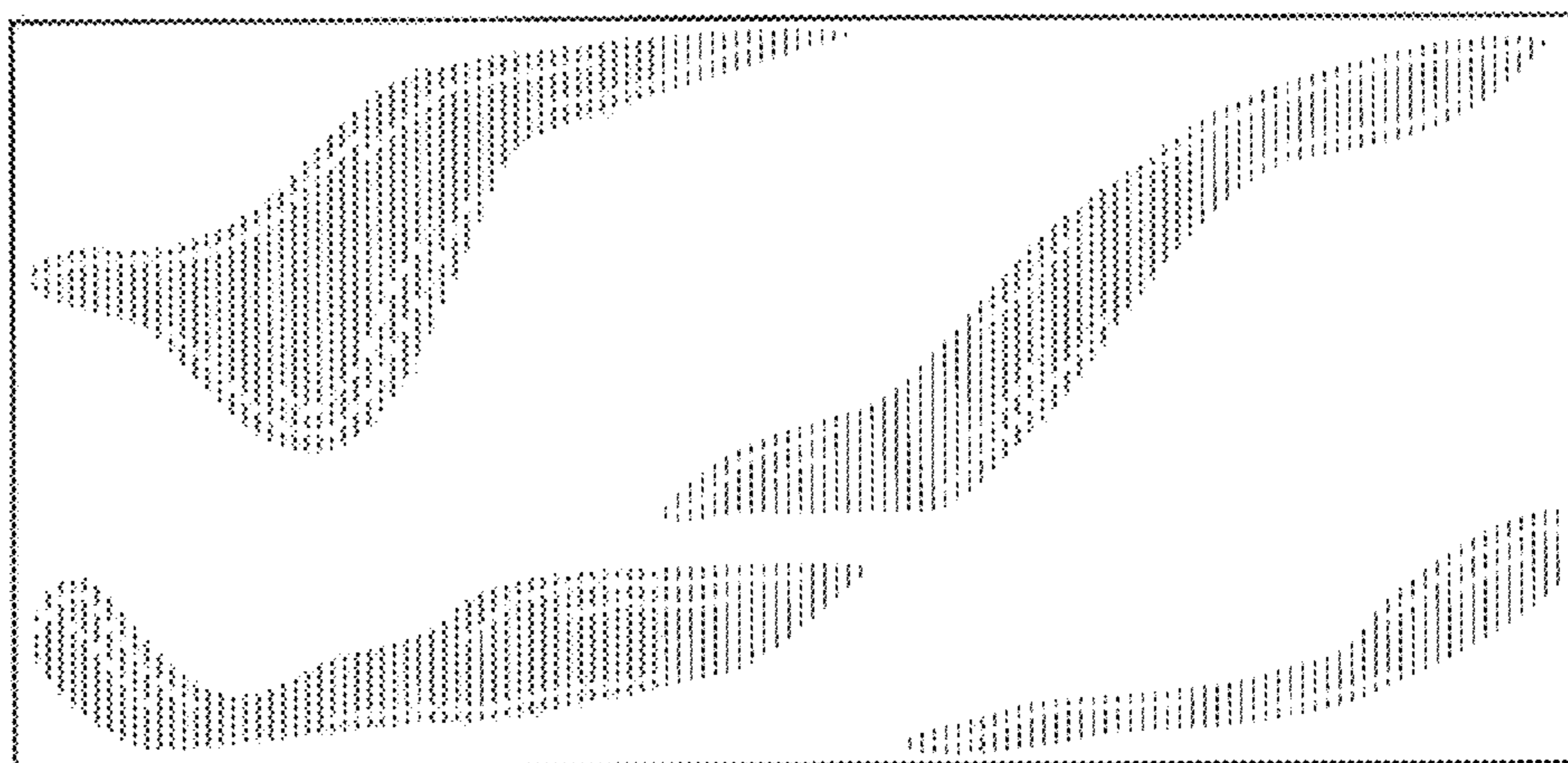


FIG. 3

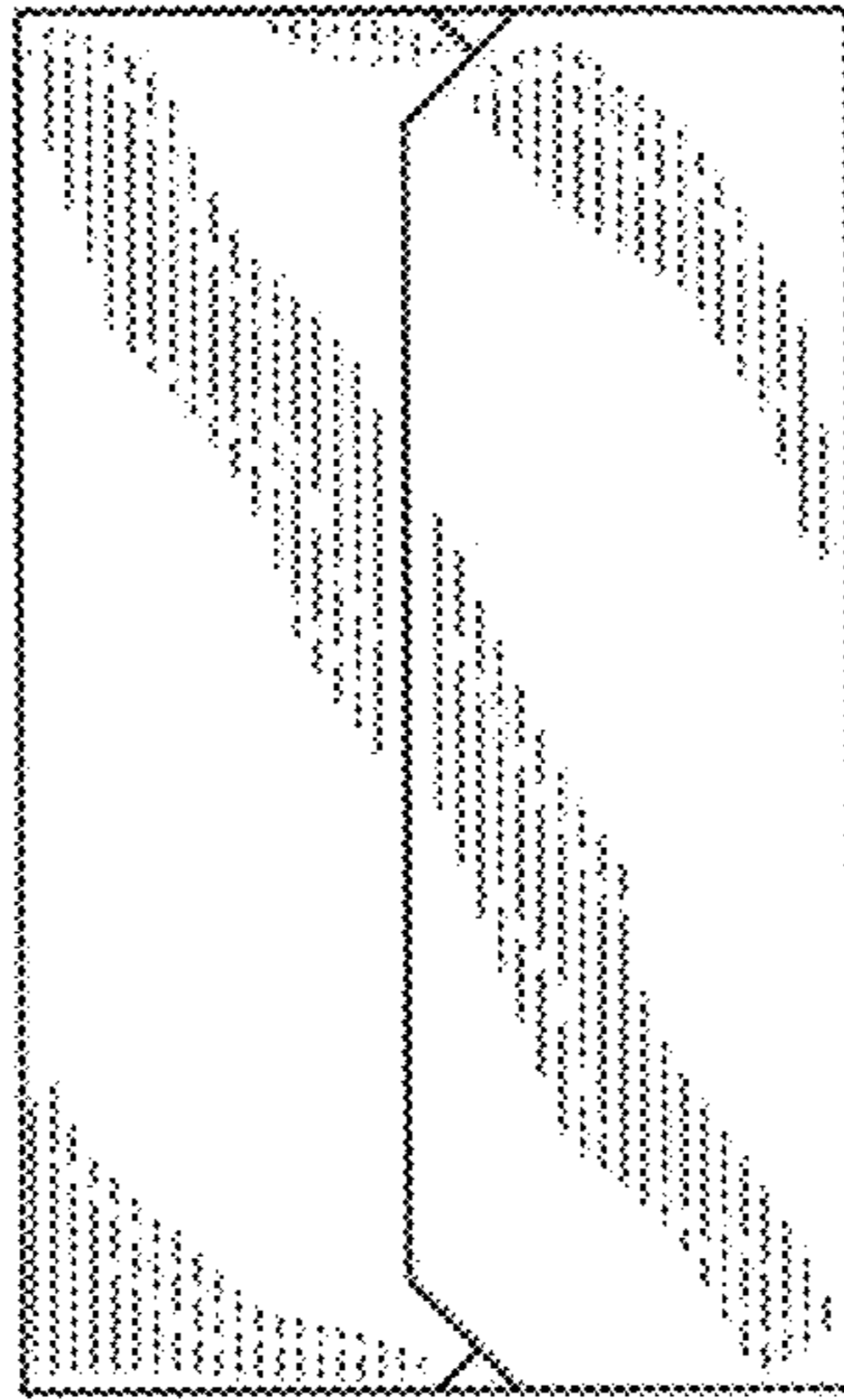


FIG. 4

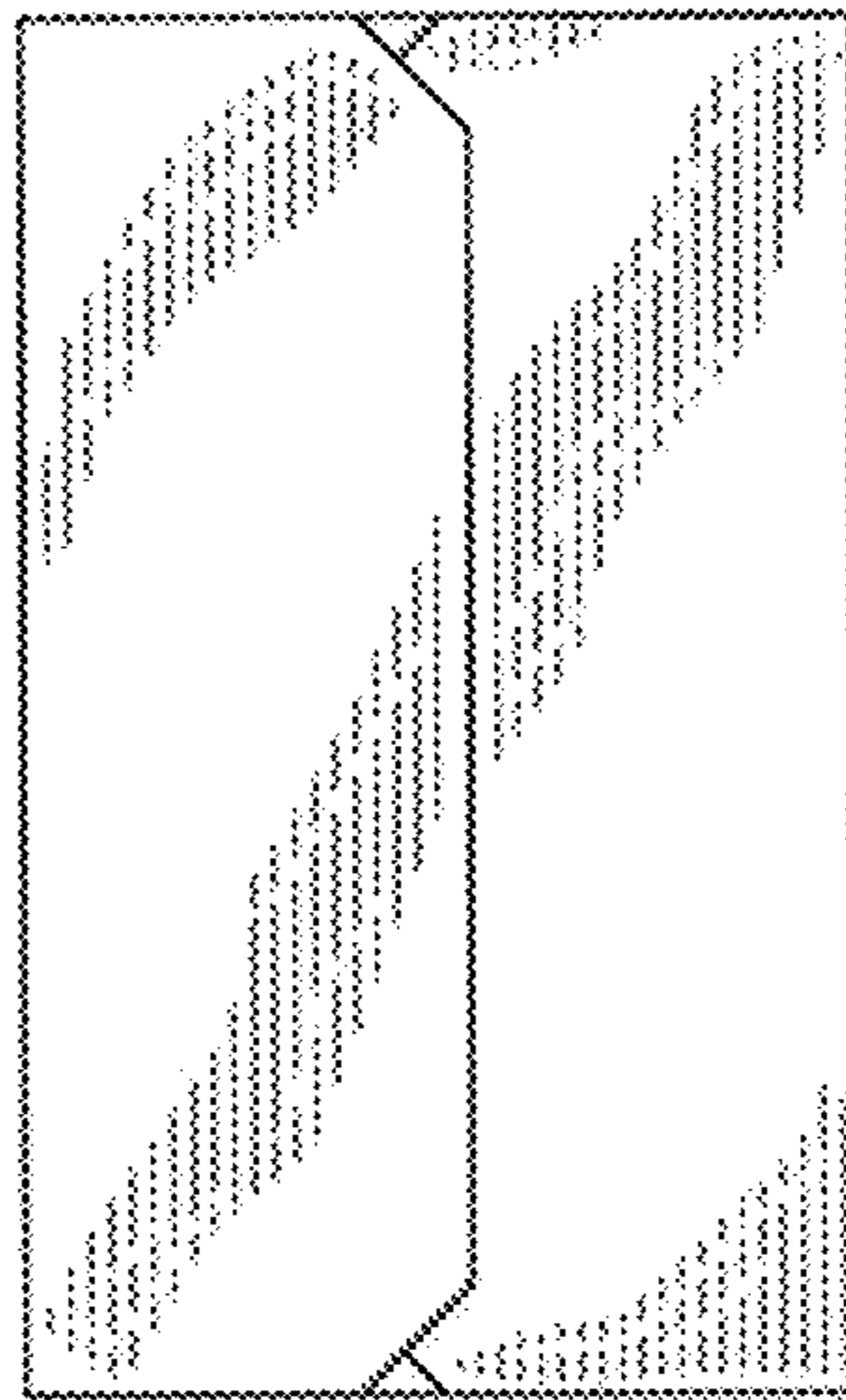


FIG. 5

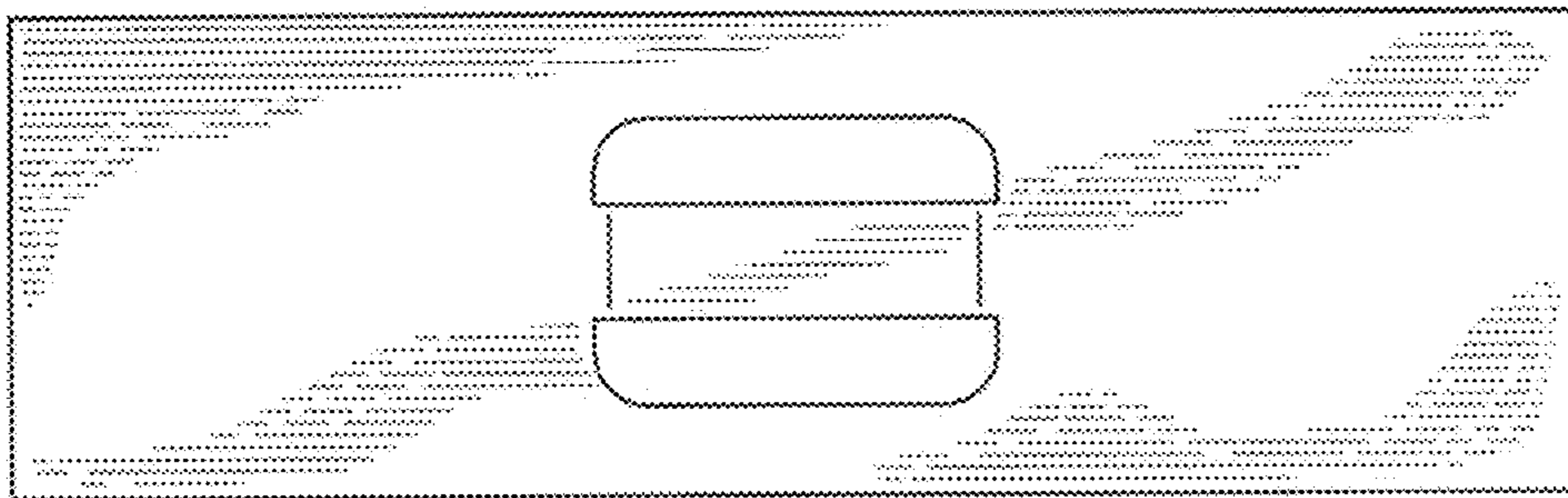


FIG. 6

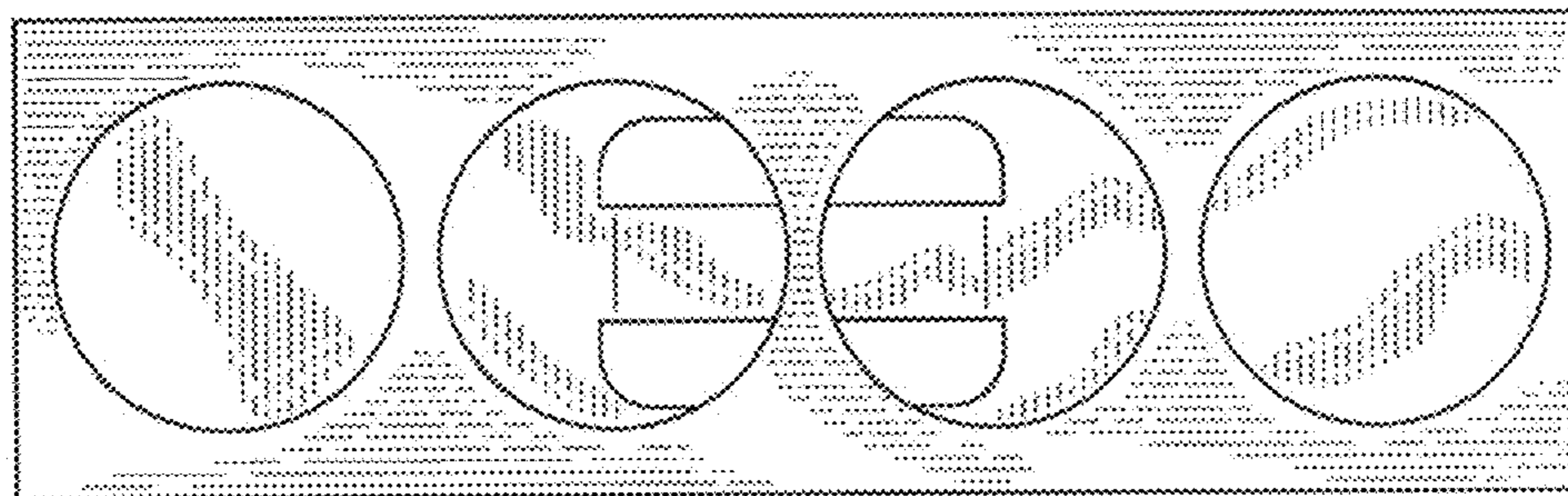


FIG. 7

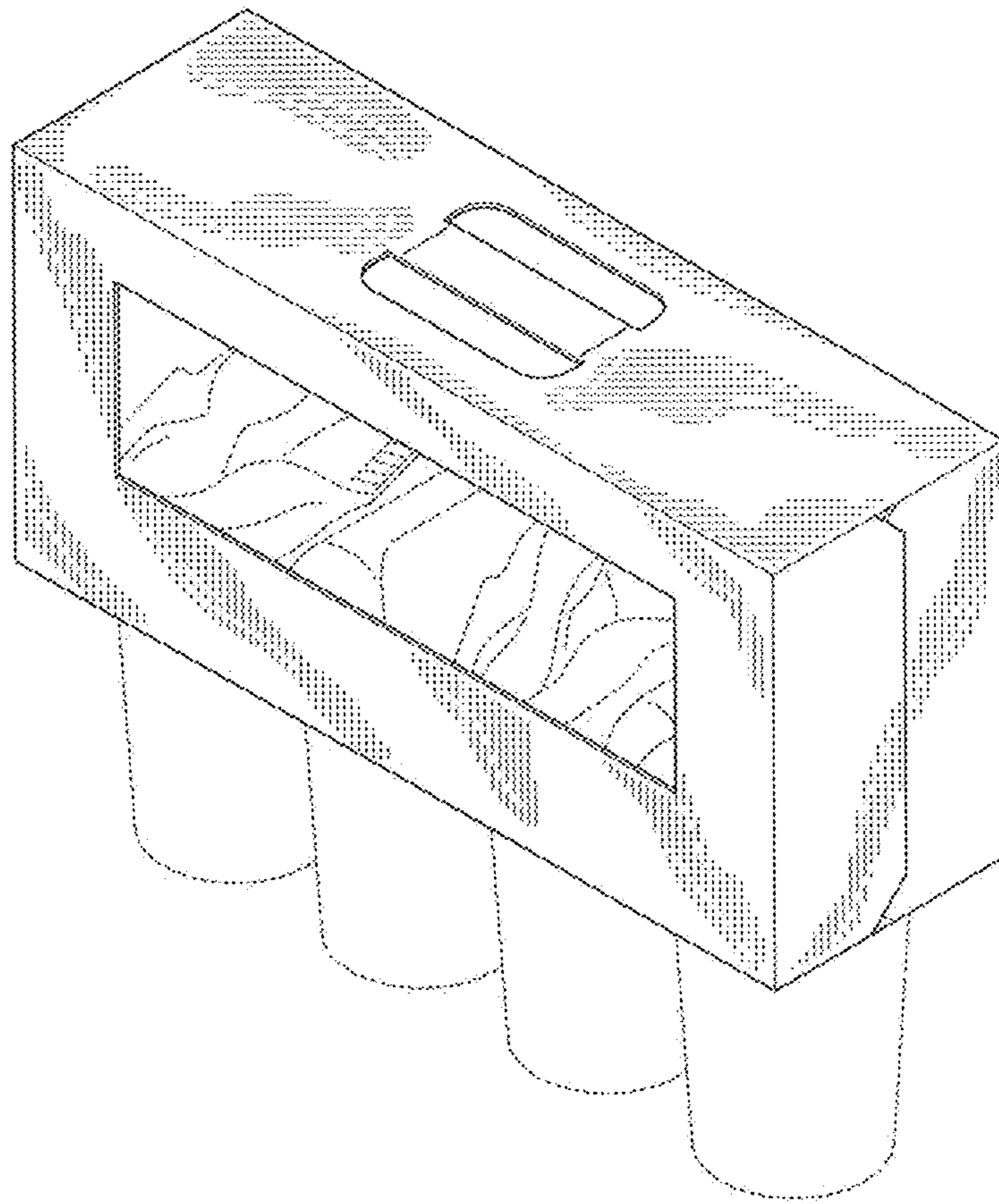


FIG. 8