



US00D795686S

(12) **United States Design Patent** (10) **Patent No.:** **US D795,686 S**
Mohn et al. (45) **Date of Patent:** **** Aug. 29, 2017**

(54) **PACKAGE**

(71) Applicant: **IPI S.R.L.**, San Sisto (PG) (IT)
(72) Inventors: **Arne Mohn**, Rome (IT); **Luca Moroni**, Perugia (IT)
(73) Assignee: **IPI S.R.L.**, San Sisto (IT)
(**) Term: **15 Years**
(21) Appl. No.: **29/547,782**

5,938,107 A 8/1999 Anchor et al.
D460,355 S 7/2002 Lenz et al.
D464,566 S * 10/2002 Anchor D9/432
D473,464 S * 4/2003 Anchor D9/432
D494,861 S * 8/2004 Guidotti D9/431
D521,373 S 5/2006 Stanton
7,523,853 B2 4/2009 Kortsmit et al.
D624,404 S 9/2010 Darbonne
D634,625 S * 3/2011 Wallace D9/433
D635,018 S 3/2011 Wallace et al.
D668,539 S 10/2012 Barbieri et al.
D677,565 S 3/2013 Barbieri et al.
D691,882 S 10/2013 Barbieri et al.

(Continued)

(22) Filed: **Dec. 8, 2015**

Related U.S. Application Data

(62) Division of application No. 29/484,568, filed on Mar. 11, 2014, now Pat. No. Des. 748,470.

Primary Examiner — Vy Koenig

(74) *Attorney, Agent, or Firm* — Pearne & Gordon LLP

(30) **Foreign Application Priority Data**

Sep. 11, 2013 (EM) 001383210-0008
Sep. 11, 2013 (EM) 001383210-0010
Sep. 11, 2013 (EM) 001383210-0020
Sep. 11, 2013 (EM) 001383210-0022

(57) **CLAIM**

The ornamental design for a package, as shown and described.

(51) **LOC (10) Cl.** **09-03**

(52) **U.S. Cl.**
USPC **D9/417; D9/432**

DESCRIPTION

(58) **Field of Classification Search**
USPC D9/414–418, 420–427, 430–434;
D3/270, 272, 273; D7/213, 601, 602
CPC B65D 5/00–5/02; B65D 5/0209–5/0272;
B65D 5/029; B65D 5/40; B65D 5/72;
B65D 5/727; B65D 31/10–31/18; B65D
35/04; B65D 35/56; B65D 67/00; B65D
81/36; B65D 81/60; B65D 81/368
See application file for complete search history.

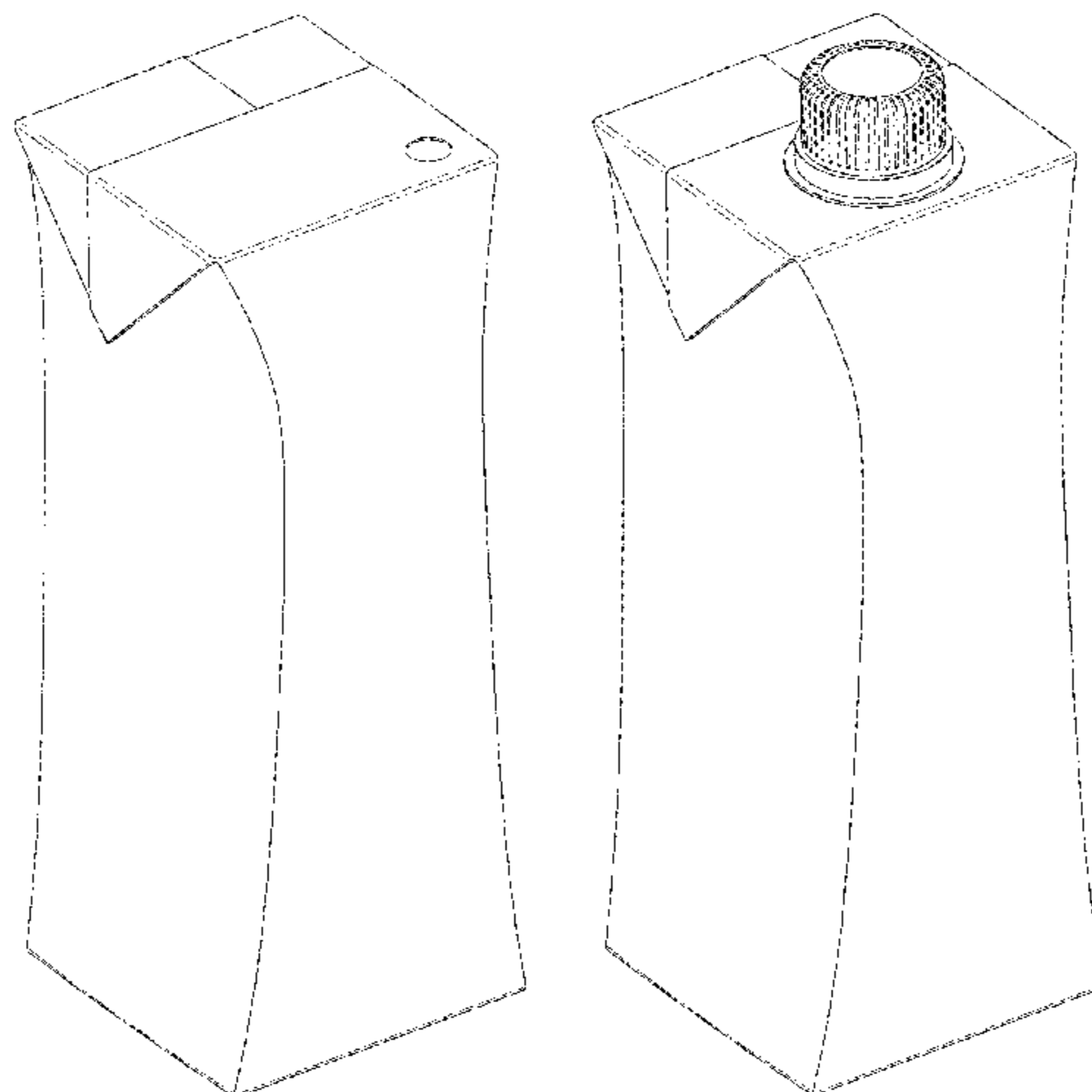
FIG. 1 is a front-left perspective view of a first embodiment of a package, showing our new design;
FIG. 2 is a front elevational view thereof;
FIG. 3 is a right side elevational view thereof;
FIG. 4 is a left side elevational view thereof;
FIG. 5 is a back elevational view thereof;
FIG. 6 is a top plan view thereof;
FIG. 7 is a bottom plan view thereof;
FIG. 8 is a front-left perspective view of a second embodiment of a package, according to the invention;
FIG. 9 is a front elevational view thereof;
FIG. 10 is a right side elevational view thereof;
FIG. 11 is a left side elevational view thereof;
FIG. 12 is a back elevational view thereof;
FIG. 13 is a top plan view thereof; and,
FIG. 14 is a bottom plan view thereof.

(56) **References Cited**

U.S. PATENT DOCUMENTS

D182,383 S 3/1958 Samsing
D357,179 S * 4/1995 Nedstedt D9/417

1 Claim, 14 Drawing Sheets



(56)

References Cited

U.S. PATENT DOCUMENTS

D702,117 S	4/2014	Dagnino	
D714,638 S	10/2014	Mohn et al.	
D721,576 S	1/2015	De Pietri Tonelli et al.	
D734,144 S	7/2015	Sanfilippo et al.	
D748,470 S *	2/2016	Mohn	D9/432
D764,283 S *	8/2016	Mohn	D9/432
D764,284 S *	8/2016	Mohn	D9/432
2011/0192118 A1	8/2011	Kaneko	

* cited by examiner

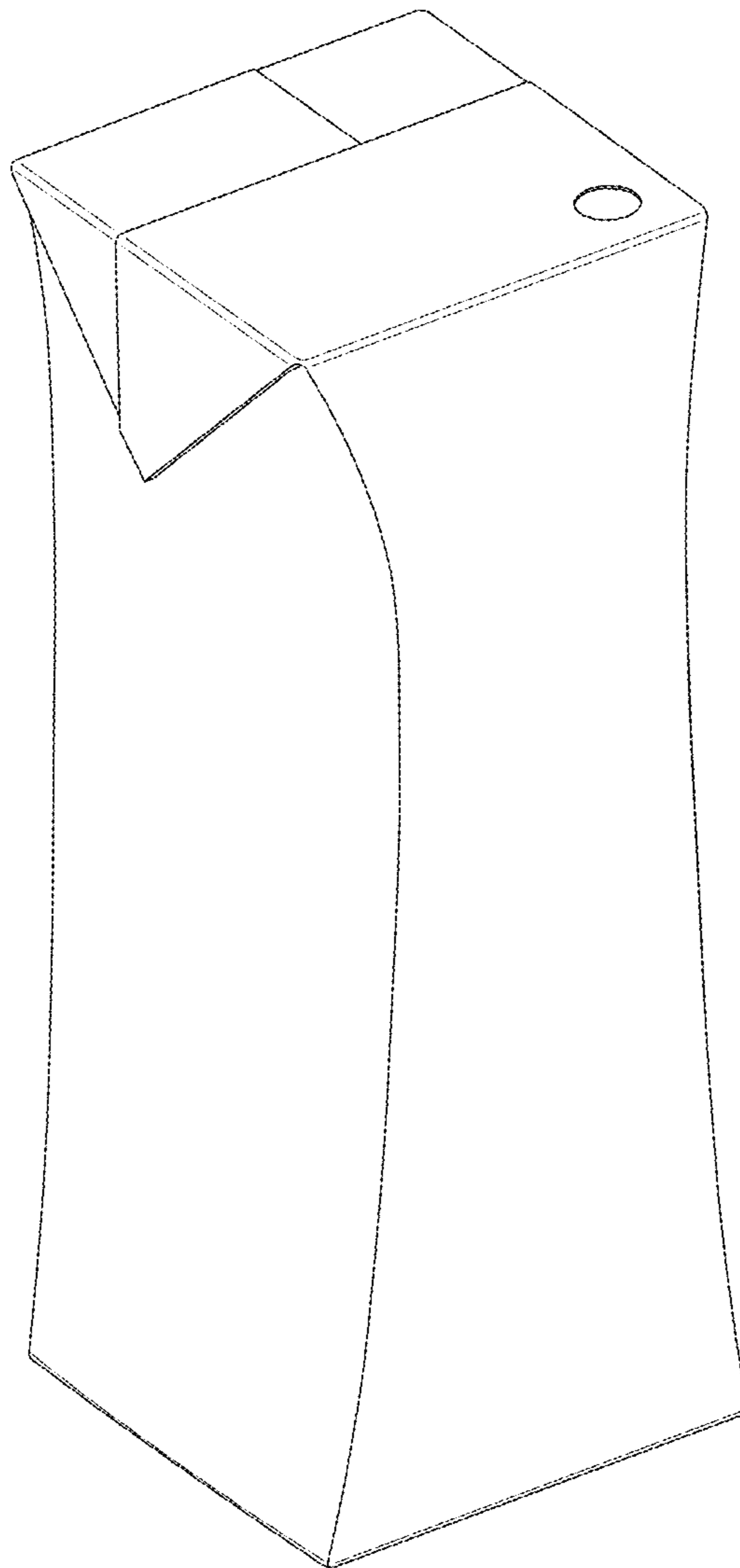


FIG. 1

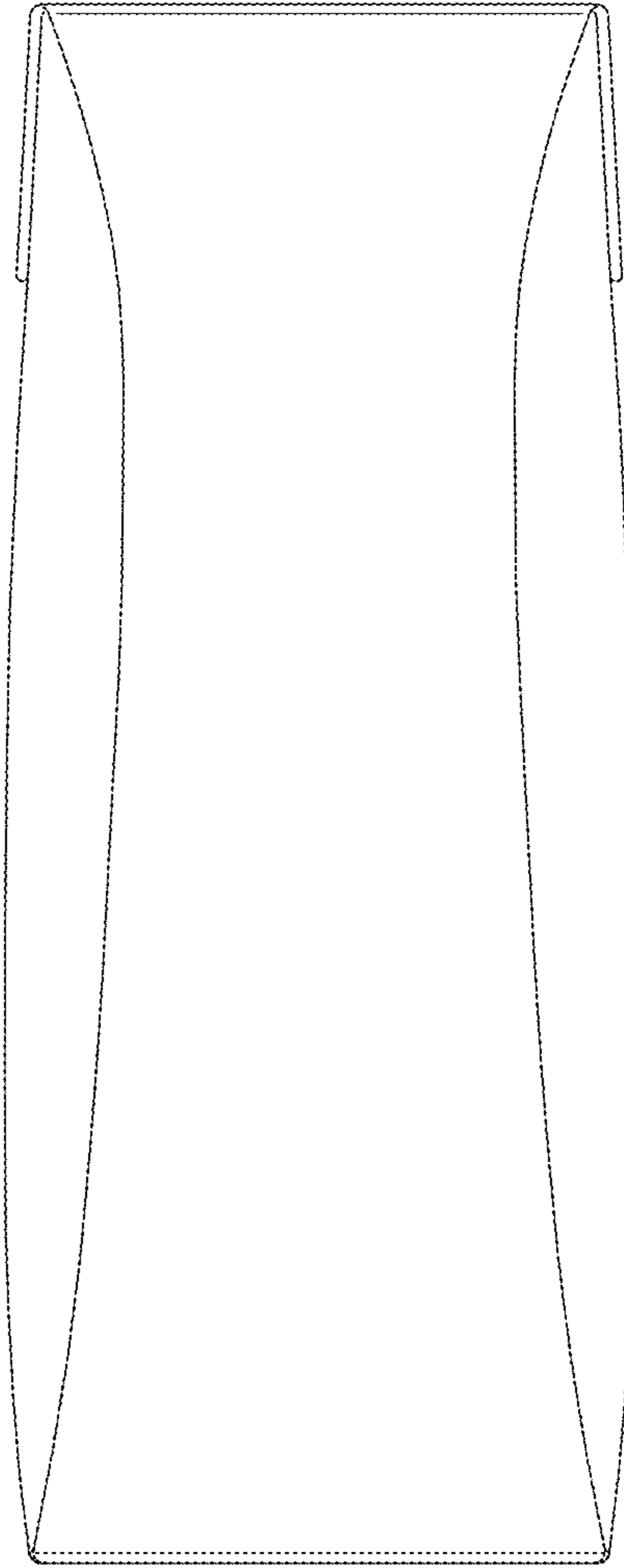


FIG. 2

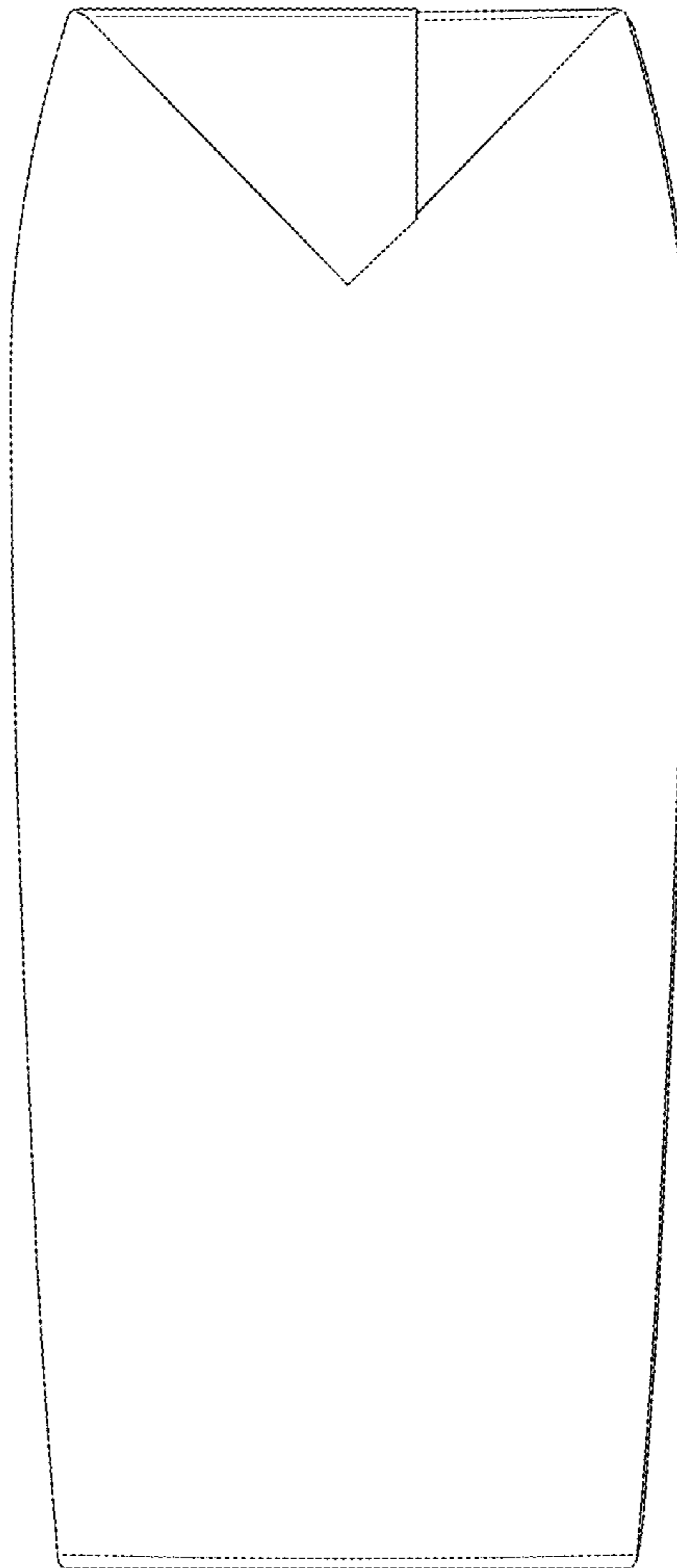


FIG. 3

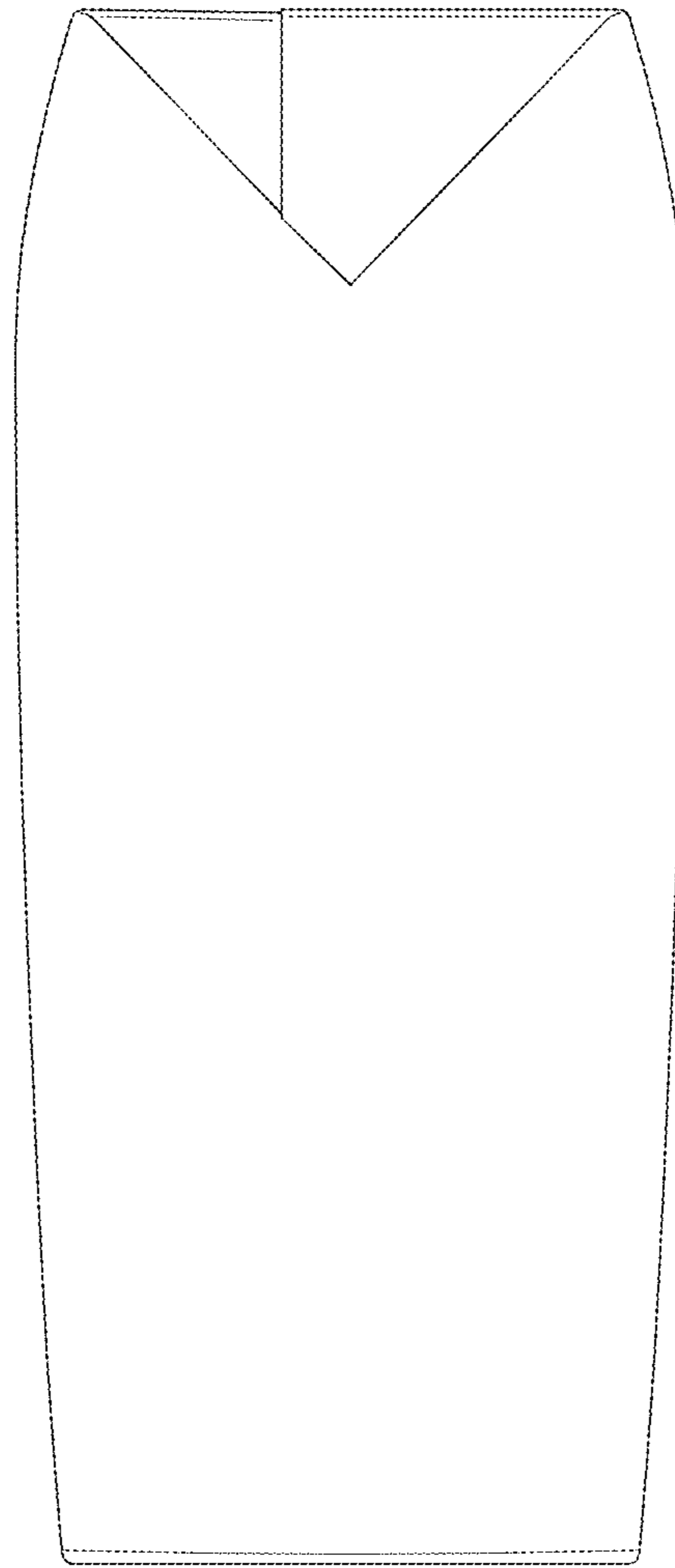


FIG. 4

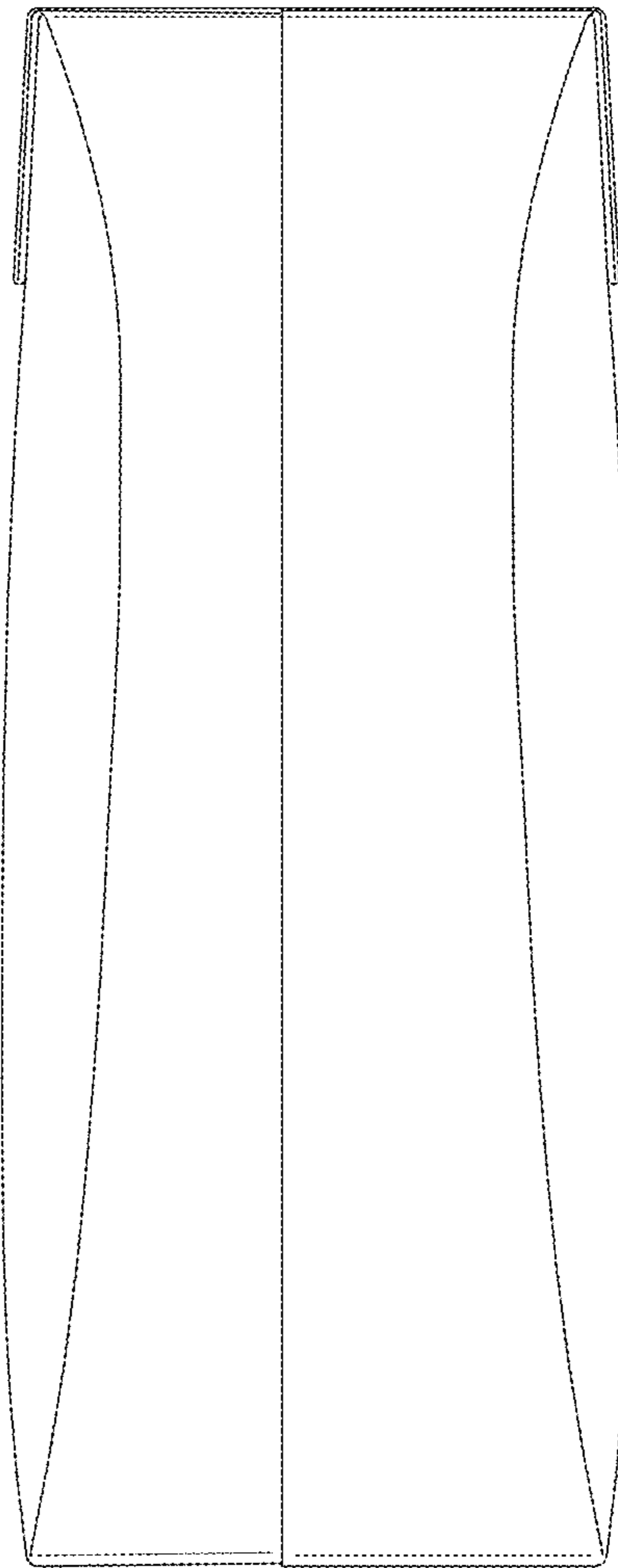


FIG. 5

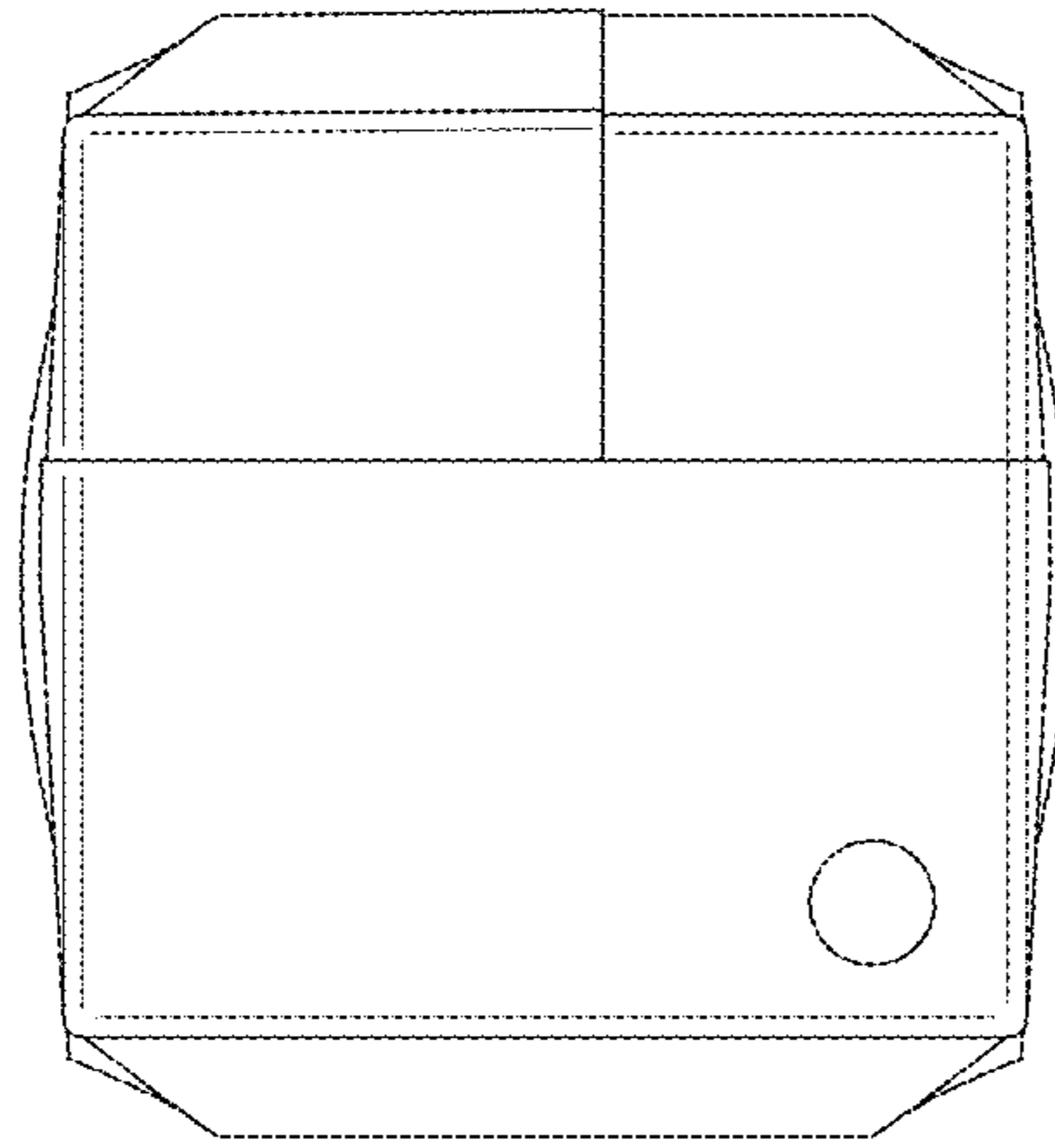


FIG. 6

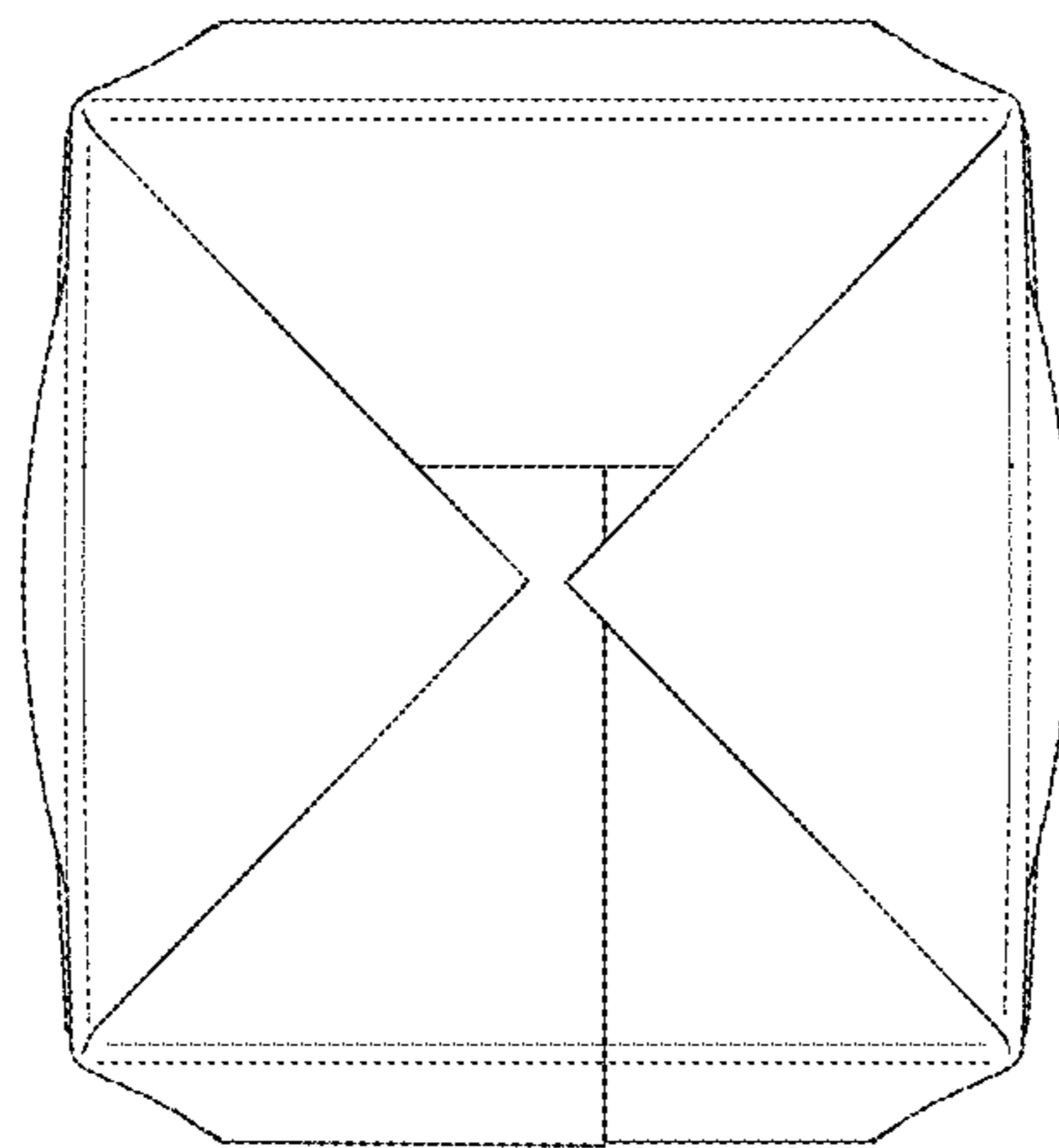


FIG. 7

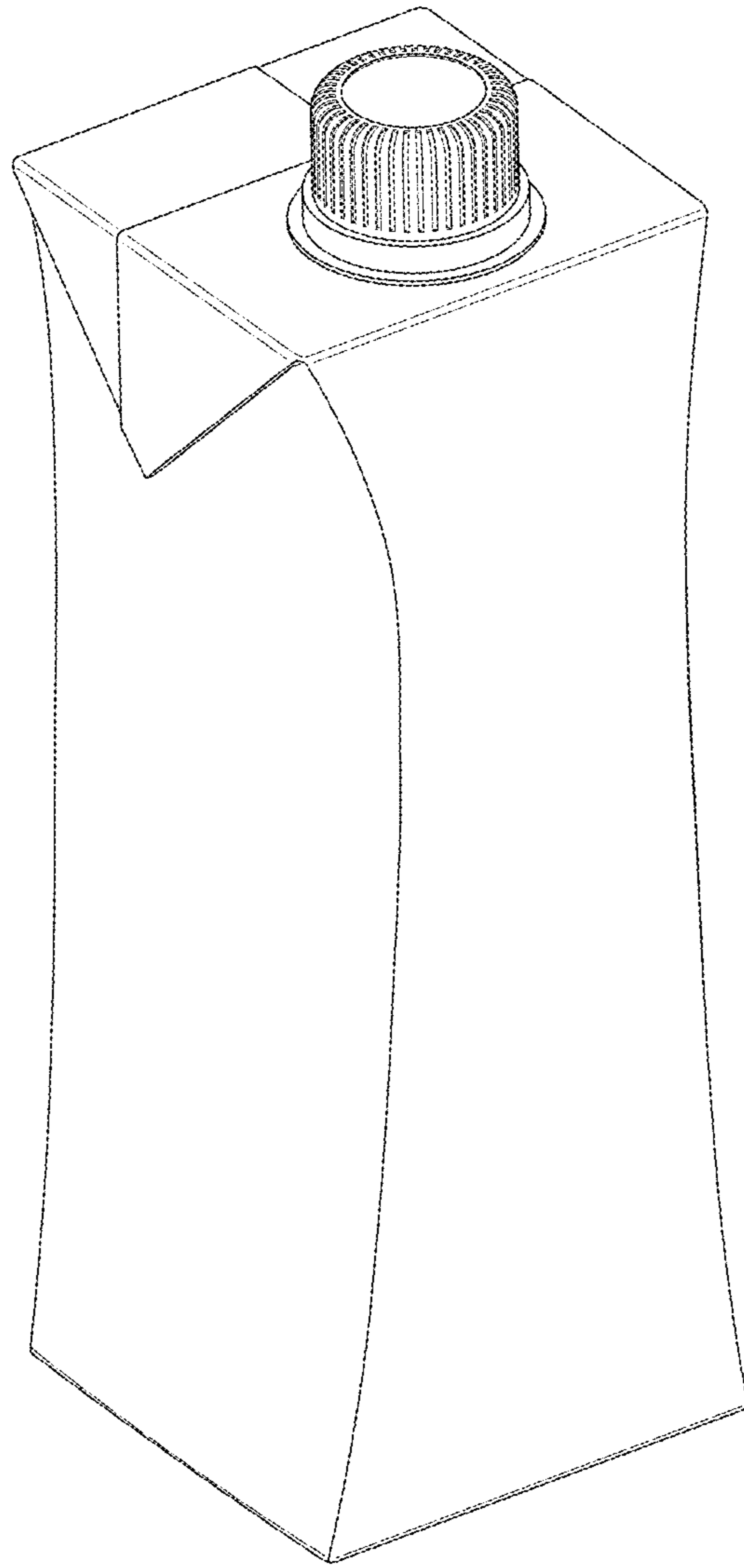


FIG. 8

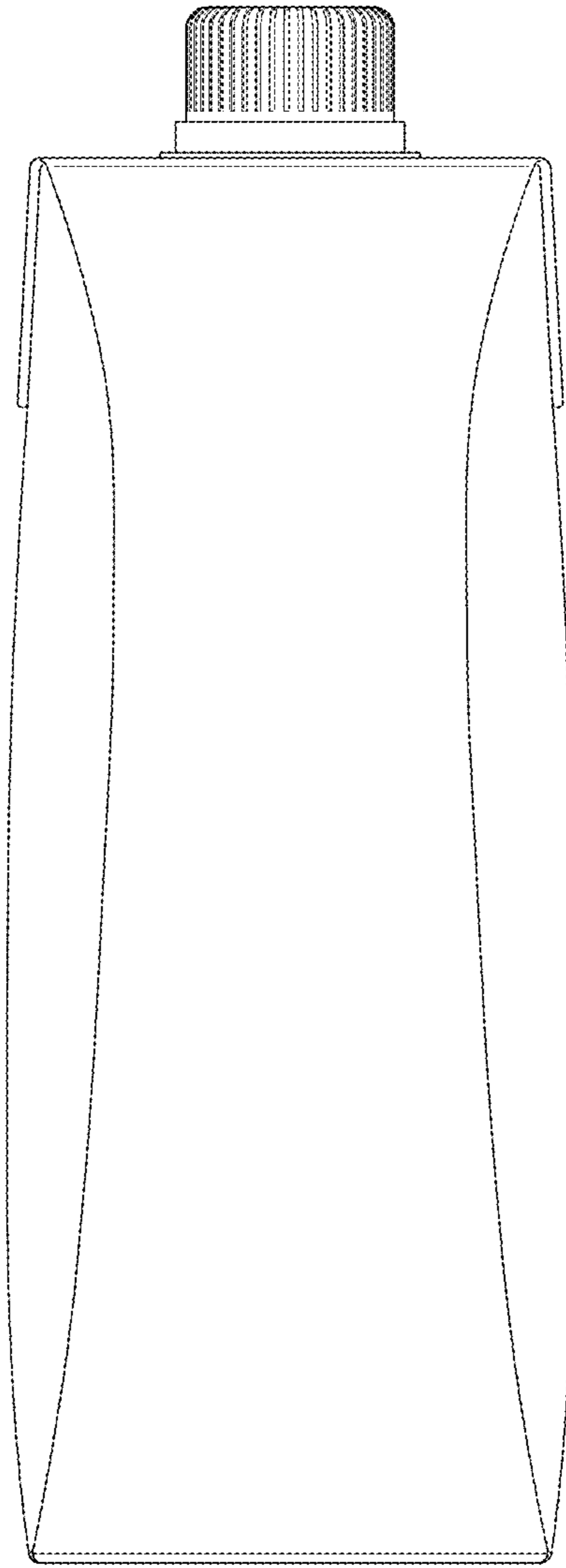


FIG. 9

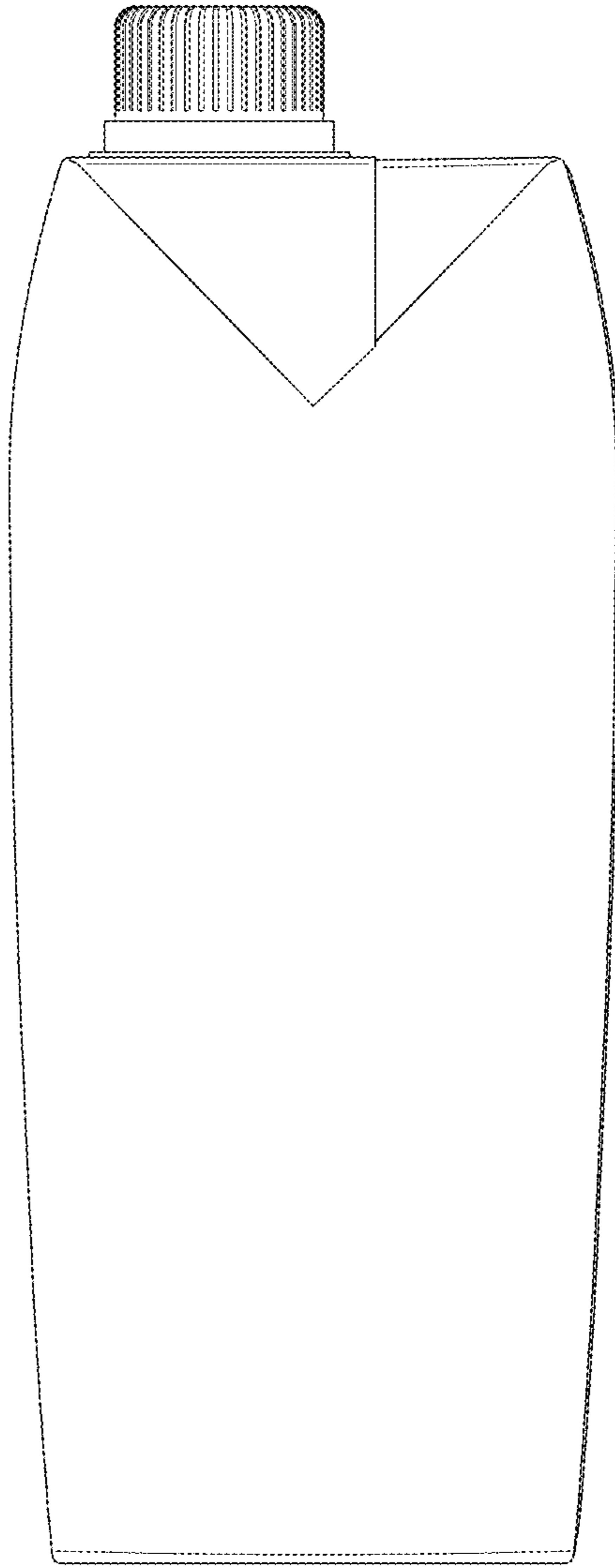


FIG. 10

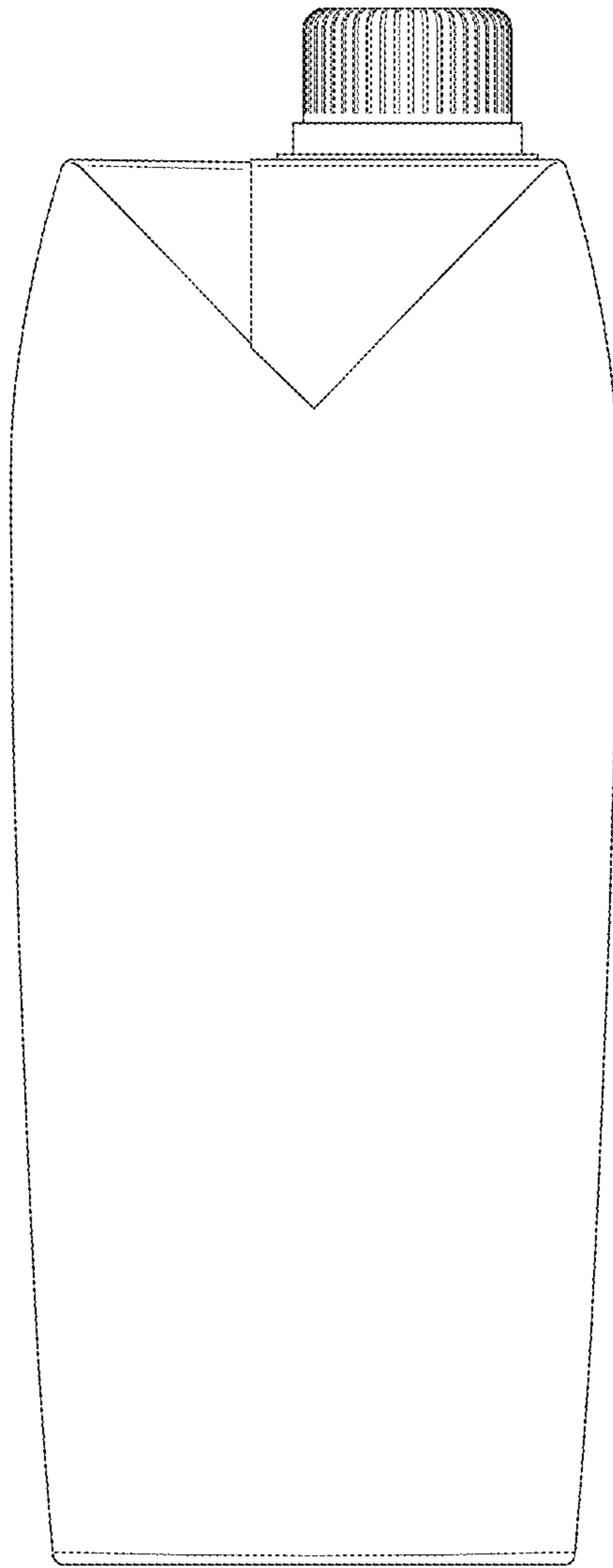


FIG. 11

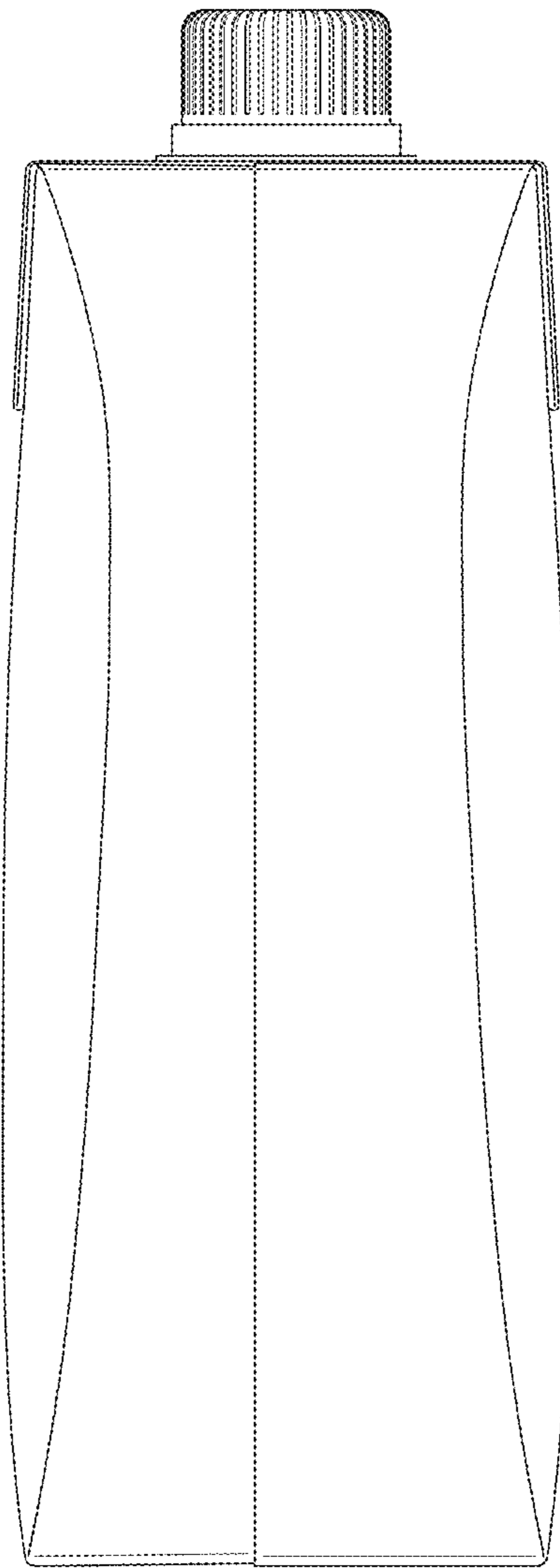


FIG. 12

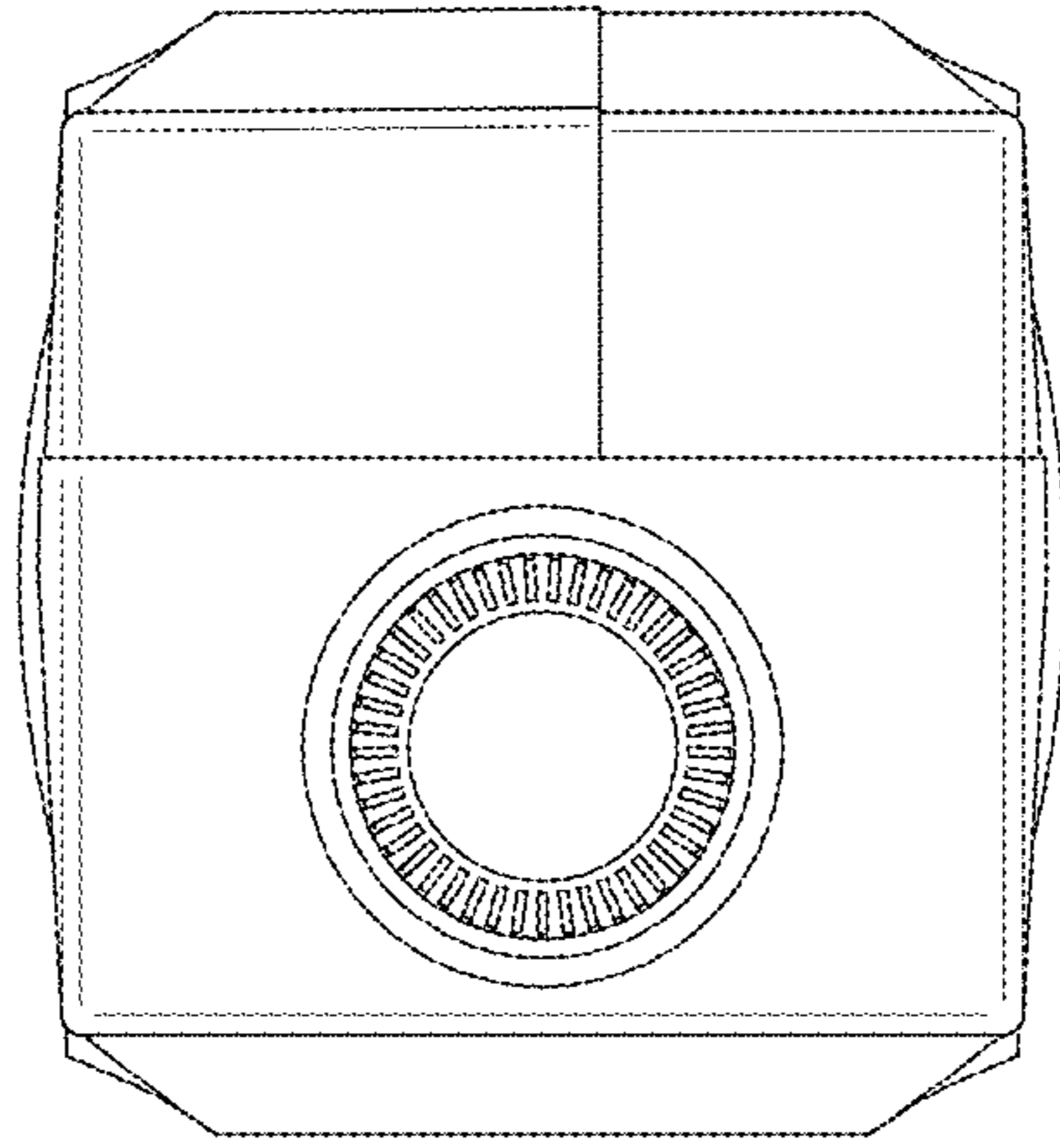


FIG. 13

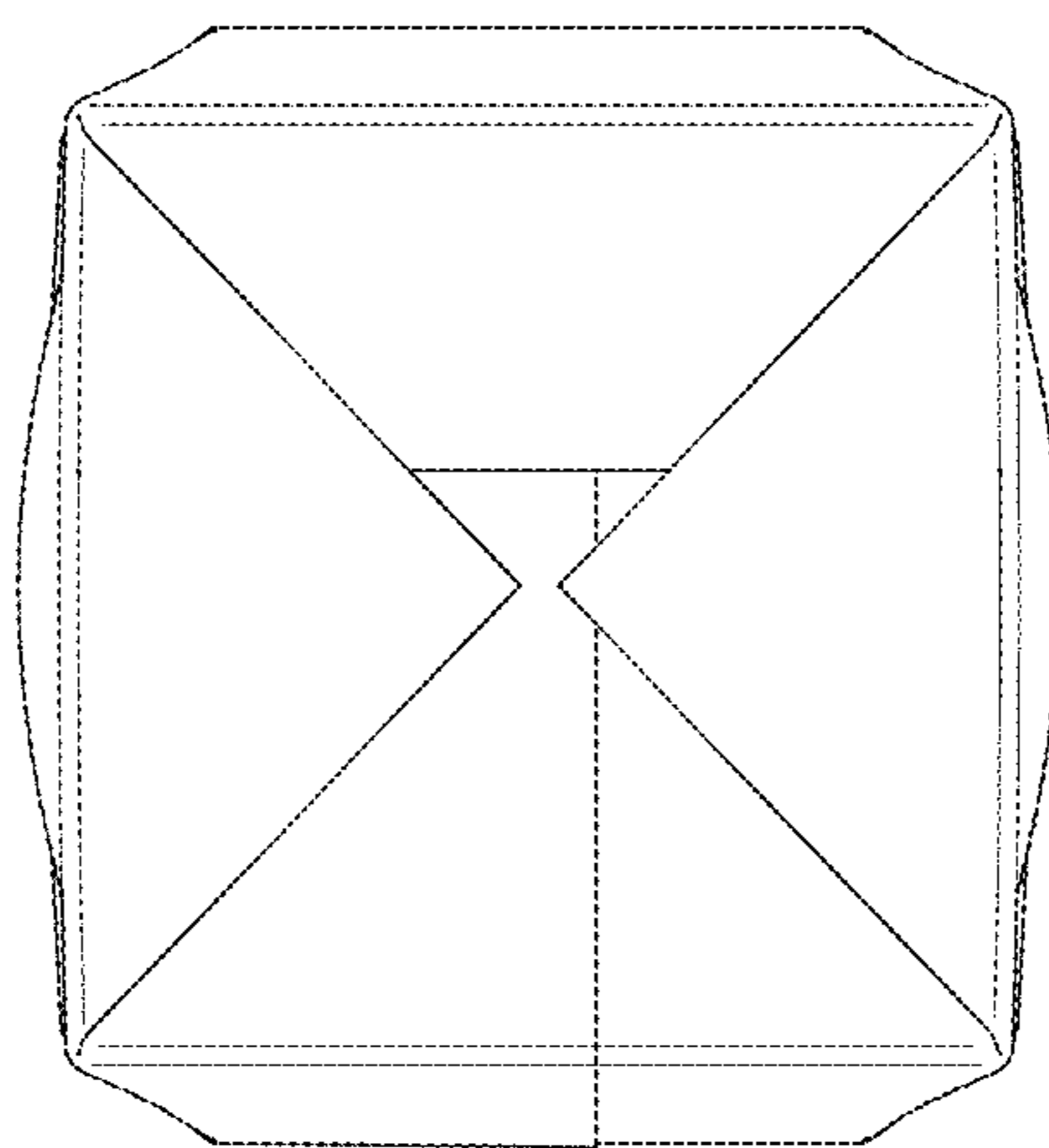


FIG. 14