



US00D795684S

(12) **United States Design Patent**
Cacciabeve

(10) **Patent No.:** **US D795,684 S**

(45) **Date of Patent:** **** Aug. 29, 2017**

(54) **CLAMP**

(71) Applicant: **Walter R. Tucker Enterprises, Ltd.**,
Deposit, NY (US)

(72) Inventor: **Robert Cacciabeve**, Boonton, NJ (US)

(73) Assignee: **Walter R. Tucker Enterprises, Ltd.**,
Deposit, NY (US)

(**) Term: **15 Years**

(21) Appl. No.: **29/562,748**

(22) Filed: **Apr. 28, 2016**

(51) **LOC (10) Cl.** **08-08**

(52) **U.S. Cl.**
USPC **D8/394**

(58) **Field of Classification Search**
USPC D8/382, 394-396, 71-74, 354-355, 380
CPC F16B 2/10; B64D 37/005; B46D 47/00;
F16L 3/237; A43D 79/00; A41B 3/08
See application file for complete search history.

(56) **References Cited**

U.S. PATENT DOCUMENTS

D176,976 S *	2/1956	Crook	D25/68
D271,939 S *	12/1983	Little	D8/73
D340,018 S *	10/1993	Yoder	D12/223
D376,970 S *	12/1996	Drake	D8/72
D392,555 S *	3/1998	Glickman	D8/382
D435,208 S *	12/2000	Miller	D8/72
D439,487 S *	3/2001	Renner	D8/72
D450,991 S *	11/2001	Nardoza	D8/73
D513,975 S *	1/2006	Falconer	D12/604
D516,904 S *	3/2006	Kendrick	D8/395
D520,352 S *	5/2006	Knight	D8/395
D541,613 S *	5/2007	Wang	D8/74
D571,631 S *	6/2008	Gandy, III	D8/52
D672,229 S *	12/2012	Reid	D8/396
D708,053 S *	7/2014	Marini	D24/127
D711,730 S *	8/2014	McKiernan	D8/396
D738,179 S *	9/2015	Gray	D8/72
9,127,740 B2 *	9/2015	Shinoda	F16F 7/12

D743,244 S *	11/2015	Anderson	D8/394
D748,016 S *	1/2016	Wang	D12/114
2015/0304487 A1 *	10/2015	Chaput	F16B 2/10 248/550

FOREIGN PATENT DOCUMENTS

CN	303223493	*	5/2015
JP	D1223709	*	11/2004
KR	300825369-0000	*	11/2015

OTHER PUBLICATIONS

Hood Hawk—Revolutionary Underhood Light—E-Z Red, website copyright 2015, <http://www.ezred.com/product/hood-hawk-revolutionary-underhood-light/>, site visited Dec. 15, 2016.*

(Continued)

Primary Examiner — John Windmuller

Assistant Examiner — John R Yeh

(74) *Attorney, Agent, or Firm* — Breiner & Breiner, L.L.C.

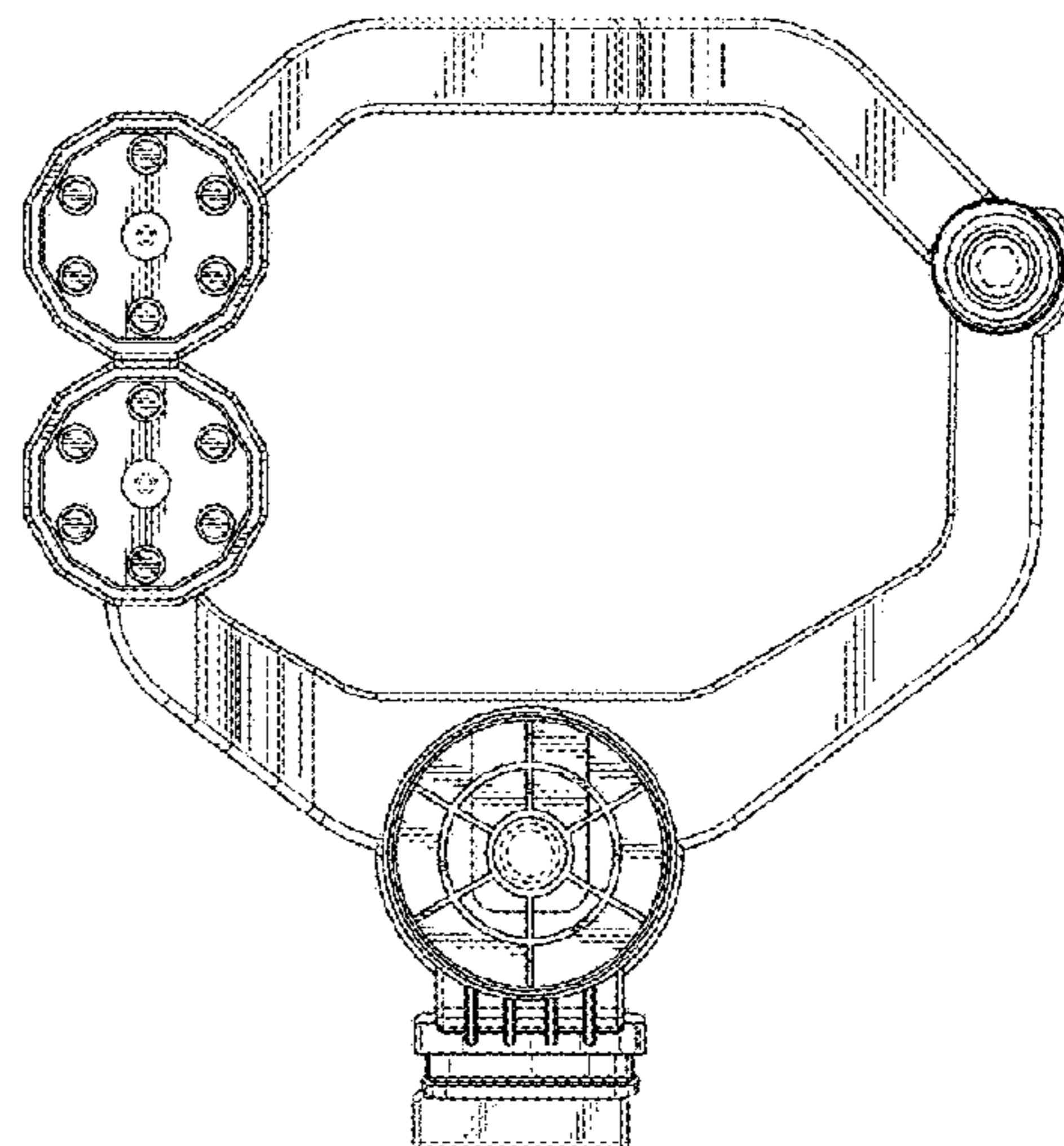
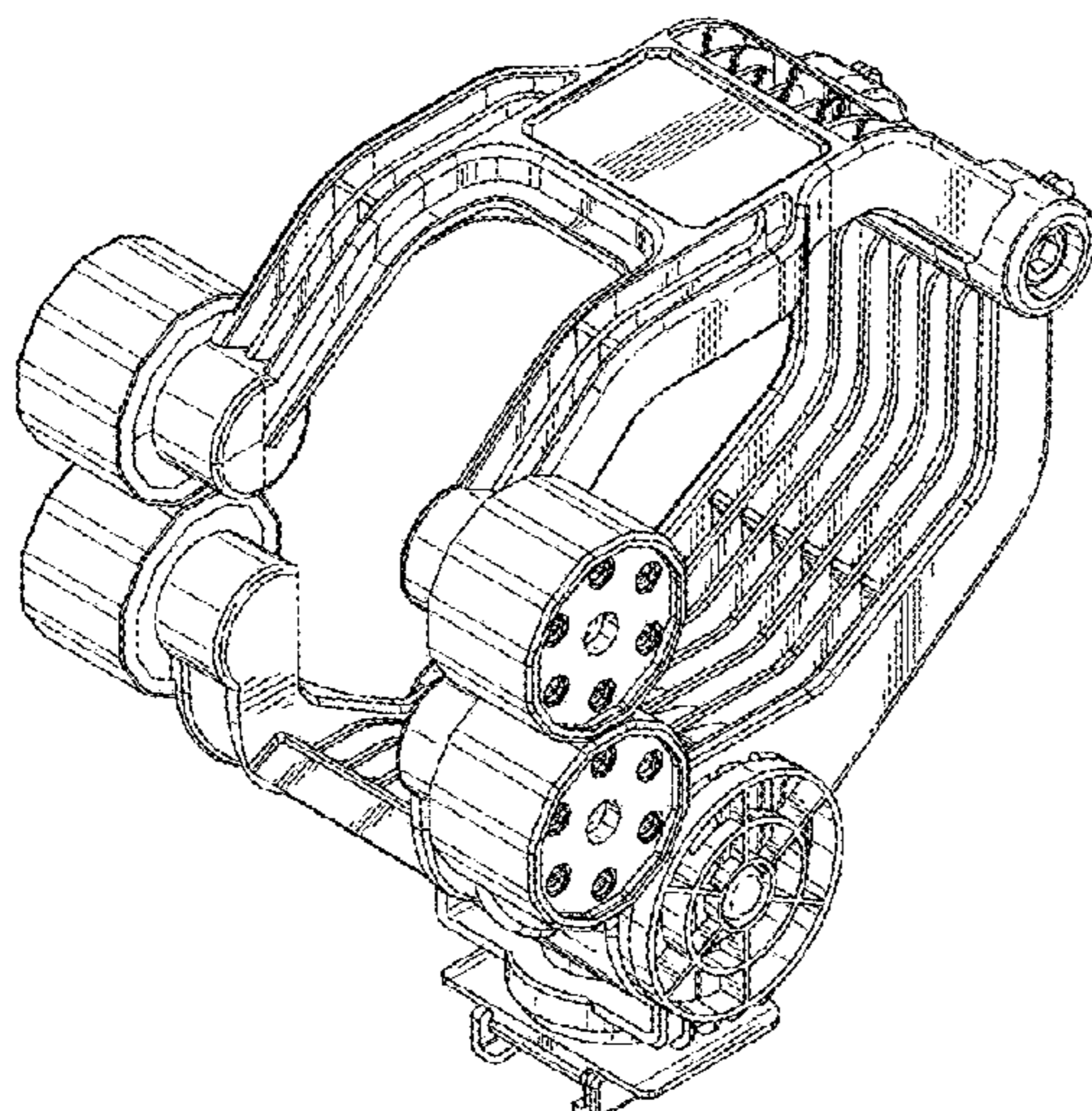
(57) **CLAIM**

The ornamental design for a clamp, as shown and described.

DESCRIPTION

FIG. 1 is a front/side elevational perspective view of the clamp;
FIG. 2 is a first side view of the clamp;
FIG. 3 is a second side view of the clamp;
FIG. 4 is a rear view of the clamp;
FIG. 5 is a front view of the clamp;
FIG. 6 is a bottom view of the clamp; and,
FIG. 7 is a top view of the clamp.
The broken lines in the figures represent portions of the clamp that form no part of the claim design.

1 Claim, 7 Drawing Sheets



(56)

References Cited

OTHER PUBLICATIONS

Youtube Video EZ Red Hood Hawk video pub date Oct. 6, 2016,
site visited Dec. 15, 2016, [https://www.youtube.com/
watch?v=Mn1746yRao&feature=youtu.be](https://www.youtube.com/watch?v=Mn1746yRao&feature=youtu.be).*

* cited by examiner

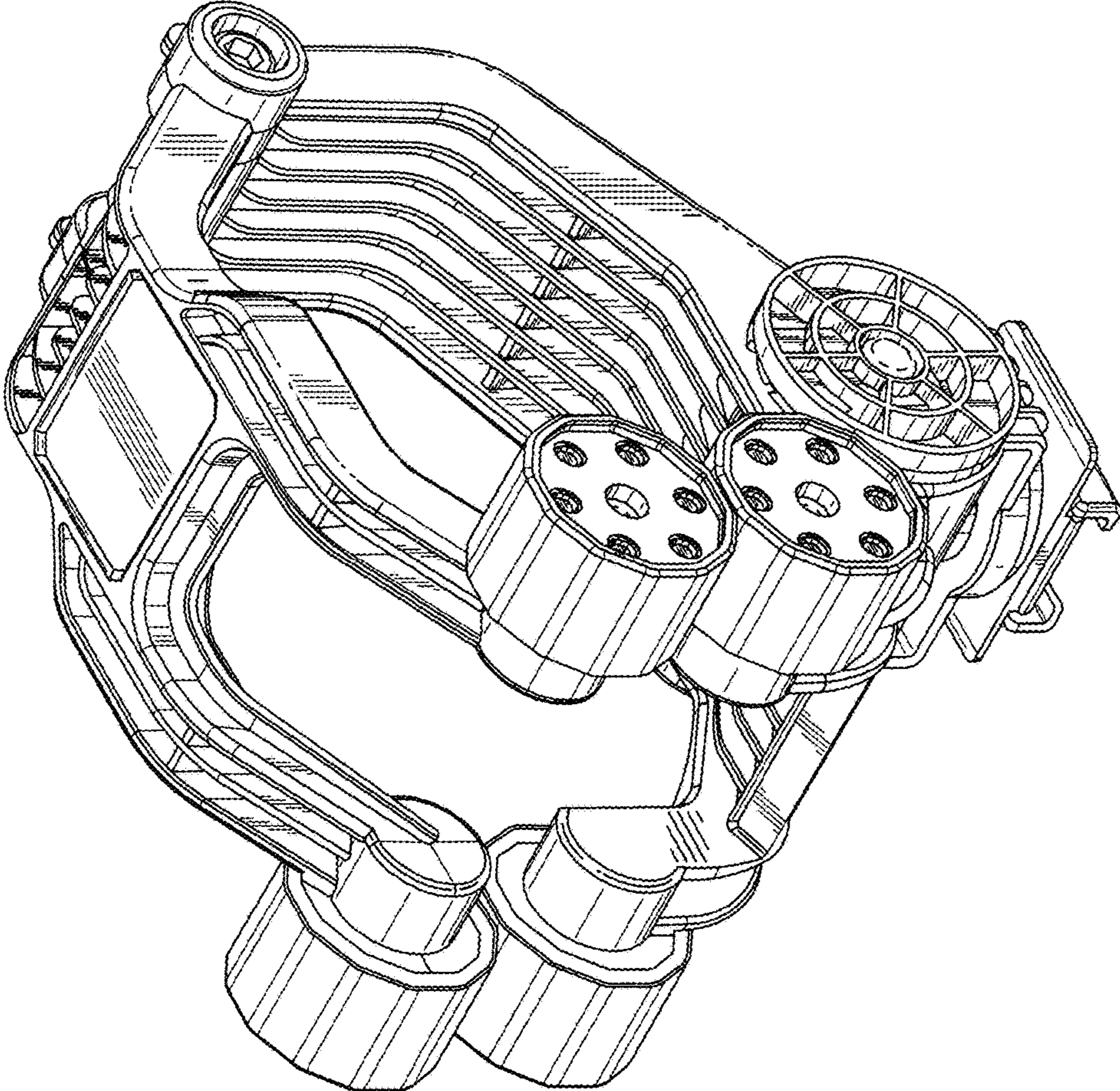


FIG. 1

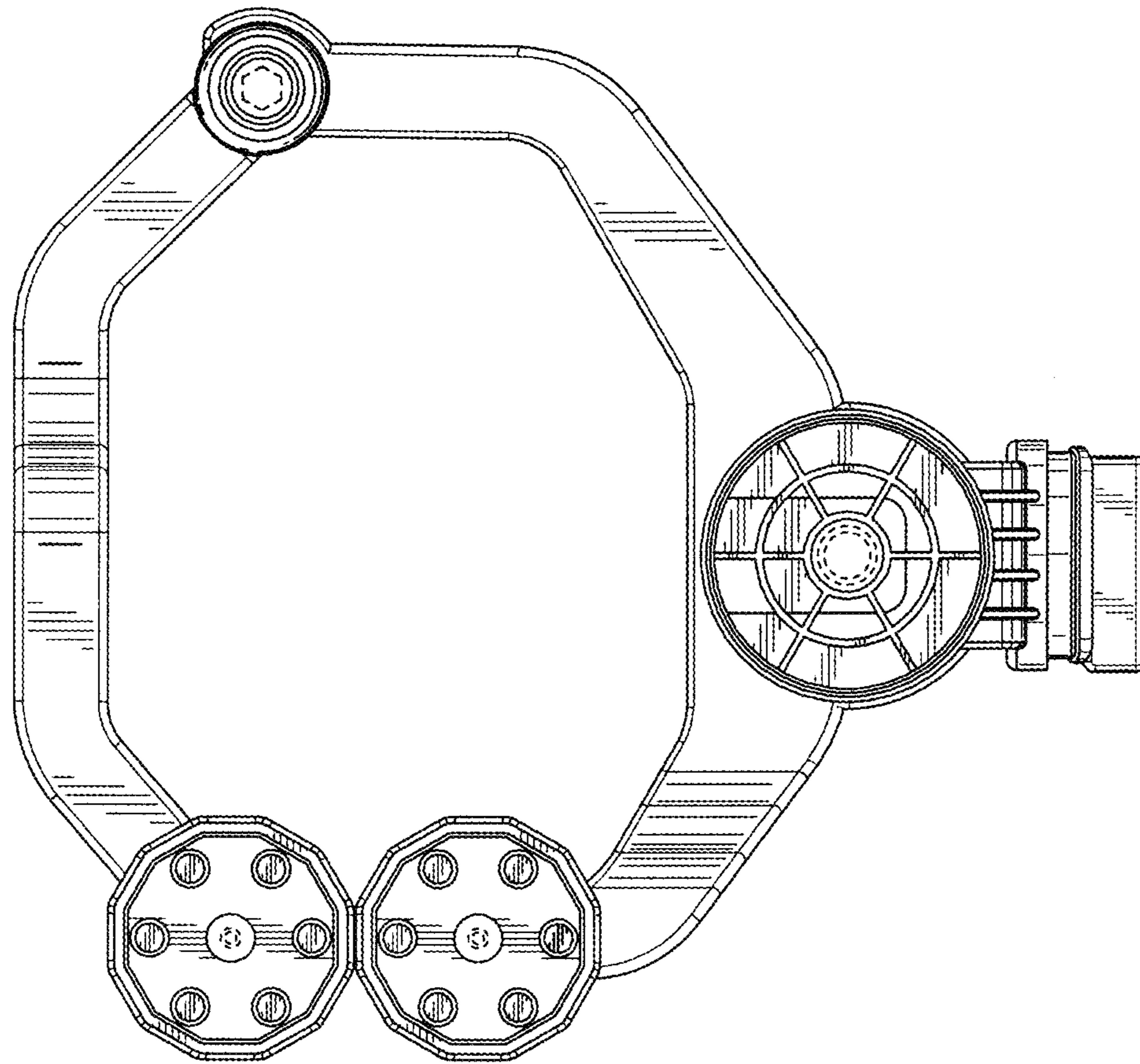


FIG. 2

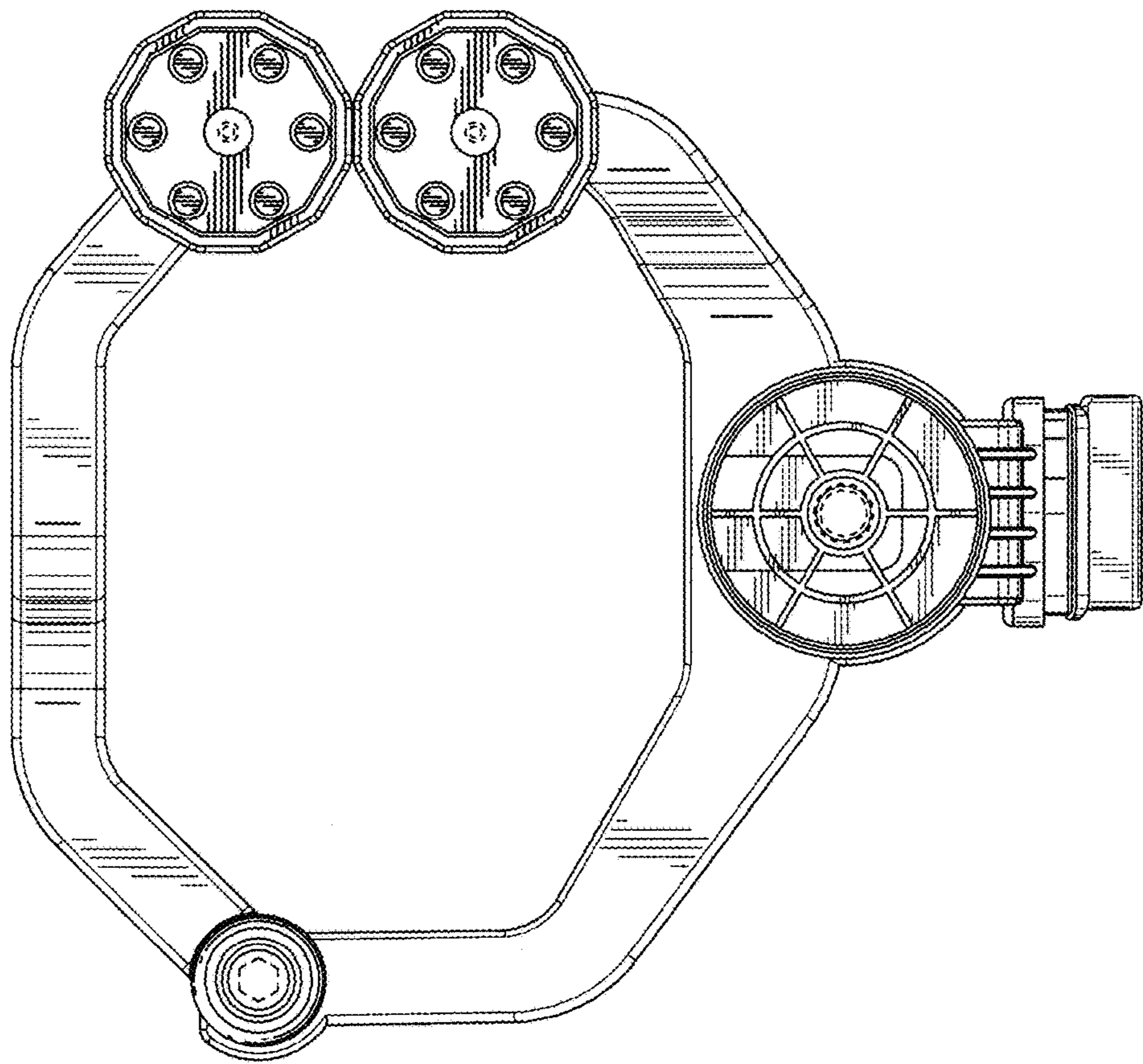


FIG. 3

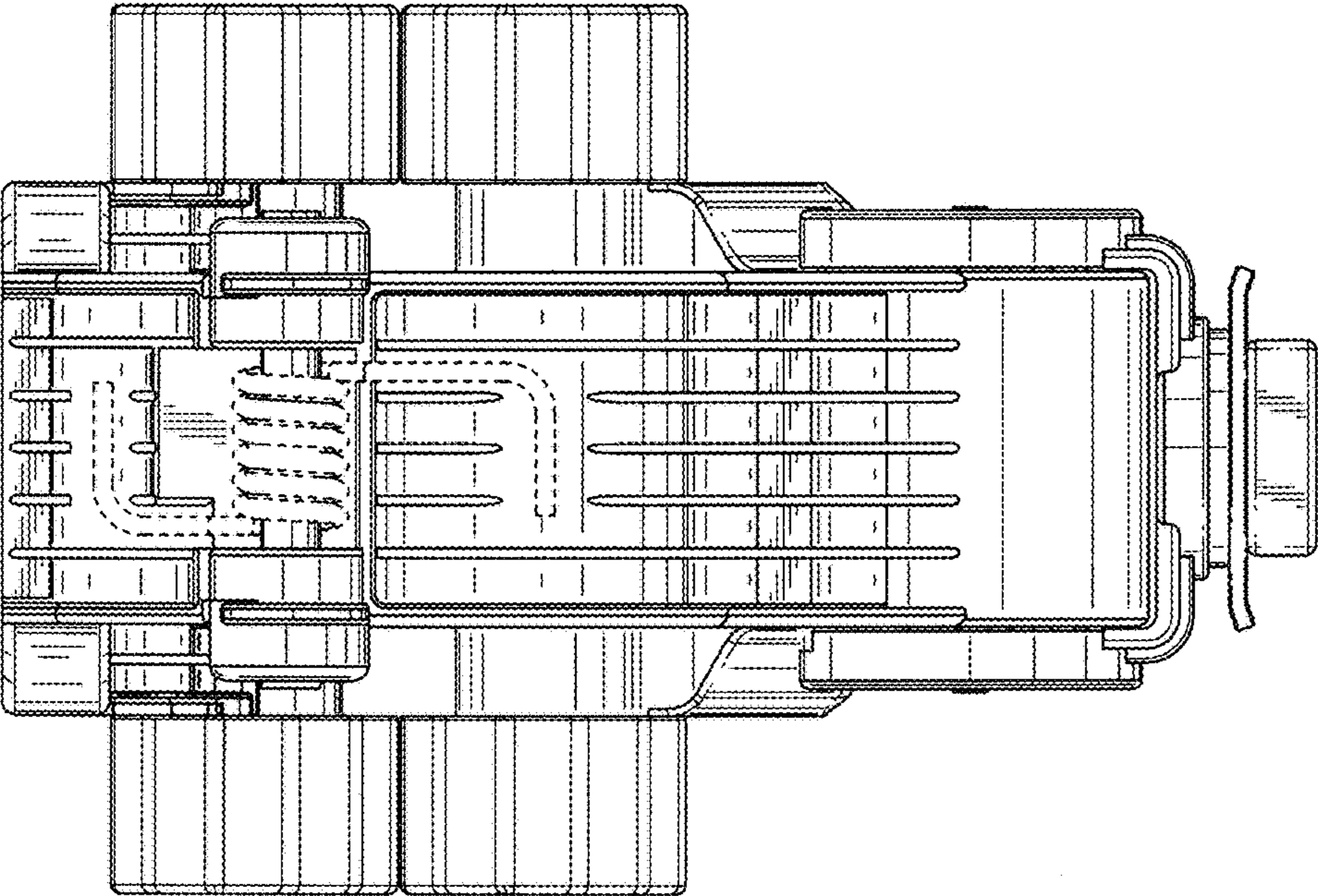


FIG. 4

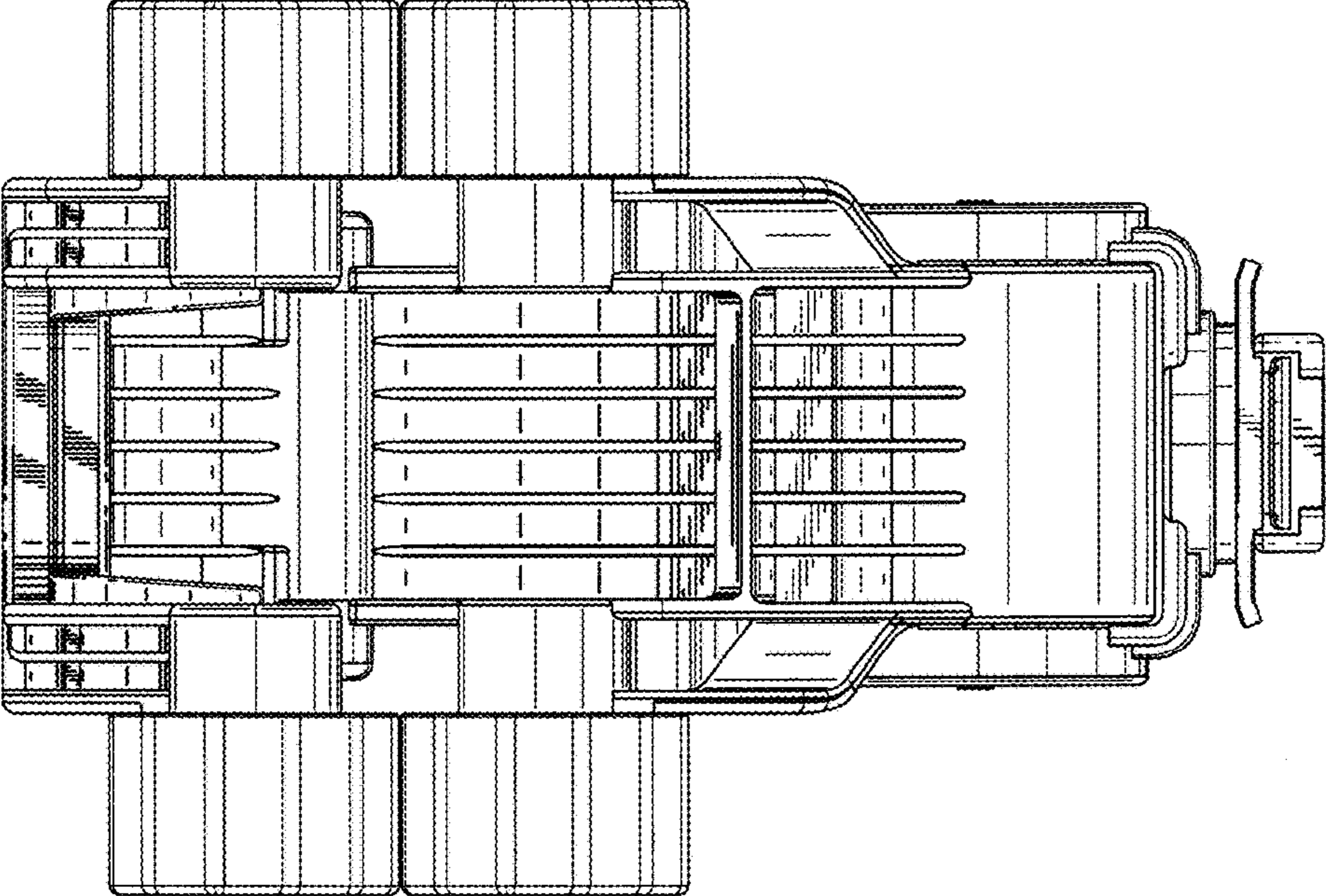


FIG. 5

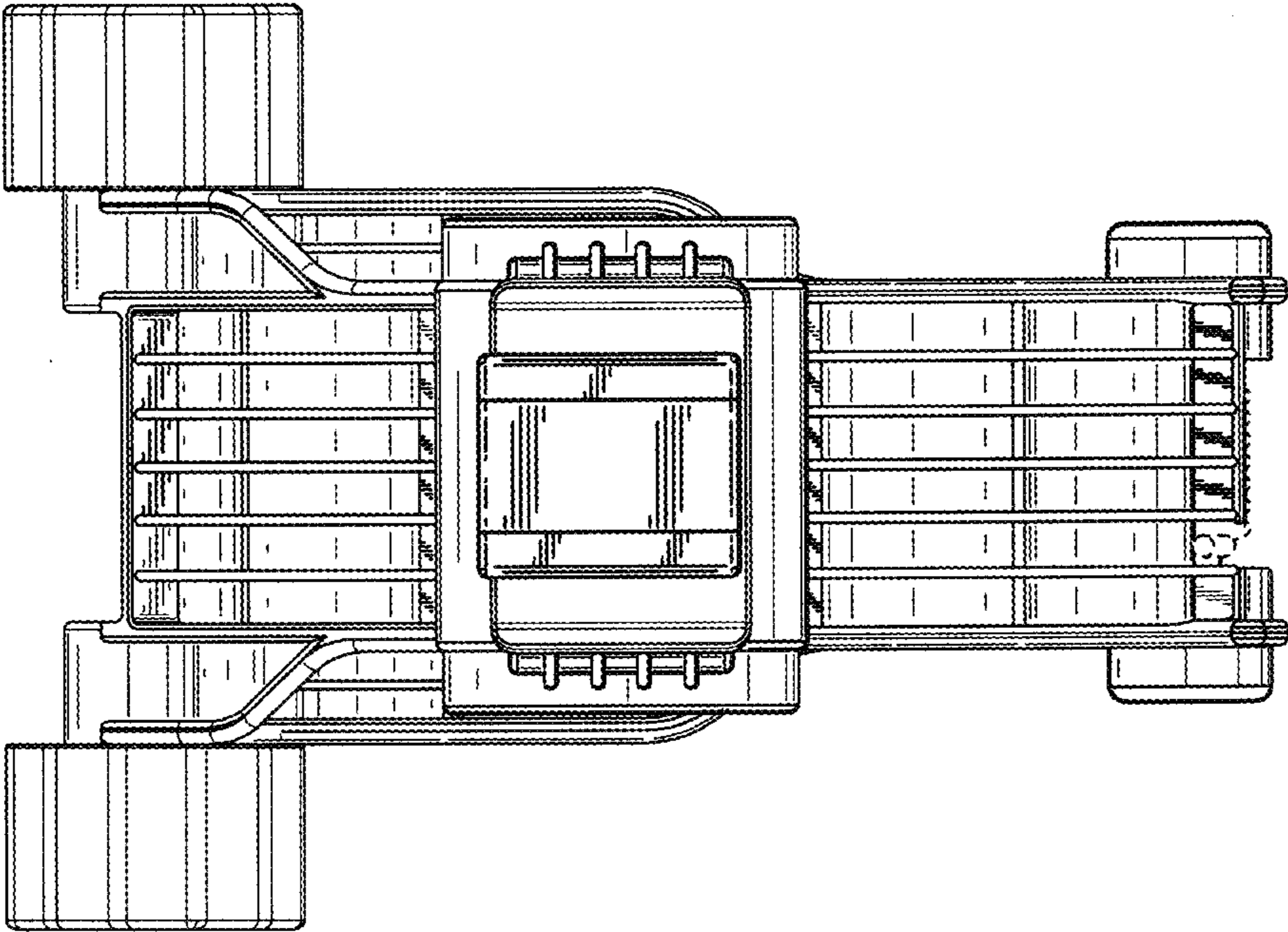


FIG. 6

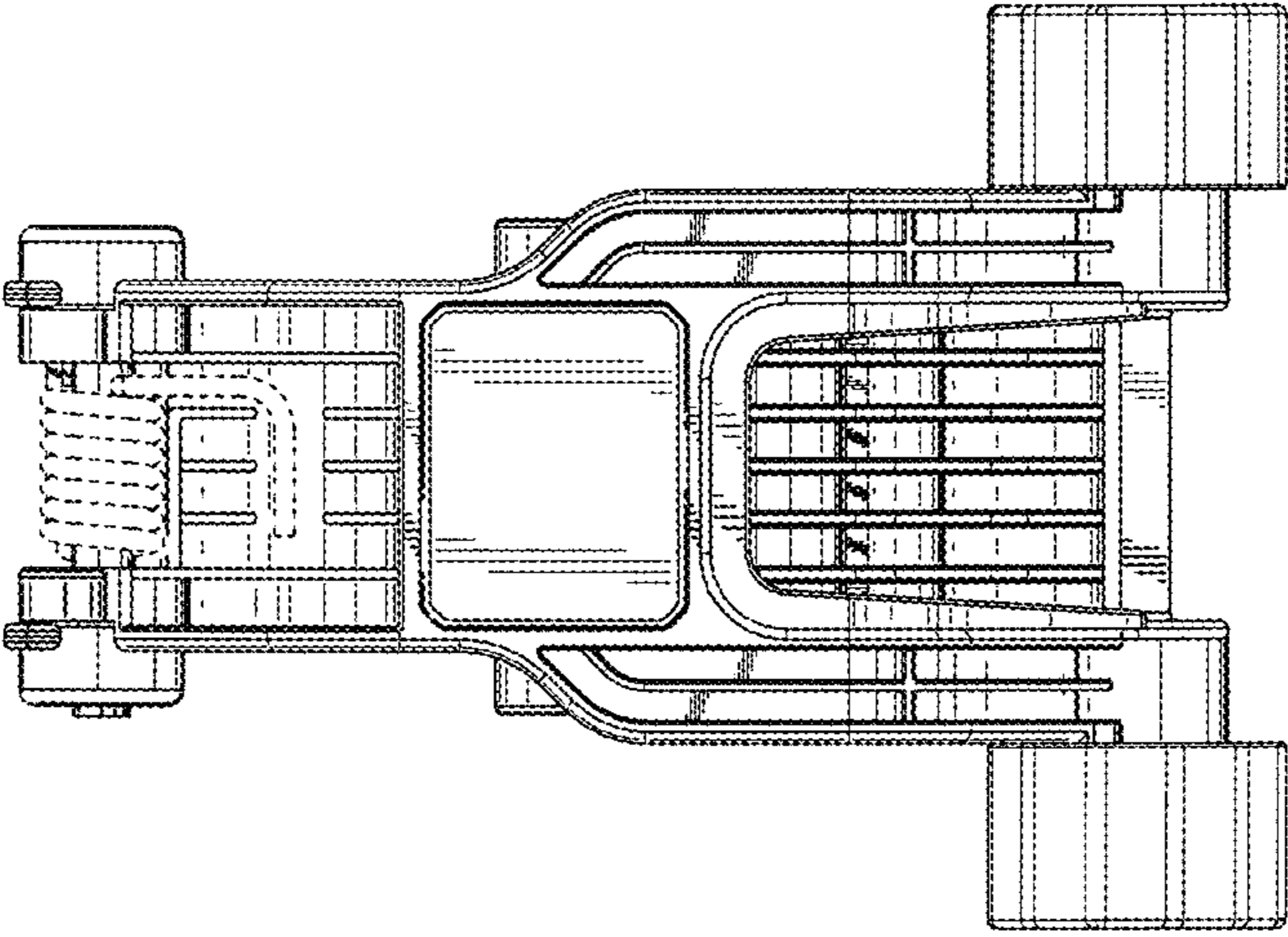


FIG. 7