

US00D795683S

(12) **United States Design Patent** (10) **Patent No.:** **US D795,683 S**  
**Malin** (45) **Date of Patent:** **\*\* Aug. 29, 2017**

(54) **WIRE HOLDER**

(71) Applicant: **Allied Bolt, Inc.**, Lake Success, NY (US)

(72) Inventor: **Glen Malin**, Lake Success, NY (US)

(73) Assignee: **ALLIED BOLT, INC.**, Lake Success, NY (US)

(\*\*) Term: **15 Years**

(21) Appl. No.: **29/549,674**

(22) Filed: **Dec. 28, 2015**

(51) **LOC (10) Cl.** ..... **08-08**

(52) **U.S. Cl.**  
USPC ..... **D8/394**

(58) **Field of Classification Search**  
USPC ..... D8/363, 354, 373, 381, 394-396, 39  
CPC ..... F16C 1/26; B66B 7/02; B65G 21/20  
See application file for complete search history.

(56) **References Cited**

**U.S. PATENT DOCUMENTS**

- 1,466,007 A \* 8/1923 Walton ..... F16G 3/006  
24/134 R
- 1,578,634 A \* 3/1926 Borgmann ..... F16L 3/00  
248/299.1
- 3,378,806 A \* 4/1968 Wilkerson ..... H01R 4/302  
411/337
- D342,013 S \* 12/1993 Sachs ..... D8/356
- D380,375 S \* 7/1997 Rohaly ..... D8/394
- D398,218 S \* 9/1998 Coll ..... D8/356
- D400,090 S \* 10/1998 Coll ..... D8/356
- D418,048 S \* 12/1999 Chan ..... D8/387
- D474,679 S \* 5/2003 Malin ..... D8/394
- D511,679 S \* 11/2005 Malin ..... D8/396
- D538,143 S \* 3/2007 Pu ..... D8/394
- D585,731 S \* 2/2009 Carrillo, Sr. .... D8/387
- D593,948 S \* 6/2009 Biery ..... D13/134
- D601,004 S \* 9/2009 Hagins ..... D8/387
- D639,645 S \* 6/2011 Carrillo, Sr. .... D8/387

- D641,609 S \* 7/2011 Yagame ..... D8/354
- D642,270 S \* 7/2011 McAfee ..... D24/155
- D656,813 S \* 4/2012 Dotsey ..... D8/354
- D658,975 S \* 5/2012 Cordova ..... D8/354
- D678,758 S \* 3/2013 Ross ..... D8/387
- D718,613 S \* 12/2014 Petzl ..... D8/387
- D733,546 S \* 7/2015 Balzhiser ..... D8/387

(Continued)

**FOREIGN PATENT DOCUMENTS**

- KR 300719233-0000 \* 12/2013
- KR 300844615-0000 \* 3/2016

**OTHER PUBLICATIONS**

BLazer ELeetric Products, Porcelain House Knob, website 2017, <https://portal.blazerelectricsupply.com/buy/product/por-1929-10/40848?ID=/Porcelain-Products/mfr-2BP>, site visited May 24, 2017.\*

(Continued)

*Primary Examiner* — John Windmuller  
*Assistant Examiner* — John R Yeh

(74) *Attorney, Agent, or Firm* — Baker Botts L.L.P.

(57) **CLAIM**

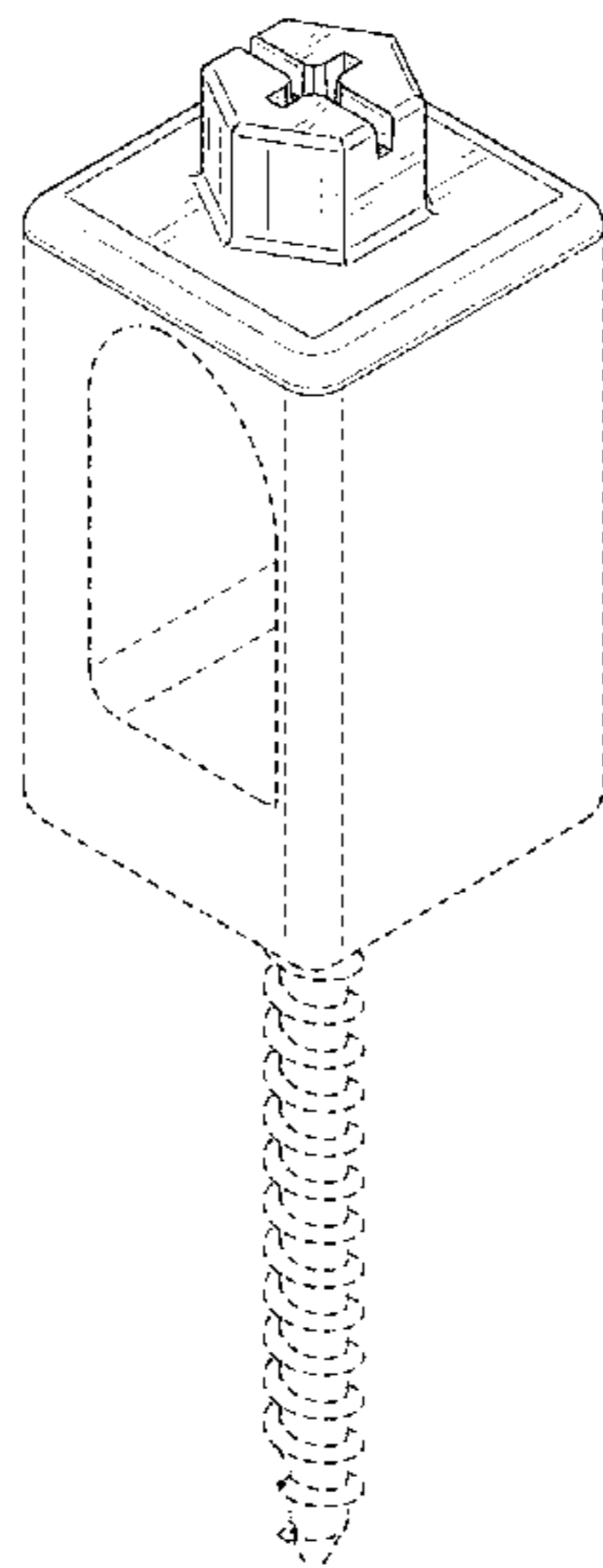
The ornamental design for a wire holder, as shown and described.

**DESCRIPTION**

FIG. 1 is a perspective view of my design for a wire holder; FIG. 2 is a front view thereof; FIG. 3 is a rear view thereof; FIG. 4 is a left side view thereof; FIG. 5 is a right side view thereof; FIG. 6 is a top view thereof; and, FIG. 7 is a bottom view thereof.

The broken lines in the figures represent portions of the wire holder that form no part of the claimed design.

**1 Claim, 6 Drawing Sheets**



(56)

**References Cited**

U.S. PATENT DOCUMENTS

D734,131 S \* 7/2015 White ..... D8/354  
D734,654 S \* 7/2015 Geiger ..... D8/354  
D737,674 S \* 9/2015 Tobaruela ..... D8/387  
D764,267 S \* 8/2016 Hutter, III ..... D8/387

OTHER PUBLICATIONS

2¼" Nylon Wireholder | Allied Bolt Products LLC, website copyright 2015, <http://alliedboltinc.com/Poleline-Hardware/NYLON-WIREHOLDER-474/2-1-4-inch-NY> . . . , site visited May 24, 2017.\*

Porcelain Wire Holder, Primus Cable website 2017, <http://www.primuscable.com/store/p/7293-Porcelain-Wire-Holder-With-solid-rivet-throug> . . . , site visited May 24, 2017.\*

Amazon.com: Steren 100 CT Grip Clip, oldest review Mar. 25, 2011, [https://www.amazon.com/Steren-Grip-Clip-Cable-Clips/dp/B000E9ZKDY/ref=cm\\_cr\\_ar](https://www.amazon.com/Steren-Grip-Clip-Cable-Clips/dp/B000E9ZKDY/ref=cm_cr_ar) . . . , site visited May 24, 2017.\*

\* cited by examiner

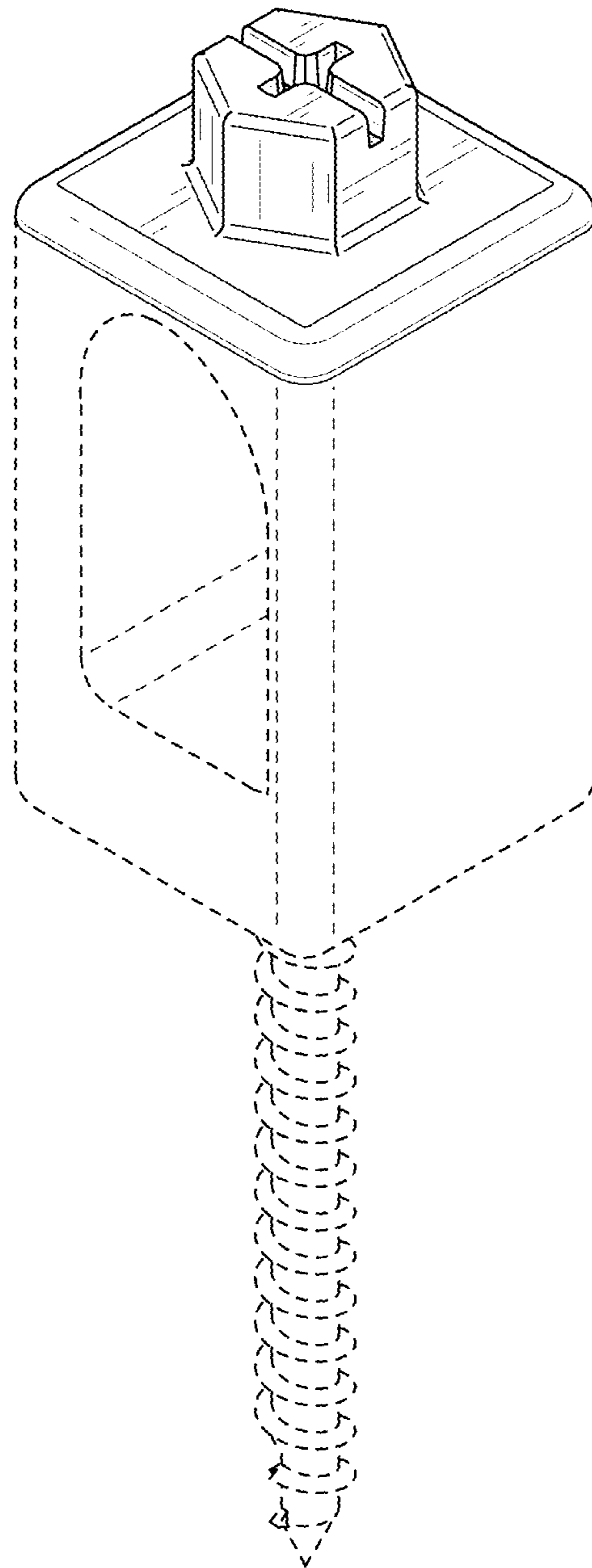


FIG. 1

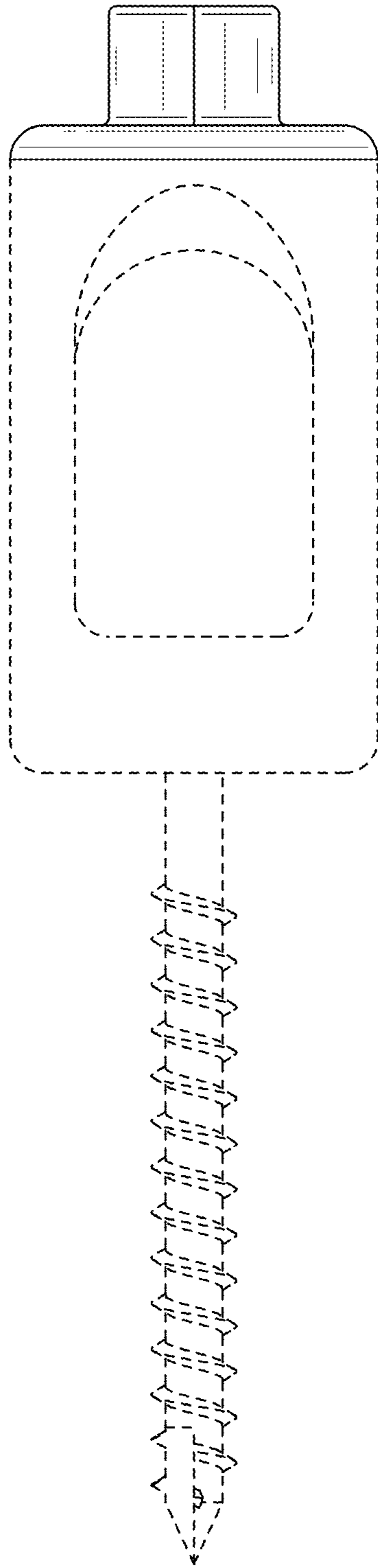


FIG. 2

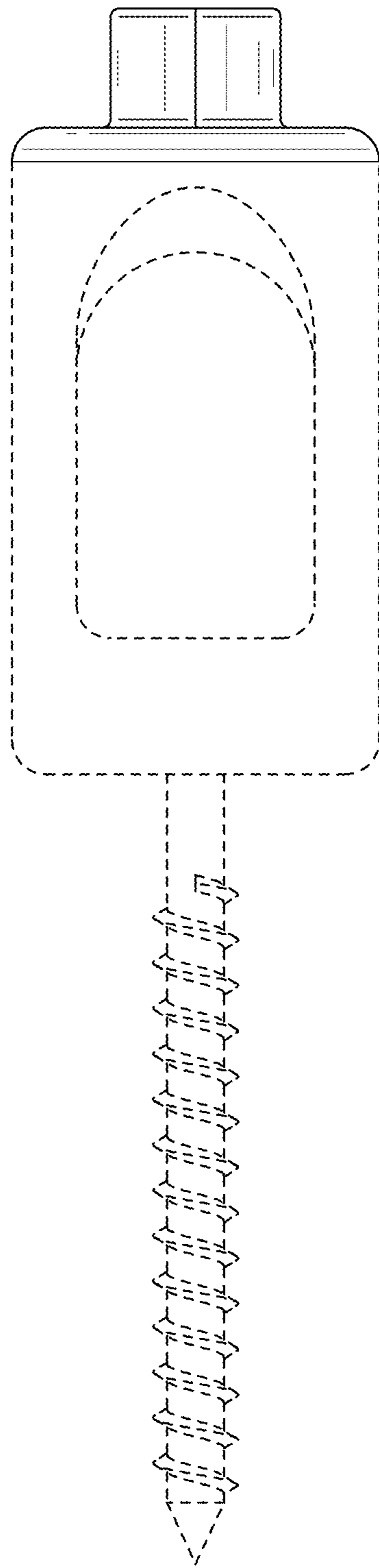


FIG. 3

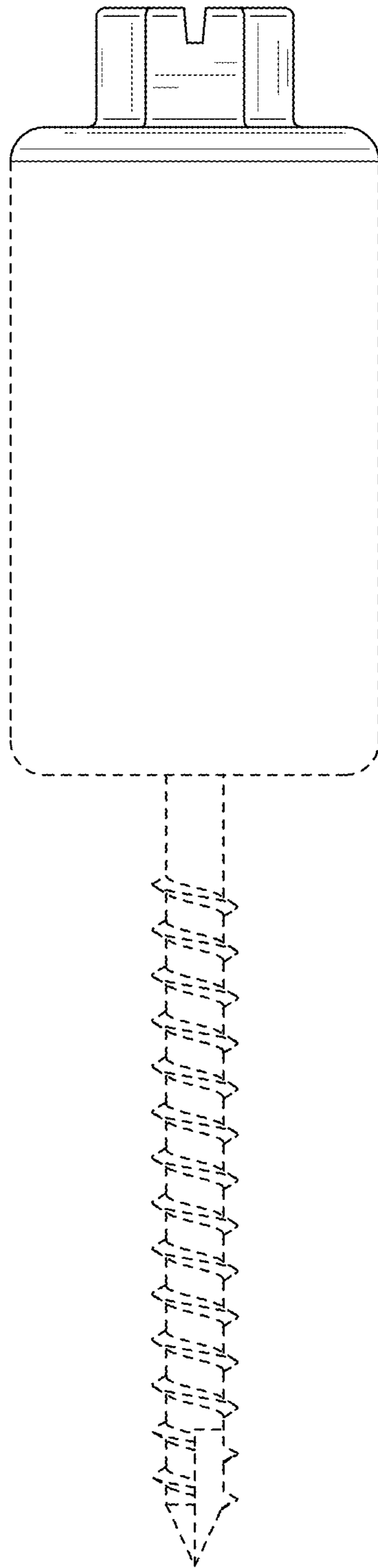


FIG. 4

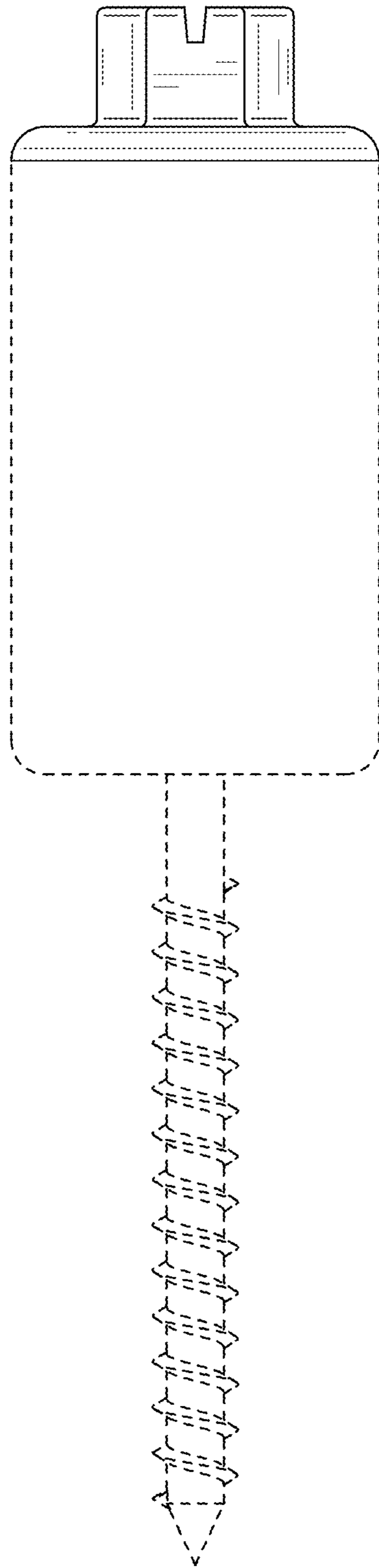


FIG. 5

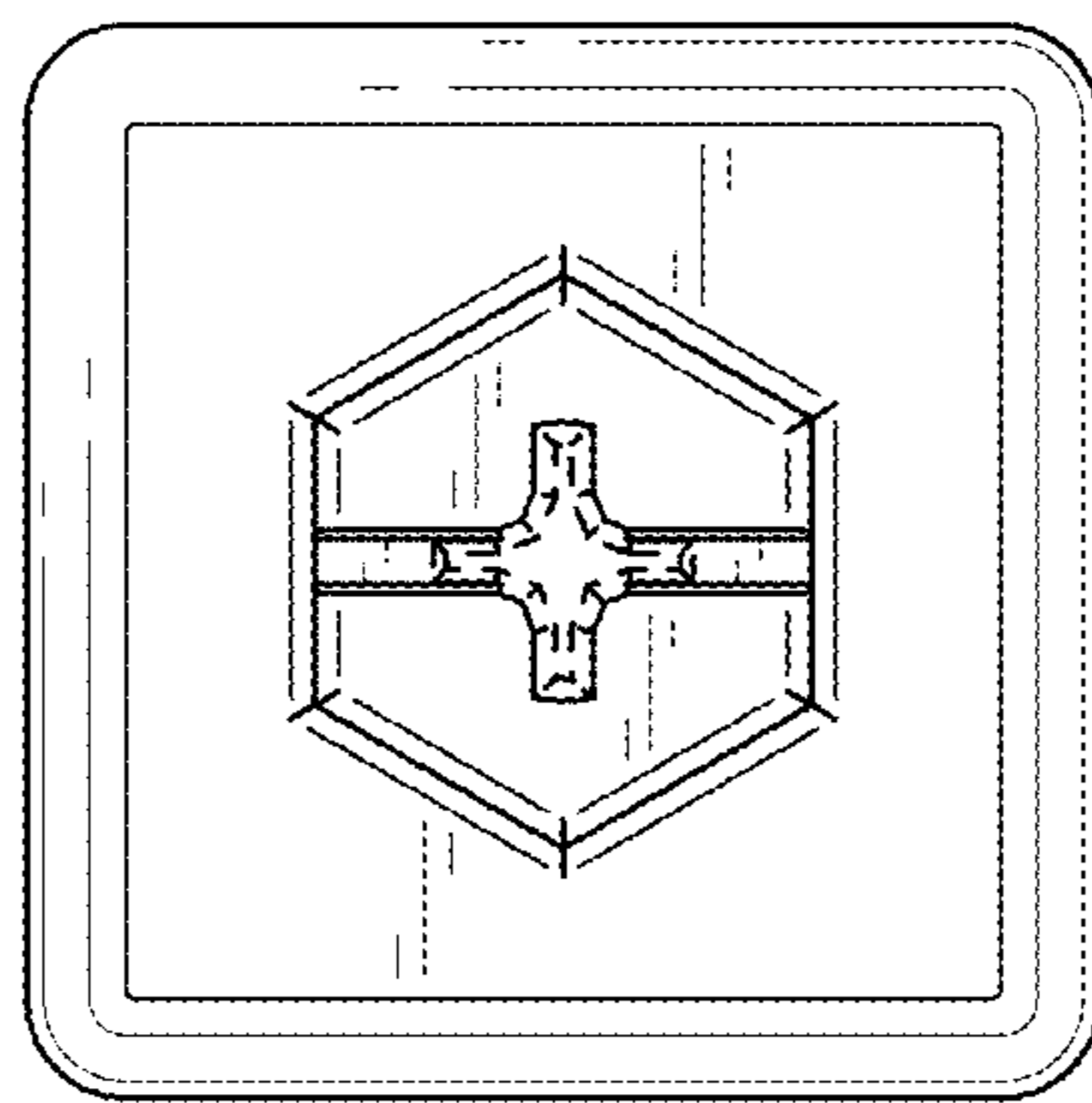


FIG. 6

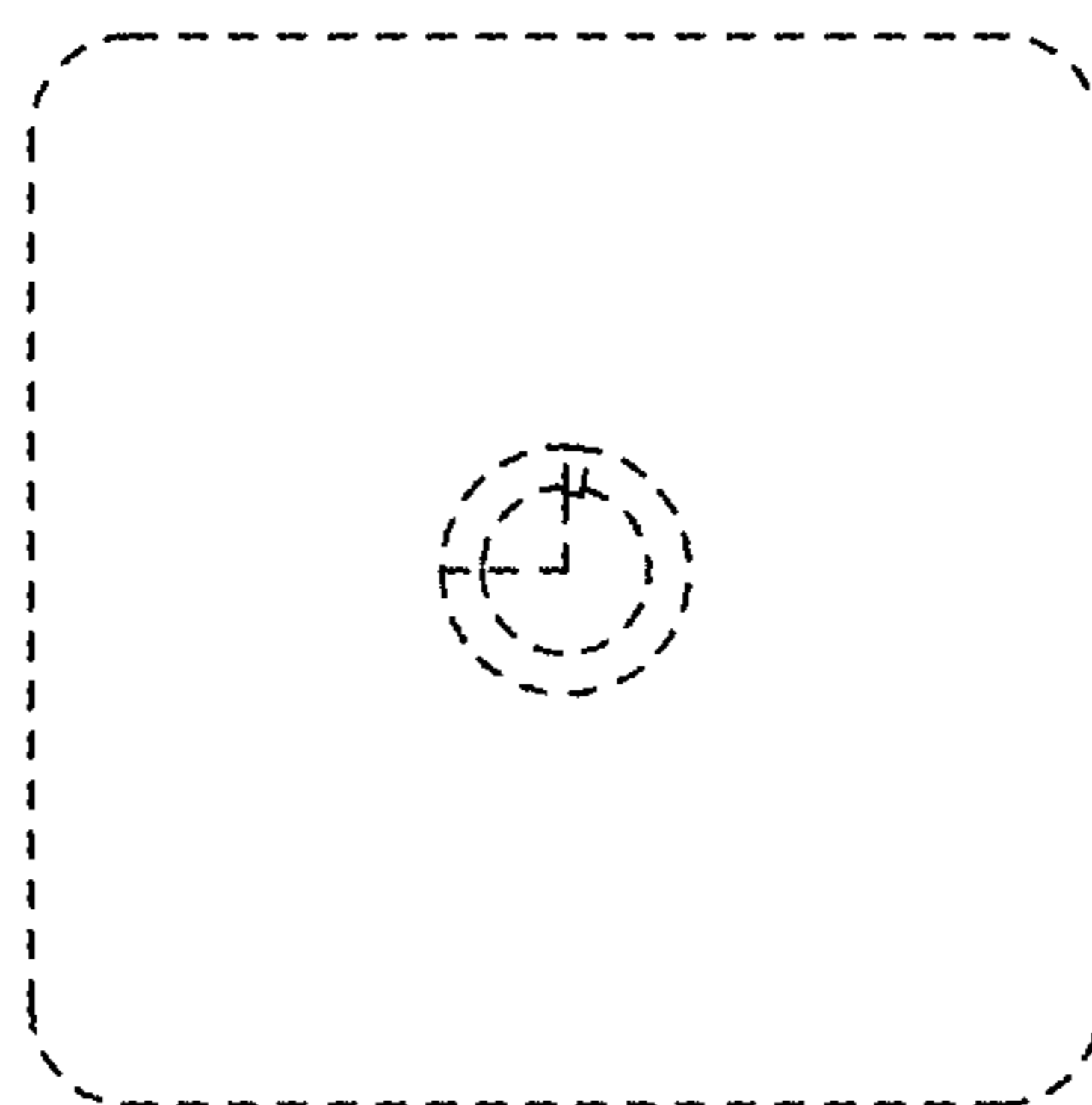


FIG. 7