



US00D795677S

(12) **United States Design Patent**  
**Kelley**

(10) **Patent No.:** **US D795,677 S**

(45) **Date of Patent:** **\*\* Aug. 29, 2017**

(54) **GOOSENECK BRACKET**

(71) Applicant: **Ghost Controls, LLC**, Tallahassee, FL (US)

(72) Inventor: **Joseph A. Kelley**, Tallahassee, FL (US)

(\*\*) Term: **15 Years**

(21) Appl. No.: **29/557,027**

(22) Filed: **Mar. 4, 2016**

(51) **LOC (10) Cl.** ..... **08-05**

(52) **U.S. Cl.**  
USPC ..... **D8/354; D8/349**

(58) **Field of Classification Search**  
USPC ..... D8/330, 349, 354, 355, 356, 363, 367, D8/382, 383; D12/415; D13/173; D14/238, 453; 248/58, 62, 72, 200, 201, 248/205.1, 207, 214, 229, 300; 73/493, 73/627, 628, 632, 649  
CPC ..... A47B 47/00; A47B 97/00; A47G 29/00; A47G 29/08; A47F 5/00; A47H 1/10; B62D 21/02  
See application file for complete search history.

(56) **References Cited**

**U.S. PATENT DOCUMENTS**

D267,471 S \* 1/1983 Mundorf ..... D15/5  
5,570,880 A \* 11/1996 Nordgran ..... A63B 63/083  
248/218.4

D395,816 S \* 7/1998 Colodny ..... D8/356  
D469,342 S \* 1/2003 Metzentine ..... D8/373  
D521,852 S \* 5/2006 Hall ..... D8/354  
D601,878 S \* 10/2009 Funk ..... D8/349  
D685,253 S \* 7/2013 Hiebert ..... D8/349  
D711,211 S \* 8/2014 Walker ..... D8/349  
D714,616 S \* 10/2014 Walker ..... D8/349  
D735,555 S \* 8/2015 Tajdus ..... D8/354  
D737,663 S \* 9/2015 Kandakur ..... D15/5  
D752,417 S \* 3/2016 Witting ..... D8/354

\* cited by examiner

*Primary Examiner* — Mark Goodwin

(74) *Attorney, Agent, or Firm* — Rapacke Law Group, P.A.

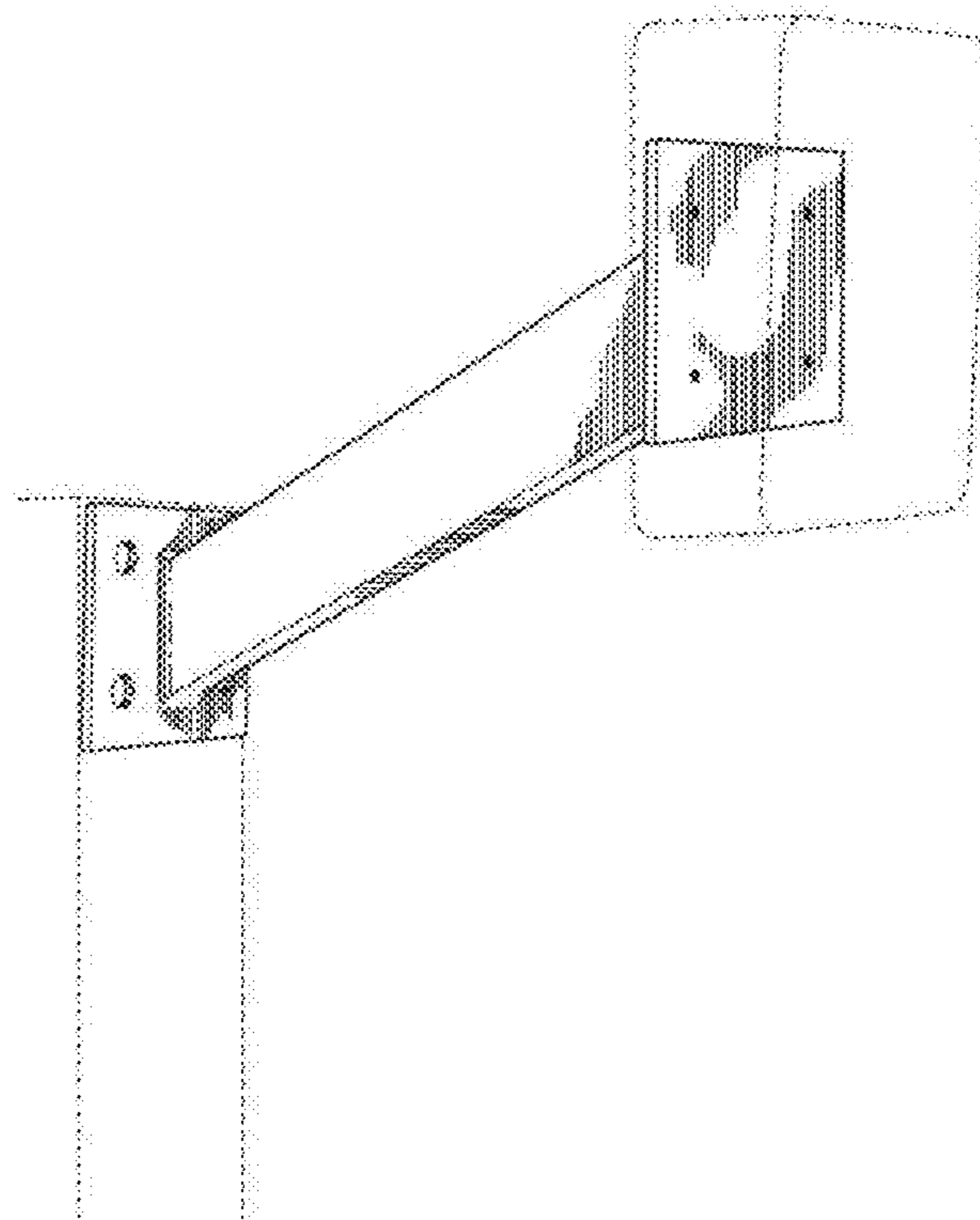
(57) **CLAIM**

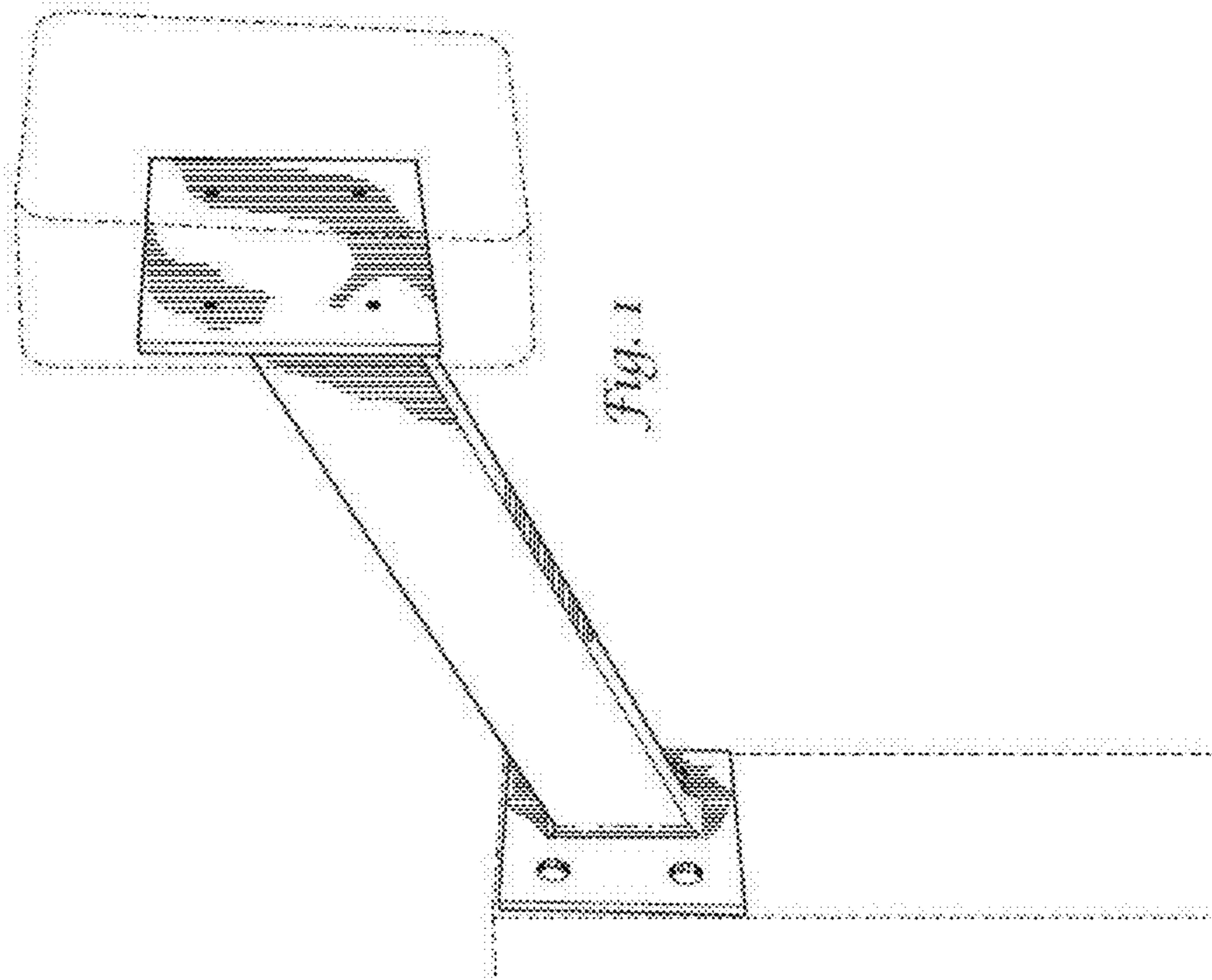
The ornamental design for a gooseneck bracket, as shown and described.

**DESCRIPTION**

FIG. 1 is a perspective view of the gooseneck bracket showing my new design;  
FIG. 2 is a front view thereof;  
FIG. 3 is a rear view thereof;  
FIG. 4 is a left side view thereof; and,  
FIG. 5 is a top view thereof.  
The broken lines form no part of the claimed design. A right side view is omitted as it is a mirror image of the left side view shown in FIG. 4. Further, a bottom view is omitted as it is flat and devoid of surface ornamentation.

**1 Claim, 3 Drawing Sheets**





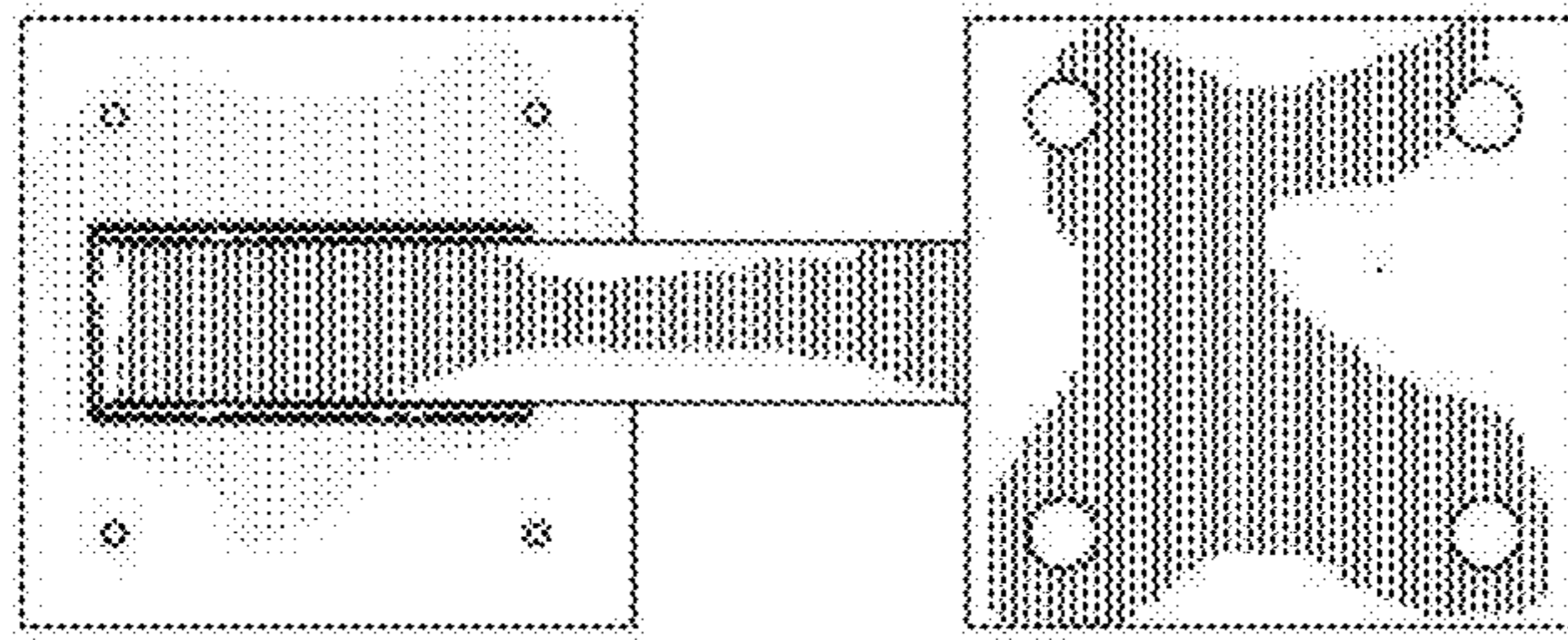


Fig. 3

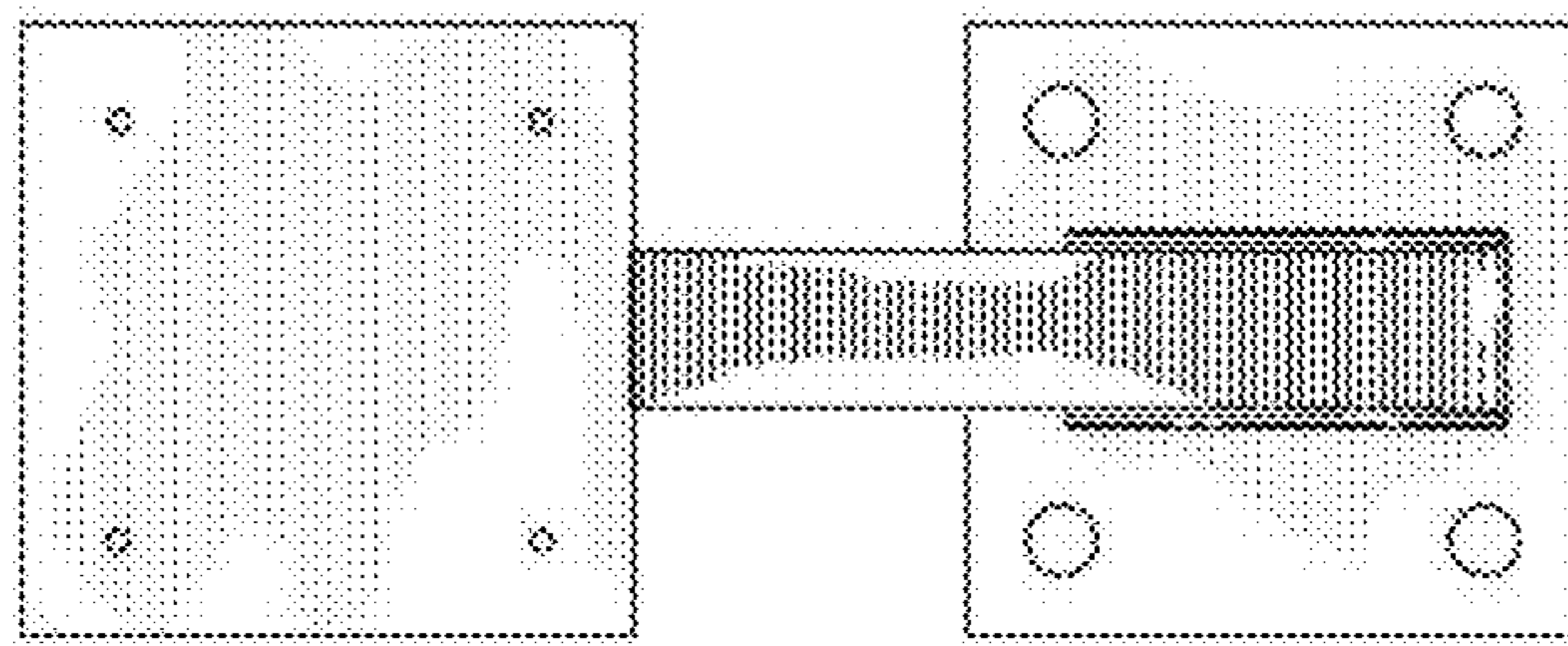


Fig. 2

