



US00D795676S

(12) **United States Design Patent**
Karol et al.

(10) **Patent No.:** **US D795,676 S**

(45) **Date of Patent:** **** Aug. 29, 2017**

(54) **BRACKET**

(71) Applicant: **DEKA Products Limited Partnership**,
Manchester, NH (US)

(72) Inventors: **Daniel Scott Karol**, Southborough, MA
(US); **Jason Michael Overson**,
Manchester, NH (US); **David Evan
Collins**, Merrimac, MA (US); **Nick Von
Bargen**, Liberty Township, OH (US)

(73) Assignee: **DEKA Products Limited Partnership**,
Manchester, NH (US)

(**) Term: **15 Years**

(21) Appl. No.: **29/553,522**

(22) Filed: **Feb. 2, 2016**

(51) **LOC (10) Cl.** **08-05**

(52) **U.S. Cl.**
USPC **D8/354; D8/349**

(58) **Field of Classification Search**
USPC D8/349, 354; 248/300, 519; 256/65.05;
403/232.1
CPC .. A47F 5/00; A47H 1/10; A47G 29/00; A47G
29/08; A47B 97/00

See application file for complete search history.

(56) **References Cited**

U.S. PATENT DOCUMENTS

D235,620 S * 7/1975 Forseth 174/38
D523,325 S * 6/2006 Ignagni D8/354

D616,727 S * 6/2010 Chou D8/354
D700,825 S * 3/2014 Furling D8/354
D711,974 S 8/2014 Norman et al.
D756,199 S * 5/2016 Carrubba D8/354

OTHER PUBLICATIONS

REV Robotics—REV 15mm—Bent Motor Bracket, www.revrobot-
ics.com/product/rev-41-1027b/, REV Robotics LLC, Copyright
2016.

* cited by examiner

Primary Examiner — Caron D Veynar

Assistant Examiner — Maria Edwards

(74) *Attorney, Agent, or Firm* — Kathleen Chapman

(57) **CLAIM**

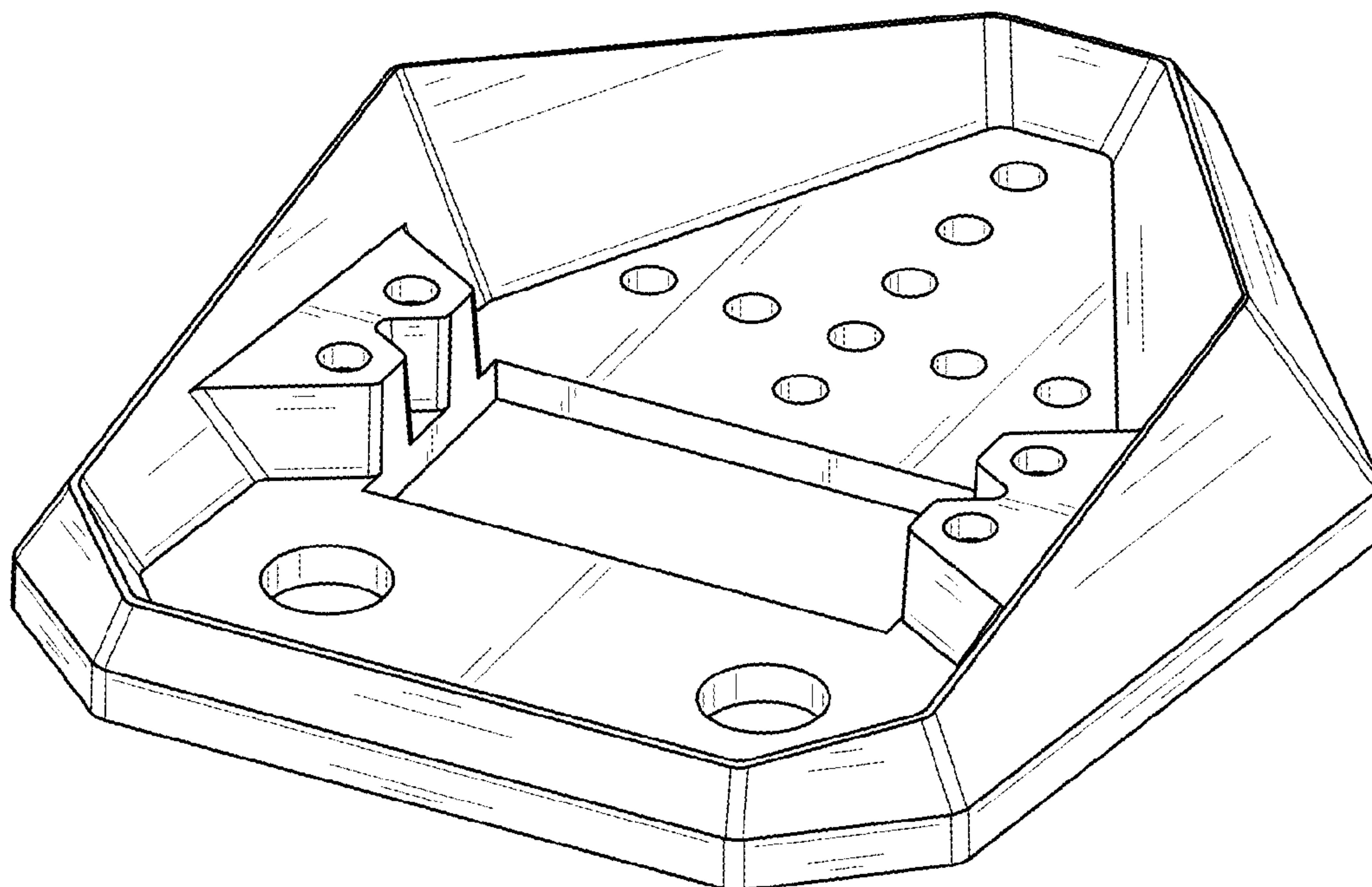
The ornamental design for a bracket, as shown and
described.

DESCRIPTION

FIG. 1 is a front, top, right side perspective view of the
bracket, showing our new design;
FIG. 2 is a front side elevational view thereof;
FIG. 3 is a rear side elevational view thereof;
FIG. 4 is a left side elevational view thereof;
FIG. 5 is a right side elevational view thereof;
FIG. 6 is a top plan view thereof; and,
FIG. 7 is a bottom plan view thereof.

The ornamental design which is claimed is shown in solid
lines in the drawings. Any broken lines in the drawings are
for illustrative purposes only and form no part of the claimed
design.

1 Claim, 5 Drawing Sheets



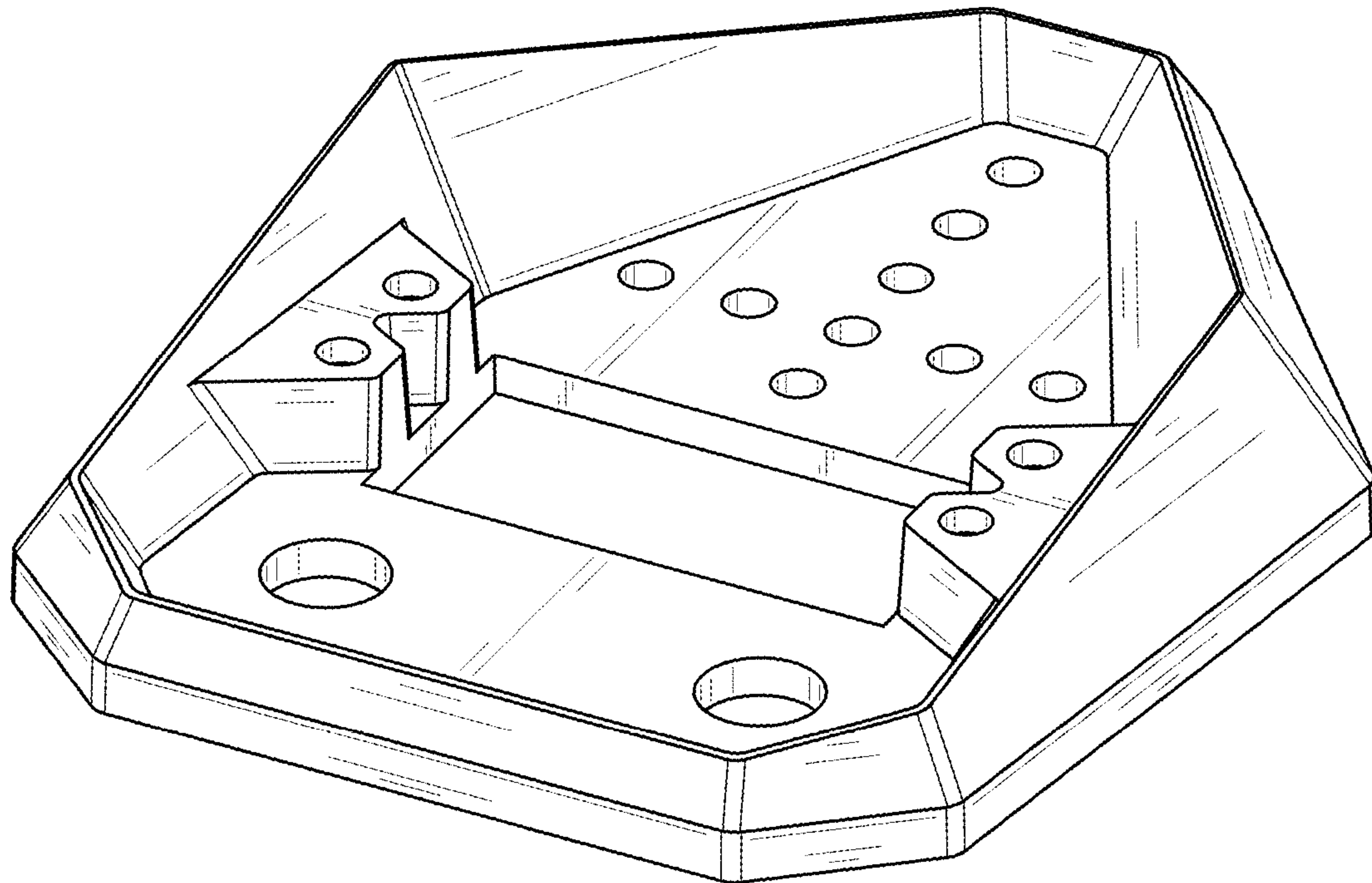


FIG. 1

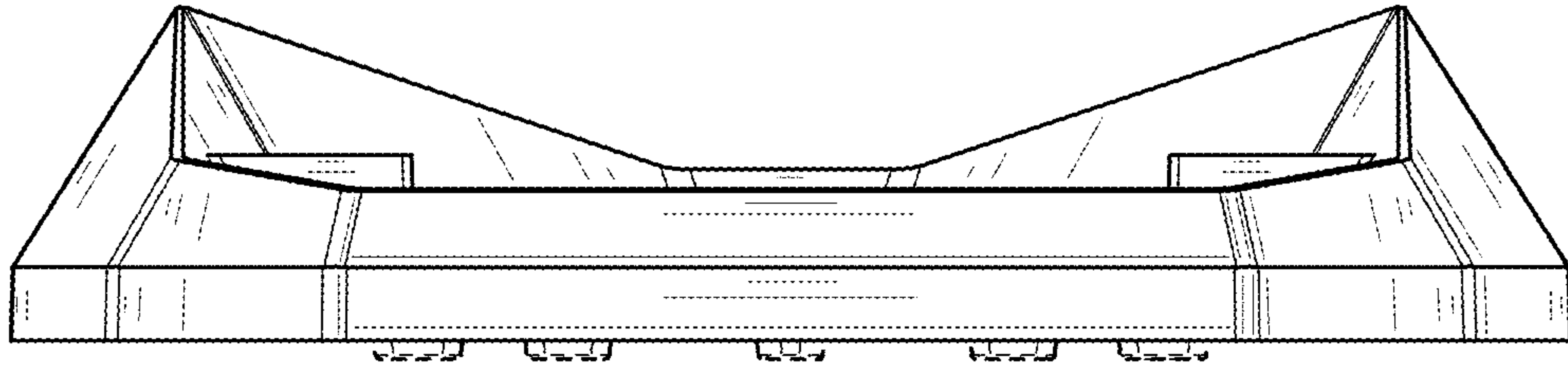


FIG. 2

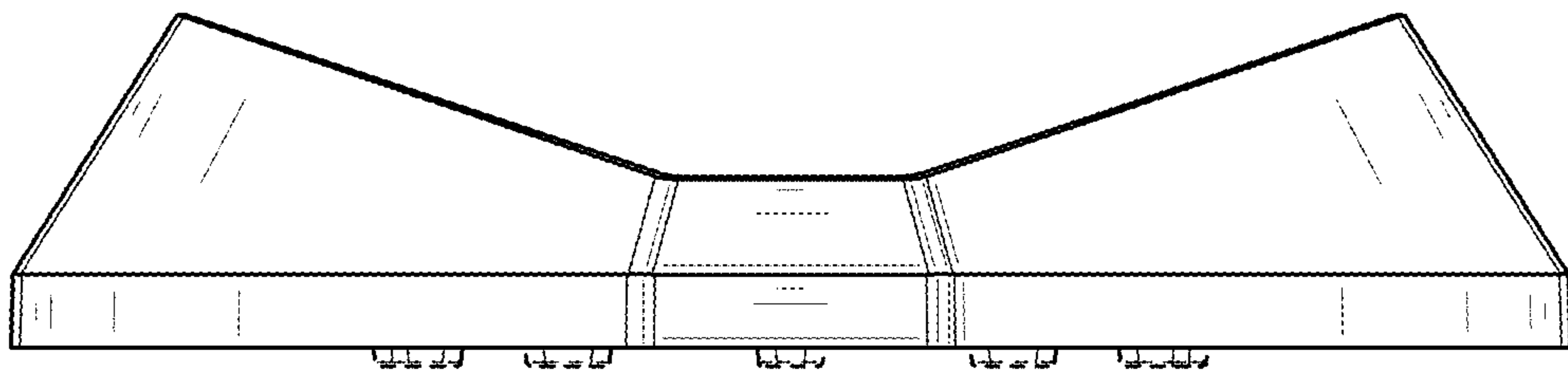


FIG. 3

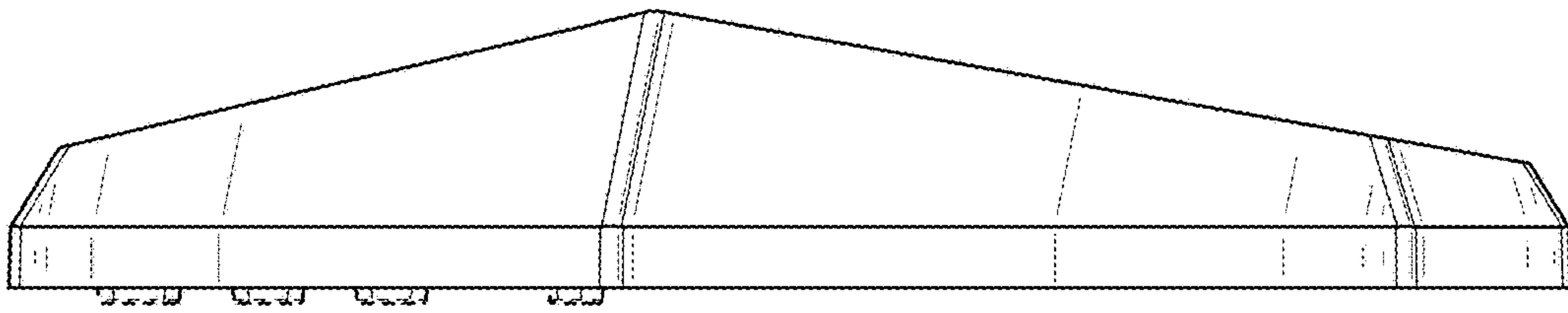


FIG. 4

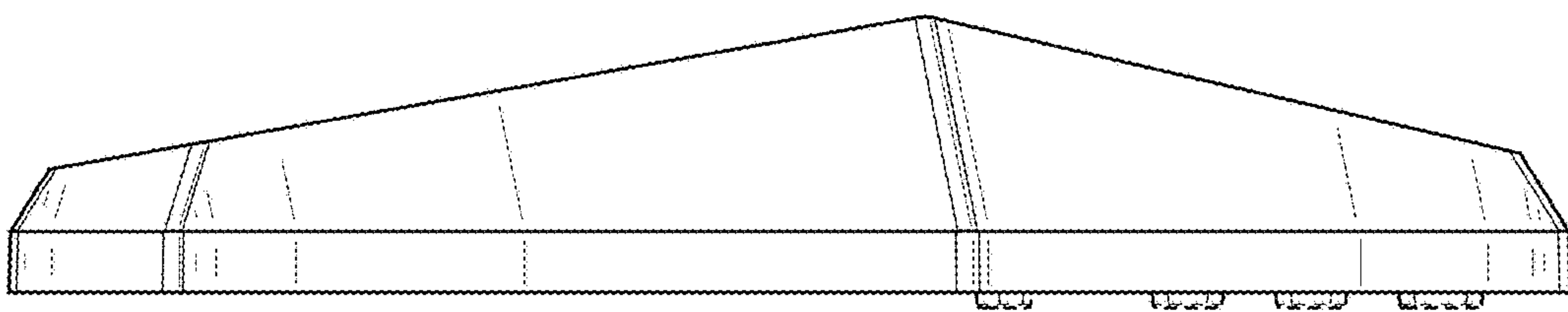


FIG. 5

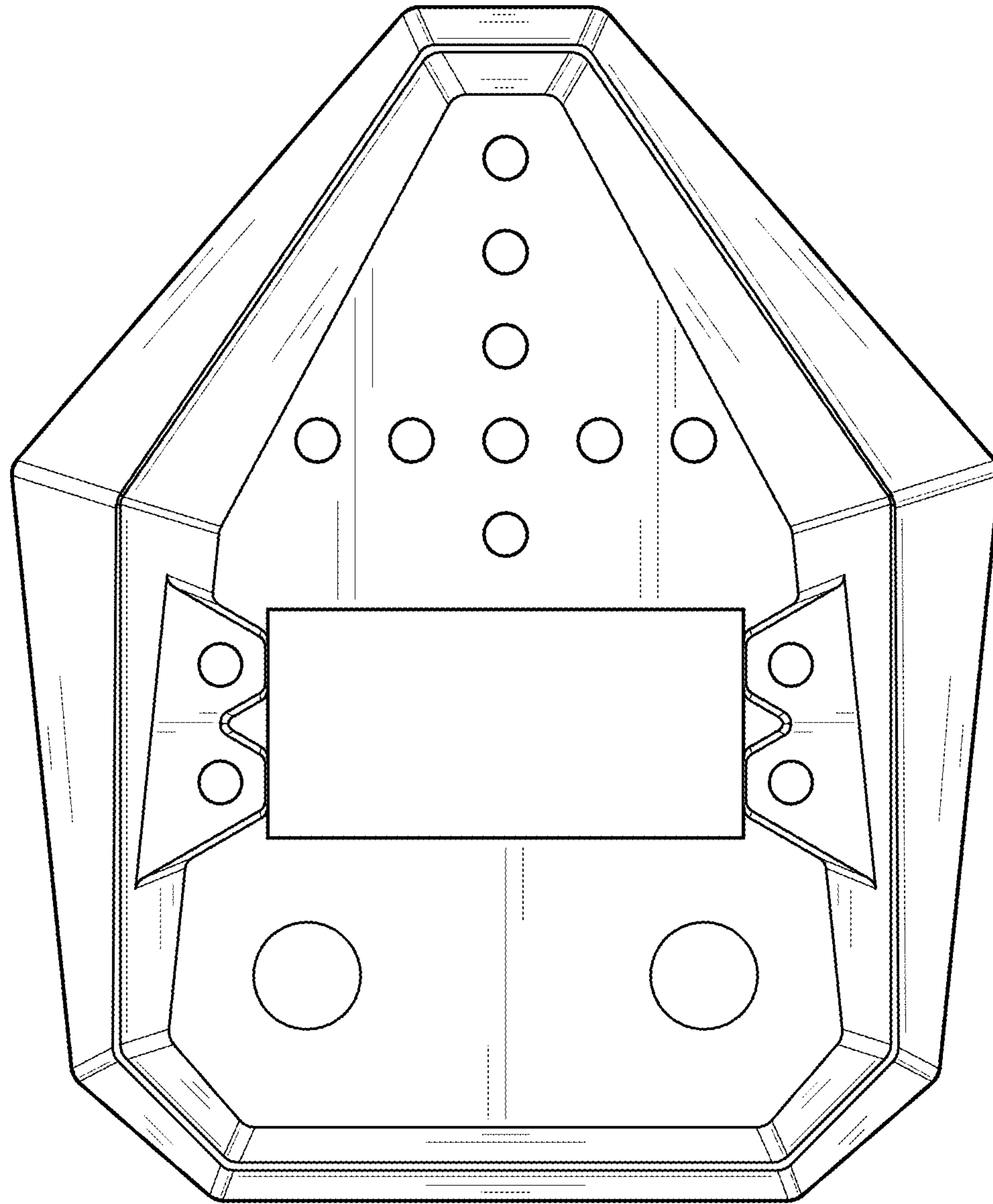


FIG. 6

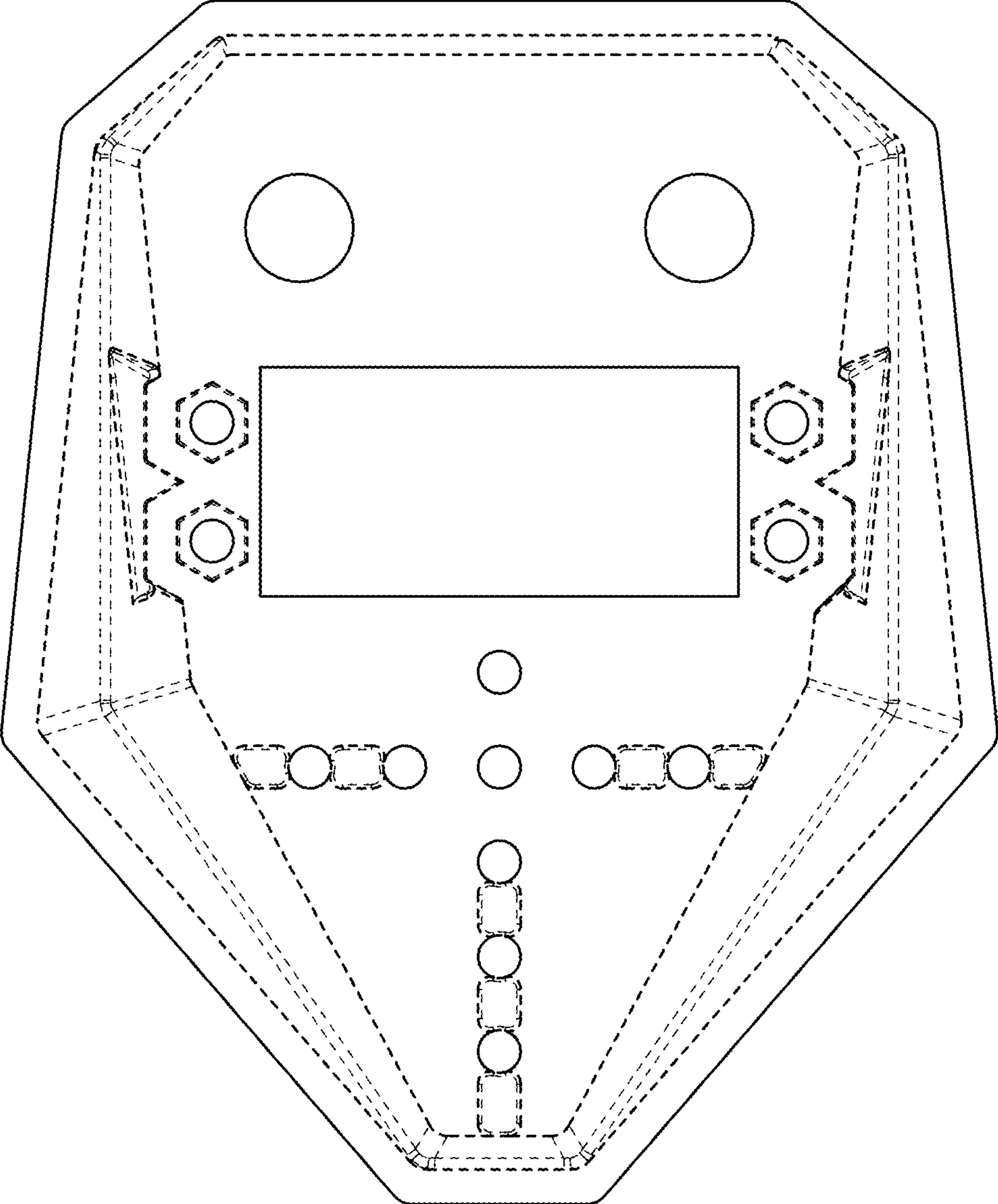


FIG. 7