

US00D795673S

(12) **United States Design Patent** (10) **Patent No.:** **US D795,673 S**
Rittman (45) **Date of Patent:** **** Aug. 29, 2017**

- (54) **DOOR BARRICADE**
- (71) Applicant: **Donald F. Rittman**, Oklahoma City, OK (US)
- (72) Inventor: **Donald F. Rittman**, Oklahoma City, OK (US)
- (**) Term: **15 Years**
- (21) Appl. No.: **29/578,890**
- (22) Filed: **Sep. 26, 2016**

5,364,140 A	11/1994	Rice	
5,605,364 A	2/1997	Shelledy	
D398,831 S *	9/1998	Walton	D8/339
6,619,708 B1 *	9/2003	Naylor	E05C 19/186
			292/259 R
6,705,652 B2 *	3/2004	Engel	E05C 19/003
			292/259 R
6,834,896 B2 *	12/2004	Smith	E05C 19/18
			292/259 R
D540,150 S *	4/2007	Wilson	D8/339
7,770,420 B2	8/2010	Carr	
D632,946 S *	2/2011	Hartgens	E05C 17/30
			D8/339
D648,141 S *	11/2011	Noe	D6/323
D651,415 S *	1/2012	Noe	D6/323
D710,183 S *	8/2014	Huddleston	D8/339
D767,368 S *	9/2016	Sanford	D8/330

Related U.S. Application Data

- (63) Continuation of application No. 14/926,565, filed on Oct. 29, 2015, now abandoned.
- (51) **LOC (10) Cl.** **08-07**
- (52) **U.S. Cl.**
USPC **D8/339; D8/330**
- (58) **Field of Classification Search**
USPC D8/330, 331, 333, 339, 341, 343, 349, D8/354, 382, 394, 400; 70/57.1, 141, 70/164, 224, 431, 465, 466; 292/256, 292/262, 266, 289, 292, 340; 248/70, 73
CPC E05B 15/00; E05B 15/022; E05B 15/024; E05B 17/00; E05B 17/20; E05B 73/00; E05C 19/00; E05C 19/003; E05C 19/005
See application file for complete search history.

* cited by examiner

Primary Examiner — Prabhakar Deshmukh
(74) *Attorney, Agent, or Firm* — Robert C. Montgomery; Montgomery Patent and Design, LP.

(57) **CLAIM**

The ornamental design for a door barricade, as shown and described.

DESCRIPTION

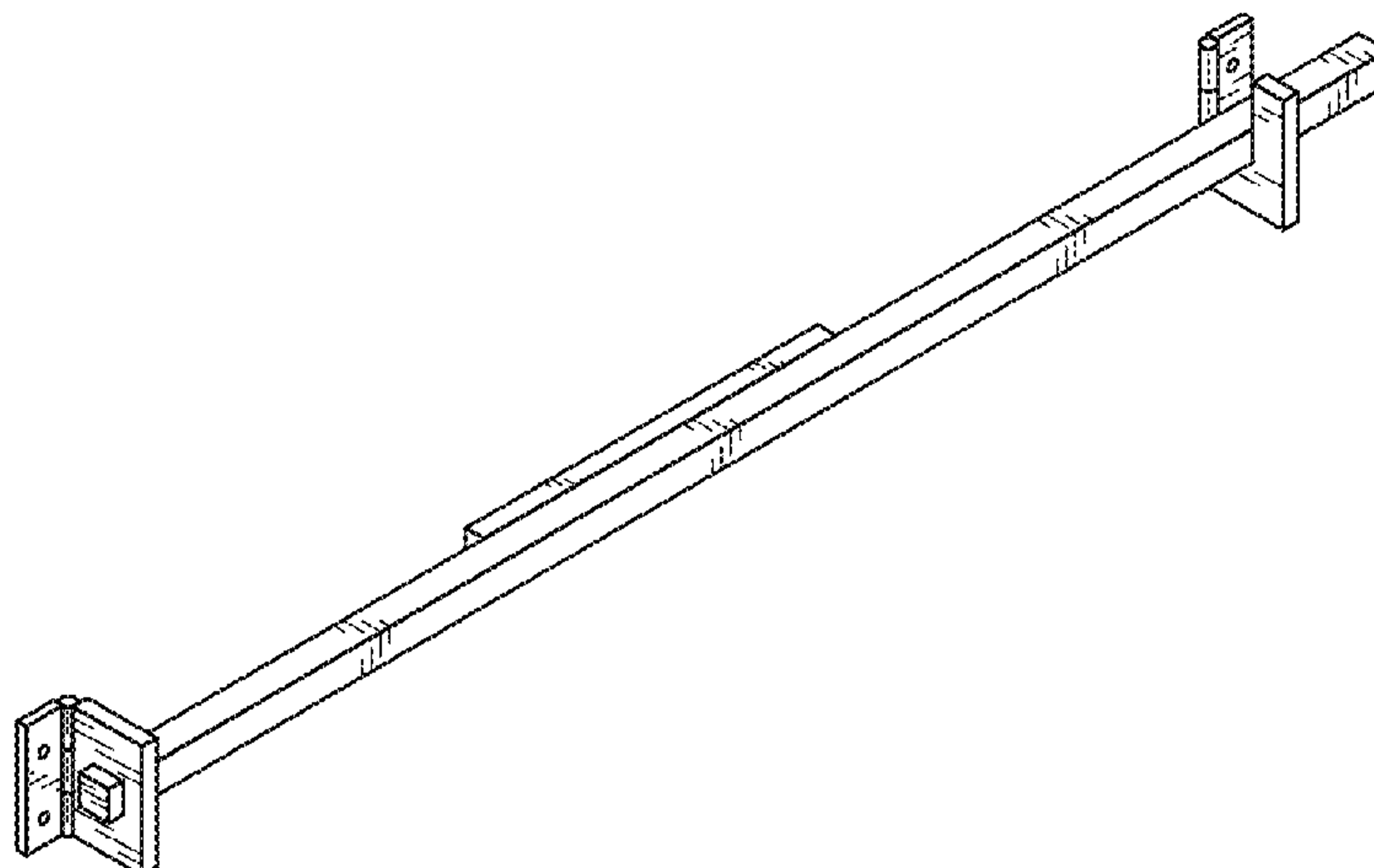
FIG. 1 is a perspective front view of a door barricade in an assembled state, showing my new design; FIG. 2 is a perspective rear view thereof; FIG. 3 is a perspective front view of a door barricade in an unassembled state; FIG. 4 is a perspective rear view thereof; FIG. 5 is a back side elevation view thereof; FIG. 6 is a front side elevation view thereof; FIG. 7 is a left side elevation view thereof; FIG. 8 is a right side elevation view thereof; FIG. 9 is a top side plan view thereof; and, FIG. 10 is a bottom side plan view thereof.

1 Claim, 10 Drawing Sheets

(56) **References Cited**

U.S. PATENT DOCUMENTS

D229,165 S	11/1973	Wormood	
3,819,216 A	6/1974	Richardson	
4,667,992 A	5/1987	Roden, Jr.	
4,671,014 A	6/1987	Lack	
4,771,899 A *	9/1988	Benedict	A47G 25/746
			211/105.3
4,856,831 A	8/1989	Roden, Jr.	
D346,106 S *	4/1994	Walls	D8/339



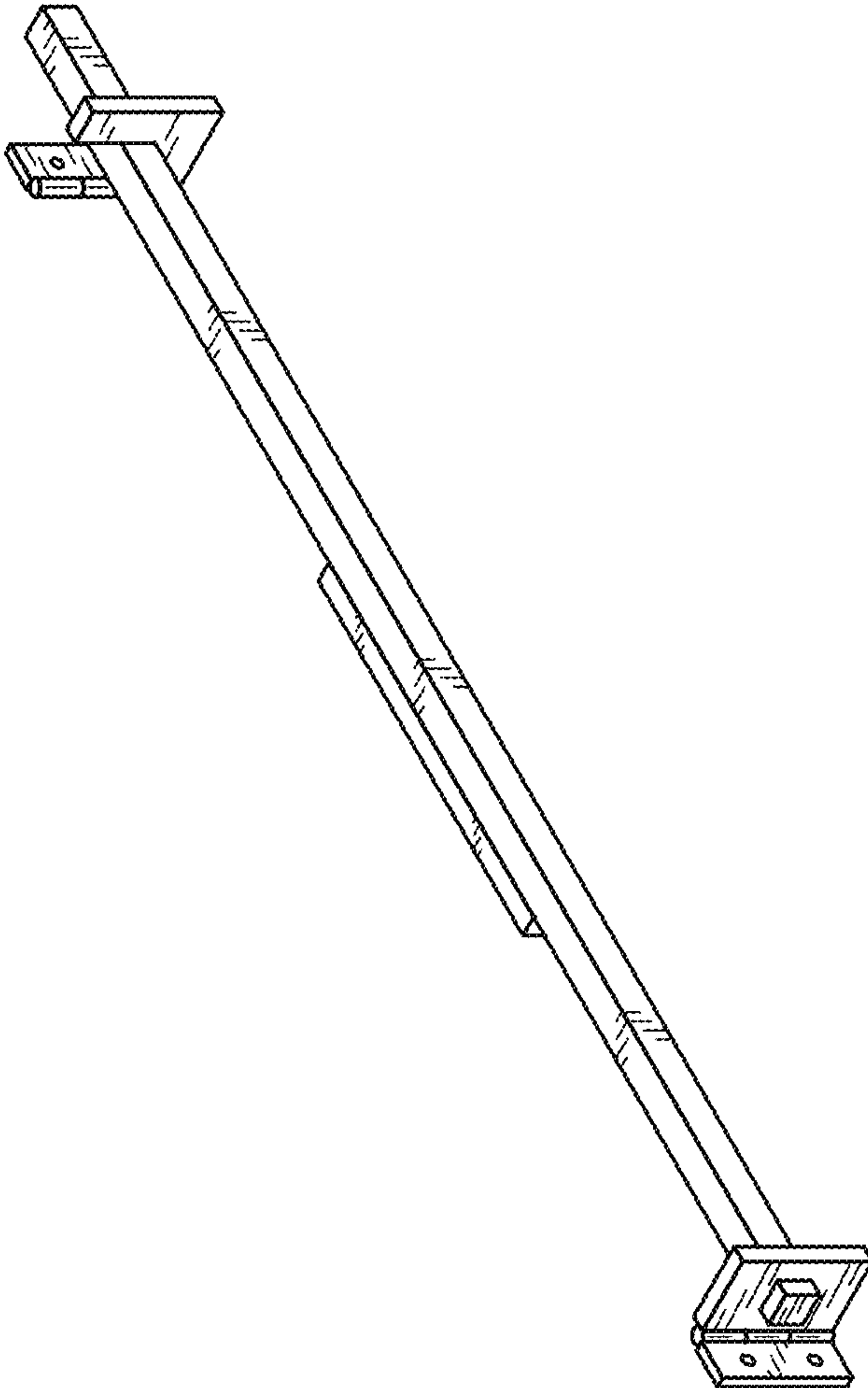


FIG. 1

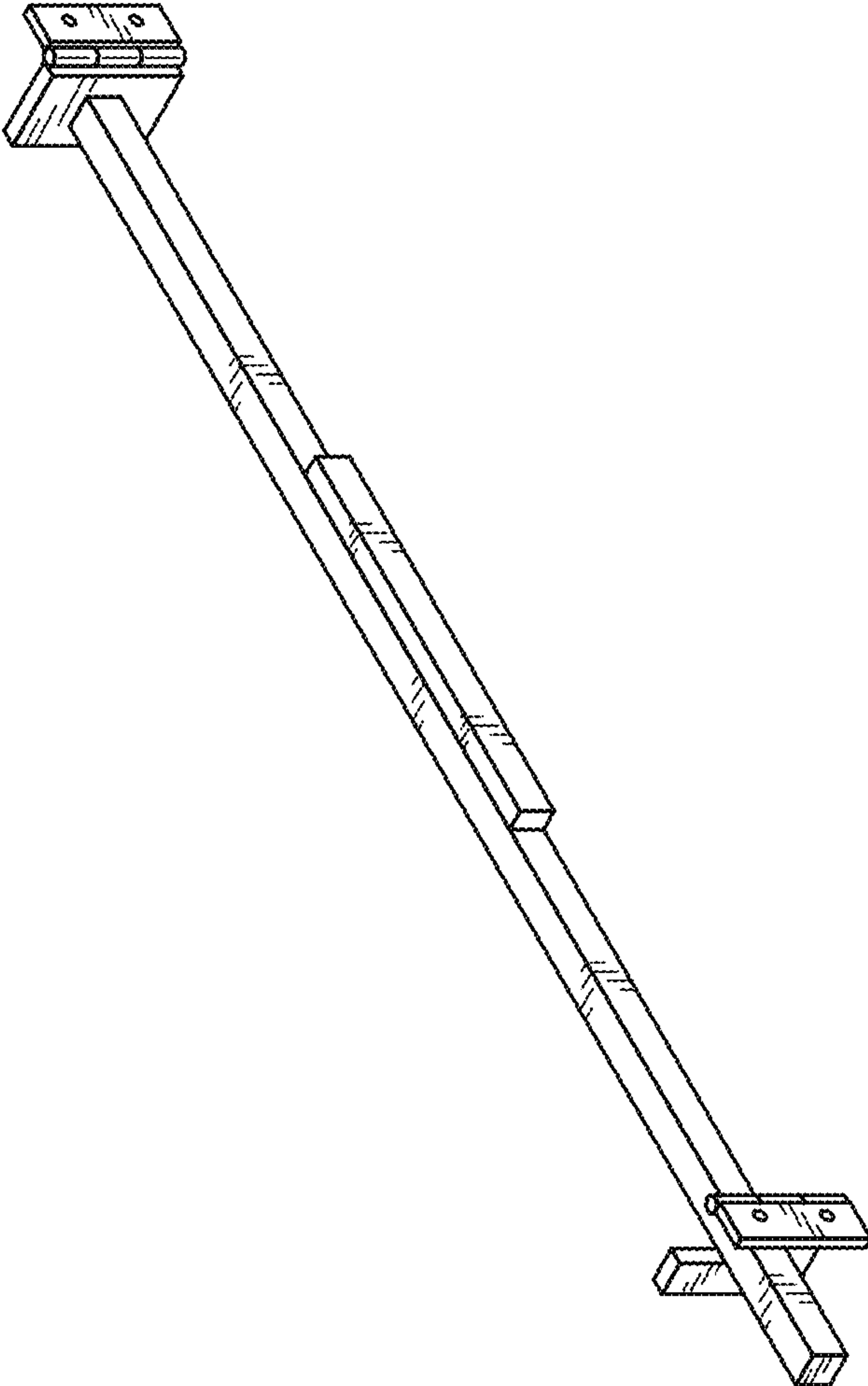


FIG. 2

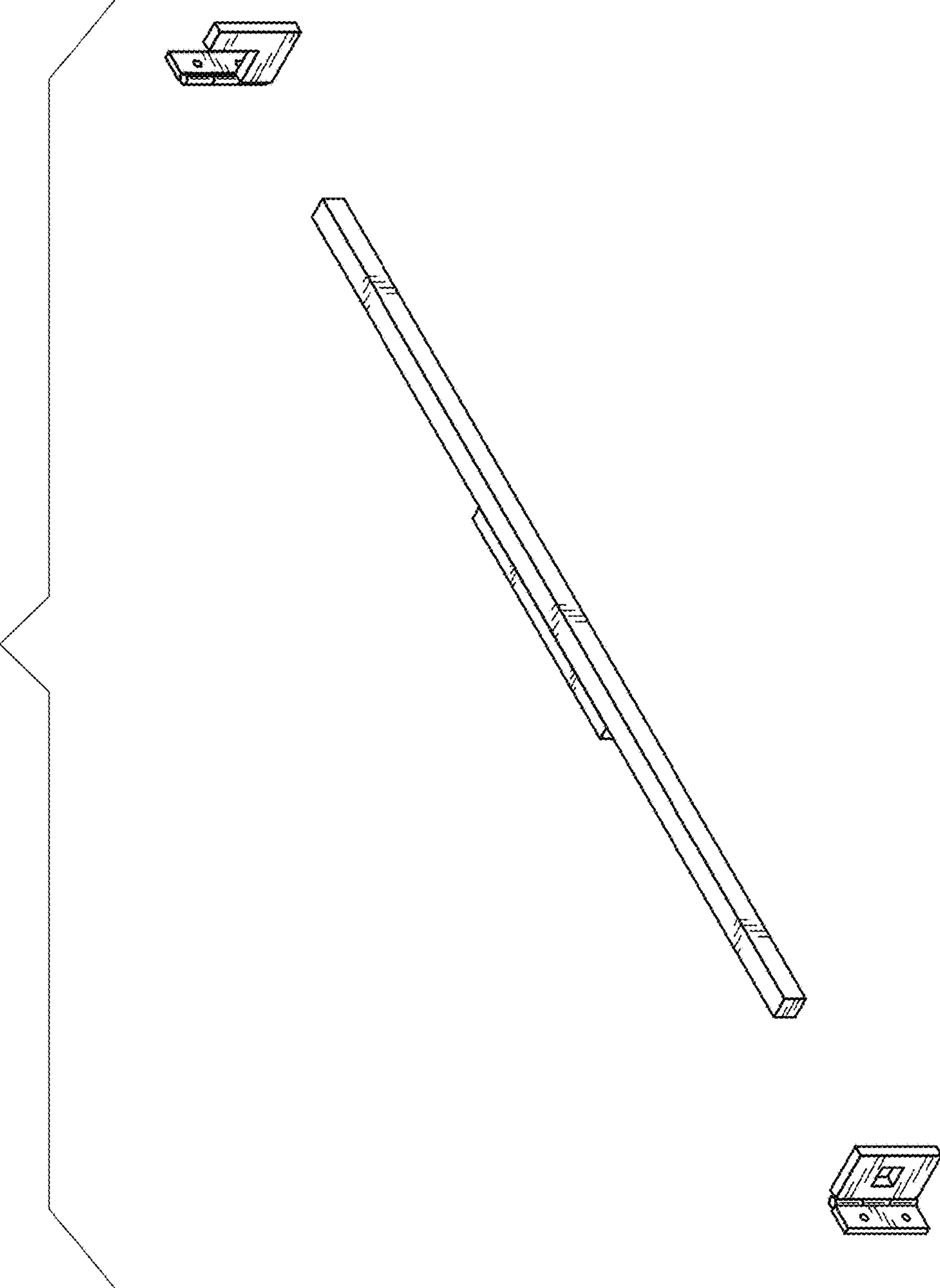


FIG. 3

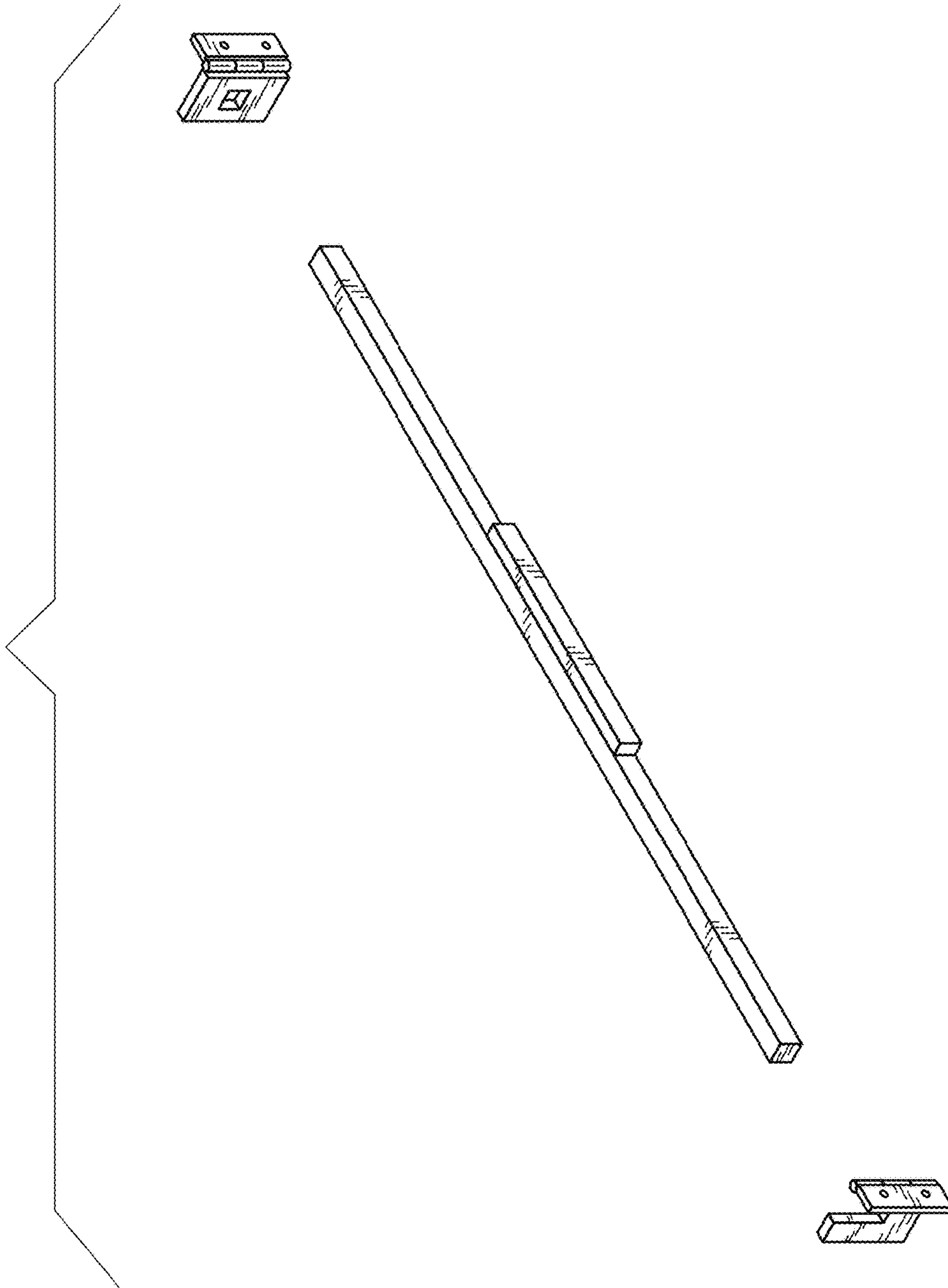


FIG. 4

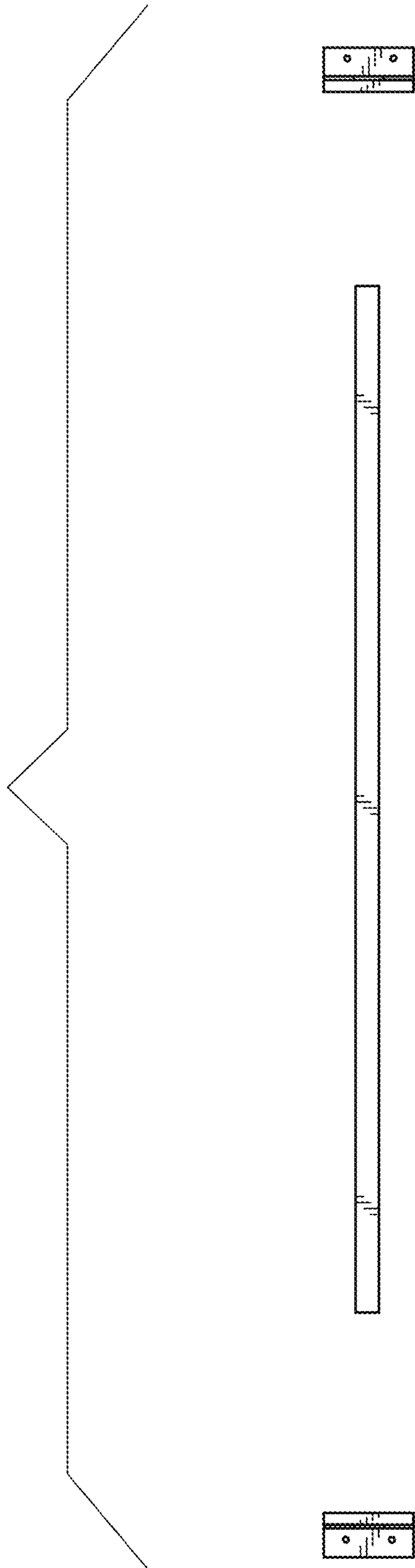


FIG. 5

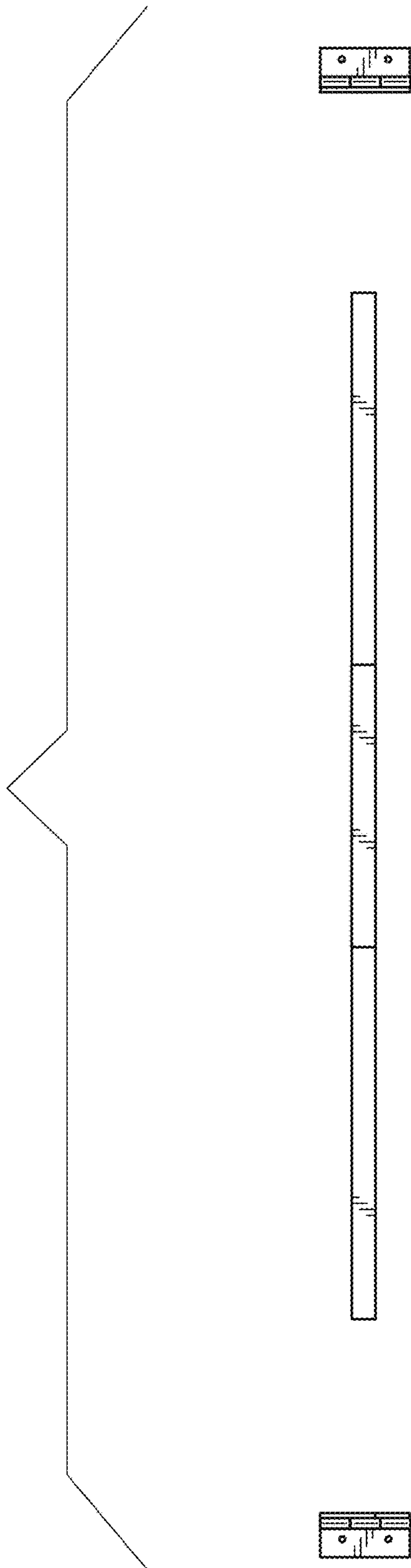


FIG. 6

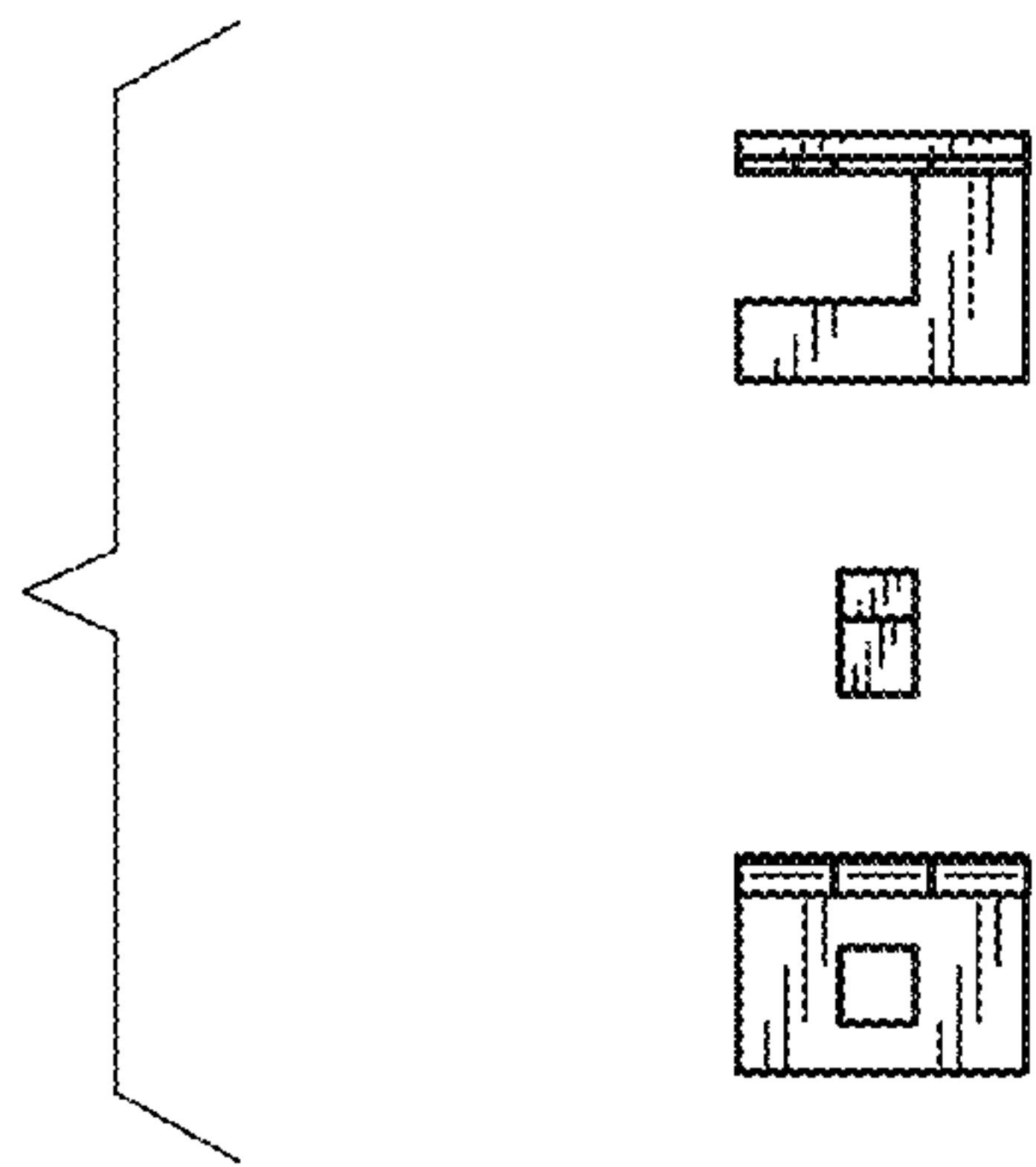


FIG. 7

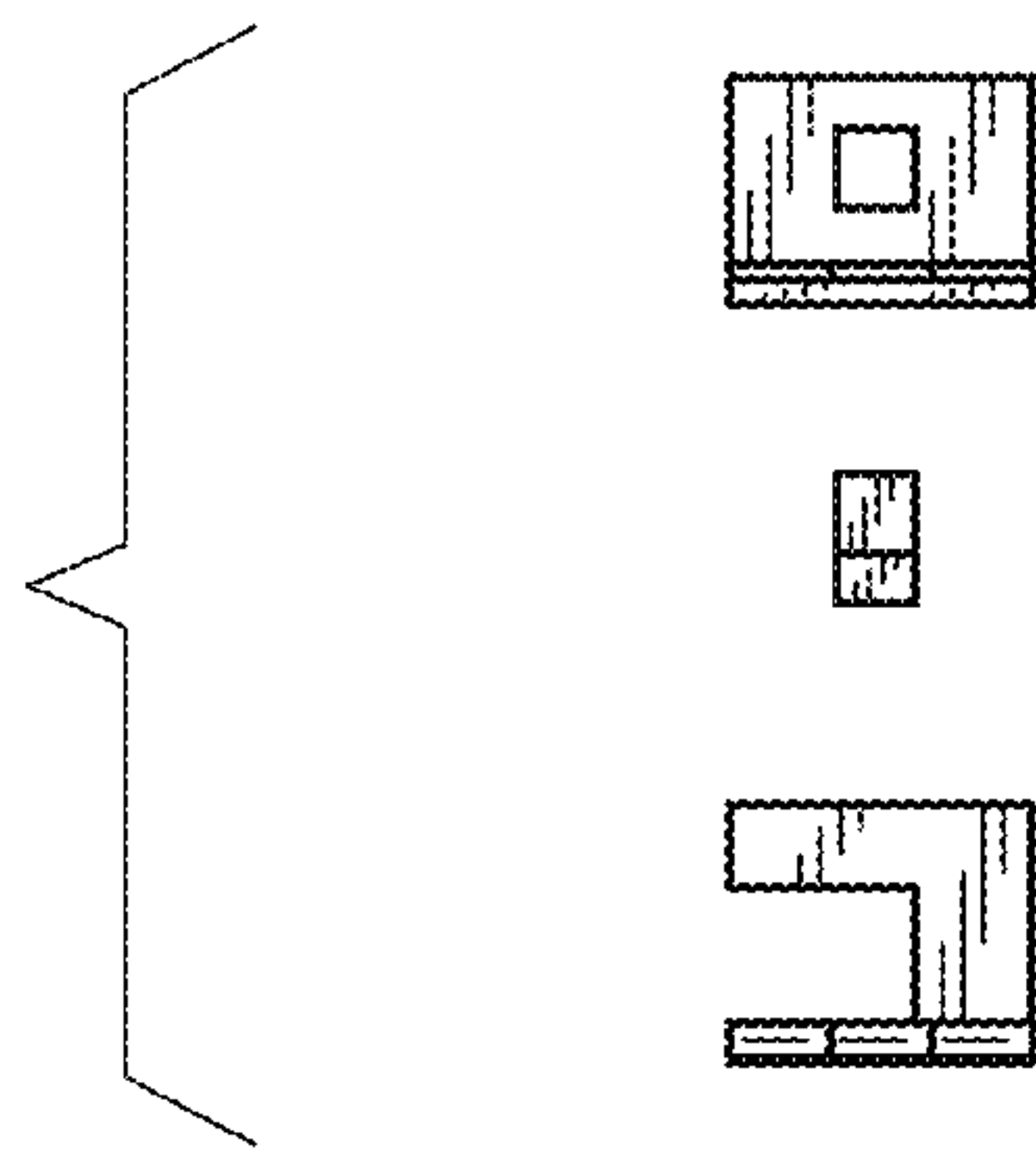


FIG. 8

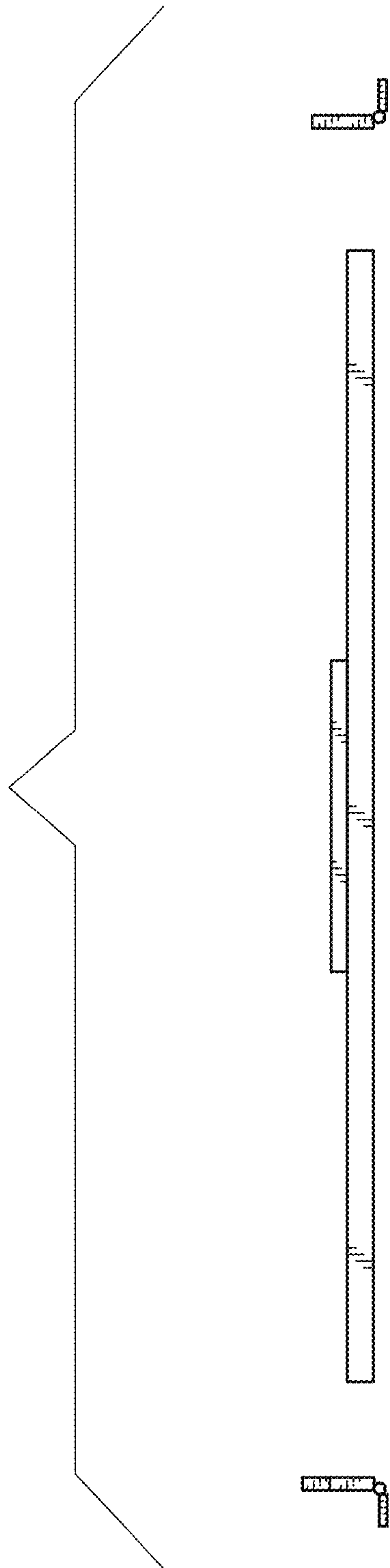


FIG. 9

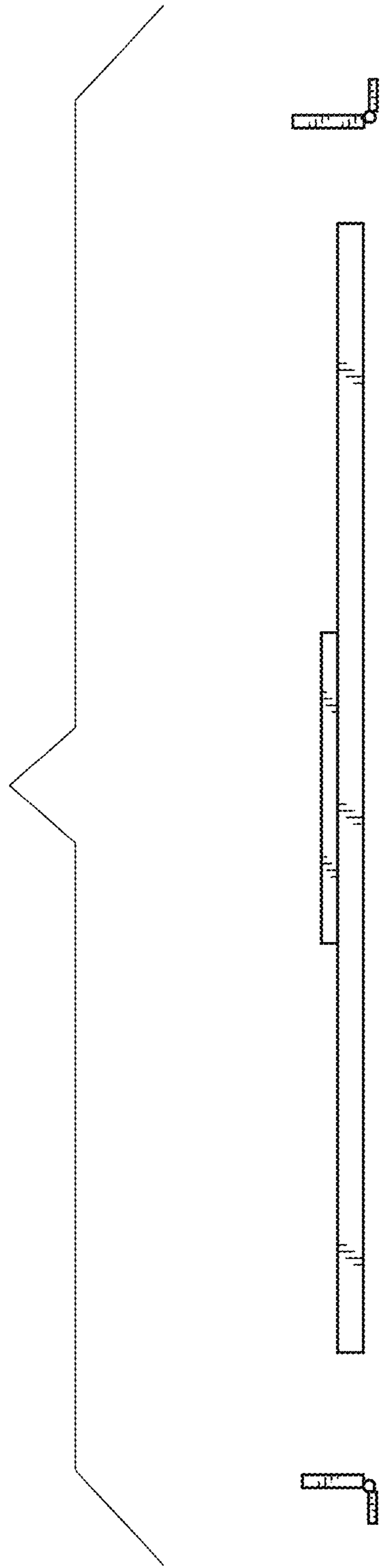


FIG. 10