



US00D795671S

(12) **United States Design Patent**
Cordon et al.

(10) **Patent No.:** **US D795,671 S**

(45) **Date of Patent:** **** Aug. 29, 2017**

(54) **TRUCK COMPARTMENT LATCH**

(71) Applicant: **FORTRESS RESOURCES, LLC,**
Paramount, CA (US)

(72) Inventors: **Sean Carlo Cordon,** Los Angeles, CA
(US); **Dudley DeZonia,** Los Angeles,
CA (US)

(73) Assignee: **FORTRESS RESOURCES, LLC,**
Paramount, CA (US)

(**) Term: **15 Years**

(21) Appl. No.: **29/569,396**

(22) Filed: **Jun. 27, 2016**

(51) **LOC (10) Cl.** **08-07**

(52) **U.S. Cl.**
USPC **D8/331**

(58) **Field of Classification Search**
USPC D8/330, 331, 335, 339, 302, 343;
70/141, 208, 129, 14; 292/336.3, 169,
292/358, 359, 170, 175, 165, 224,
292/140-145, 240-242, DIG. 14, DIG. 30,
292/DIG. 31, DIG. 4, 205
CPC E05B 13/10; E05B 15/00; E05B 65/06;
E05C 3/04; E05C 1/04
See application file for complete search history.

(56) **References Cited**

U.S. PATENT DOCUMENTS

4,509,612 A * 4/1985 Stuart B62D 33/071
180/89.14
5,332,251 A * 7/1994 Farquhar B60D 1/60
280/507

D459,970 S * 7/2002 Niswanger D8/331
6,676,174 B2 * 1/2004 Reynolds B60J 7/19
292/169.14
D506,121 S * 6/2005 Falconer D12/162
D531,484 S * 11/2006 Downing D8/331
D720,599 S * 1/2015 Weinerman D8/331
D729,609 S * 5/2015 Le D8/331

* cited by examiner

Primary Examiner — Prabhakar Deshmukh

(74) *Attorney, Agent, or Firm* — Karish & Bjorgum, PC

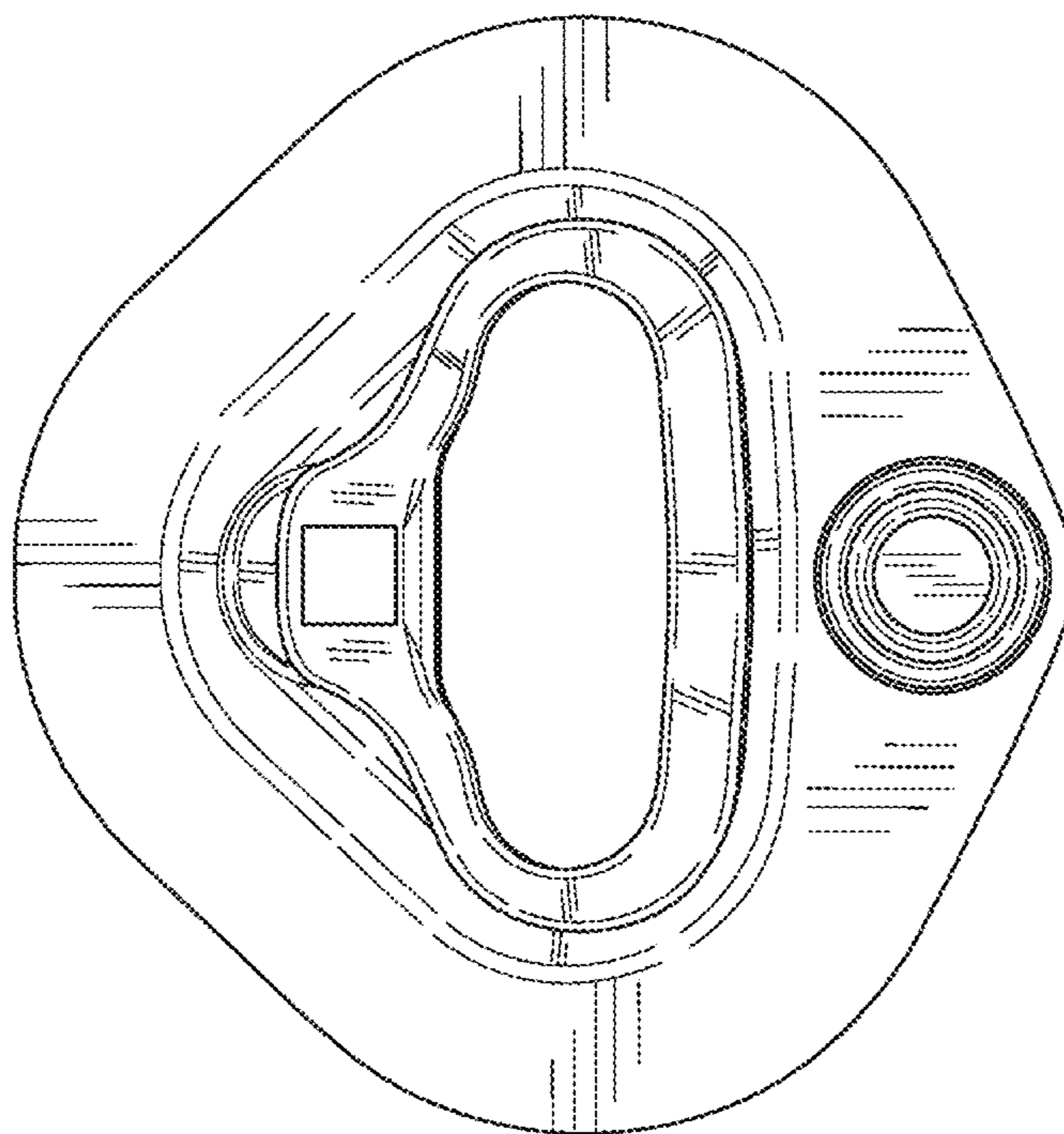
(57) **CLAIM**

The ornamental design for a truck compartment latch, as shown and described.

DESCRIPTION

FIG. 1 is a front elevational view of a truck compartment latch showing my new design;
FIG. 2 is a top plan view thereof;
FIG. 3 is a bottom plan view thereof;
FIG. 4 is a left side elevational view, the right side elevational view being a mirror image thereof; and,
FIG. 5 is a sectional view thereof, taken along the symmetrical center plane of FIG. 1 to show the depth of the central well of the latch plate. The broken lines showing portions of the latch and form no part of the claimed design. The rear side disclaimed.

1 Claim, 5 Drawing Sheets



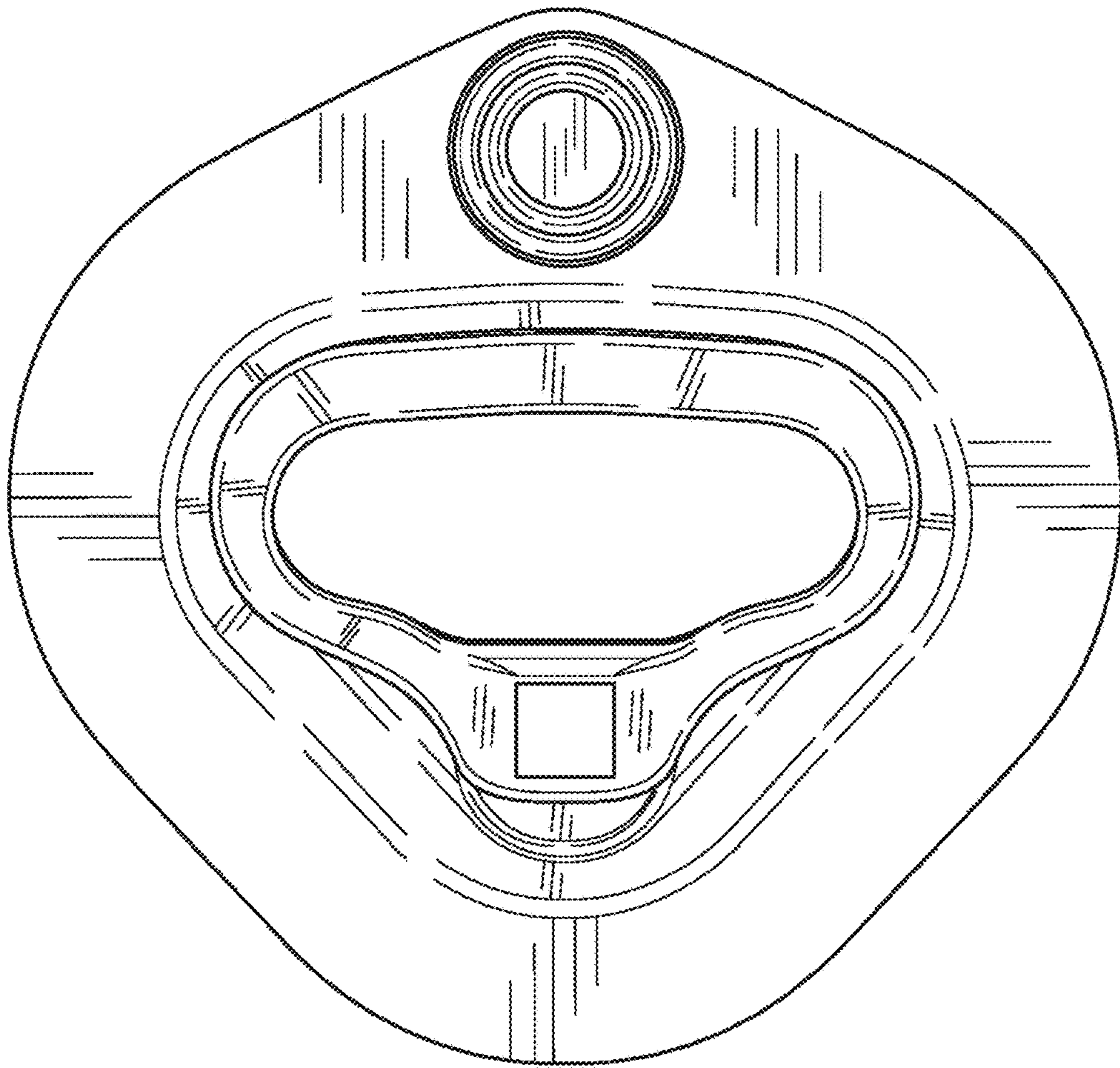


FIG. 1



FIG. 2



FIG. 3



FIG. 4

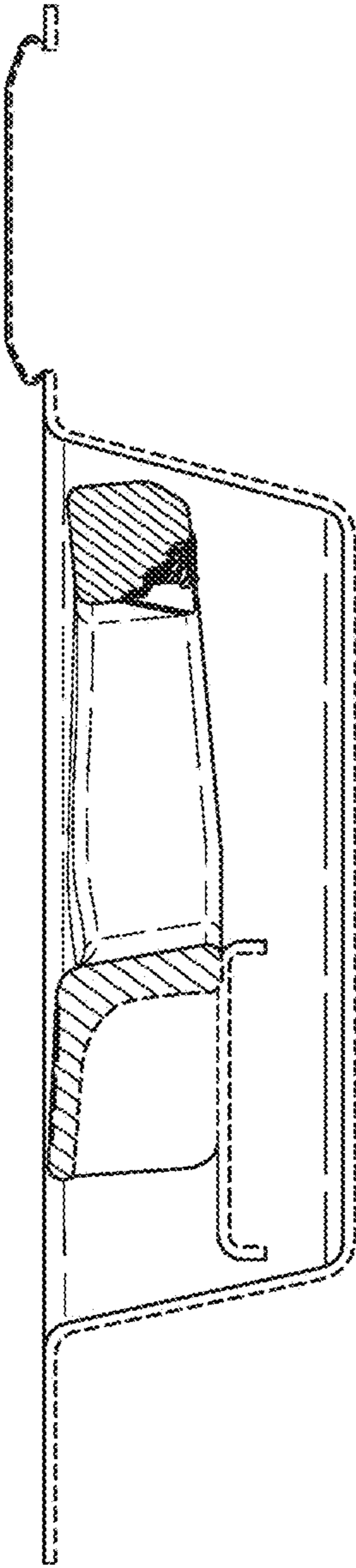


FIG. 5