



US00D795667S

(12) **United States Design Patent** (10) **Patent No.:** **US D795,667 S**
Chen (45) **Date of Patent:** **** Aug. 29, 2017**

(54) **HAMMER**
(71) Applicant: **John Chen**, Taichung (TW)
(72) Inventor: **John Chen**, Taichung (TW)
(**) Term: **14 Years**
(21) Appl. No.: **29/521,097**
(22) Filed: **Mar. 19, 2015**
(51) **LOC (10) Cl.** **08-02**
(52) **U.S. Cl.**
USPC **D8/79**
(58) **Field of Classification Search**
USPC D8/14, 75-81; 254/26 R, 26 E;
81/19-24
CPC ... B25D 1/00; B25D 1/02; B25D 1/04; B25D
1/045; B25D 1/06; B25D 1/10; B25D
1/12; B25G 1/102
See application file for complete search history.

(56) **References Cited**
U.S. PATENT DOCUMENTS
D470,380 S * 2/2003 Huang D8/75
6,619,408 B1 * 9/2003 Lai B25G 1/01
16/110.1
7,066,052 B2 6/2006 Chen
D600,532 S * 9/2009 Templeton D12/101
7,874,231 B2 * 1/2011 Hanlon B25D 1/06
81/22
8,056,443 B2 11/2011 Hanlon
D653,925 S * 2/2012 Hung D8/78
D676,302 S * 2/2013 Vanderbeek D8/75
8,770,548 B2 7/2014 Hanlon
D716,126 S * 10/2014 Dahlberg D8/75

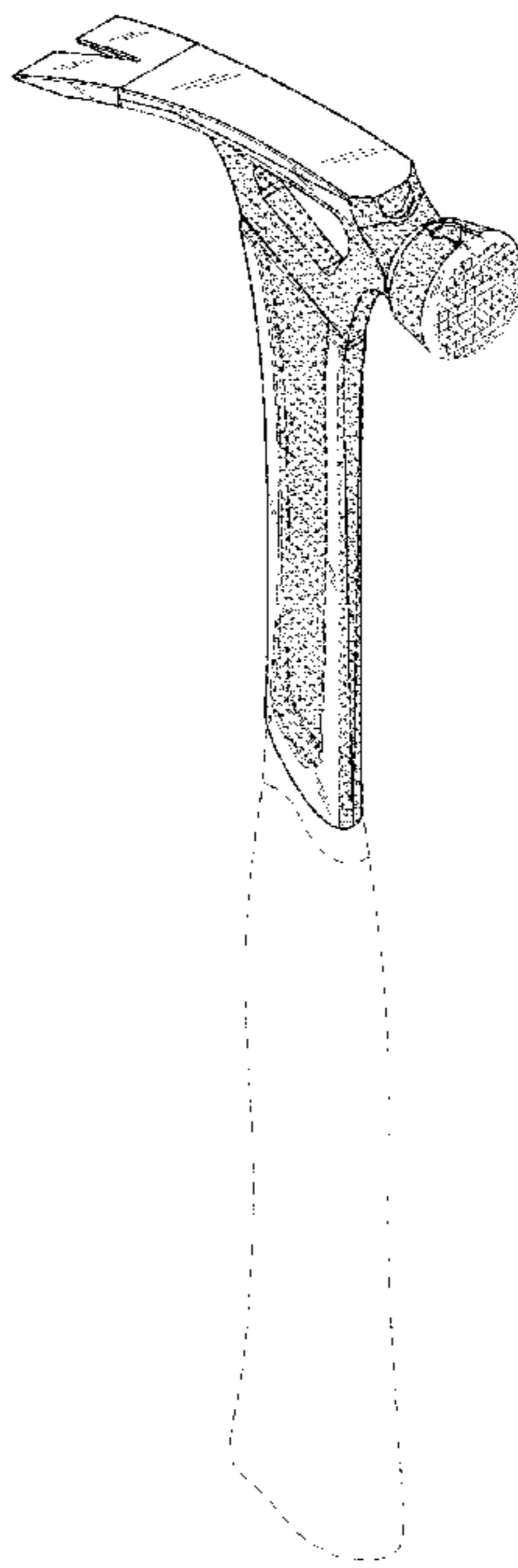
D747,943 S * 1/2016 Hung D8/75
D752,938 S * 4/2016 West D8/78
2012/0091409 A1 * 4/2012 Hanlon B25D 1/06
254/26 R

* cited by examiner
Primary Examiner — Phillip S Hyder
(74) *Attorney, Agent, or Firm* — Winston & Strawn LLP

(57) **CLAIM**
The ornamental design for a hammer, as shown and described.

DESCRIPTION
FIG. 1 is a side view of a hammer showing the new design, illustrating a handle having an exposed top surface along which its left, right, and bottom edges are polished, a nail pull portion of the hammer having a top surface that is polished, and a striking portion of the hammer having a circumscribing peripheral surface that is polished.
FIG. 2 is a side view of the top portion of the hammer design shown in FIG. 1.
FIG. 3 is a front elevational view of the hammer design shown in FIG. 1.
FIG. 4 is a rear elevational view of the hammer design shown in FIG. 1.
FIG. 5 is a top view of the hammer design shown in FIG. 1.
FIG. 6 is a bottom view of the hammer design shown in FIG. 1.
FIG. 7 is a perspective view of the hammer design shown in FIG. 1; and,
FIG. 8 is an enlarged, perspective view of the striking portion of the hammer shown in FIG. 1.
The areas of the hammer such as grip and the area below the claw are depicted by broken lines because they form no part of the claimed design.

1 Claim, 8 Drawing Sheets



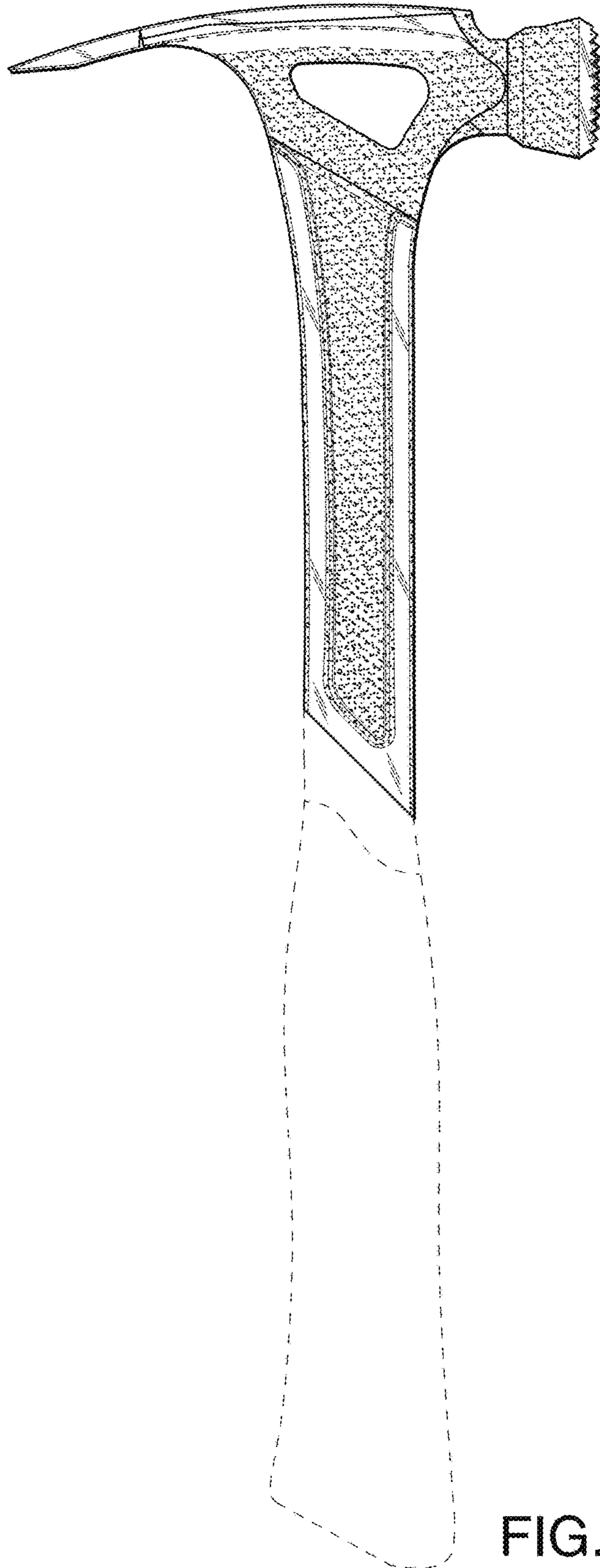


FIG. 1

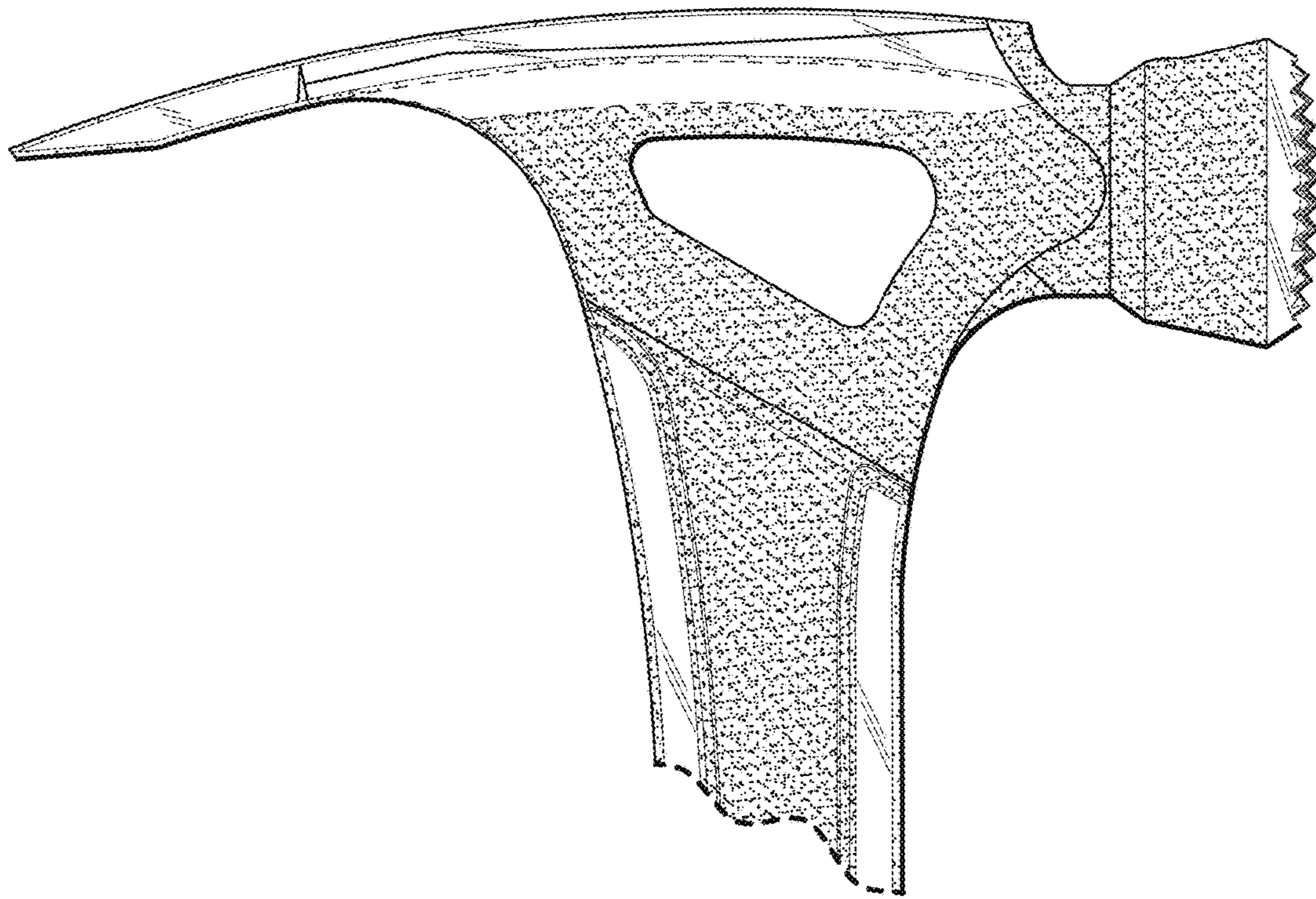


FIG. 2

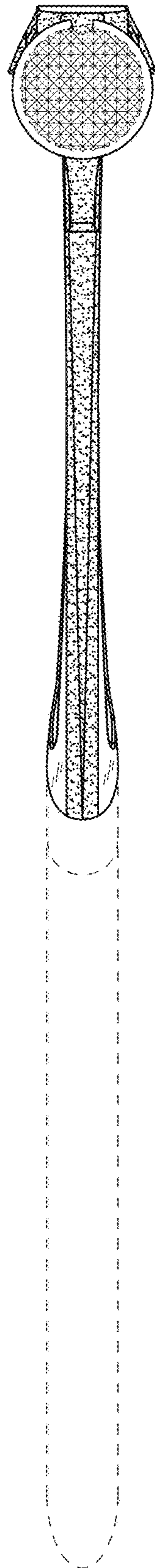


FIG. 3

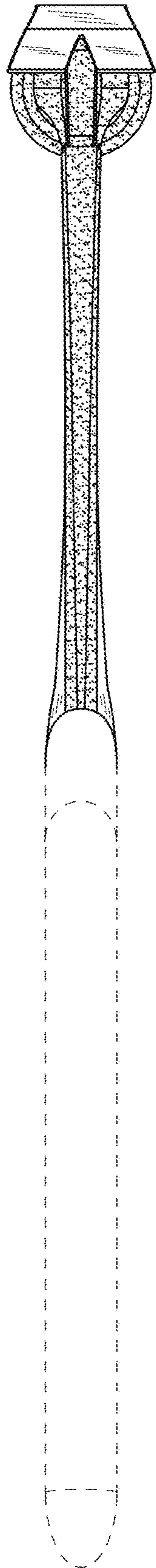


FIG. 4

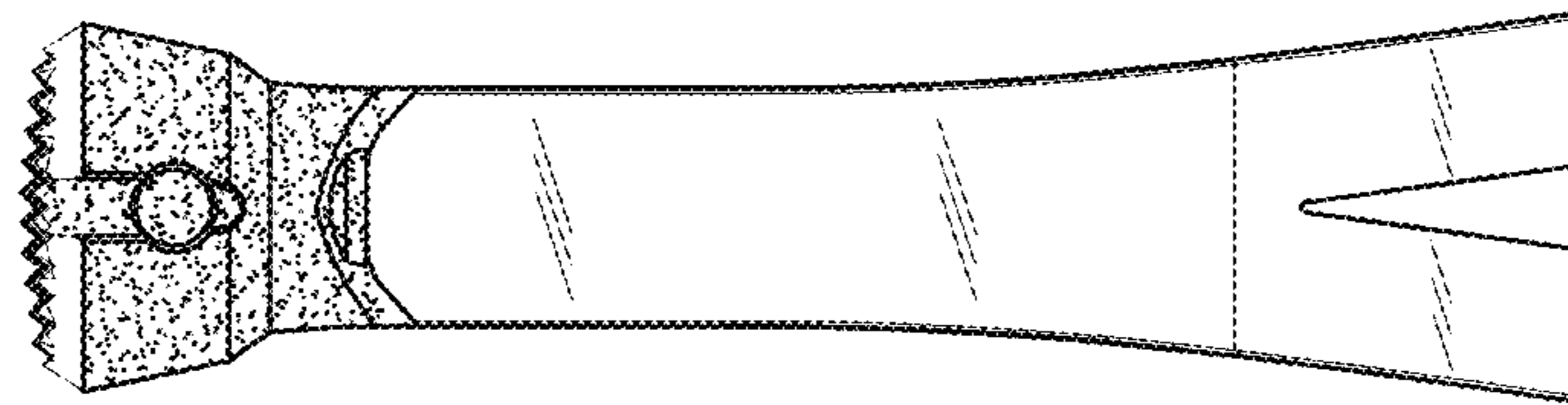


FIG. 5

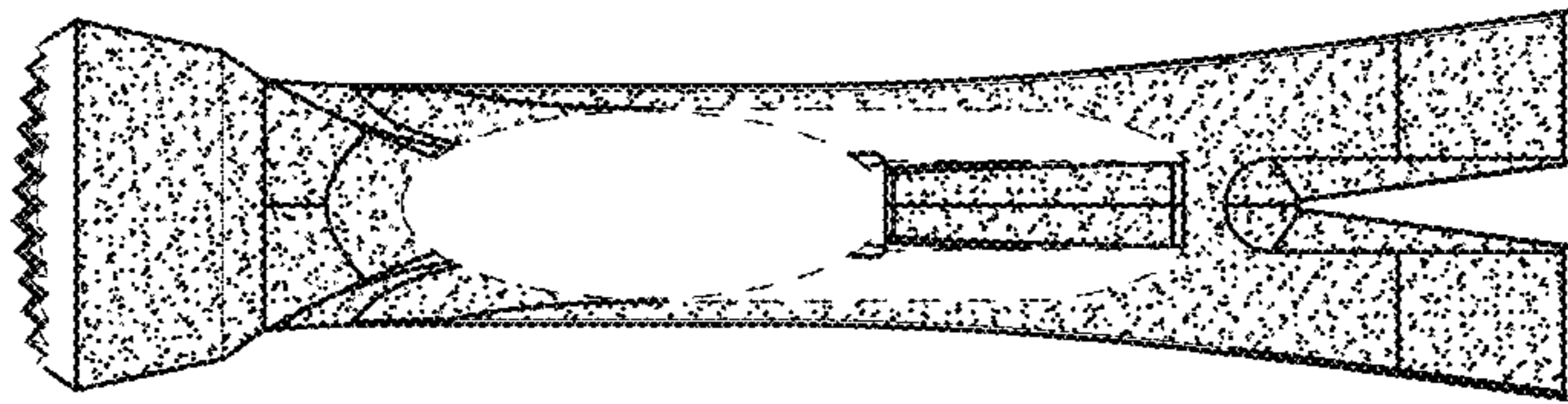


FIG. 6

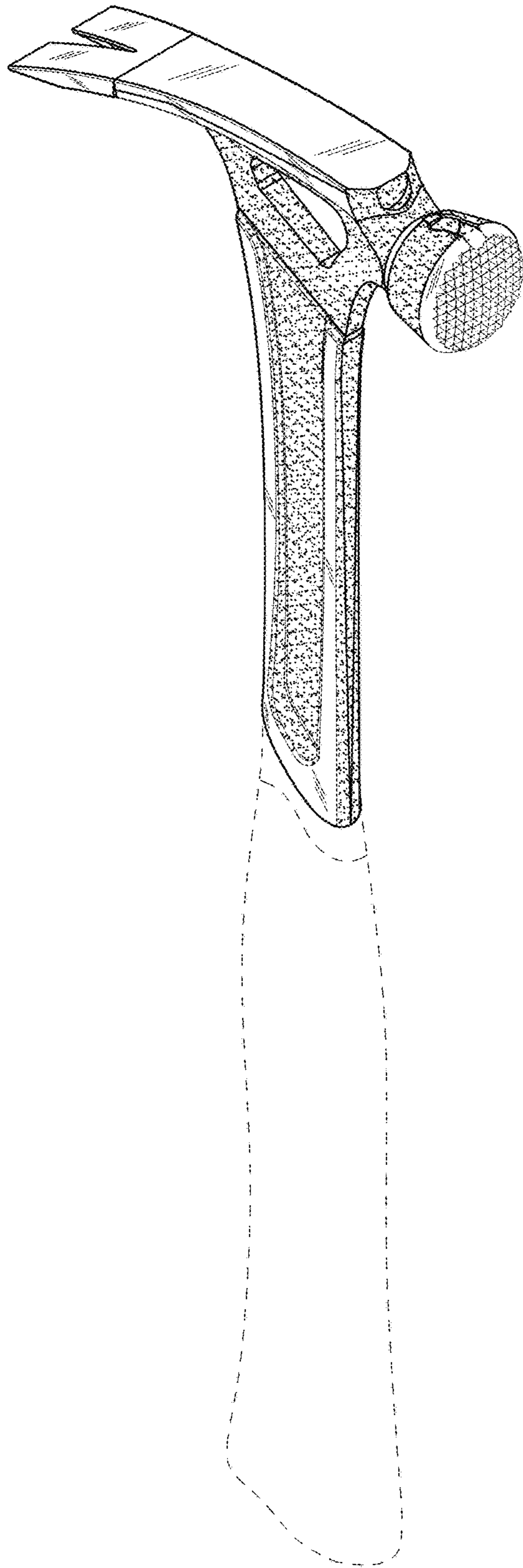


FIG. 7

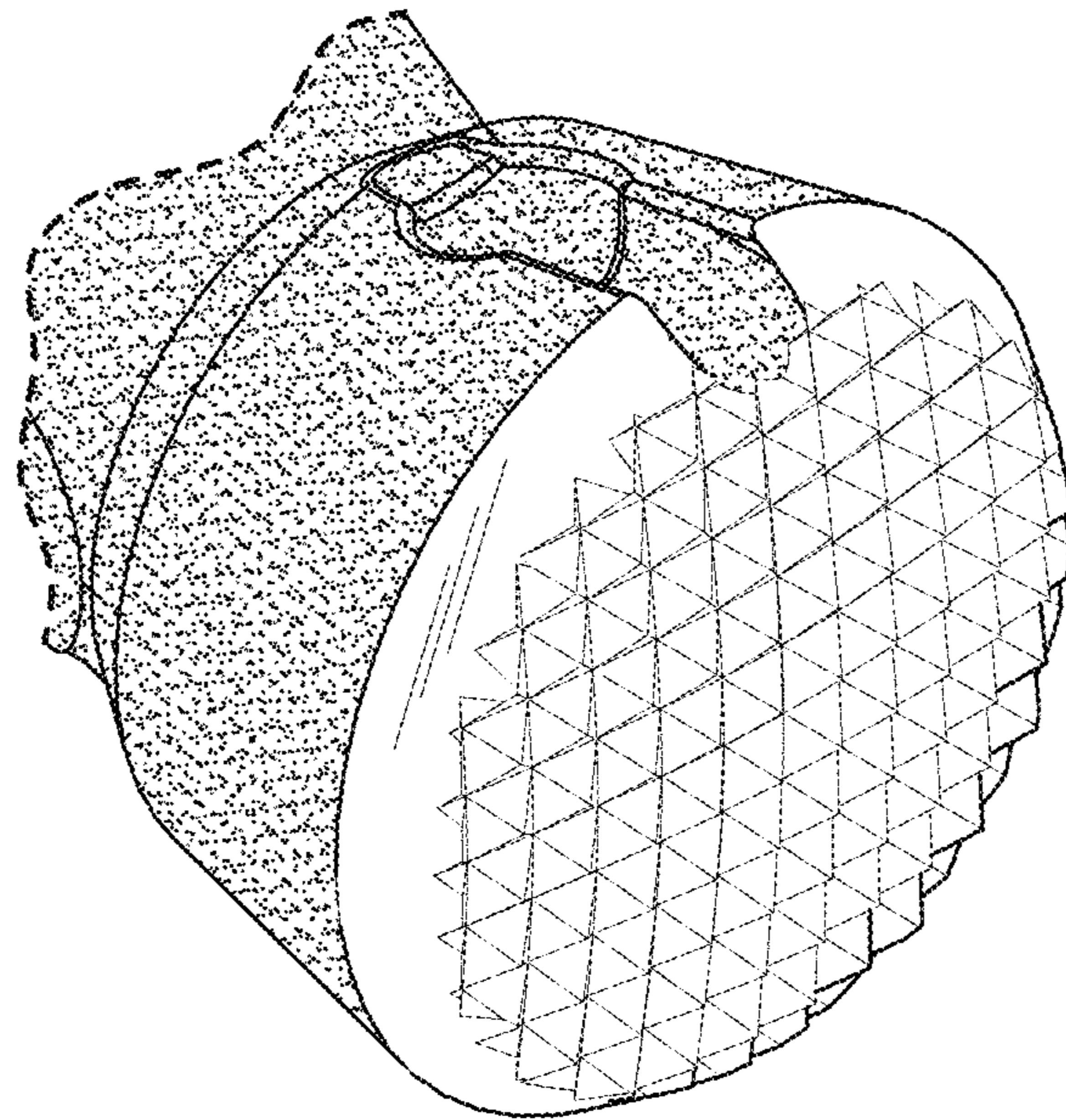


FIG. 8