



US00D795662S

(12) **United States Design Patent** (10) **Patent No.:** **US D795,662 S**
Johnson (45) **Date of Patent:** **** Aug. 29, 2017**

(54) **TOOL FOR REMOVING ROOF SHINGLES**
(71) Applicant: **David M. Johnson**, Wonder Lake, IL (US)
(72) Inventor: **David M. Johnson**, Wonder Lake, IL (US)
(**) Term: **15 Years**
(21) Appl. No.: **29/553,767**
(22) Filed: **Feb. 4, 2016**
(51) **LOC (10) Cl.** **08-01**
(52) **U.S. Cl.**
USPC **D8/13**
(58) **Field of Classification Search**
USPC D8/1, 6, 13
CPC A01D 9/00; A01D 9/02; Y10T 403/4974;
E04D 15/003
See application file for complete search history.

D562,650 S * 2/2008 Thornton D8/13
D565,367 S * 4/2008 Buscher D8/13
D568,698 S * 5/2008 Buscher D8/13
D682,642 S * 5/2013 Baker D8/13
D721,552 S * 1/2015 VanderWoude D8/13
9,149,925 B1 * 10/2015 Van Valin B25G 1/102
2014/0292009 A1 * 10/2014 Hudson A01D 9/00
294/55.5
2016/0366816 A1 * 12/2016 Pilgrim A01D 11/04

* cited by examiner

Primary Examiner — Sheryl Lane
(74) *Attorney, Agent, or Firm* — Mathew R. P. Perrone, Jr.; Joseph Whang

(57) **CLAIM**

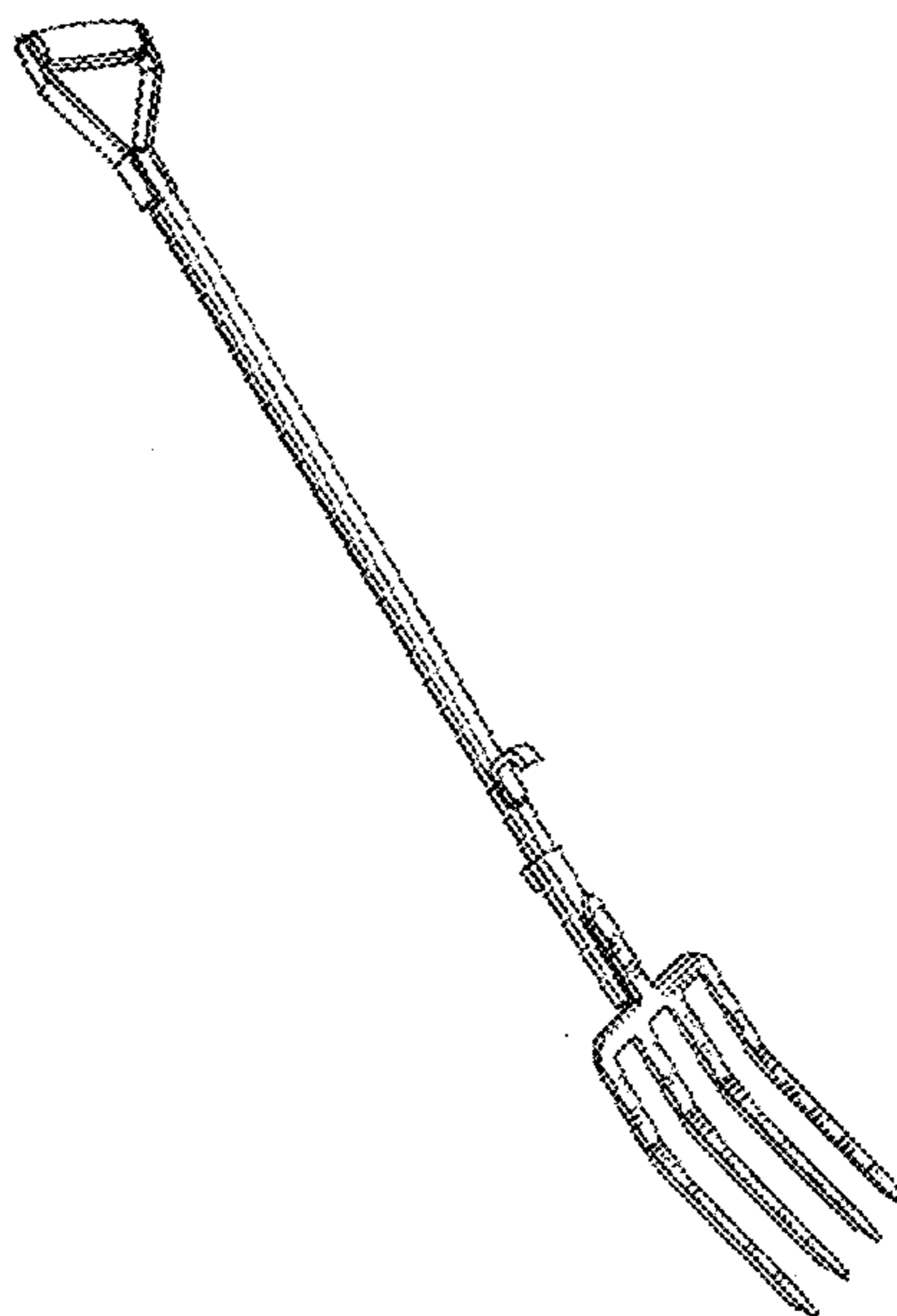
The ornamental design for a tool for removing roof shingles, as shown and described.

DESCRIPTION

FIG. 1 depicts a front perspective view of a tool for removing roof shingles of my invention in use;
FIG. 2 depicts a front elevation view of a tool for removing roof shingles of my invention based on FIG. 1;
FIG. 3 depicts a rear elevation view of a tool for removing roof shingles of my invention based on a reverse view FIG. 2;
FIG. 4 depicts a side elevation view of a tool for removing roof shingles of my invention based on FIG. 1;
FIG. 5 depicts an opposite side elevation of a tool for removing roof shingles of my invention based on a reverse view of FIG. 4;
FIG. 6 depicts a top plan view of a tool for removing roof shingles of my invention based on FIG. 1; and,
FIG. 7 depicts a bottom plan view of a tool for removing roof shingles of my invention based on FIG. 1.

1 Claim, 6 Drawing Sheets

(56) **References Cited**
U.S. PATENT DOCUMENTS
998,407 A * 7/1911 Schwandt A01D 9/00
7/115
1,216,926 A * 2/1917 Bell A01D 9/00
279/90
1,417,901 A * 5/1922 Hembree A01D 9/00
279/90
1,772,181 A * 8/1930 Hightower A01D 9/02
403/246
1,974,027 A * 9/1934 Knick A01D 9/02
15/145
2,688,511 A * 9/1954 Pelletier A01D 9/02
294/59
D398,203 S * 9/1998 Naccarato D8/13
D429,977 S * 8/2000 Claxton D8/13
D430,464 S * 9/2000 Claxton D8/13



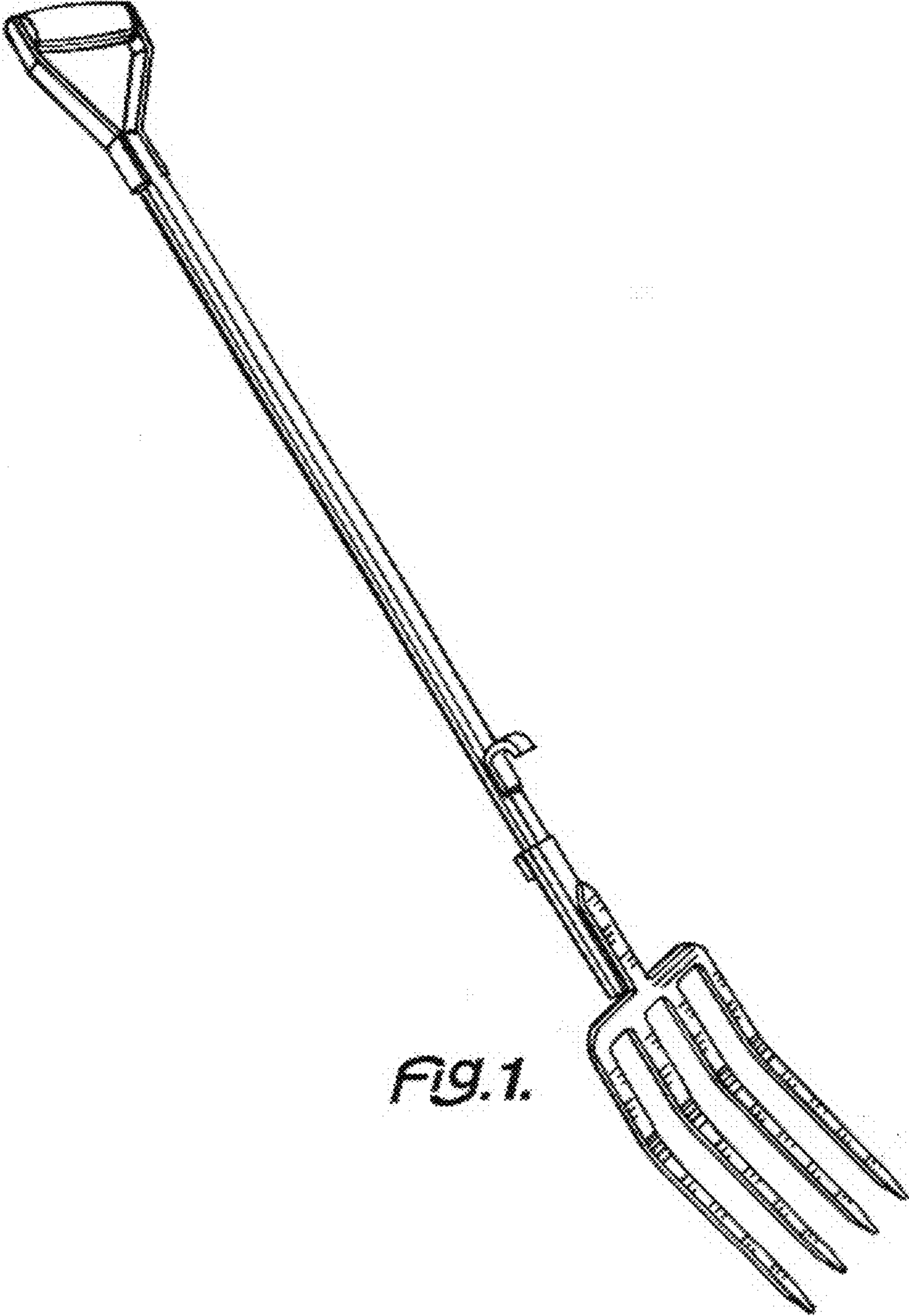


FIG. 1.

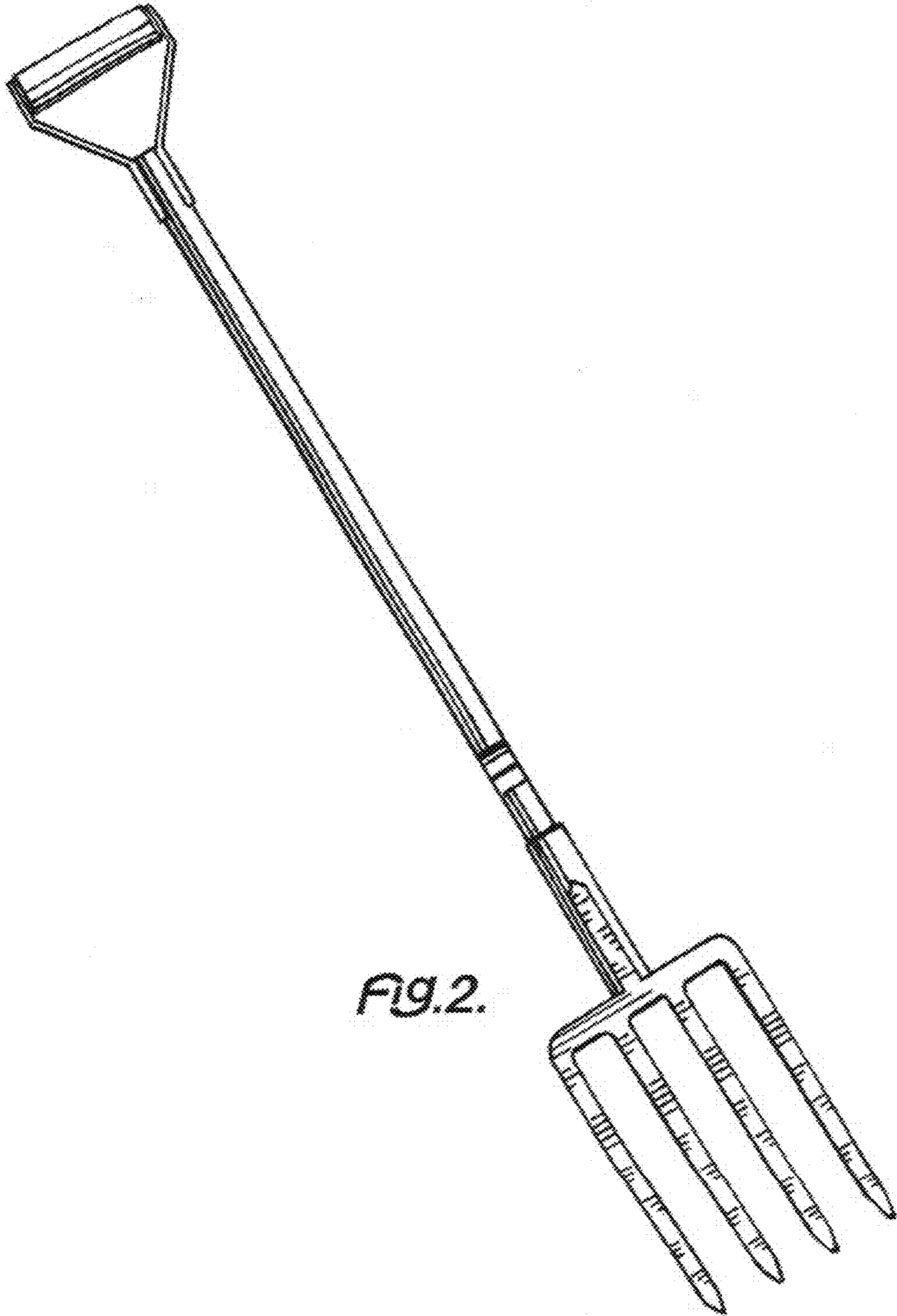


FIG. 2.

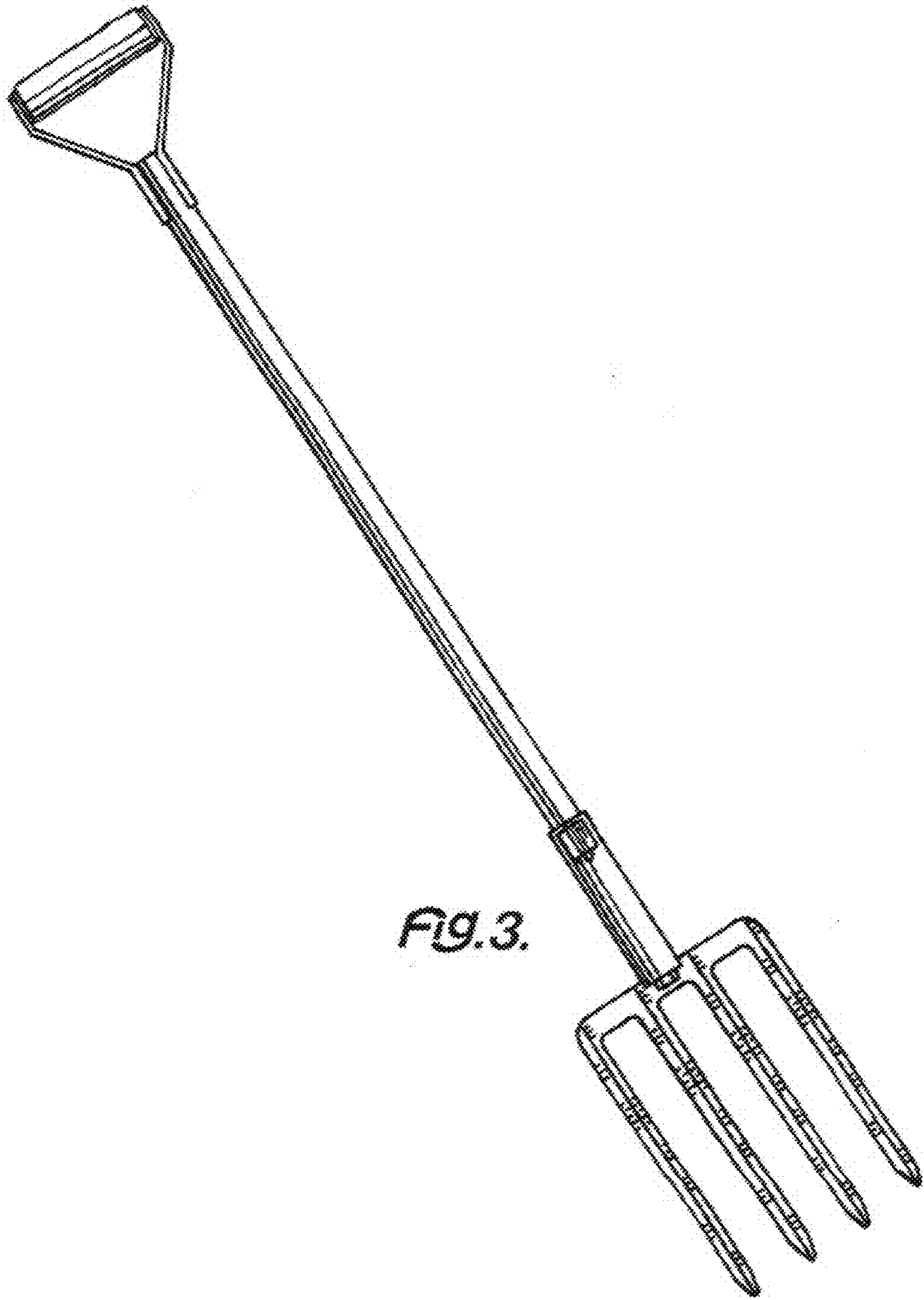


FIG. 3.

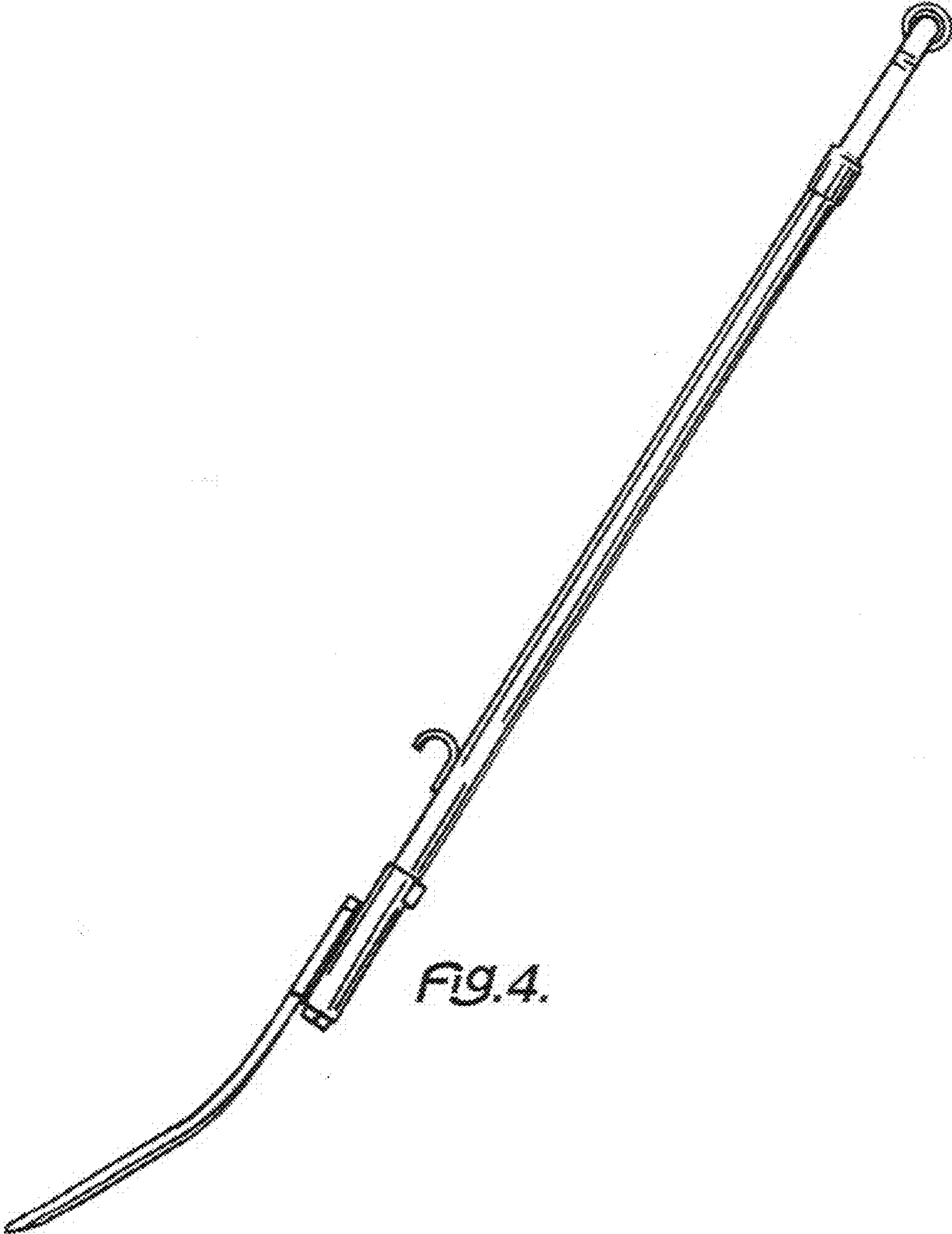


FIG. 4.

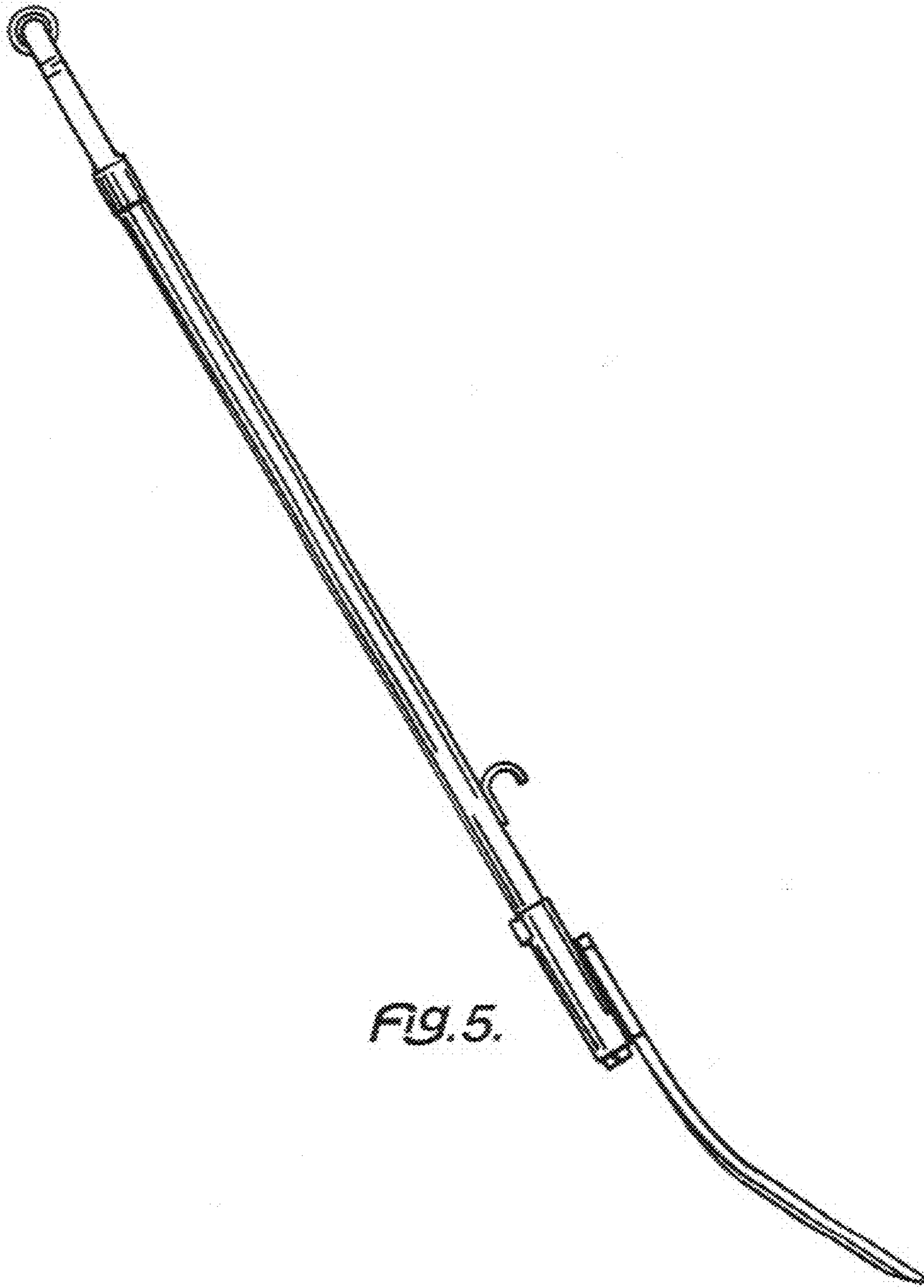


FIG. 5.

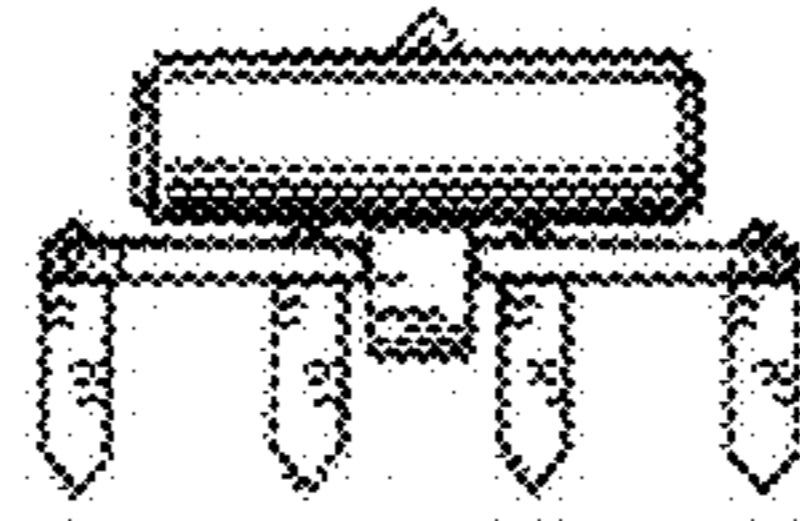


FIG. 6.

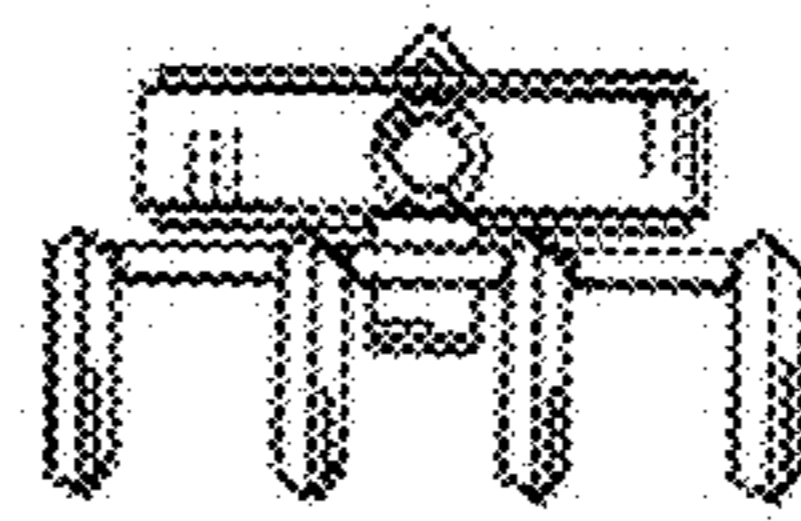


FIG. 7.