

US00D795660S

(12) **United States Design Patent** (10) **Patent No.:** **US D795,660 S**
Lowetz (45) **Date of Patent:** **** Aug. 29, 2017**

(54) **SLICING GUIDE APPARATUS** 4,569,280 A * 2/1986 D'Ambro B26D 3/26
83/435.15
(71) Applicant: **Frederick Anthony Lowetz,** 4,580,343 A * 4/1986 Bell, Jr. B26B 29/063
Weatherford, TX (US) 269/3
(72) Inventor: **Frederick Anthony Lowetz,** D611,779 S * 3/2010 Campbell D7/673
Weatherford, TX (US) 2015/0217470 A1* 8/2015 Lowetz B26B 29/063
83/39

(**) Term: **15 Years**

(21) Appl. No.: **29/570,235**

(22) Filed: **Jul. 6, 2016**

(51) **LOC (10) Cl.** **07-04**

(52) **U.S. Cl.**
USPC **D7/673**

(58) **Field of Classification Search**
USPC D7/672-679, 693-696, 412, 381-385,
D7/408-410, 649-650; 83/856; 99/537;
426/496, 503; D15/136
CPC B26D 3/283; B26D 3/26; B26D 3/185;
B26D 3/03; B26D 3/11; B26D 1/553;
B26D 29/063; B26D 2003/285-2003/288;
B26D 7/00; B26D 7/01; B26D 2210/02;
A47J 25/00; A47J 43/25; A21C 15/04
See application file for complete search history.

(56) **References Cited**

U.S. PATENT DOCUMENTS

2,089,980 A * 8/1937 Owen B26B 29/063
D7/673
2,108,992 A * 2/1938 Obenshain B26B 29/063
83/762

* cited by examiner

Primary Examiner — Susan Bennett Hattan
Assistant Examiner — Brett Miller
(74) *Attorney, Agent, or Firm* — Aaron P. Peacock;
Gagnon, Peacock & Vereeke P.C.

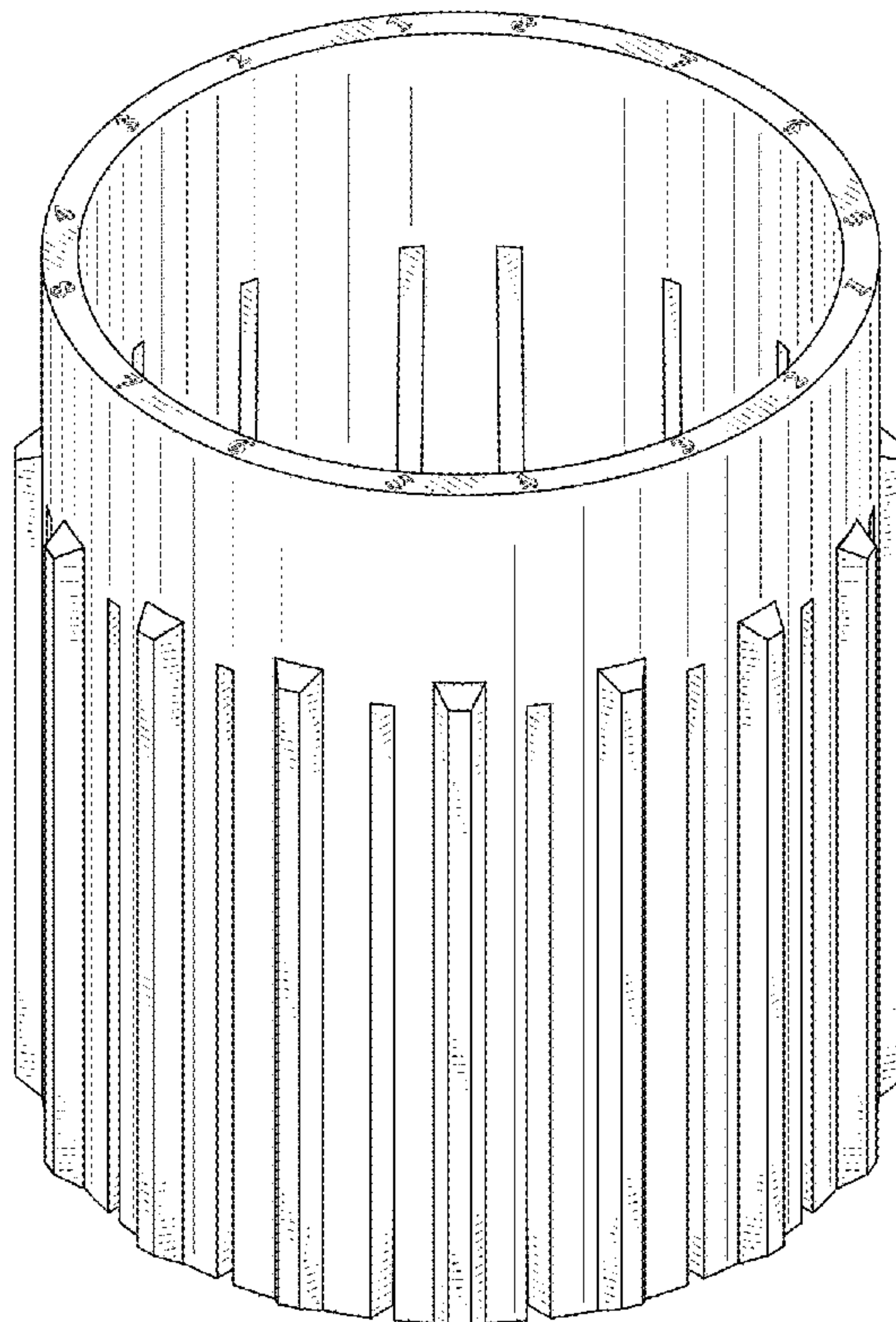
(57) **CLAIM**

The ornamental design for a slicing guide apparatus, as shown and described.

DESCRIPTION

FIG. 1 is an isometric view of the slicing guide apparatus; FIG. 2 is the front view of FIG. 1; FIG. 3 is the left side view of FIG. 1; FIG. 4 is the top view of FIGS. 1; and, FIG. 5 is the bottom view of FIG. 1. The slicing guide apparatus aids in the slicing of lettuce and other perishable and non-perishable food items.

1 Claim, 5 Drawing Sheets



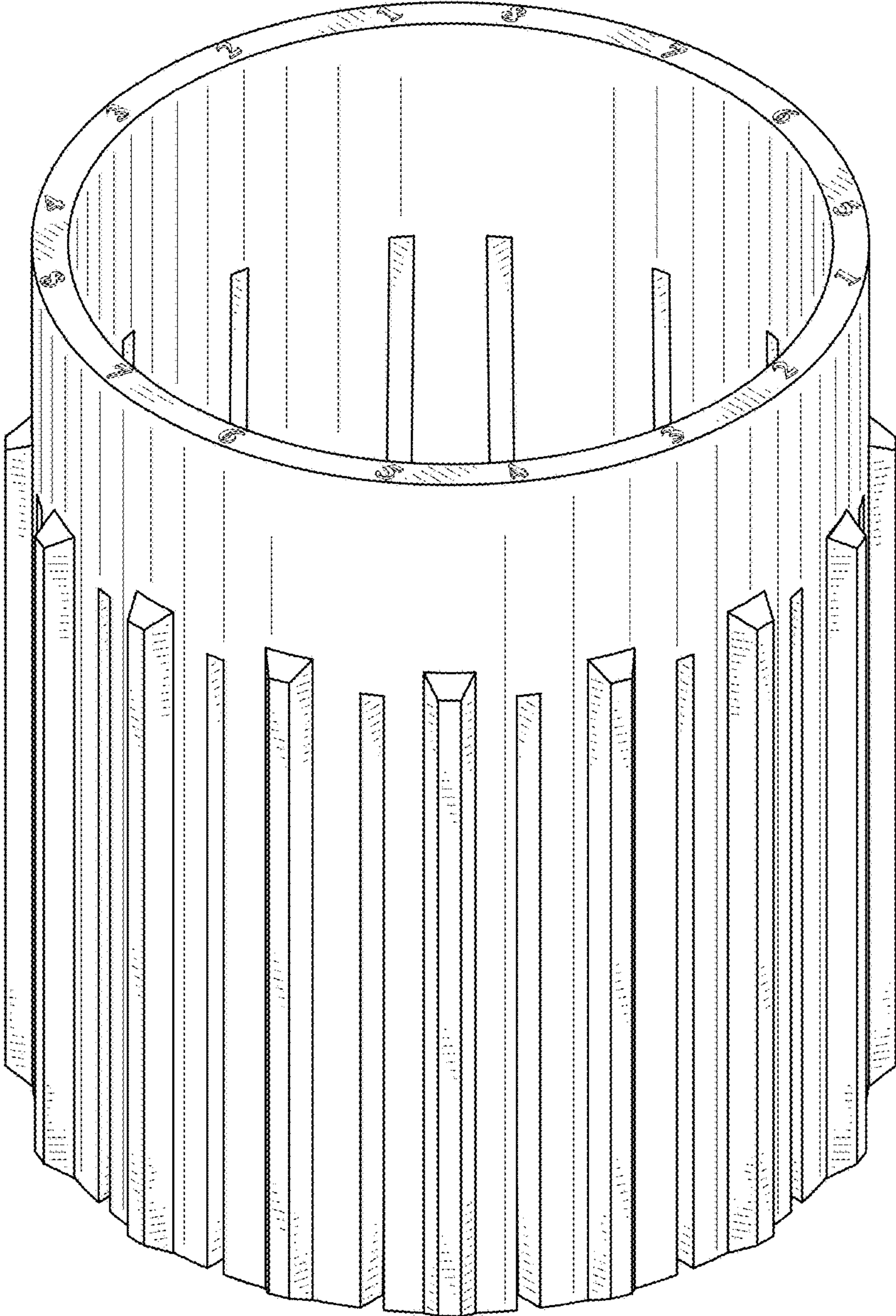


FIG. 1

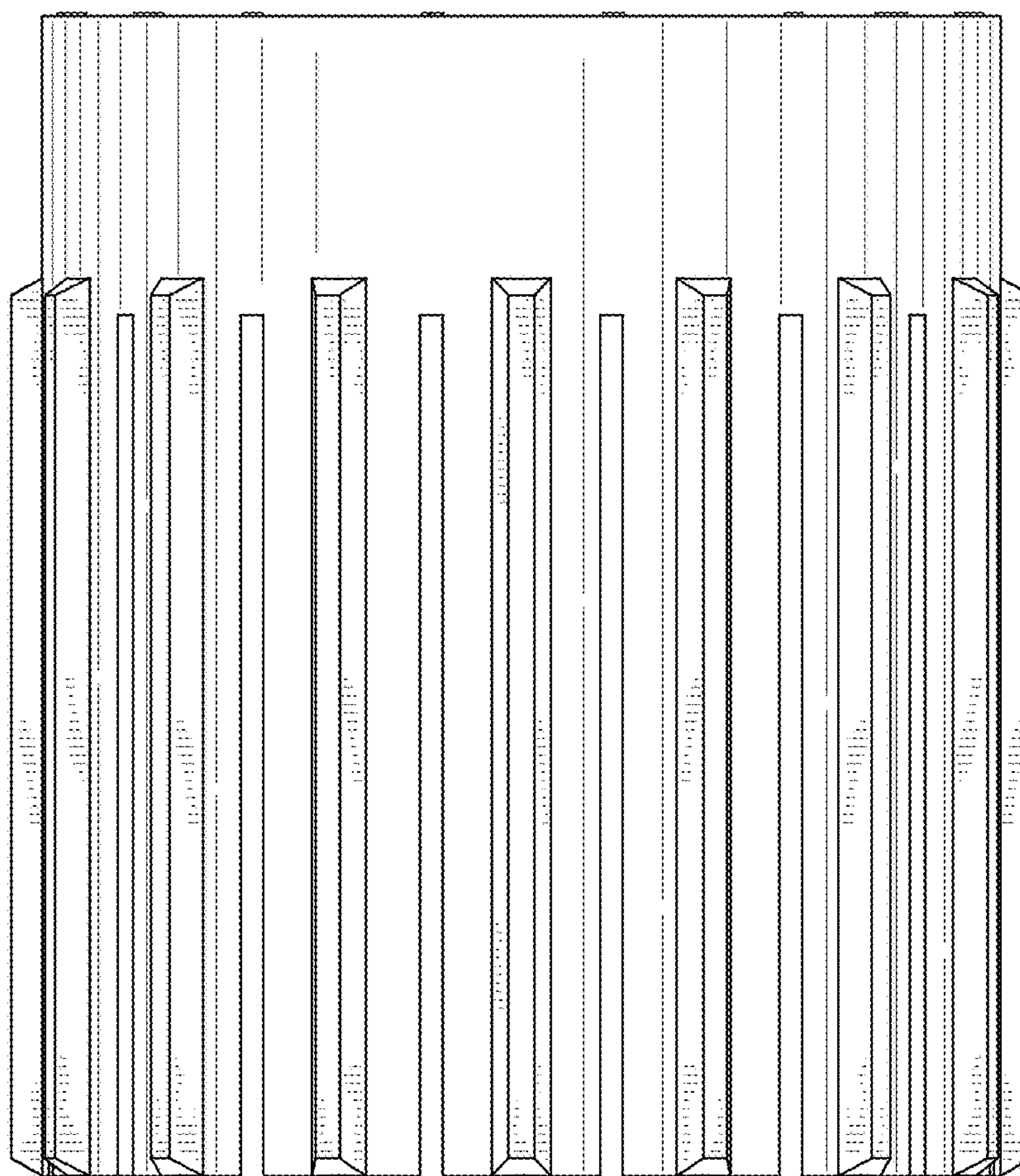


FIG. 2

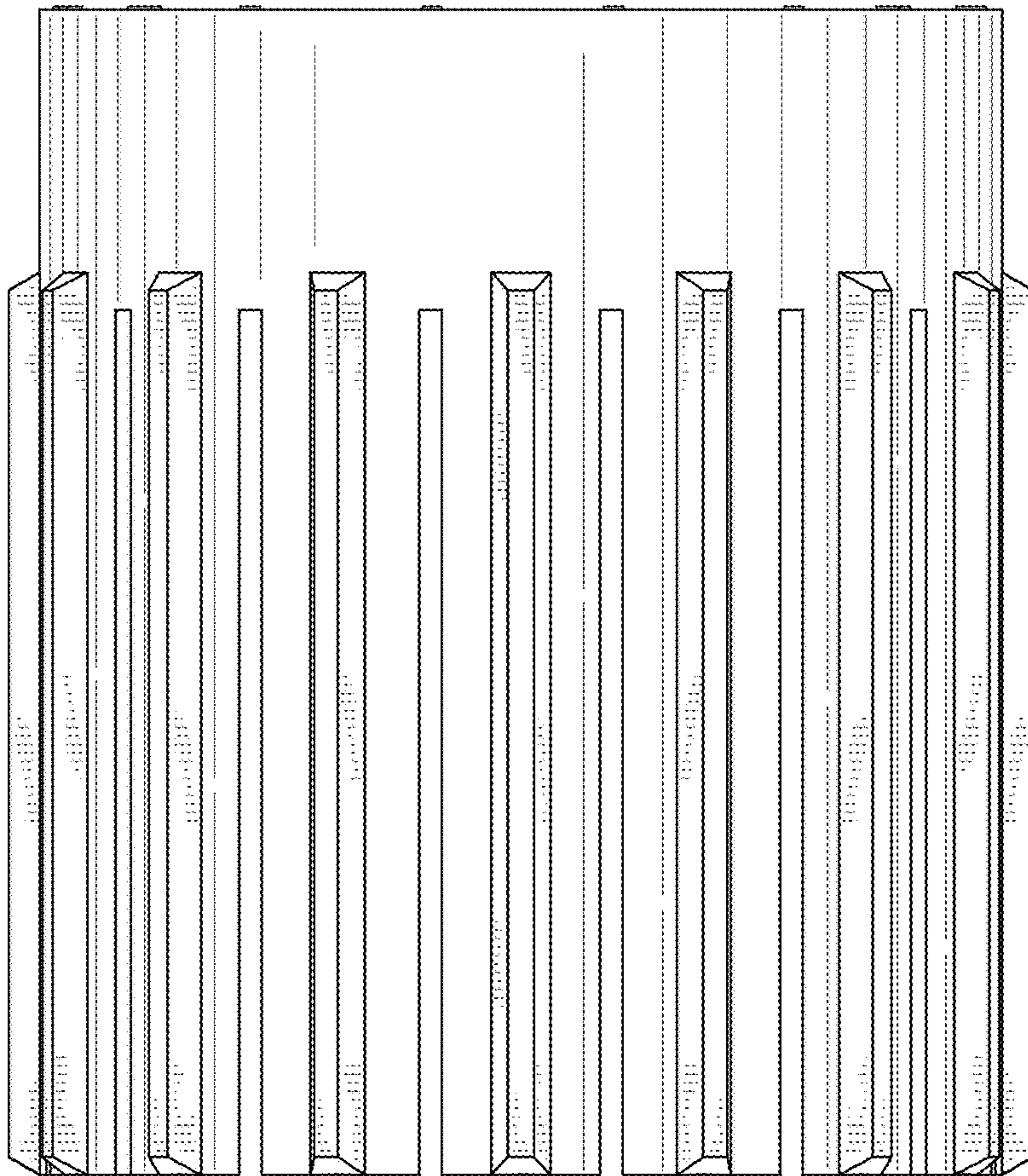


FIG. 3

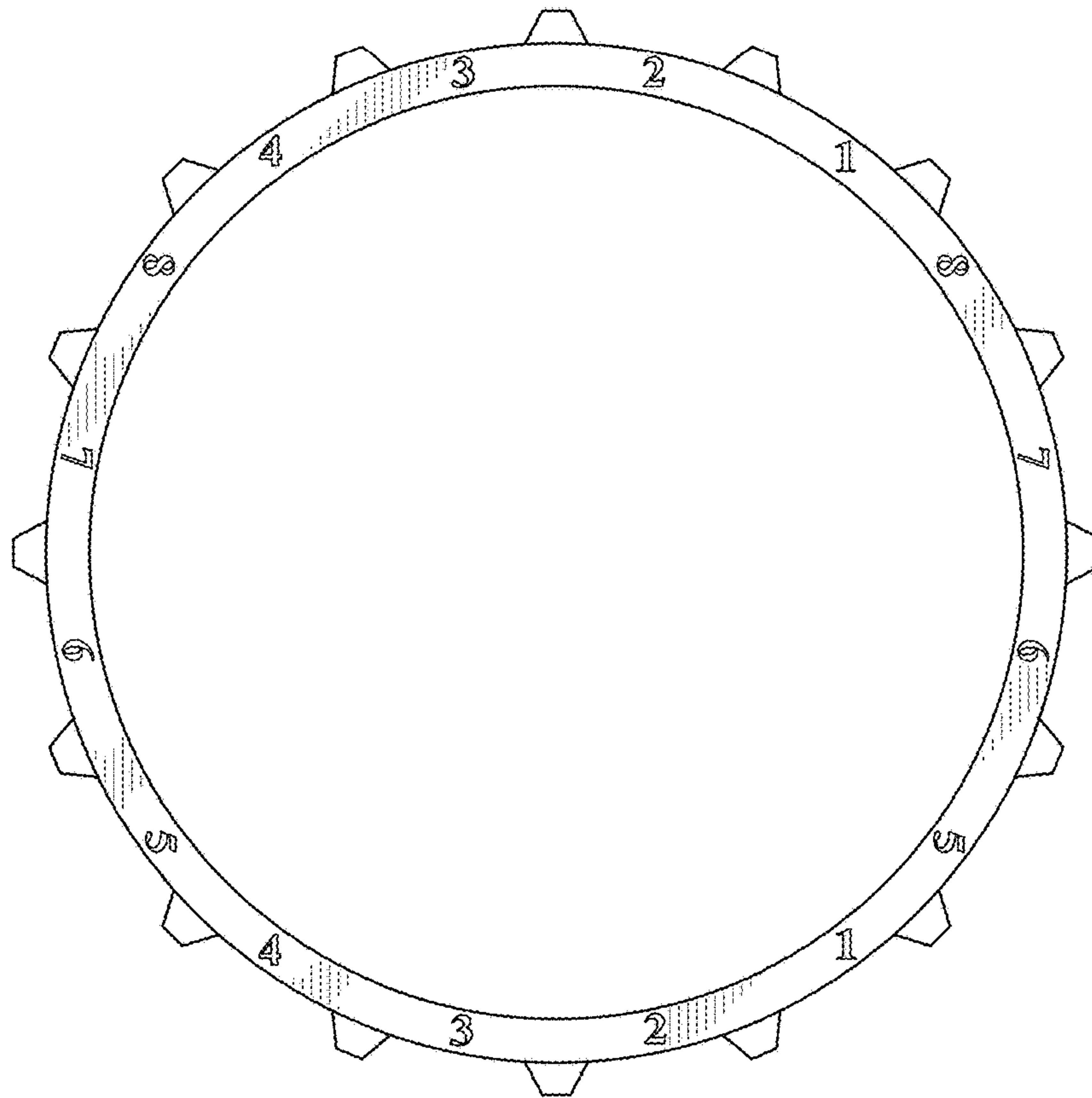


FIG. 4

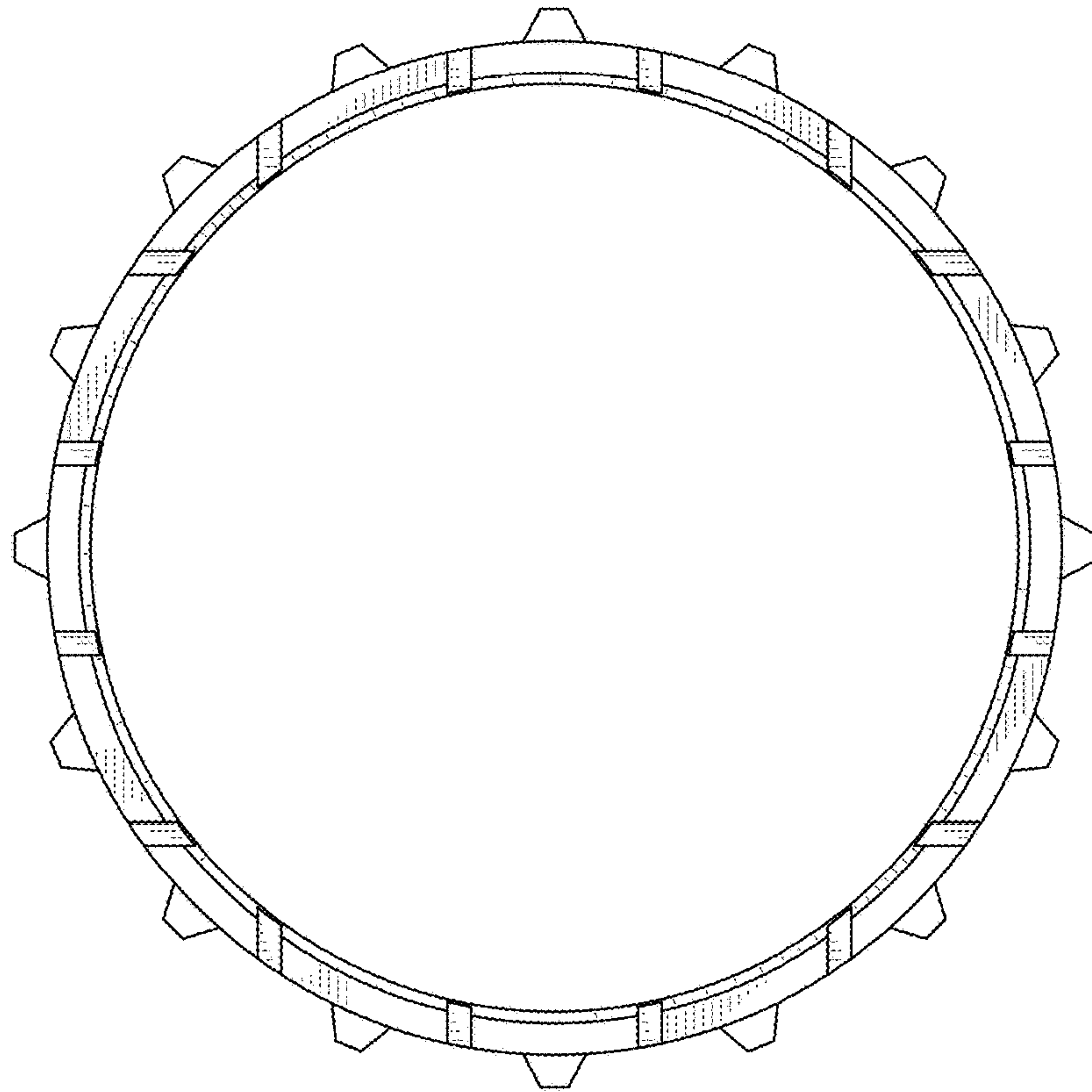


FIG. 5