



US00D795659S

(12) **United States Design Patent**  
**Chapman et al.**

(10) **Patent No.:** **US D795,659 S**

(45) **Date of Patent:** **\*\* Aug. 29, 2017**

(54) **APPLE SLICER**

(71) Applicants: **Dean B. Chapman**, New York, NY  
(US); **Sung N. Truong**, Cerritos, CA  
(US)

(72) Inventors: **Dean B. Chapman**, New York, NY  
(US); **Sung N. Truong**, Cerritos, CA  
(US)

(73) Assignee: **FRESHLINK PRODUCT  
DEVELOPMENT, LLC.**, New York,  
NY (US)

(\*\*) Term: **15 Years**

(21) Appl. No.: **29/551,123**

(22) Filed: **Jan. 11, 2016**

(51) **LOC (10) Cl.** ..... **07-04**

(52) **U.S. Cl.**  
USPC ..... **D7/673**

(58) **Field of Classification Search**  
USPC ..... D7/672-676, 693, 359, 412, 376-386;  
30/113.1-114

CPC . B26D 3/24; B26D 3/245; B26D 3/26; B26D  
1/553; B26D 1/30; B26D 7/1818; B26D  
3/06

See application file for complete search history.

(56) **References Cited**

**U.S. PATENT DOCUMENTS**

D547,620 S \* 7/2007 Walzak ..... D7/673  
D550,521 S \* 9/2007 Roberson ..... D7/672

D648,989 S \* 11/2011 Coursey ..... D7/673  
D690,170 S \* 9/2013 Harris ..... D7/673  
D716,109 S \* 10/2014 De Luca ..... D7/672  
D732,356 S \* 6/2015 Chen ..... D7/673  
D749,917 S \* 2/2016 Roberts ..... D7/673  
2009/0205514 A1\* 8/2009 Cheng ..... B26D 3/26  
99/565  
2009/0241344 A1\* 10/2009 Mastroianni ..... B26D 3/26  
30/114  
2013/0025130 A1\* 1/2013 Bagley ..... B26D 1/547  
30/114  
2016/0106140 A1\* 4/2016 O'Halloran ..... B26D 3/26  
83/13

\* cited by examiner

*Primary Examiner* — Susan Bennett Hattan

*Assistant Examiner* — Brett Miller

(74) *Attorney, Agent, or Firm* — Klauber & Jackson LLC

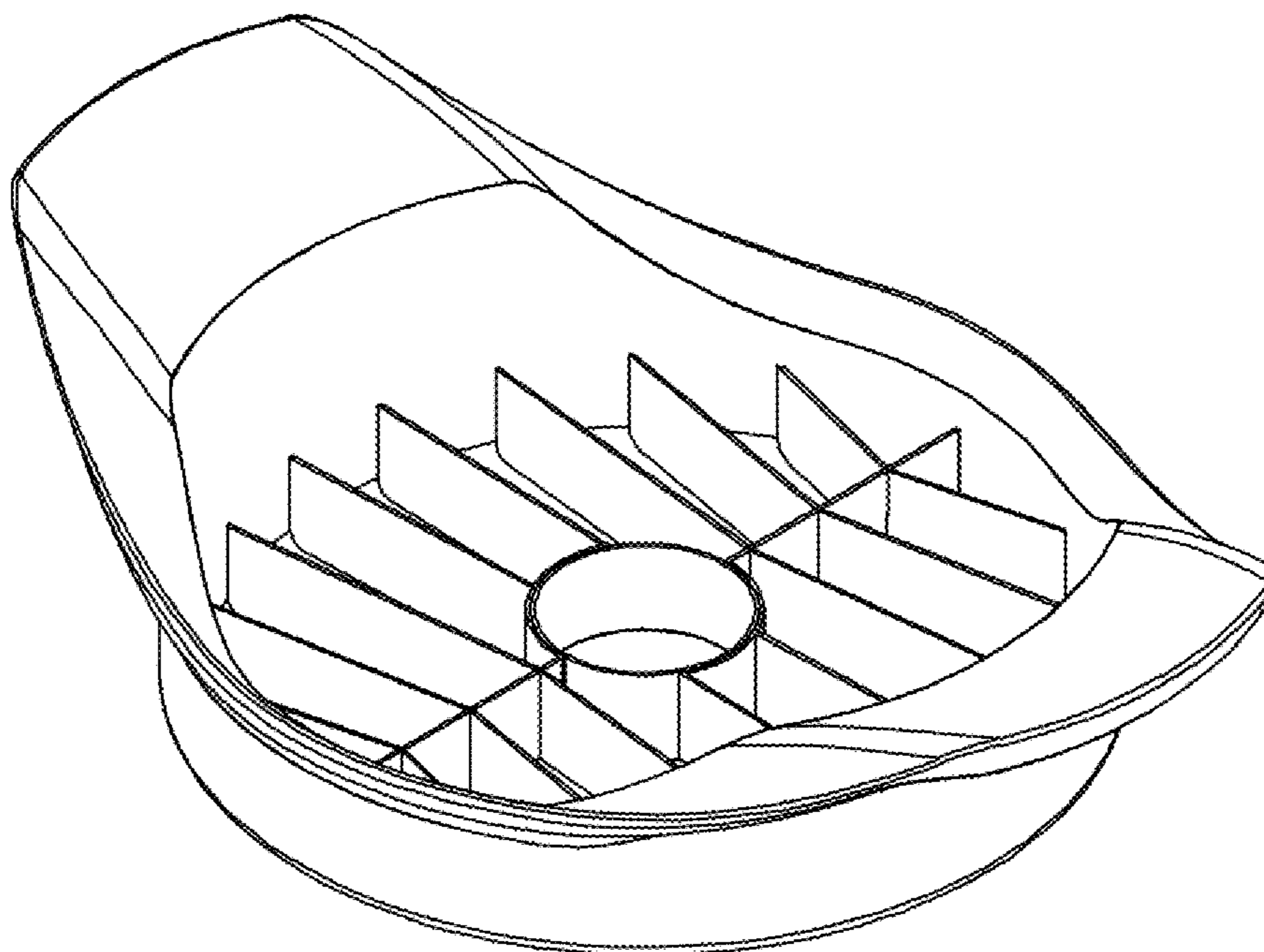
(57) **CLAIM**

The ornamental design for an apple slicer, as shown and described.

**DESCRIPTION**

FIG. 1 is a perspective view of the top, front and left side of an apple slicer showing our new design;  
FIG. 2 is a top view thereof;  
FIG. 3 is a bottom view thereof;  
FIG. 4 is a right side view, the left side view being the mirror image thereof; and,  
FIG. 5 is a front view, the rear view being the mirror image thereof.

**1 Claim, 3 Drawing Sheets**



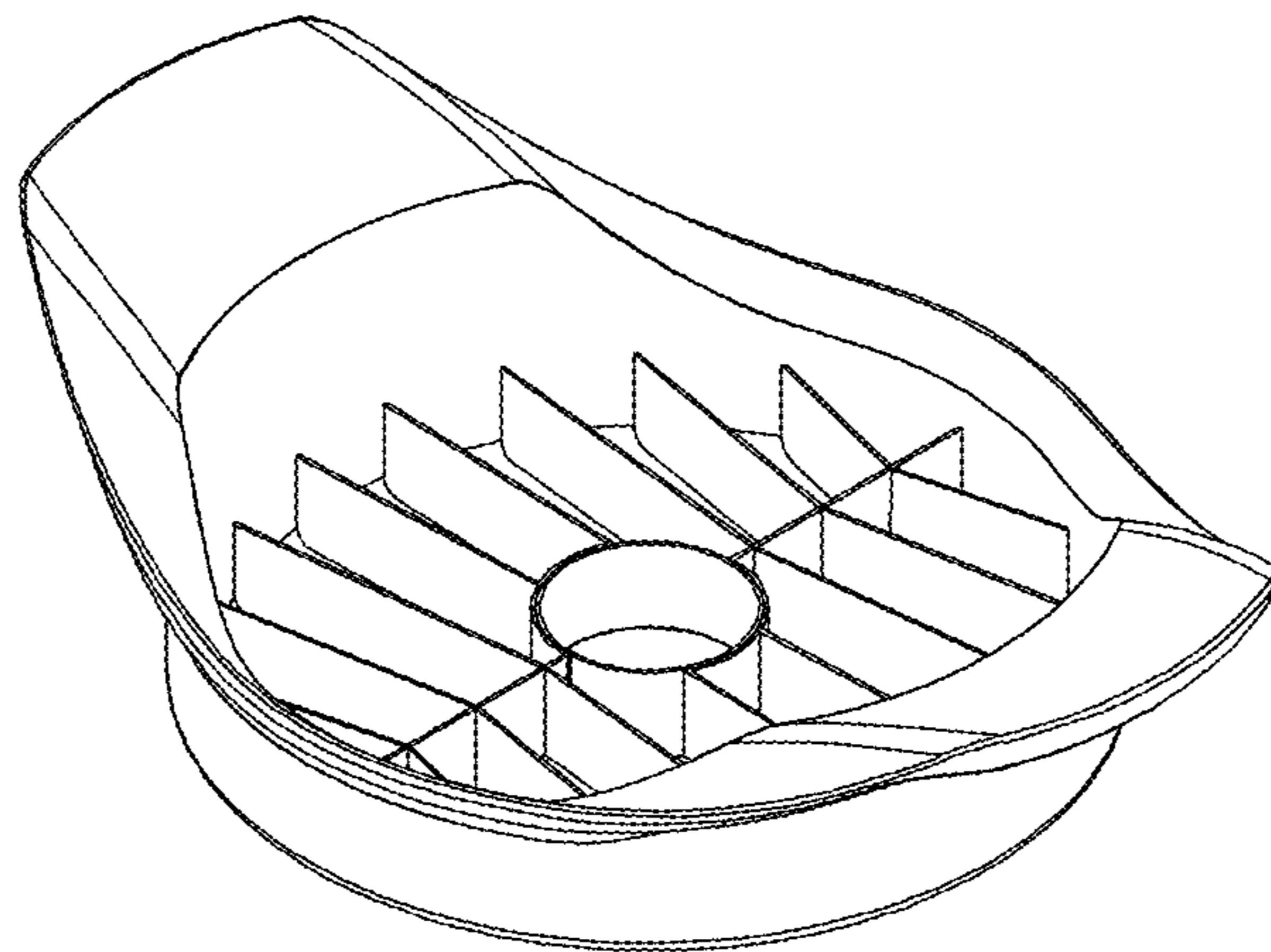


Fig. 1

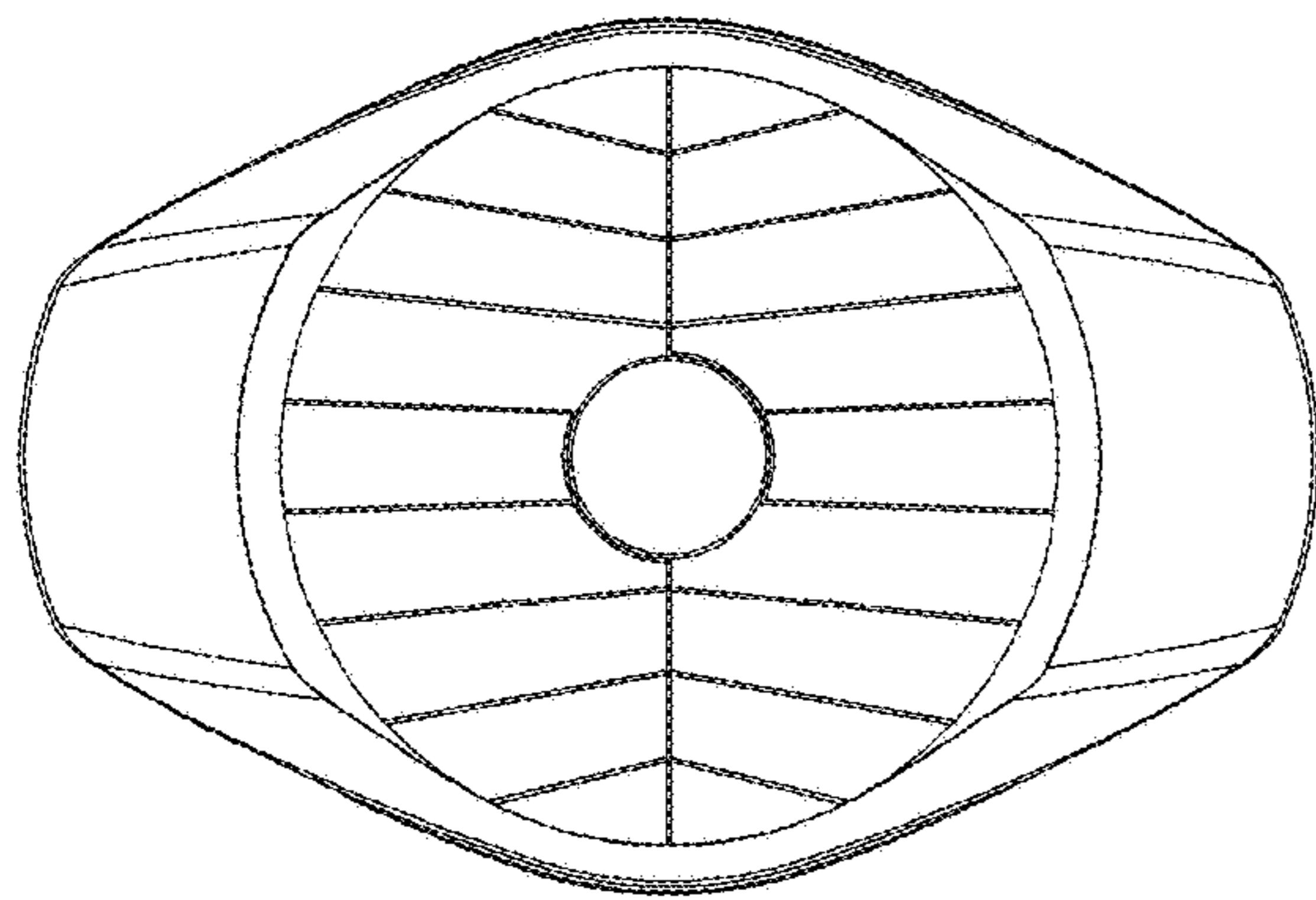


Fig. 2

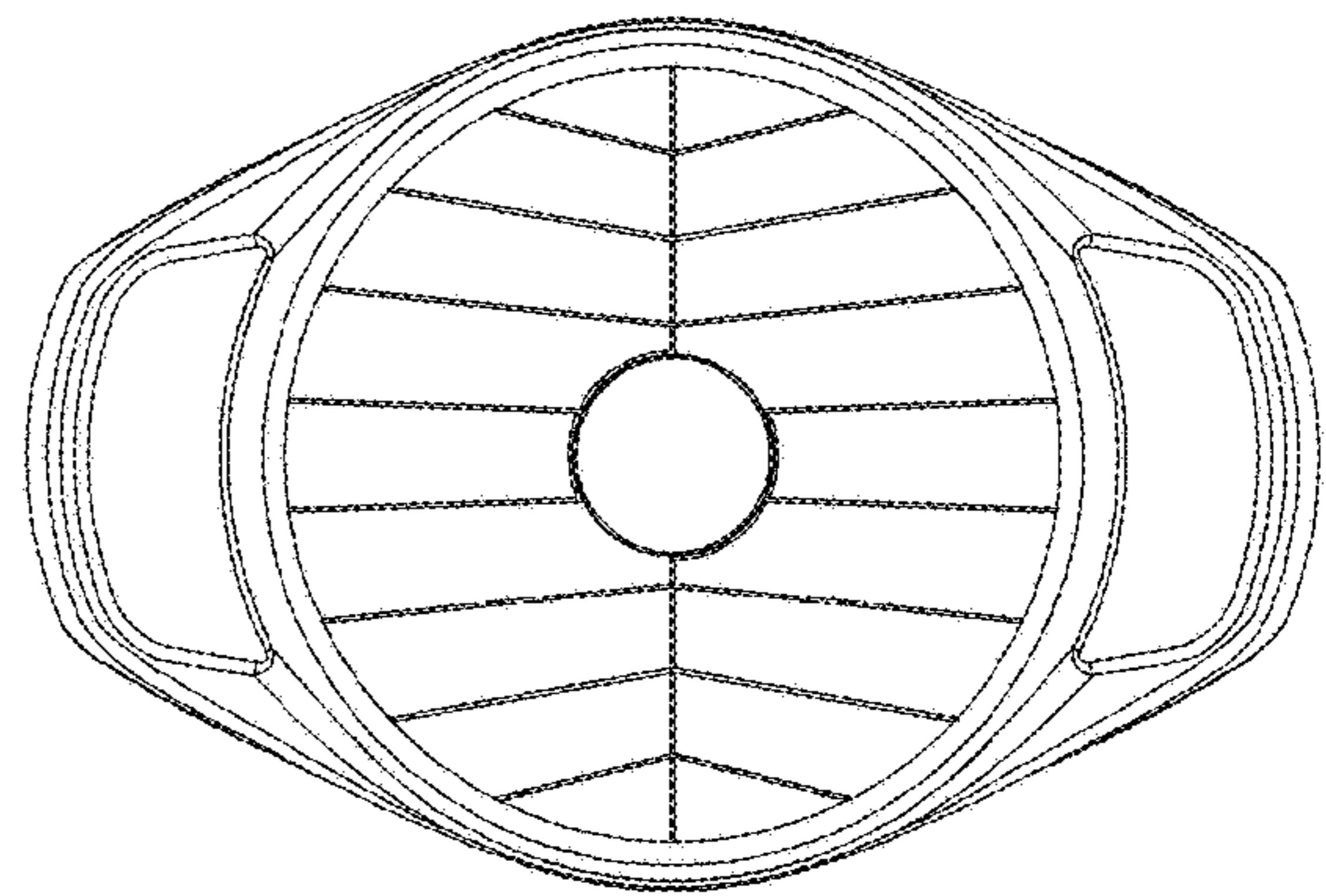


Fig. 3

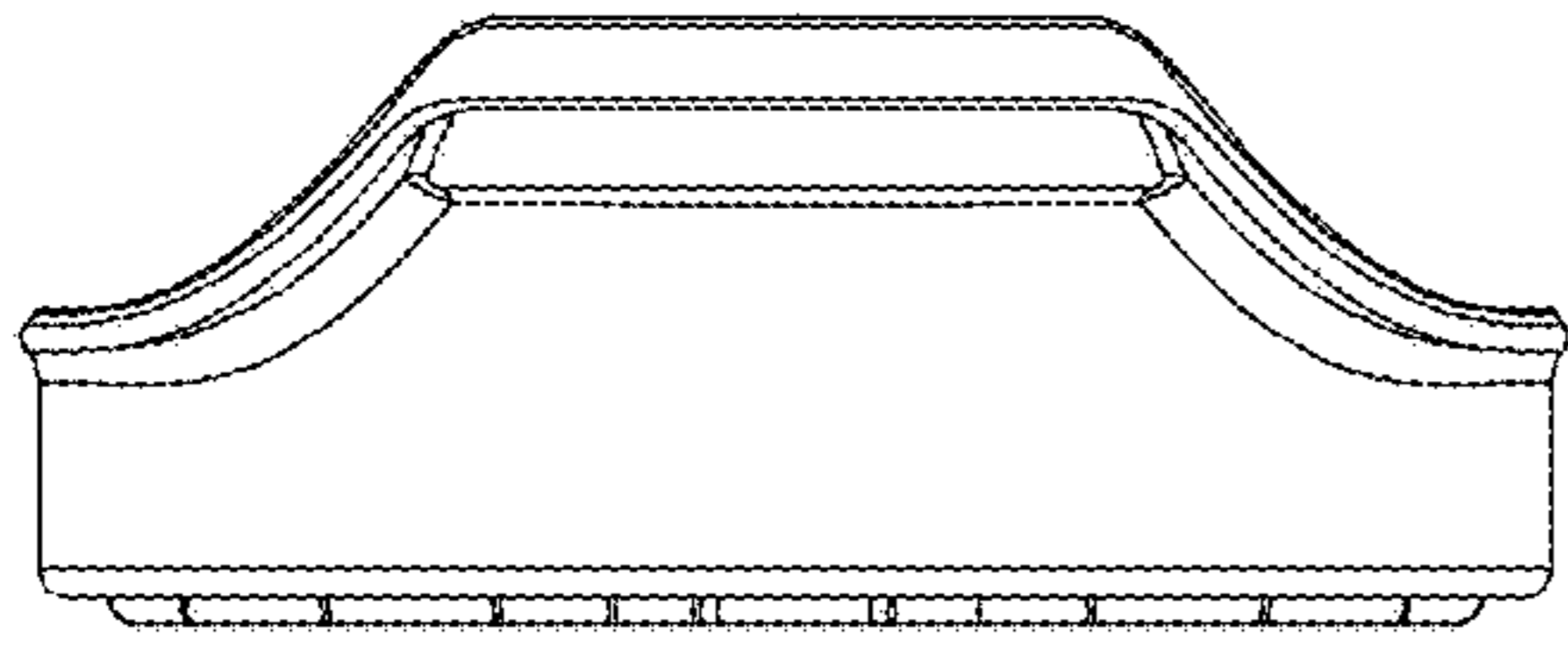


Fig. 4

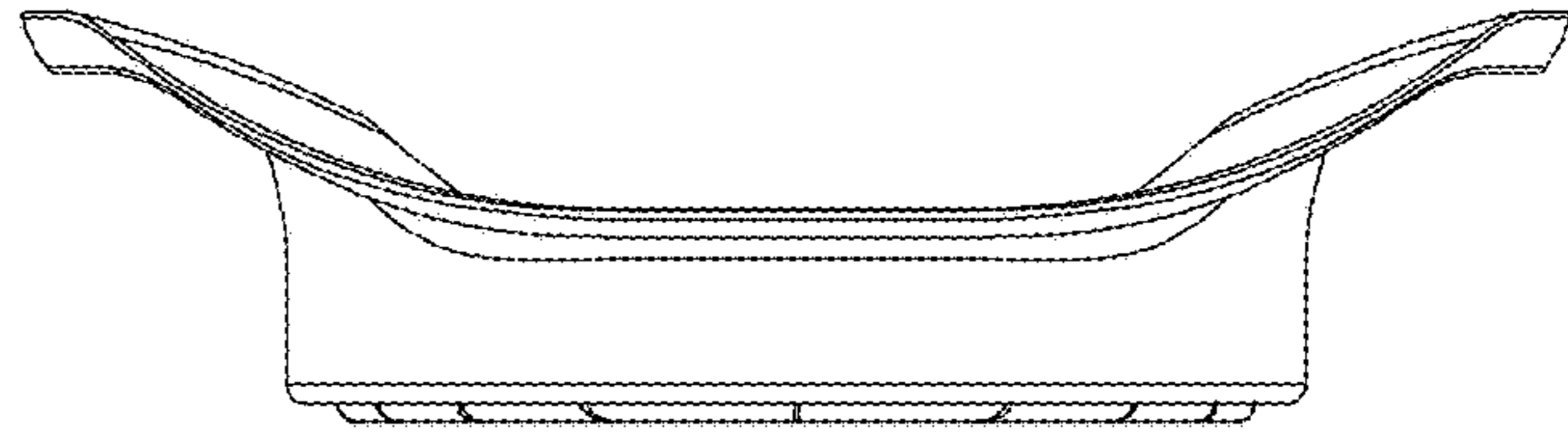


Fig. 5